



US00D549655S

(12) **United States Design Patent**
Kent et al.

(10) **Patent No.:** **US D549,655 S**

(45) **Date of Patent:** **** Aug. 28, 2007**

(54) **SURGE PROTECTOR**

(75) Inventors: **Michael Kent**, Cumberland, RI (US);
David G. Honan, Concord, MA (US);
Zenas Lu, Cambridge, MA (US)

(73) Assignee: **Staples the Office Superstore, LLC**,
Framingham, MA (US)

(**) Term: **14 Years**

(21) Appl. No.: **29/268,836**

(22) Filed: **Nov. 14, 2006**

(51) **LOC (8) Cl.** **13-03**

(52) **U.S. Cl.** **D13/139.6**

(58) **Field of Classification Search** D13/137.1,
D13/137.3, 137.4, 139.1, 139.4, 139.6-139.8,
D13/124, 160, 162, 164, 178, 184; 361/118,
361/119; 439/106-108, 188, 535, 650-654
See application file for complete search history.

(56) **References Cited**

U.S. PATENT DOCUMENTS

- 3,218,596 A * 11/1965 Oehlerking et al. 439/107
- D301,576 S 6/1989 Wang
- 5,071,367 A 12/1991 Luu
- D342,055 S * 12/1993 Wakefield D13/160
- 5,292,257 A 3/1994 Milan
- D349,885 S * 8/1994 Lee D13/139.8
- D350,939 S 9/1994 Rossman et al.
- D350,940 S 9/1994 Rossman et al.
- D356,294 S 3/1995 Fladung
- D368,467 S 4/1996 Parshad
- D368,893 S 4/1996 Harwood et al.
- D369,784 S * 5/1996 Pogue et al. D13/160
- D382,855 S * 8/1997 Salmond et al. D13/139.8
- 5,658,158 A 8/1997 Milan
- D399,824 S 10/1998 Heung et al.
- D399,825 S * 10/1998 Heung et al. D13/139.6
- D409,978 S 5/1999 Stekelenburg
- 5,906,517 A 5/1999 Crane et al.
- D413,571 S * 9/1999 Glass D13/139.4
- 6,004,157 A * 12/1999 Glass 439/574

- D427,973 S 7/2000 Giese
- 6,155,880 A * 12/2000 Yu 439/652
- 6,179,665 B1 1/2001 Rossman et al.
- 6,200,159 B1 * 3/2001 Chou 439/535
- D444,126 S * 6/2001 Chura et al. D13/139.8
- D446,189 S 8/2001 Lee
- D446,503 S 8/2001 Lee
- 6,410,994 B1 6/2002 Jones et al.
- 6,443,772 B1 9/2002 Chen
- 6,454,584 B1 9/2002 Milan
- D467,875 S 12/2002 Barger et al.
- 6,573,617 B2 6/2003 Jones et al.
- D484,098 S * 12/2003 Lee D13/139.8
- 6,755,676 B2 6/2004 Milan
- 6,811,281 B1 * 11/2004 Hsiao 362/641
- 2001/0040409 A1 11/2001 Jones et al.

* cited by examiner

Primary Examiner—Alan P. Douglas

Assistant Examiner—Rosemary K. Tarcza

(74) *Attorney, Agent, or Firm*—Wolf Greenfield & Sacks

(57) **CLAIM**

The ornamental design for a surge protector, as shown and described.

DESCRIPTION

FIG. 1 is a side, top, perspective view of the surge protector with elements thereof and thereon shown in phantom;

FIG. 2 is a front view thereof;

FIG. 3 is a rear view thereof;

FIG. 4 is a left side view thereof;

FIG. 5 is a right side view thereof;

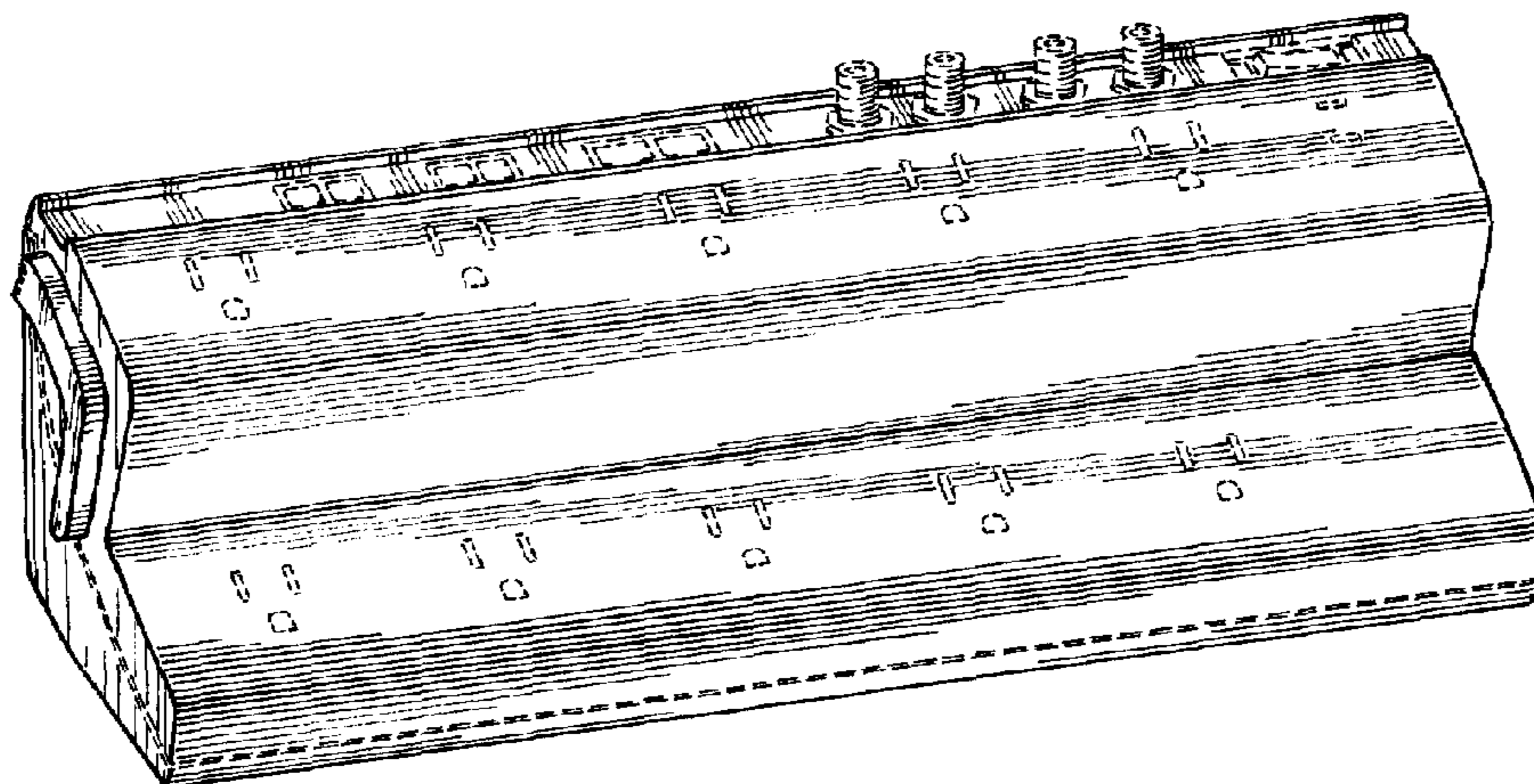
FIG. 6 is a top view thereof;

FIG. 7 is a bottom view thereof; and,

FIG. 8 is a side, top perspective view similar to FIG. 1, with a portion of the surge protector shown in an extended position according to one embodiment.

The broken lines are for illustrative purposes only and form no part of the claimed design.

1 Claim, 3 Drawing Sheets



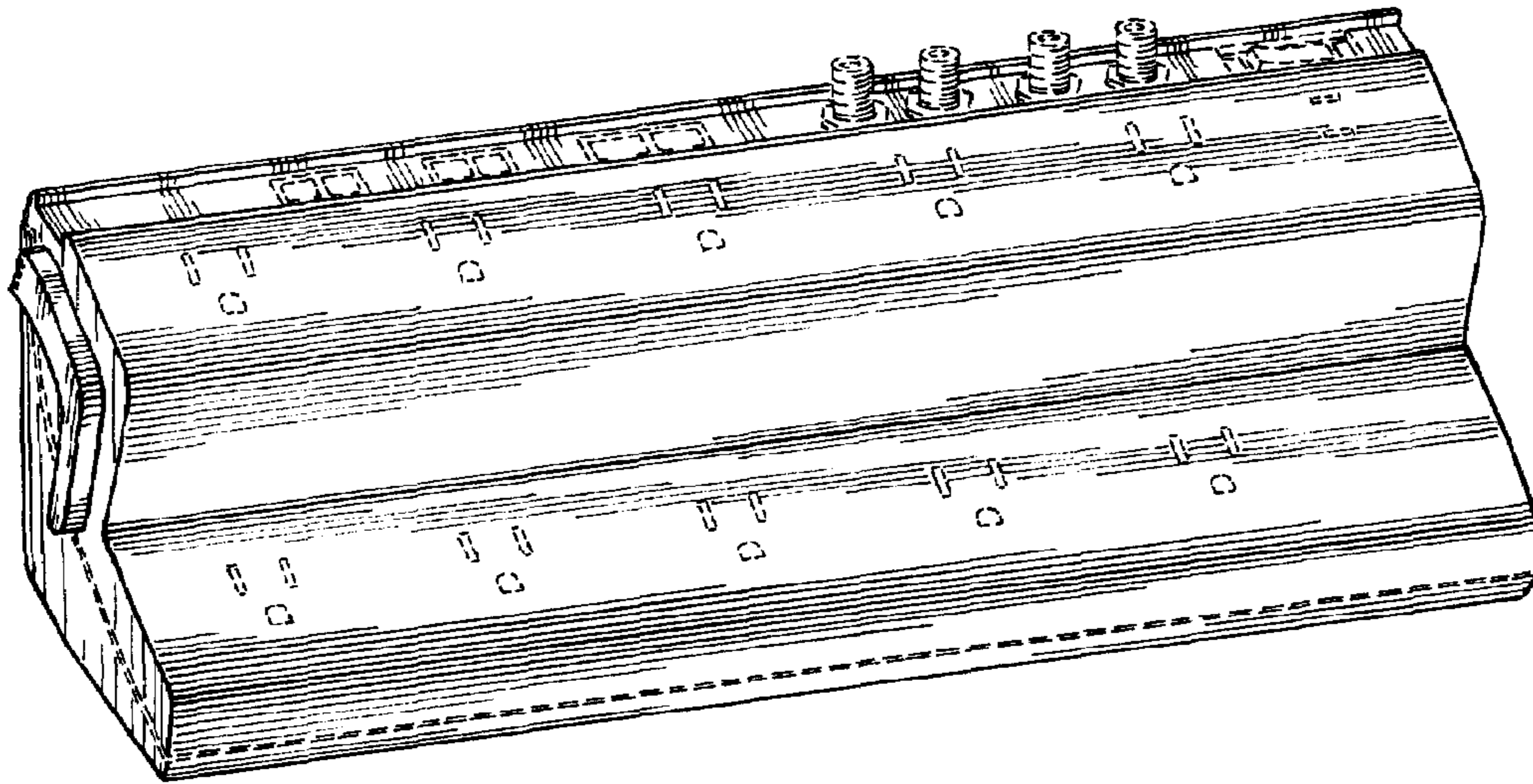


Fig. 1

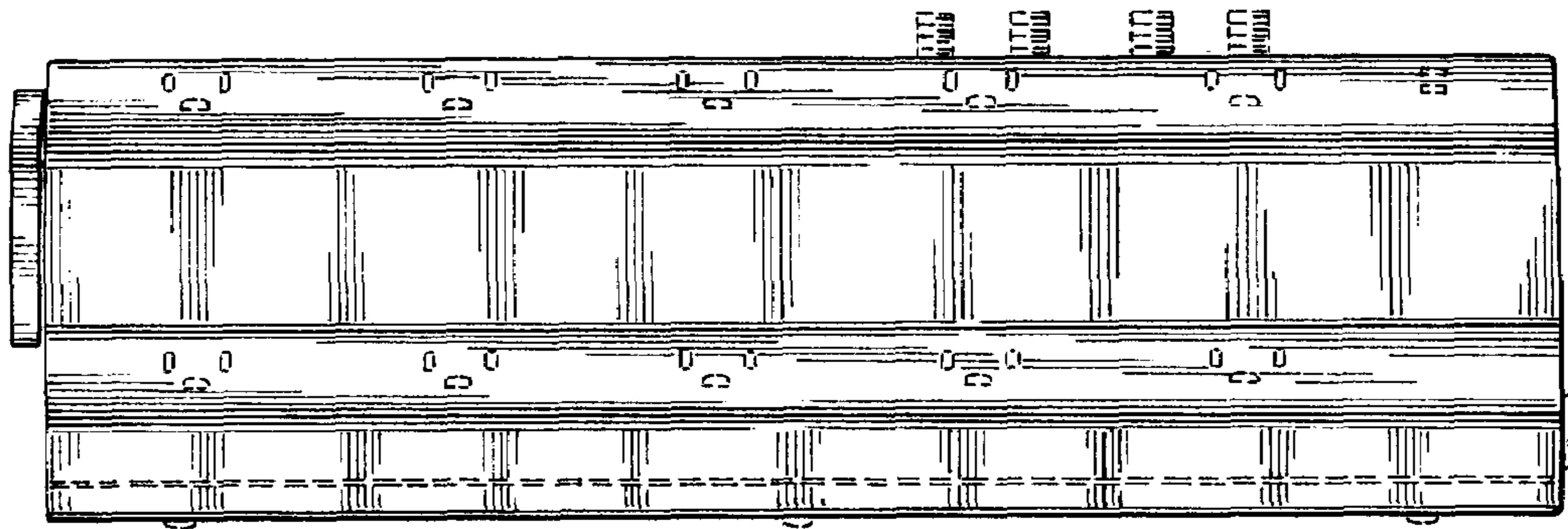


Fig. 2

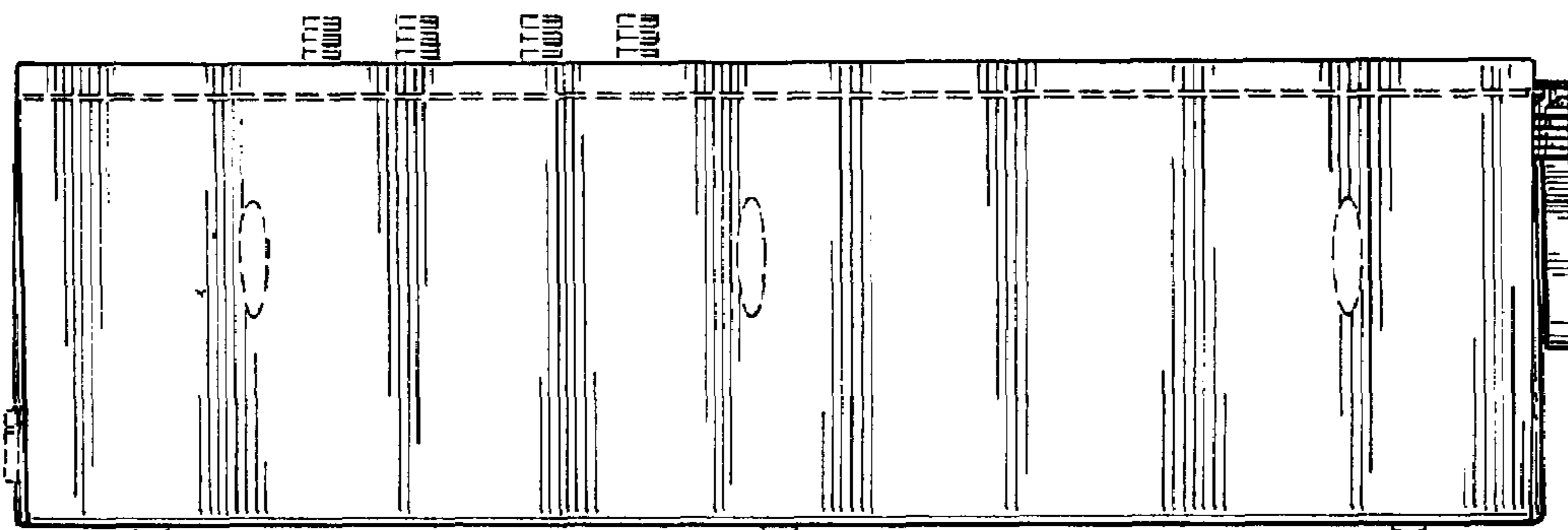


Fig. 3

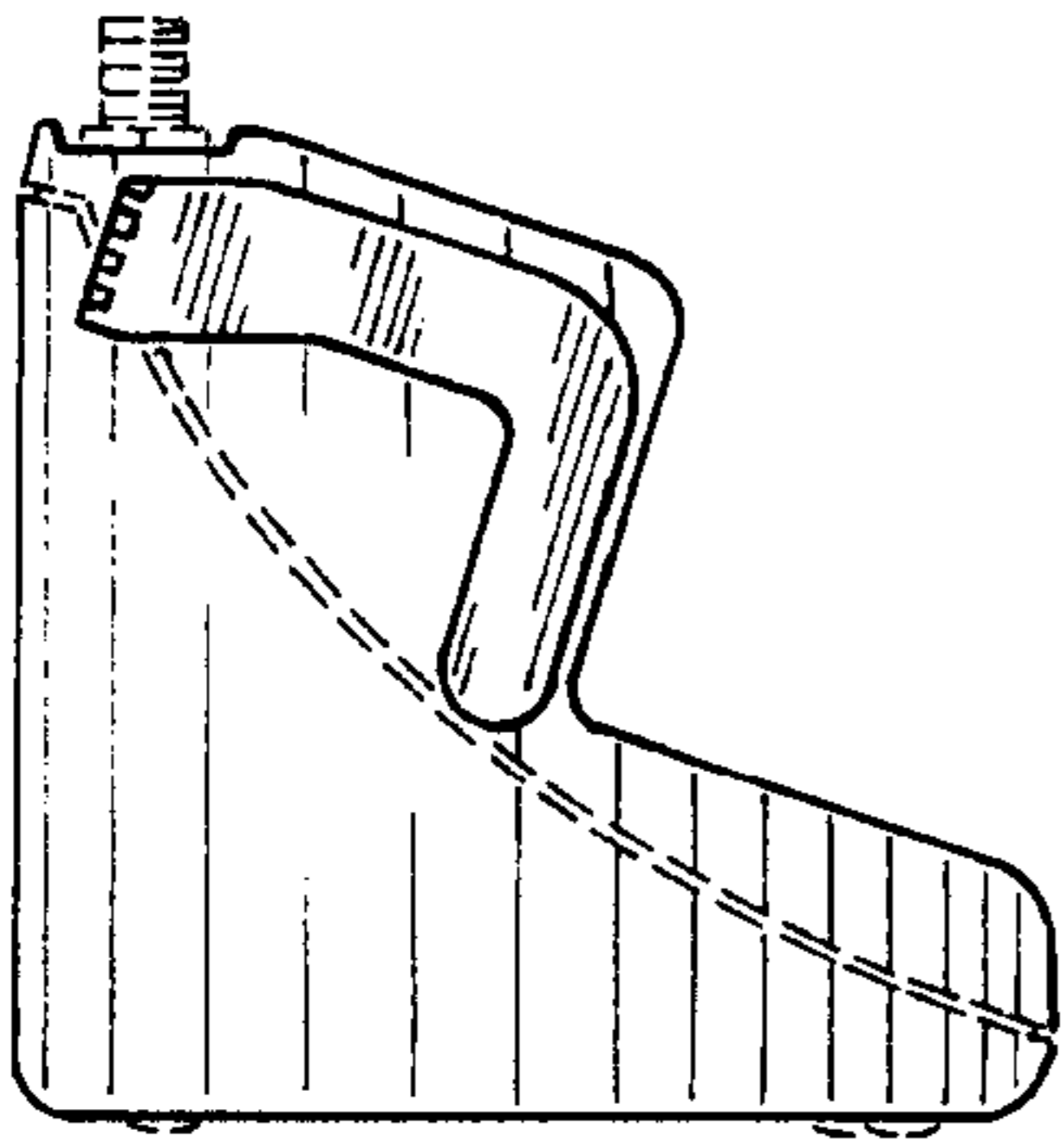


Fig. 4

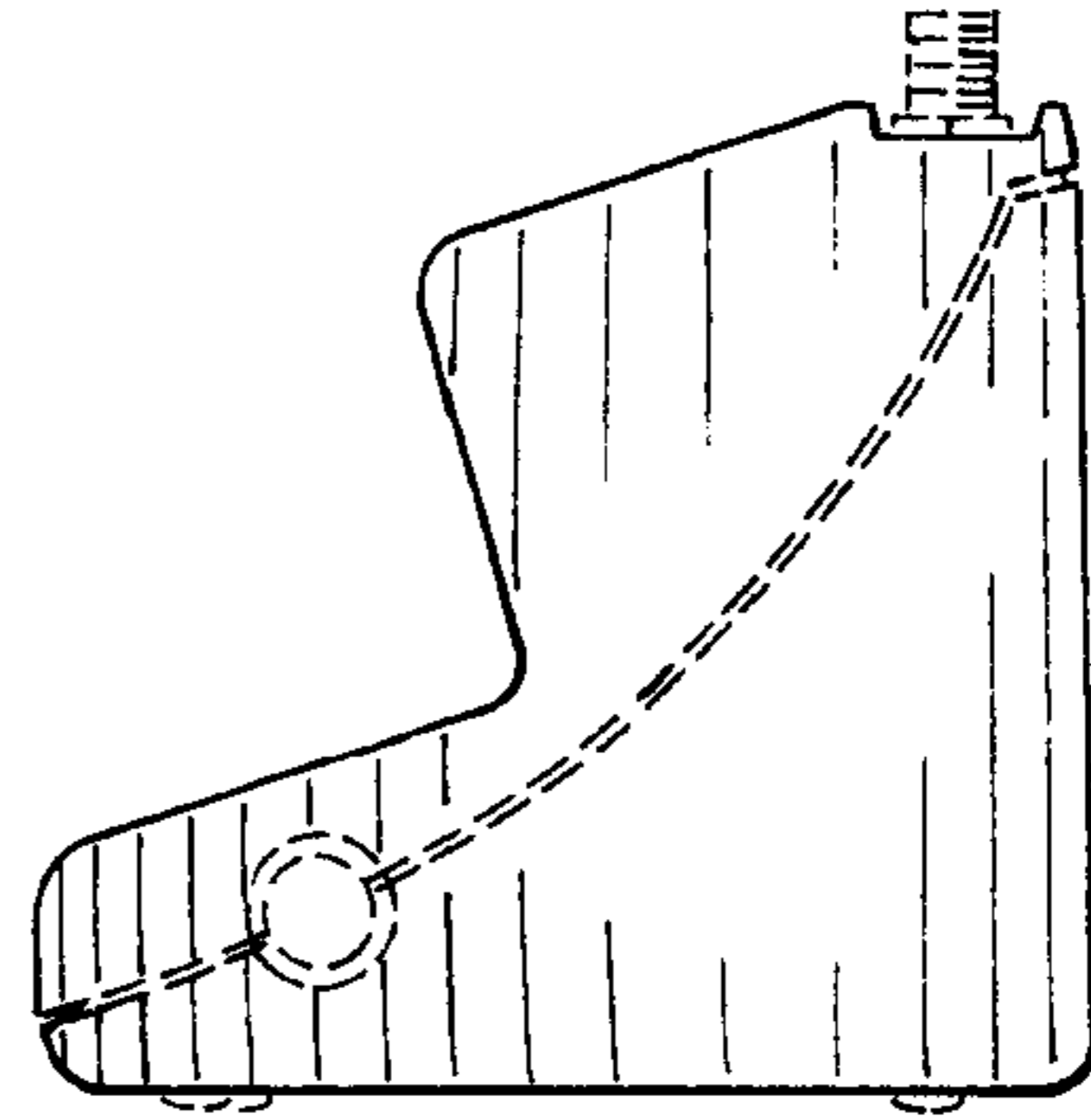


Fig. 5

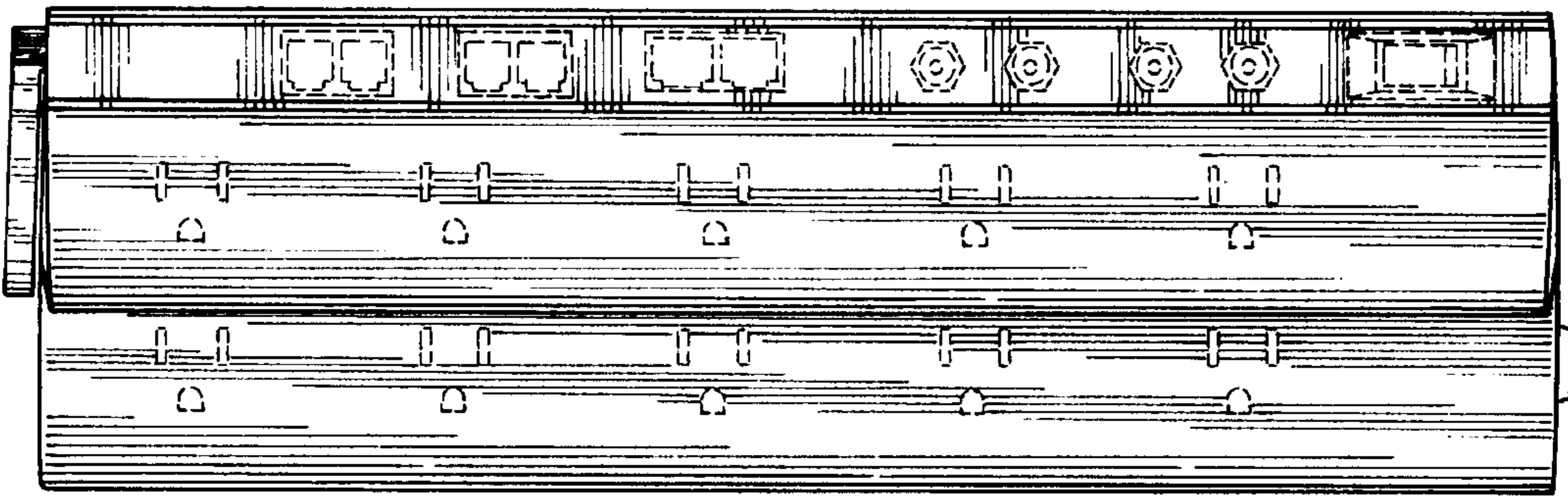


Fig. 6

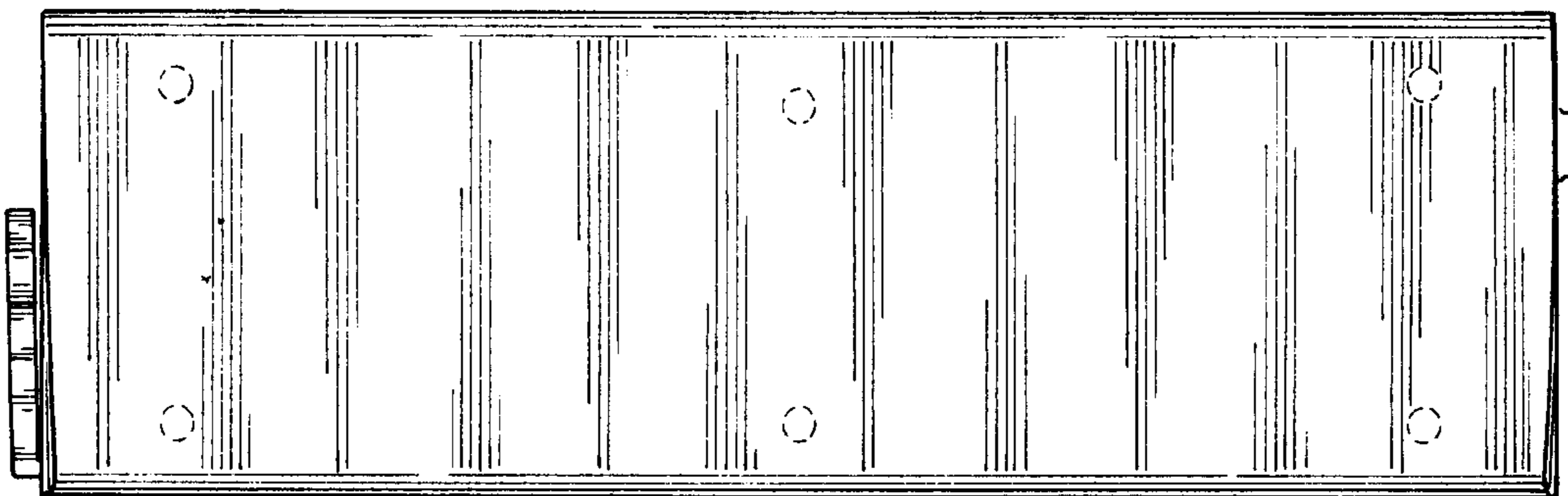


Fig. 7

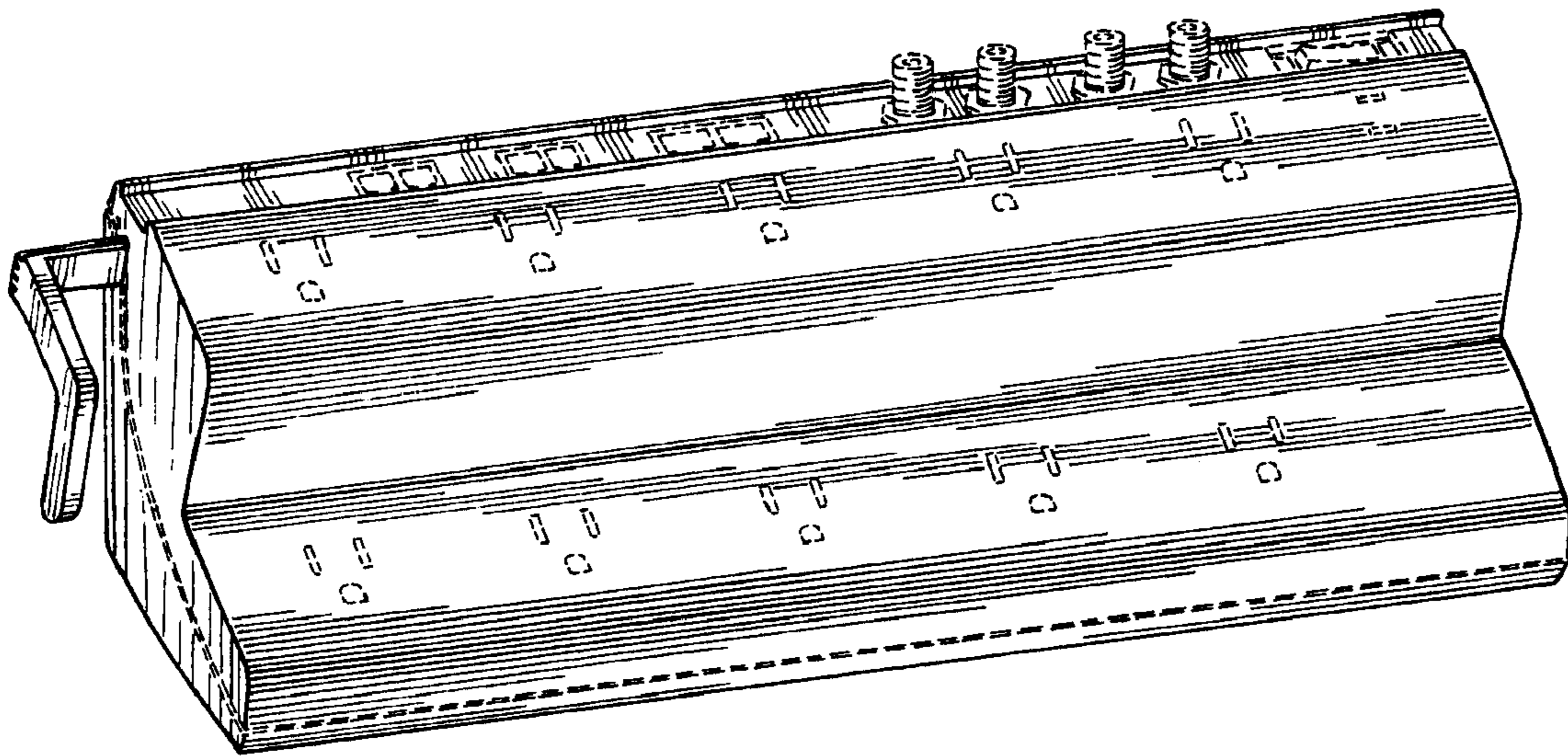


Fig. 8