



US00D549654S

(12) **United States Design Patent**
Kent et al.

(10) **Patent No.:** **US D549,654 S**

(45) **Date of Patent:** **** Aug. 28, 2007**

(54) **SURGE PROTECTOR**

(75) Inventors: **Michael Kent**, Cumberland, RI (US);
David G. Honan, Concord, MA (US);
Zenas Lu, Cambridge, MA (US)

(73) Assignee: **Staples the Office Superstore, LLC**,
Framingham, MA (US)

(**) Term: **14 Years**

(21) Appl. No.: **29/268,092**

(22) Filed: **Oct. 30, 2006**

(51) **LOC (8) Cl.** **13-03**

(52) **U.S. Cl.** **D13/139.6**

(58) **Field of Classification Search** D13/137.1,
D13/137.3, 137.4, 139.1, 139.4, 139.6-139.8,
D13/124, 160, 162, 164, 178, 184; 361/118,
361/119; 439/106-108, 188, 535, 650-654
See application file for complete search history.

(56) **References Cited**

U.S. PATENT DOCUMENTS

D301,576 S	6/1989	Wang	
5,071,367 A	12/1991	Luu	
5,292,257 A	3/1994	Milan	
D350,939 S	9/1994	Rossmann et al.	
D350,940 S	9/1994	Rossmann et al.	
D356,294 S	3/1995	Fladung	
D368,467 S *	4/1996	Parshad	D13/139.8
D368,893 S *	4/1996	Harwood et al.	D13/139.8
D369,784 S	5/1996	Pogue et al.	
D370,458 S *	6/1996	Fladung et al.	D13/139.8
D380,733 S *	7/1997	Parshad	D13/139.6
D382,855 S *	8/1997	Salmond et al.	D13/139.8
5,658,158 A	8/1997	Milan	
D390,190 S *	2/1998	Stekelenburg	D13/139.7
D399,824 S	10/1998	Heung et al.	
D409,978 S *	5/1999	Stekelenburg	D13/139.6
5,906,517 A	5/1999	Crane et al.	
D427,973 S	7/2000	Giese	
D431,529 S *	10/2000	Giese	D13/139.6

6,179,665 B1	1/2001	Rossmann et al.	
D446,189 S	8/2001	Lee	
D446,503 S	8/2001	Lee	
D458,225 S *	6/2002	Stekelenburg	D13/139.8
6,410,994 B1	6/2002	Jones et al.	
6,443,772 B1	9/2002	Chen	
6,454,584 B1	9/2002	Milan	
D467,875 S	12/2002	Barger et al.	
6,573,617 B2	6/2003	Jones et al.	
6,755,676 B2	6/2004	Milan	
D506,441 S *	6/2005	Lichtscheidl et al.	D13/139.1
D518,780 S *	4/2006	Chang	D13/137.3
D520,951 S *	5/2006	Mori et al.	D13/139.8
D532,751 S *	11/2006	Chesebro et al.	D13/139.6
2001/0040409 A1	11/2001	Jones et al.	

* cited by examiner

Primary Examiner—Alan P. Douglas

Assistant Examiner—Rosemary K. Tarcza

(74) *Attorney, Agent, or Firm*—Wolf Greenfield & Sacks

(57) **CLAIM**

The ornamental design for a surge protector, as shown and described.

DESCRIPTION

FIG. 1 is a side, top, perspective view of the surge protector with elements thereof and thereon shown in phantom;

FIG. 2 is a front view thereof;

FIG. 3 is a rear view thereof;

FIG. 4 is a left side view thereof;

FIG. 5 is a right side view thereof;

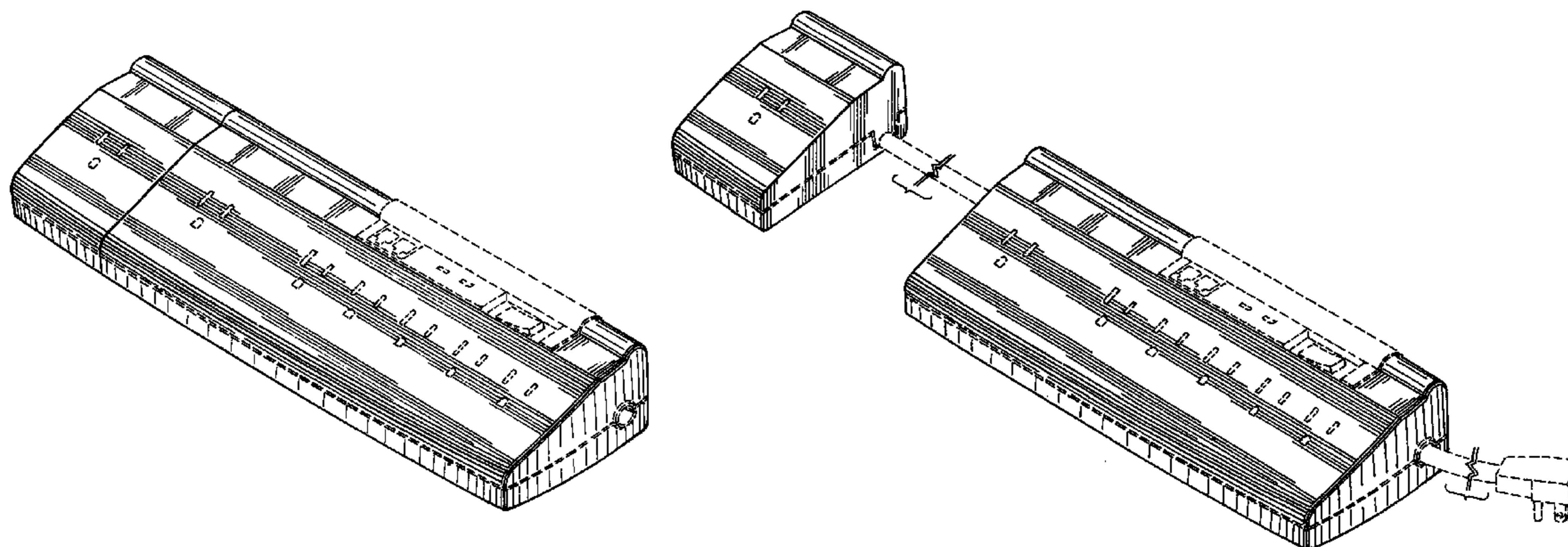
FIG. 6 is a top view thereof; and

FIG. 7 is a bottom view thereof; and,

FIG. 8 is a side, top, perspective view thereof in an extended position.

The broken lines are for illustrative purposes only and form no part of the claimed design.

1 Claim, 3 Drawing Sheets



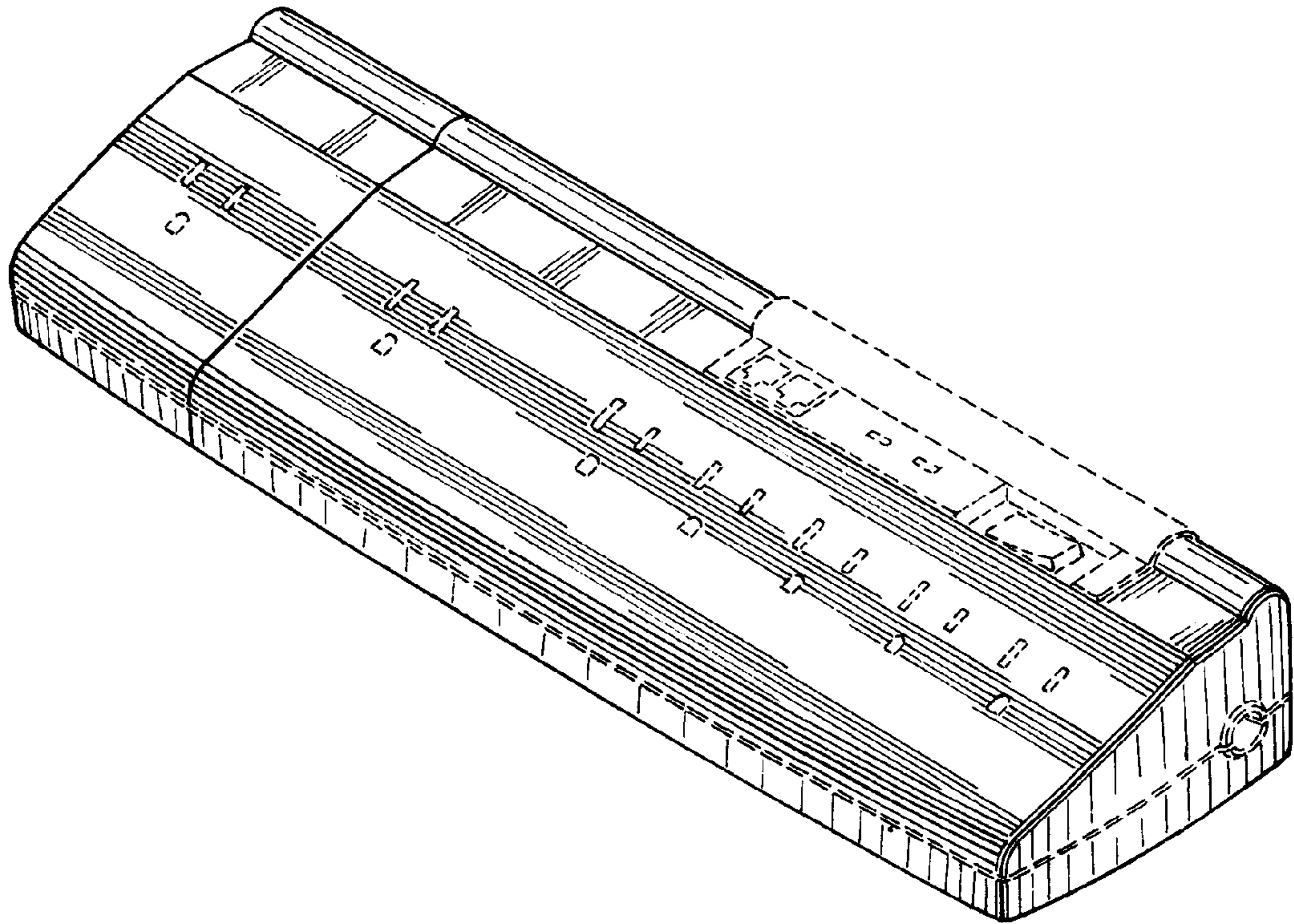


Fig. 1

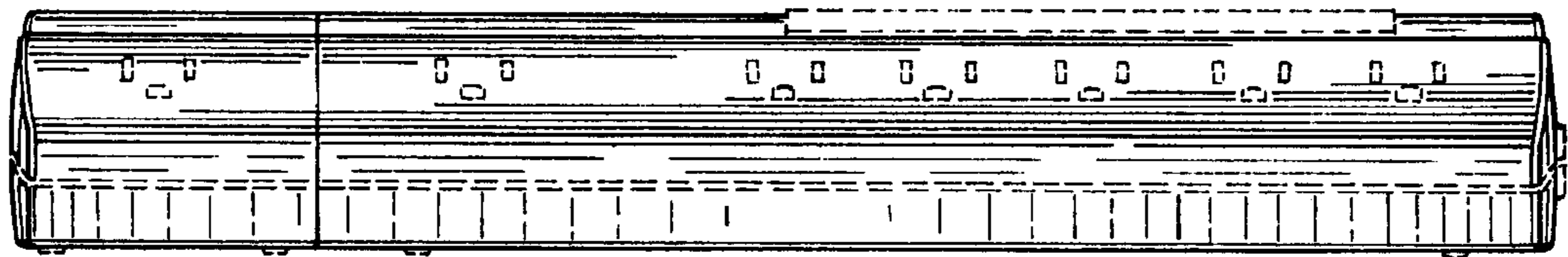


Fig. 2

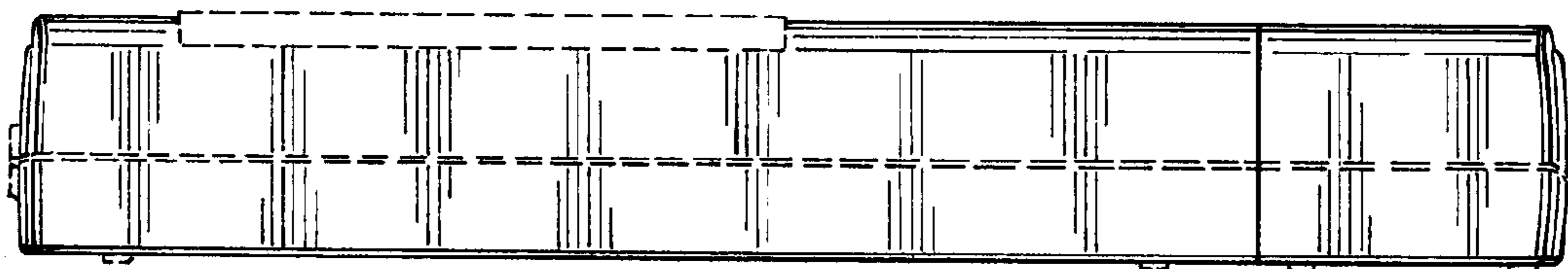


Fig. 3

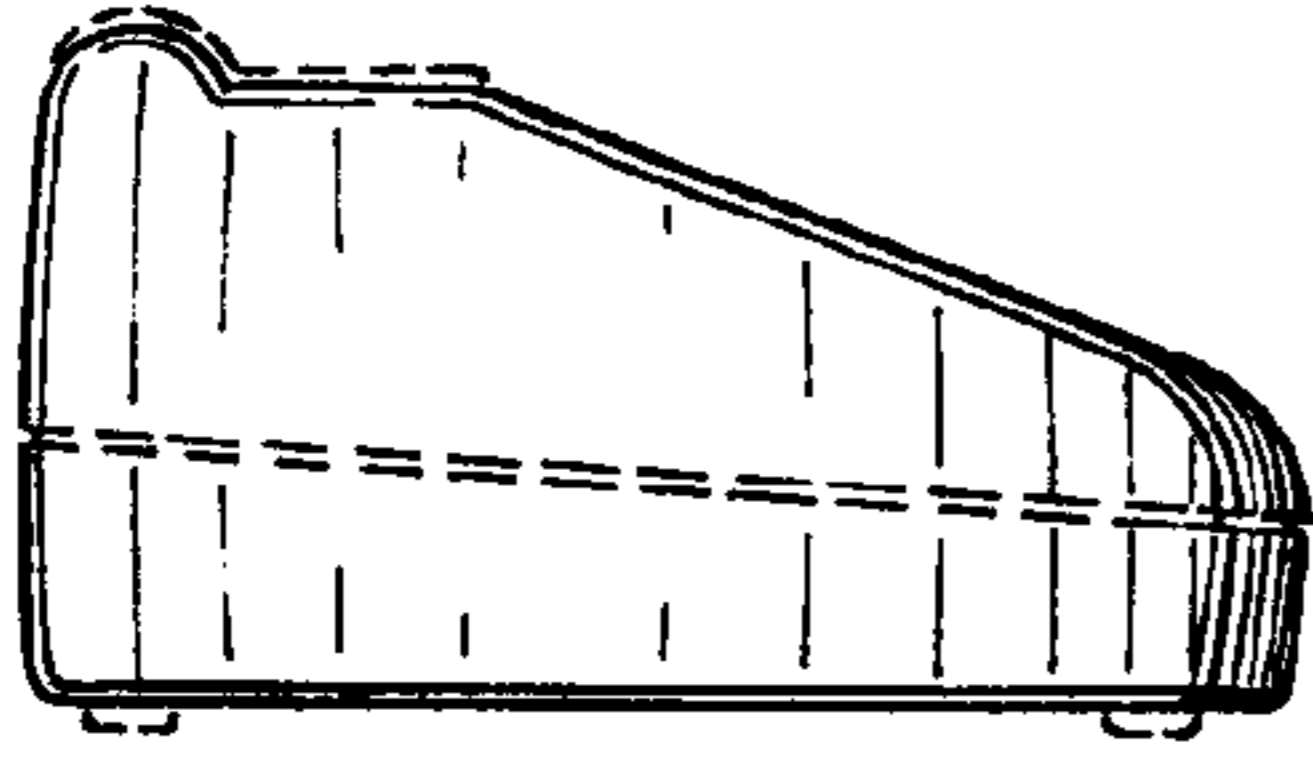


Fig. 4

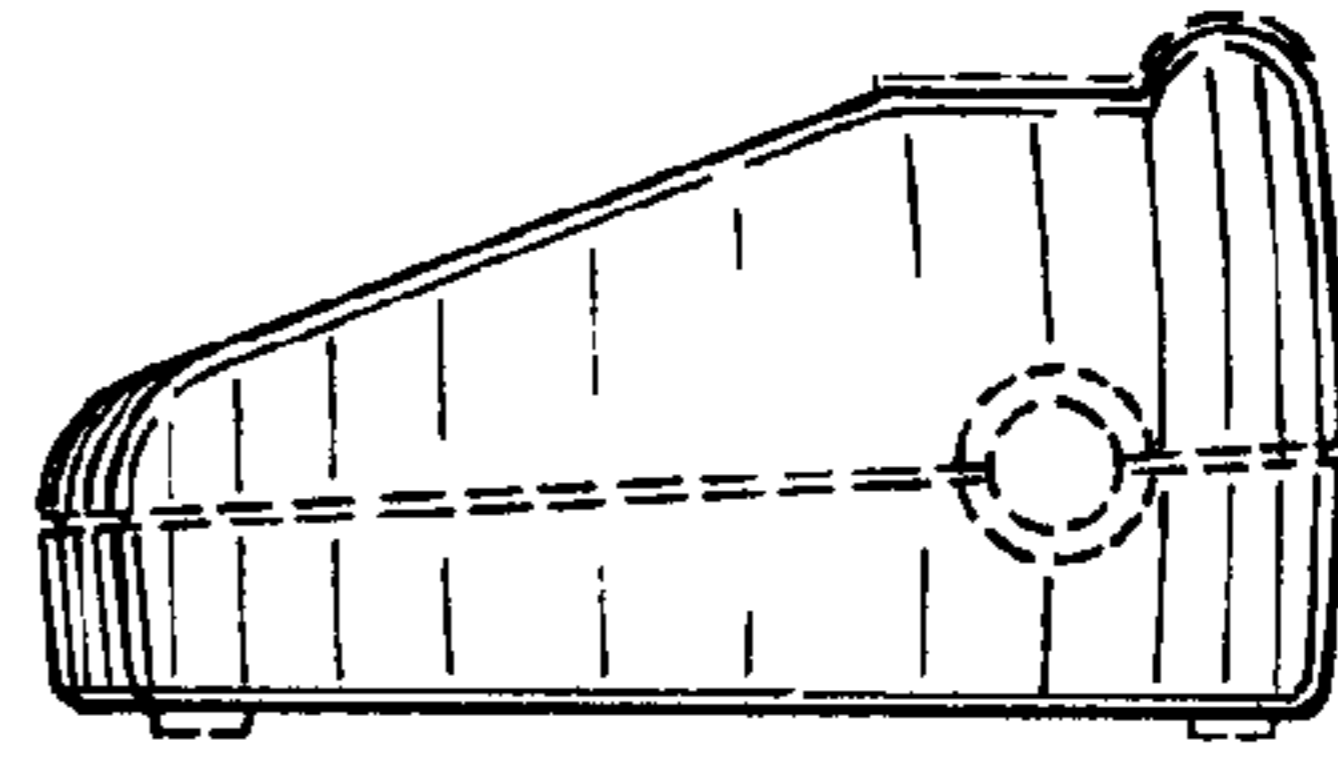


Fig. 5

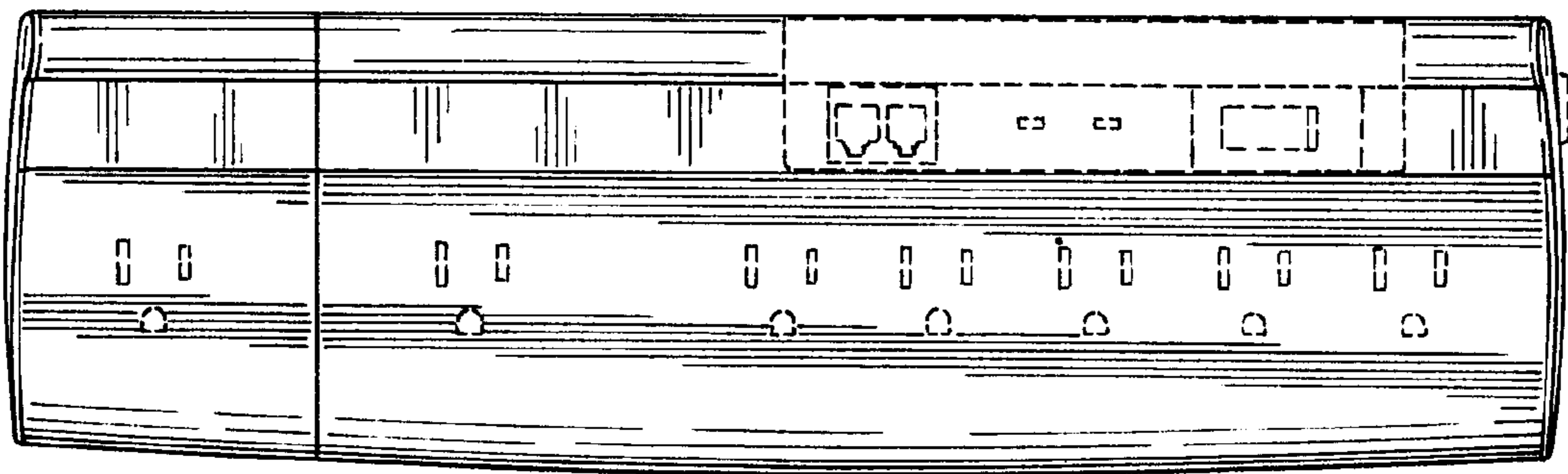


Fig. 6

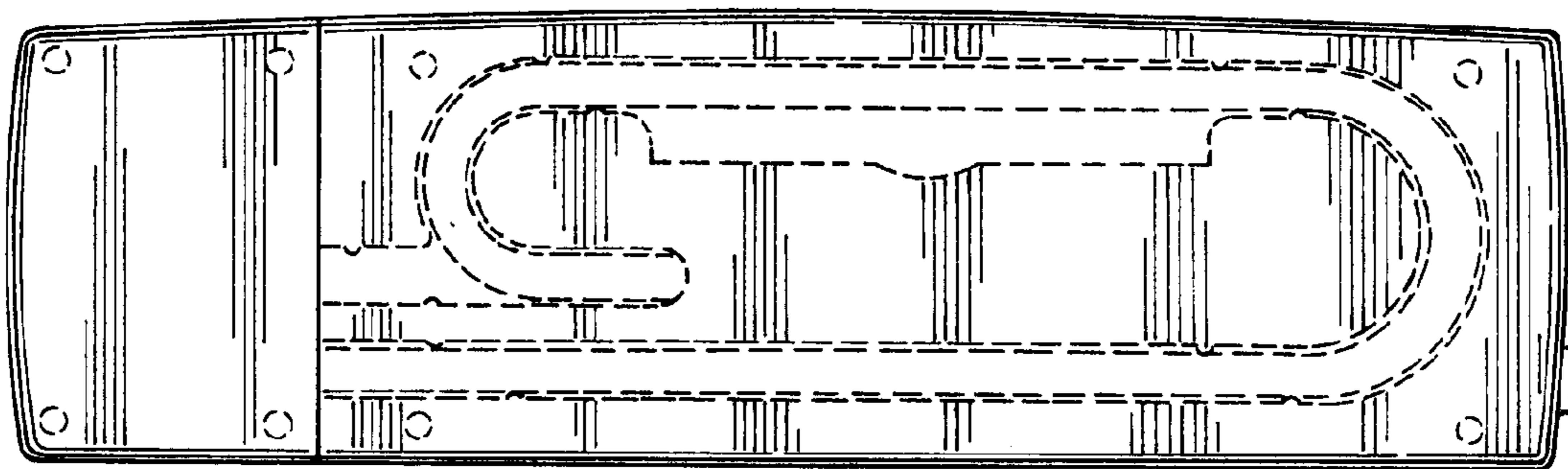


Fig. 7

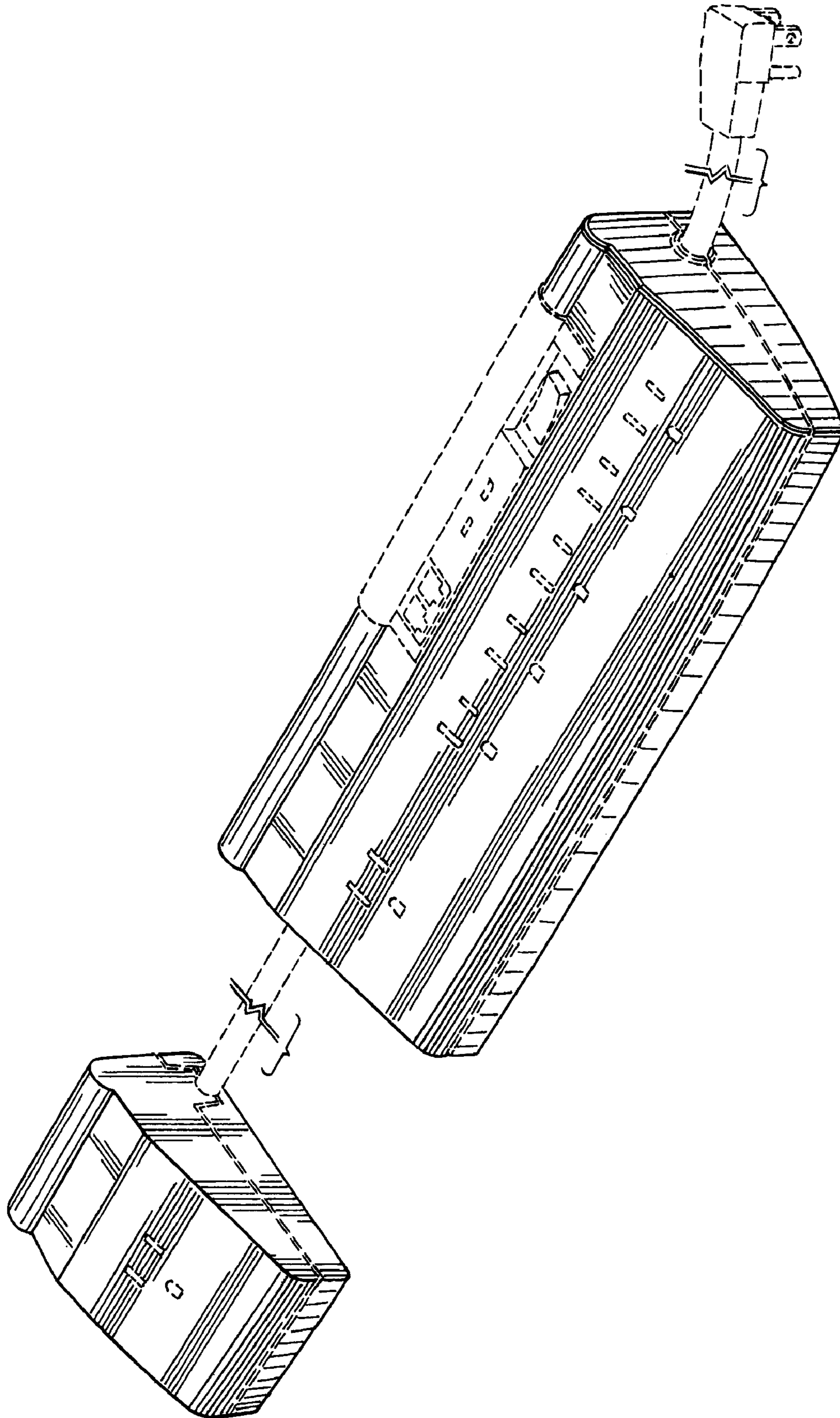


Fig. 8