

US00D549652S

(12) **United States Design Patent**  
**Young**

(10) **Patent No.:** **US D549,652 S**

(45) **Date of Patent:** **\*\* Aug. 28, 2007**

(54) **PLUG TERMINATION HANDLE**

(76) Inventor: **Norman A. Young**, Box 102, Woking,  
Alberta, T0H 3V0 (CA)

(\*\*) Term: **14 Years**

(21) Appl. No.: **29/249,422**

(22) Filed: **Oct. 5, 2006**

**Related U.S. Application Data**

(62) Division of application No. 29/230,920, filed on May  
31, 2005, now Pat. No. Des. 538,746.

(51) **LOC (8) Cl.** ..... **13-03**

(52) **U.S. Cl.** ..... **D13/139.1**

(58) **Field of Classification Search** . D13/137.1-137.4,  
D13/138.1, 138.2, 139.1, 139.6-139.8, 133,  
D13/154, 156; 439/171-172, 140, 160, 164,  
439/135-138, 446, 131, 606, 105-106, 11,  
439/13, 31, 650-655, 628, 476.1, 478, 480,  
439/483-484, 696, 692, 645-646; 174/53-58;  
337/197-198

See application file for complete search history.

(56) **References Cited**

**U.S. PATENT DOCUMENTS**

D164,338 S *	8/1951	Tyler	.....	D13/137.2
D194,105 S *	11/1962	More	.....	D13/137.2
D251,293 S *	3/1979	Trueblood	.....	D13/137.2
D276,225 S *	11/1984	Powel	.....	D13/137.2
D301,335 S *	5/1989	Audrain	.....	D13/137.4
D355,162 S *	2/1995	Karman	.....	D13/137.1

5,409,397 A *	4/1995	Karman	.....	439/484
D373,568 S *	9/1996	Bloom et al.	.....	D13/133
D413,570 S *	9/1999	Intveld	.....	D13/137.1
D415,105 S *	10/1999	Lee	.....	D13/139.1
D436,079 S *	1/2001	Intveld	.....	D13/137.1
D483,331 S *	12/2003	Adachi et al.	.....	D13/139.7
D487,726 S *	3/2004	Okuda	.....	D13/156

\* cited by examiner

*Primary Examiner*—Cathron C. Brooks

*Assistant Examiner*—Rosemary K. Tarcza

(74) *Attorney, Agent, or Firm*—Sean W. Goodwin; Linda M. Thompson

(57) **CLAIM**

The ornamental design for plug termination handle, as shown and described.

**DESCRIPTION**

FIG. 1 is a perspective view showing a plug termination handle;

FIG. 2 is a front view according to FIG. 1;

FIG. 3 is a back side view according to FIG. 1;

FIG. 4 is a left side view according to FIG. 1;

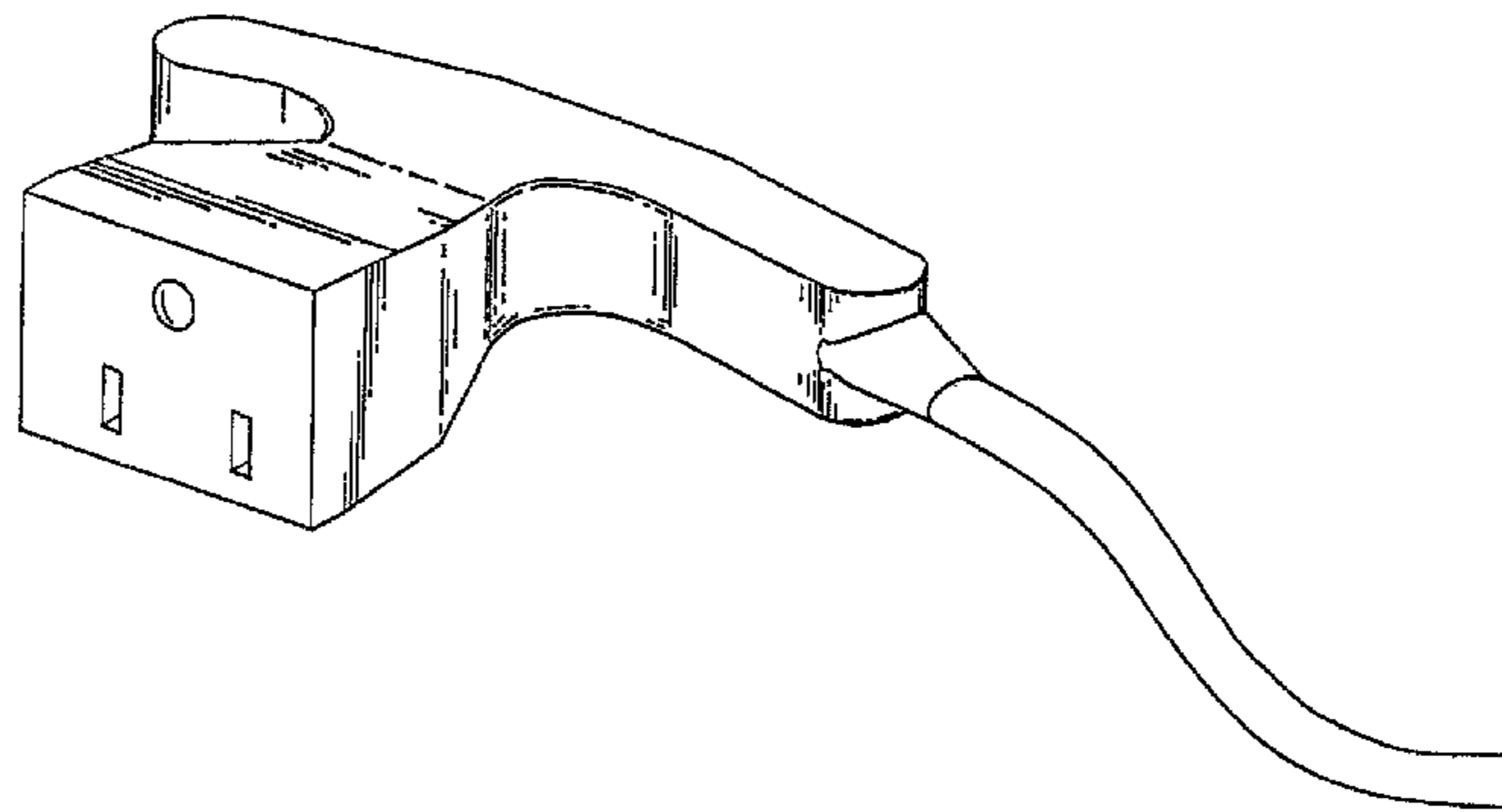
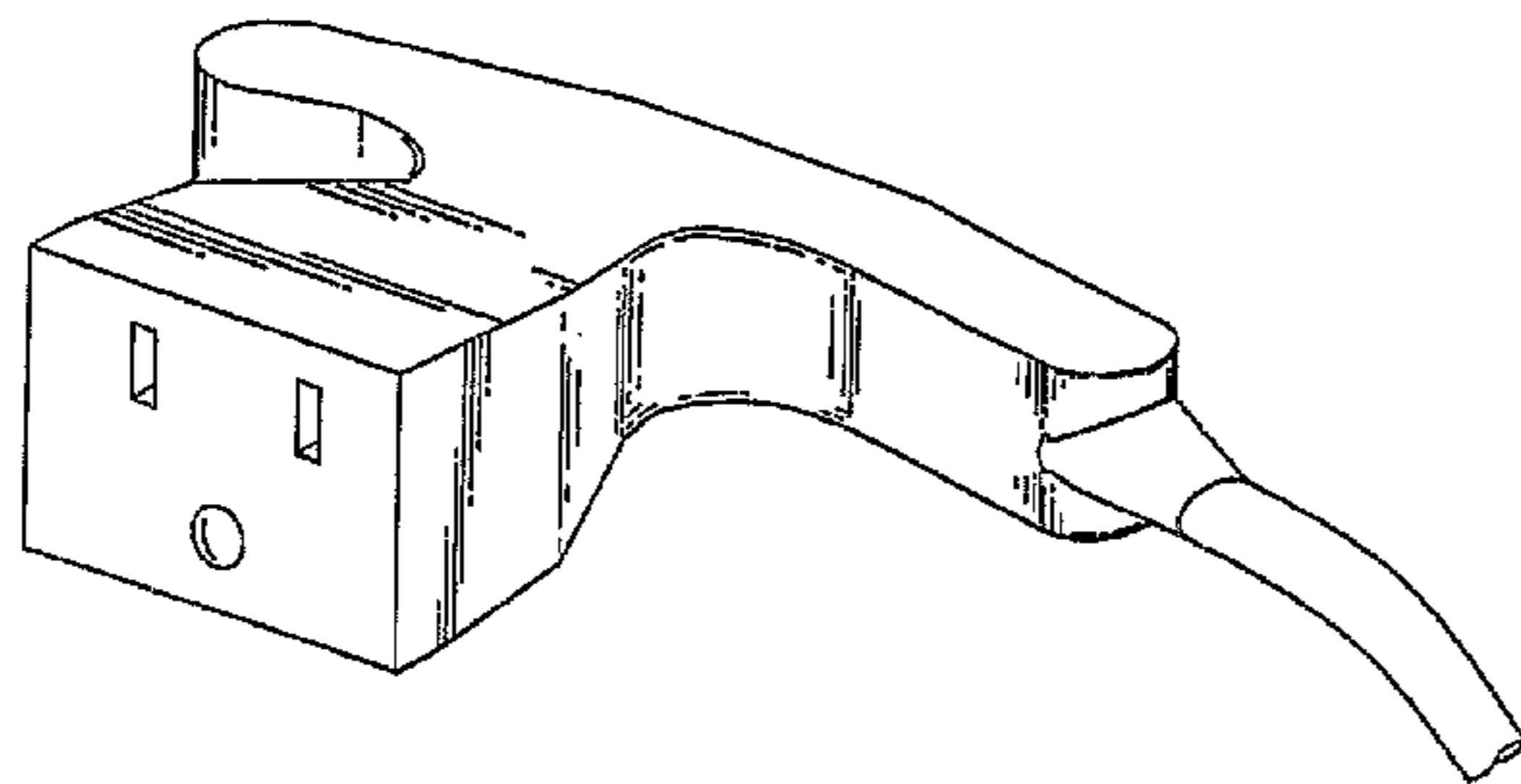
FIG. 5 is a right side view according to FIG. 1;

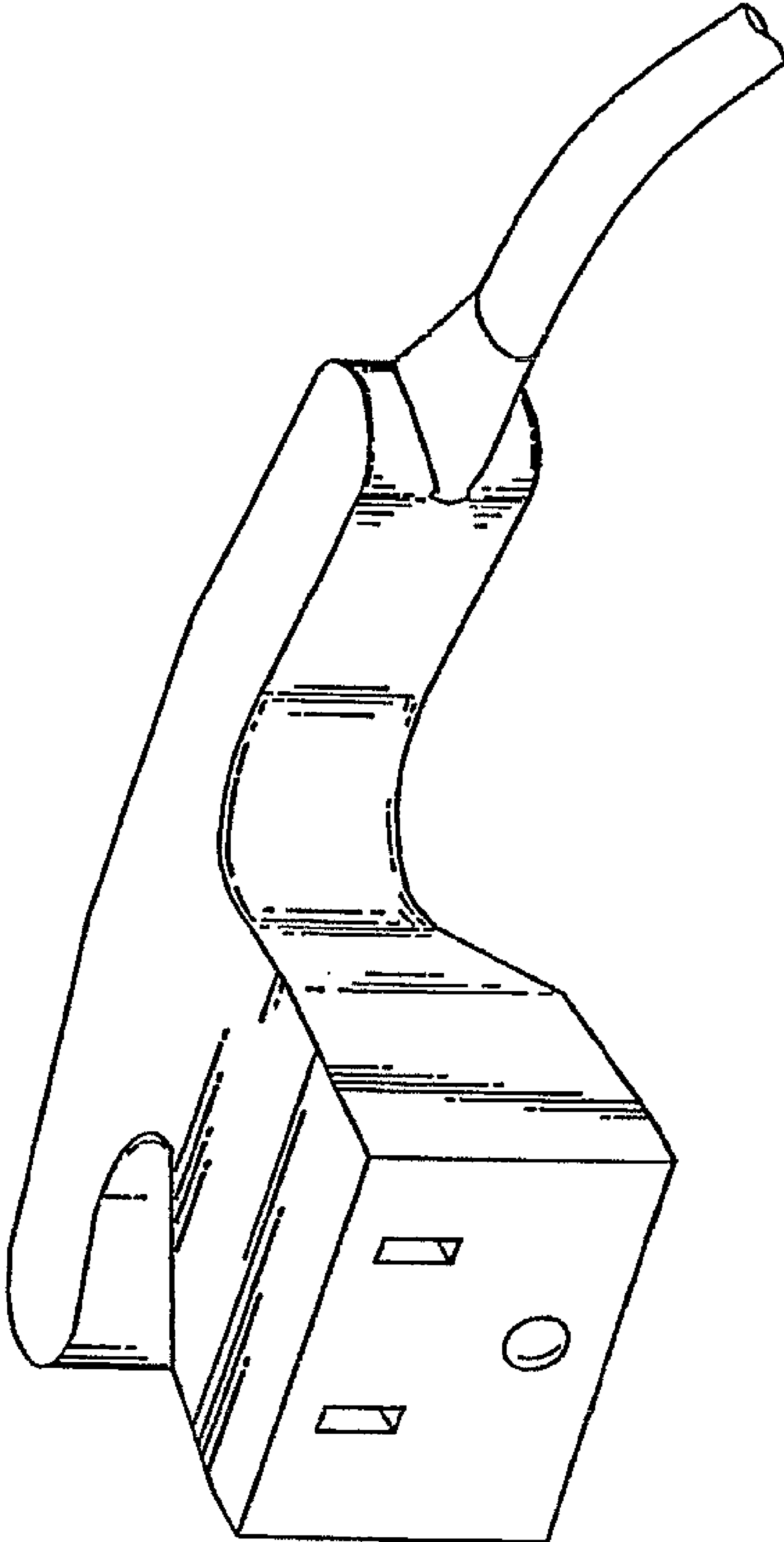
FIG. 6 is a bottom view according to FIG. 1;

FIG. 7 is a top view according to FIG. 1; and,

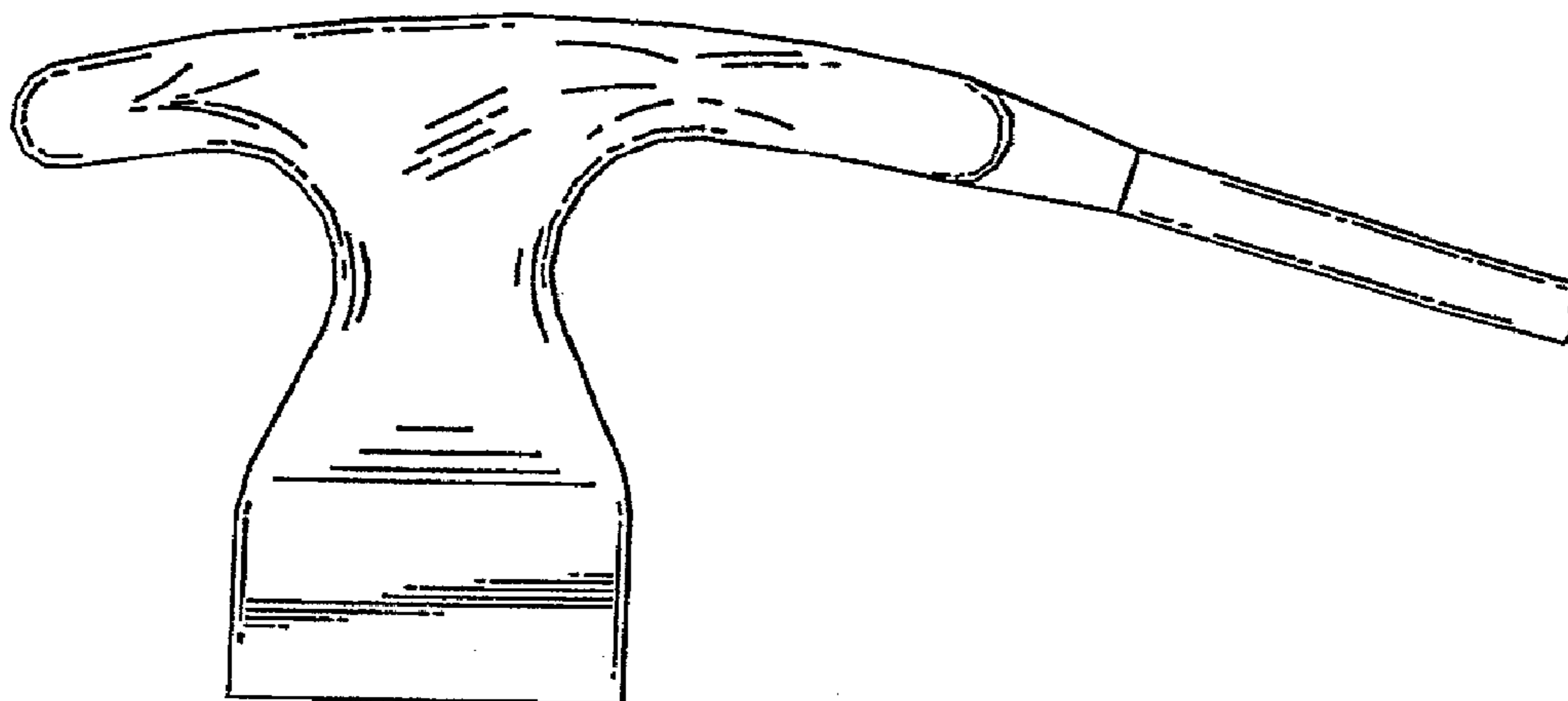
FIG. 8 is a perspective view of a variant according to FIG. 1.

**1 Claim, 5 Drawing Sheets**

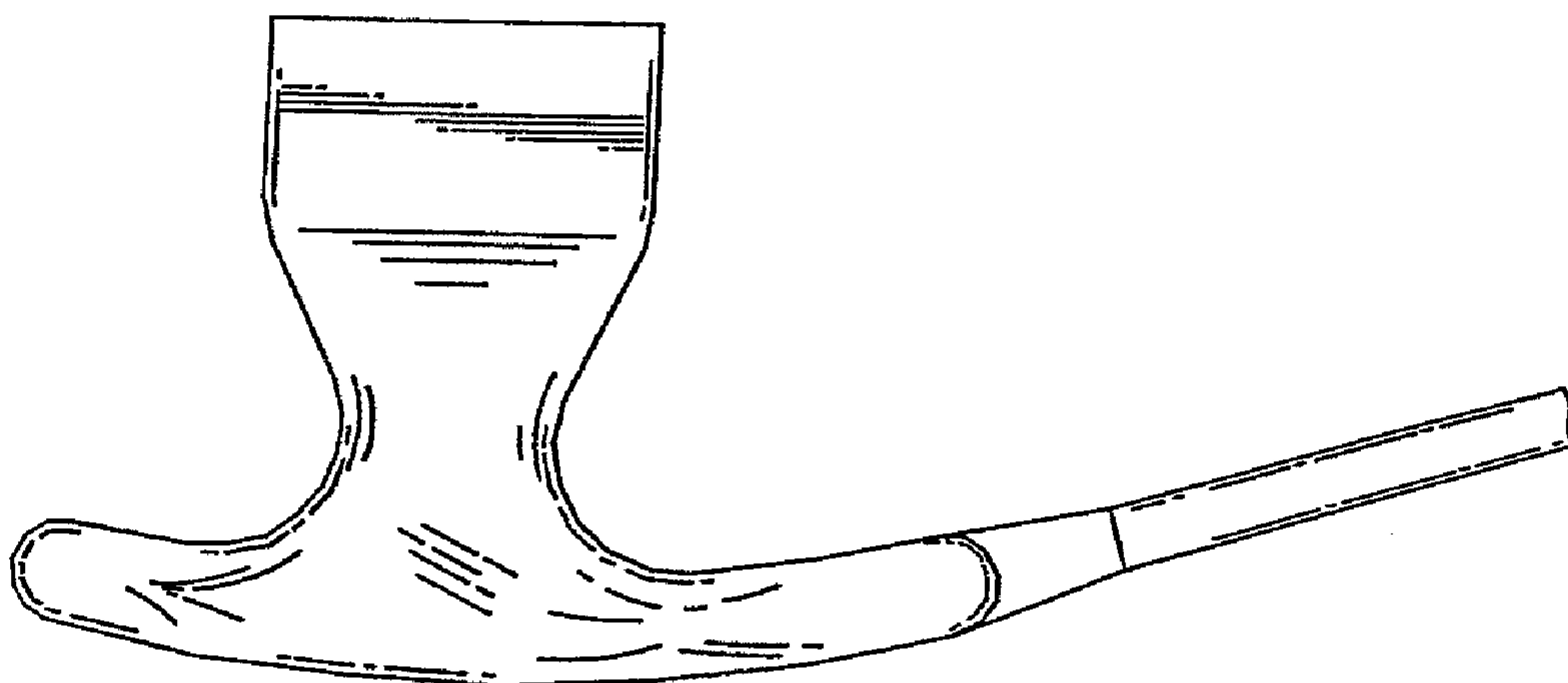




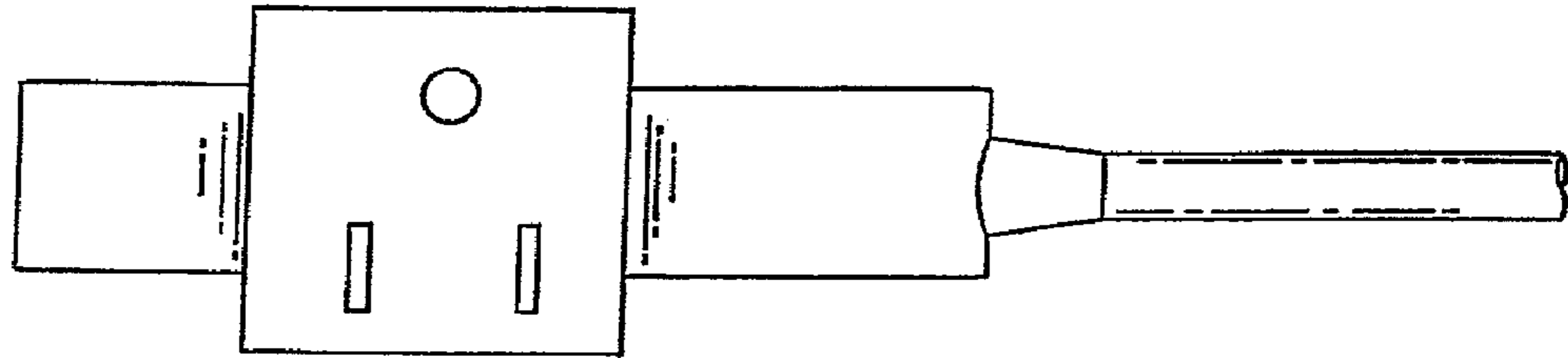
**Fig. 1**



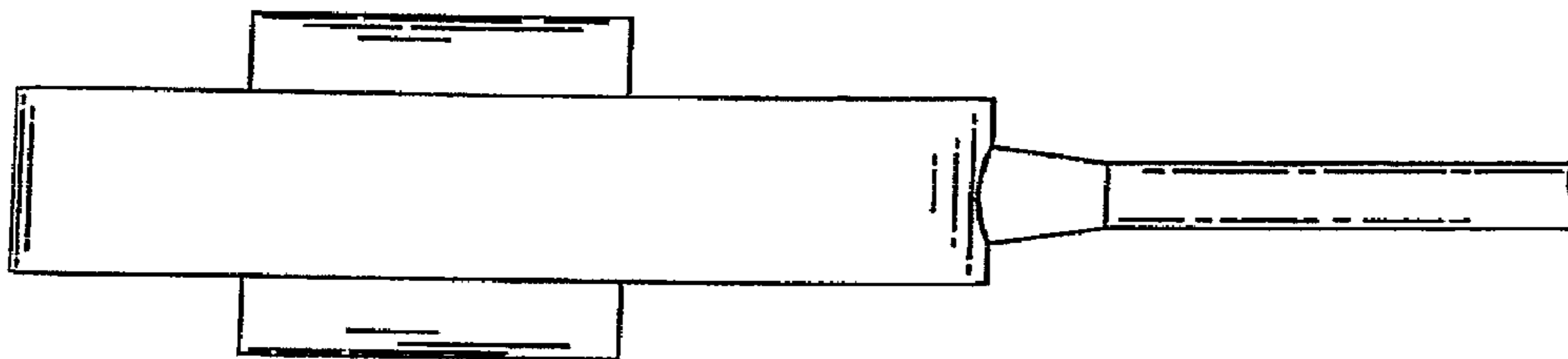
**Fig. 2**



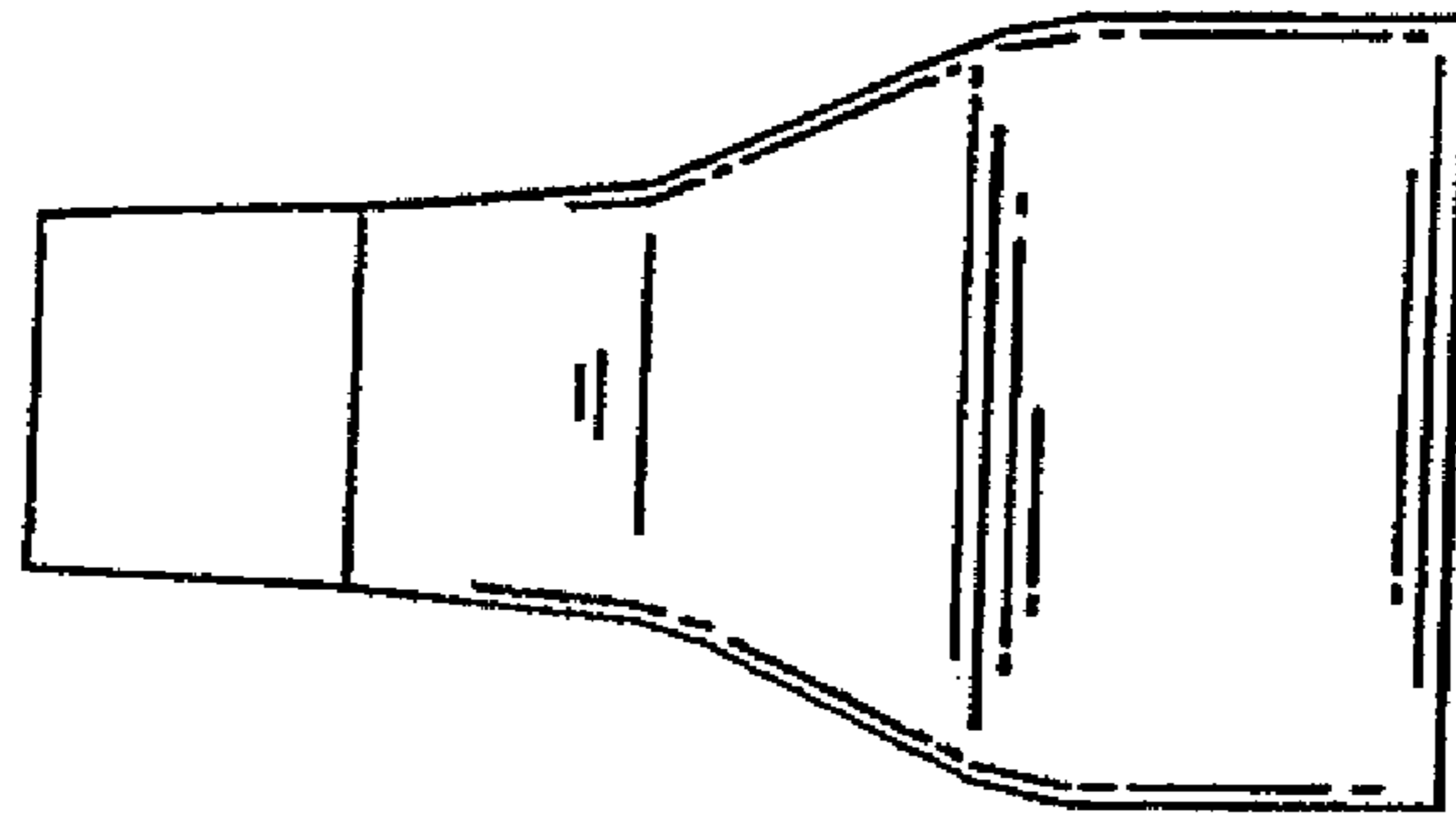
**Fig. 3**



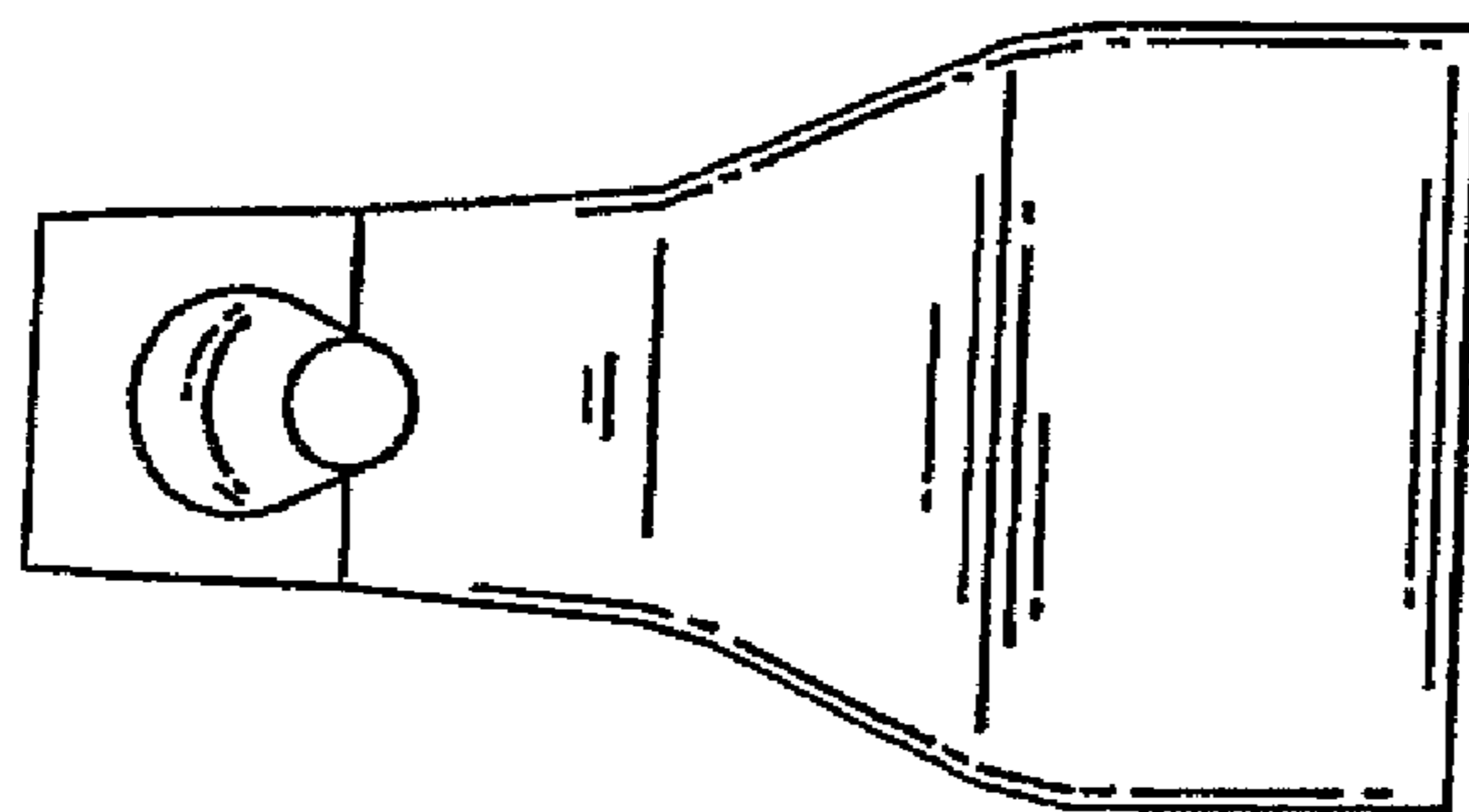
**Fig. 4**



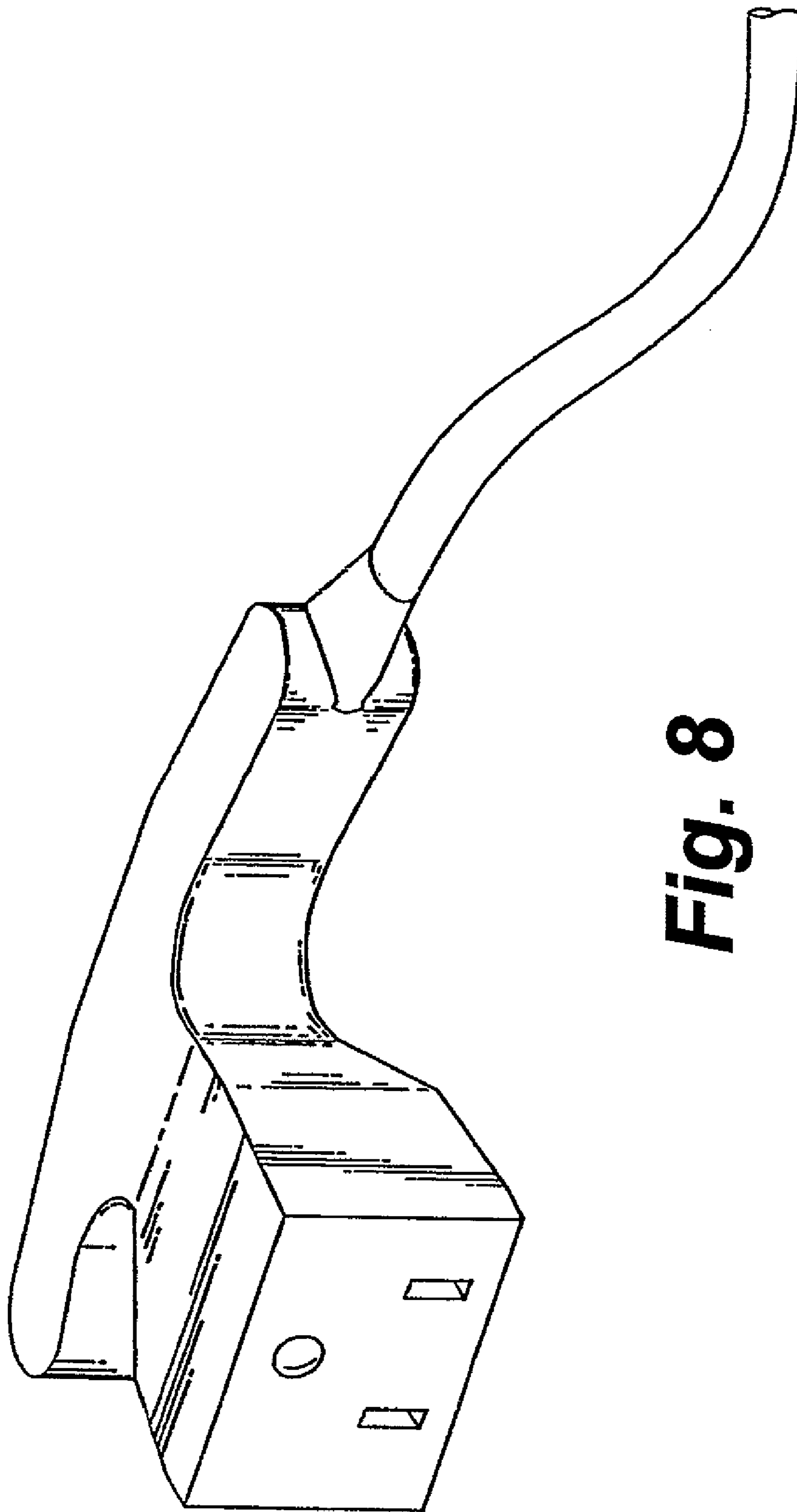
**Fig. 5**



***Fig. 6***



***Fig. 7***



**Fig. 8**