



US00D549651S

(12) **United States Design Patent**
Mancari et al.

(10) **Patent No.:** **US D549,651 S**

(45) **Date of Patent:** **** Aug. 28, 2007**

(54) **ELECTRICAL CONNECTOR HEAD REPLACEMENT PLUG**

(75) Inventors: **Robert C. Mancari**, High Point, NC (US); **Jeffrey R. Russell**, Winston Salem, NC (US)

(73) Assignee: **Camco Manufacturing, Inc.**, Greensboro, NC (US)

(**) Term: **14 Years**

(21) Appl. No.: **29/259,705**

(22) Filed: **May 12, 2006**

(51) **LOC (8) Cl.** **13-03**

(52) **U.S. Cl.** **D13/138.2**

(58) **Field of Classification Search** . D13/137.1-137.4, D13/138.1, 138.2, 133, 154; 439/171-172, 439/160, 446, 606, 105-108, 11, 13, 31; 337/197-198

See application file for complete search history.

(56) **References Cited**

U.S. PATENT DOCUMENTS

1,749,623	A	3/1930	Zinman	
D120,463	S *	5/1940	Ludwig D13/138.2
2,224,547	A *	12/1940	Ludwig 439/598
D159,196	S *	7/1950	Englar D13/138.1
D179,343	S *	12/1956	Gombar D13/138.2

(Continued)

OTHER PUBLICATIONS

Ref. No. 1, Part# 142-09523, 30 Amp Replacement Plug, found on Dan-Marc website: www.dan-marcrvparts.com, Apr. 17, 2006.
Ref. No. 2, Cat. No. C32U, 30 Amp Replacement Plug packaging, Manufactured by: Midwest Electric Products, Mankato, MN, Apr. 13, 2006.

Ref. No. 3, Cat. No. C54U, 50 Amp Replacement Plug packaging, Manufactured by: Midwest Electric Products, Mankato, MN, Apr. 13, 2006.

Primary Examiner—Cathron C. Brooks
Assistant Examiner—Rosemary K. Tarcza

(57) **CLAIM**

The ornamental design for an electrical connector head replacement plug, as shown and described.

DESCRIPTION

FIG. 1 is a bottom, right side, rear perspective view of an embodiment of an electrical connector head replacement plug embodying our design;

FIG. 2 is a rear elevational view thereof;

FIG. 3 is a front elevational view thereof;

FIG. 4 is a top, left side, front perspective view thereof;

FIG. 5 is a left side elevational view thereof and the right side elevational view being a mirror image;

FIG. 6 is a top plan view thereof;

Fig. 7 is a bottom plan view thereof;

FIG. 8 is a bottom, right side, rear perspective view of another embodiment of an electrical connector head replacement plug embodying our design;

FIG. 9 is a rear elevational view thereof;

FIG. 10 is a front elevational view thereof;

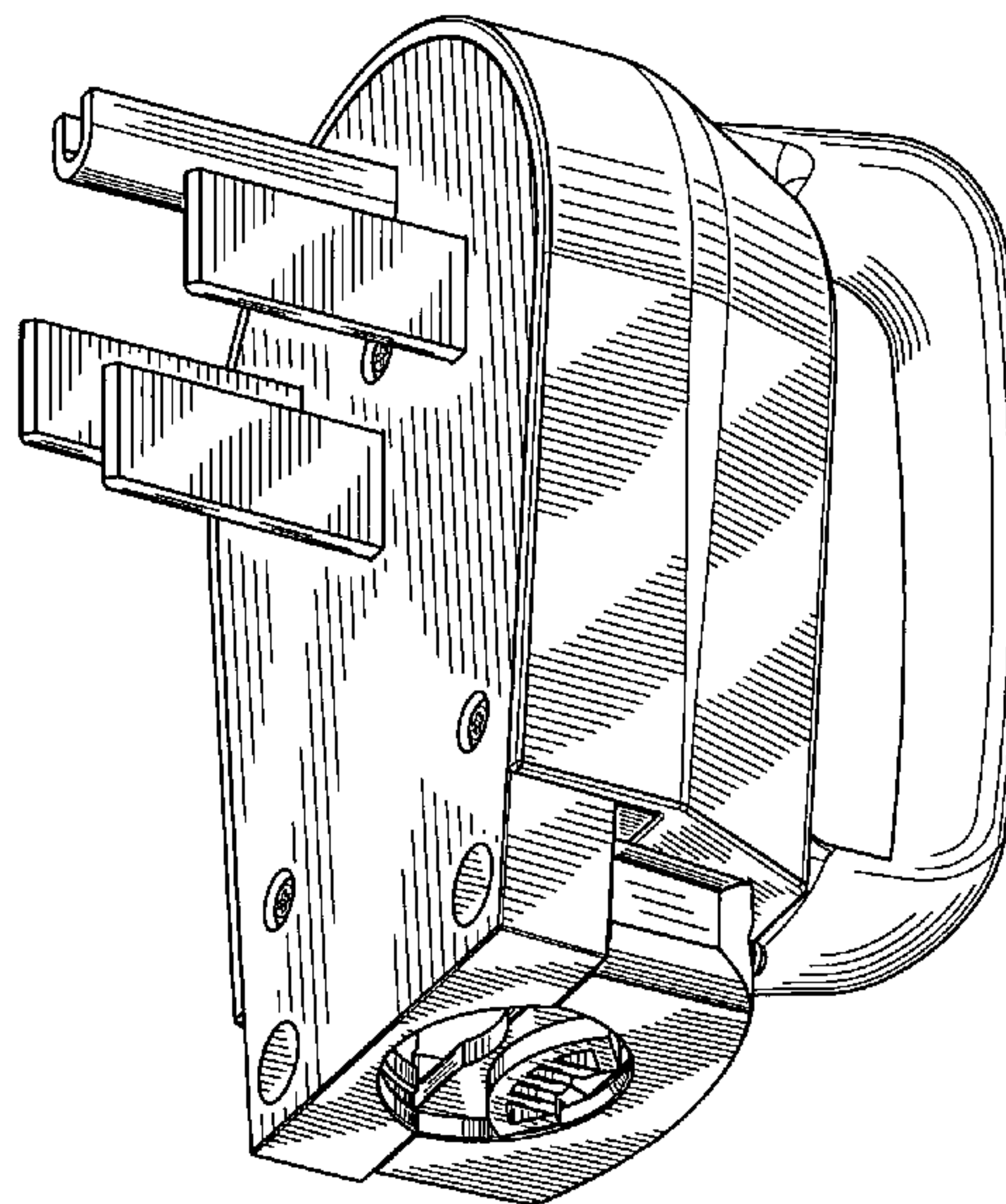
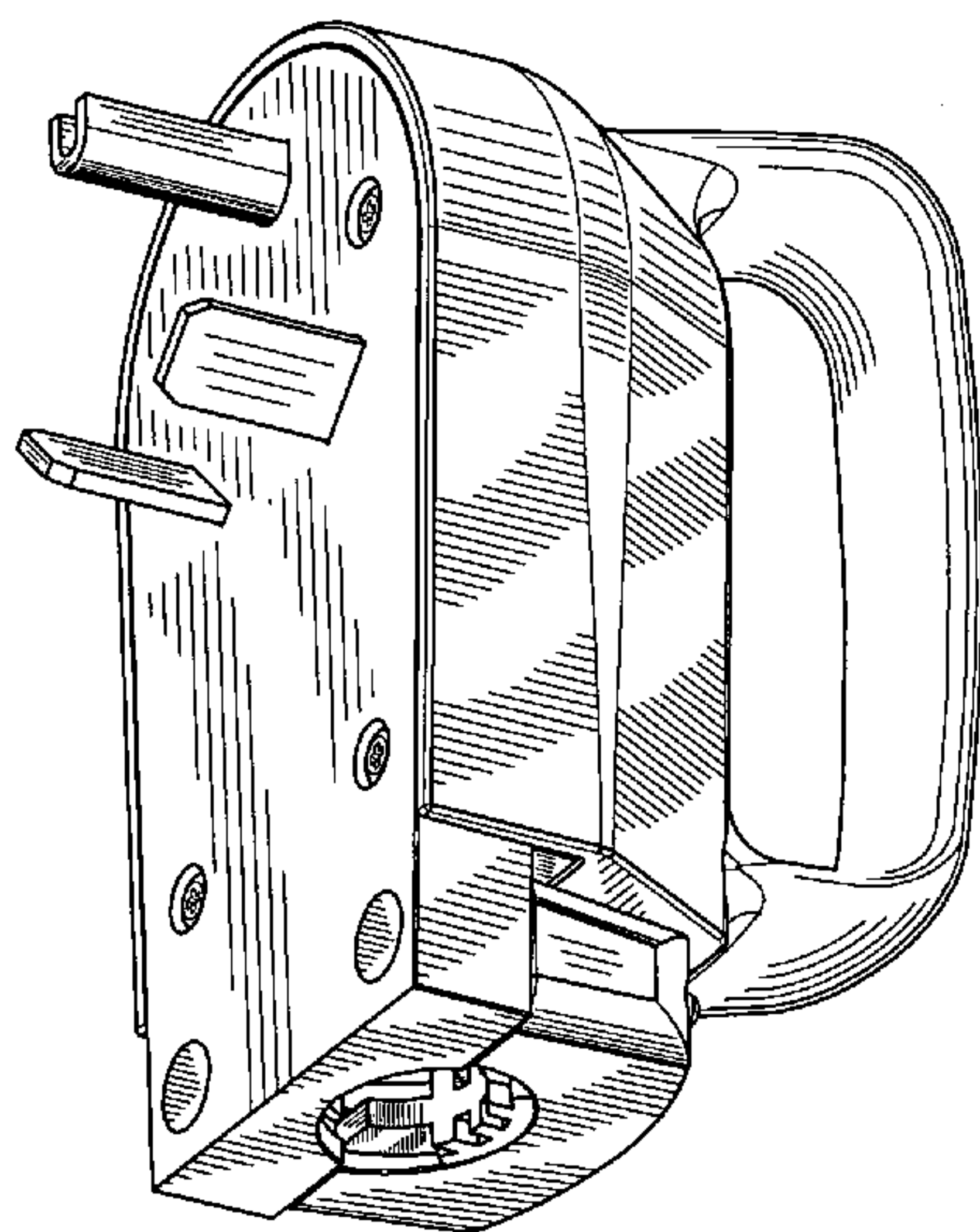
FIG. 11 is a top, left side, front perspective view thereof;

FIG. 12 is a left side elevational view thereof and the right side elevational view being a mirror image;

FIG. 13 is a top plan view thereof; and,

FIG. 14 is a bottom plan view thereof.

1 Claim, 8 Drawing Sheets



US D549,651 S

Page 2

U.S. PATENT DOCUMENTS		
2,977,564 A	3/1961	Civitelli et al.
3,008,115 A	11/1961	Oakes
3,160,947 A	12/1964	Sunderlin
3,431,535 A	3/1969	Munyon
D241,649 S	9/1976	Anderson, Jr.
4,042,292 A	8/1977	Chensky
4,210,377 A	7/1980	La Voque
4,307,924 A	12/1981	Gibbs
D270,628 S *	9/1983	Bobrovniczky D13/138.2
4,778,400 A	10/1988	Jacobs
5,409,397 A	4/1995	Karman
D360,401 S *	7/1995	Chen D13/138.1
5,591,043 A	1/1997	Kenney
5,752,850 A	5/1998	Ziegler
D404,984 S	2/1999	Skinner
6,071,142 A	6/2000	Blackman
D430,848 S *	9/2000	Davi et al. D13/138.1
D511,748 S *	11/2005	Caine et al. D13/154
7,179,105 B1 *	2/2007	Hung 439/172
2007/0032109 A1 *	2/2007	Hung 439/172

* cited by examiner

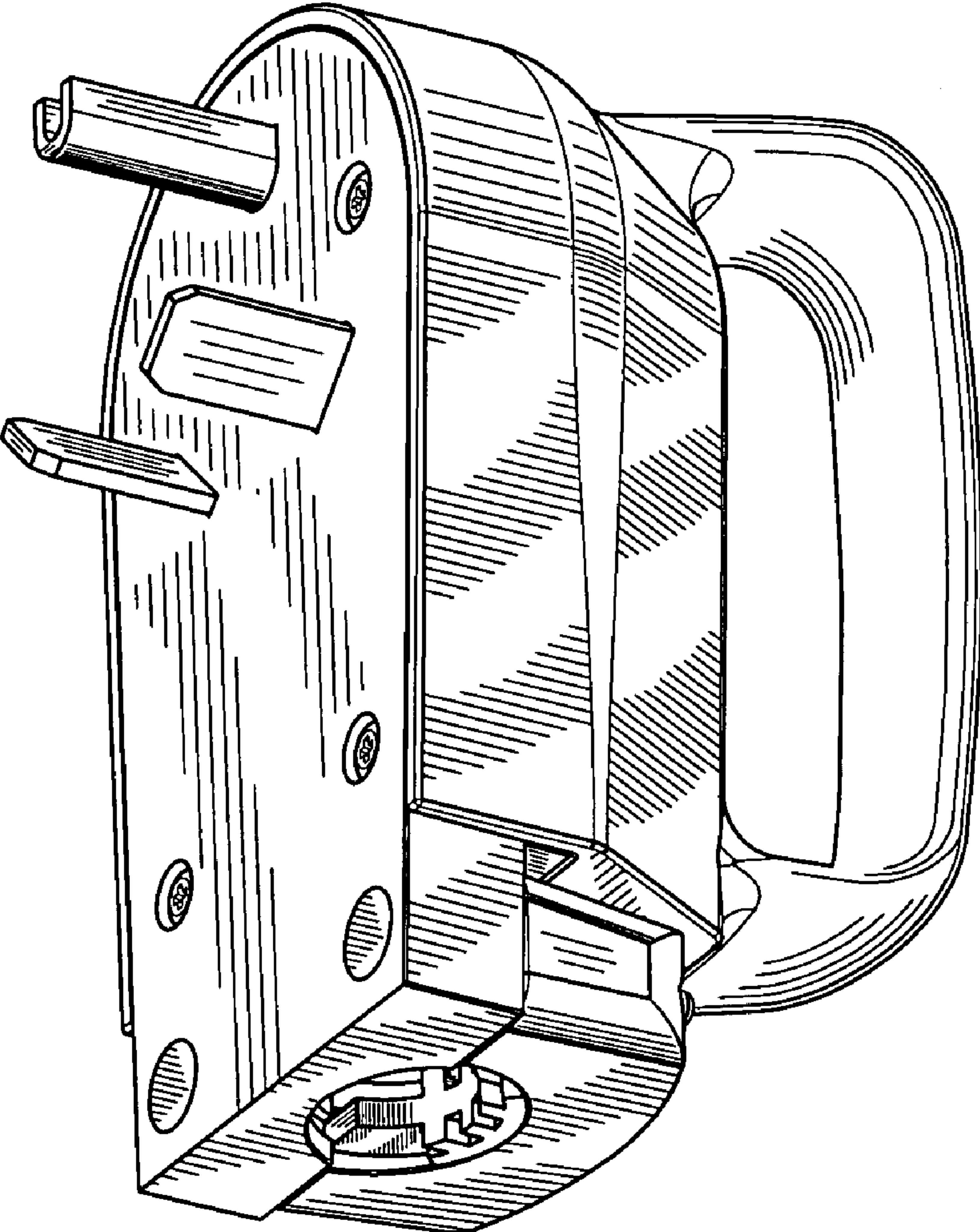


FIG. 1

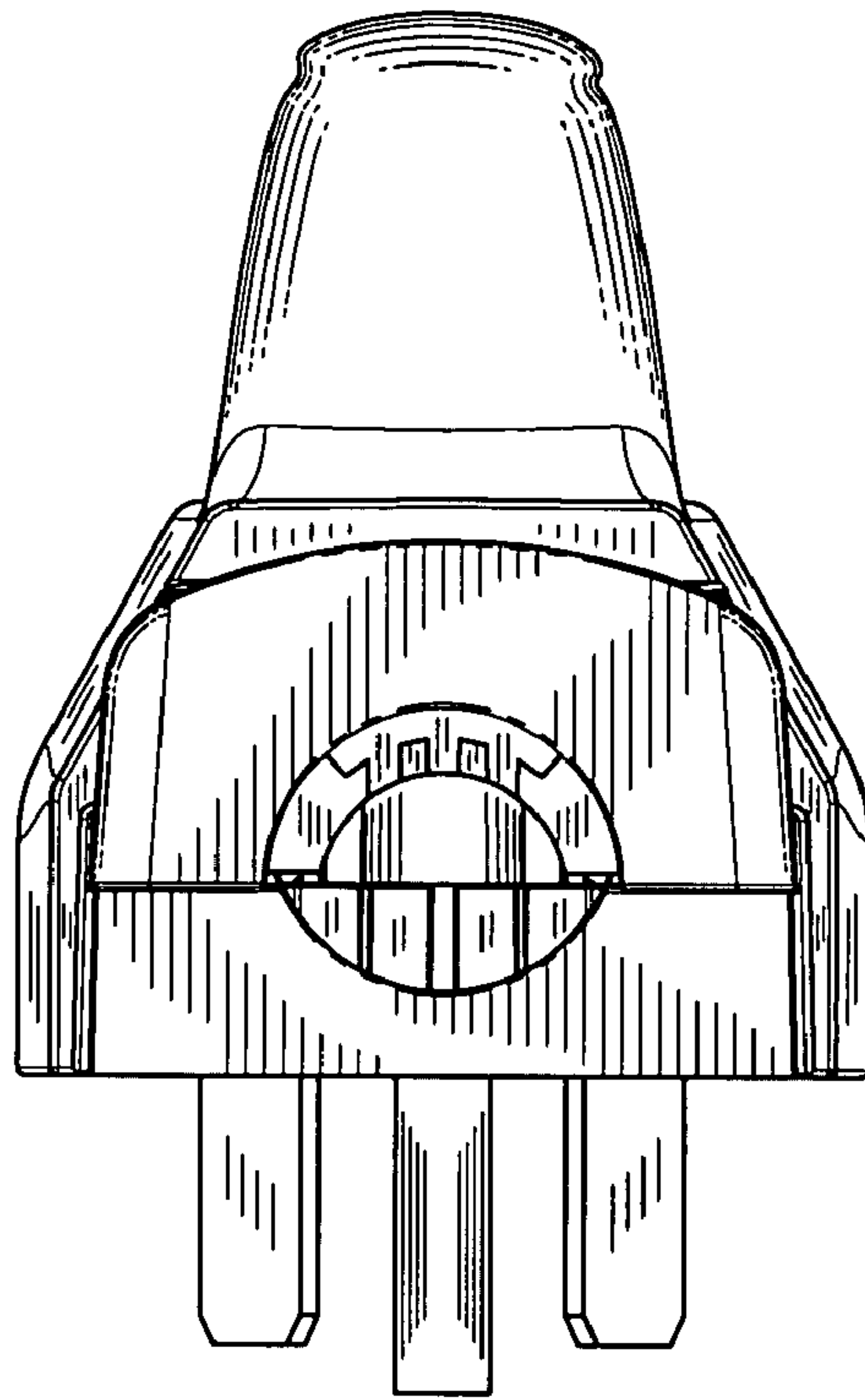


FIG. 2

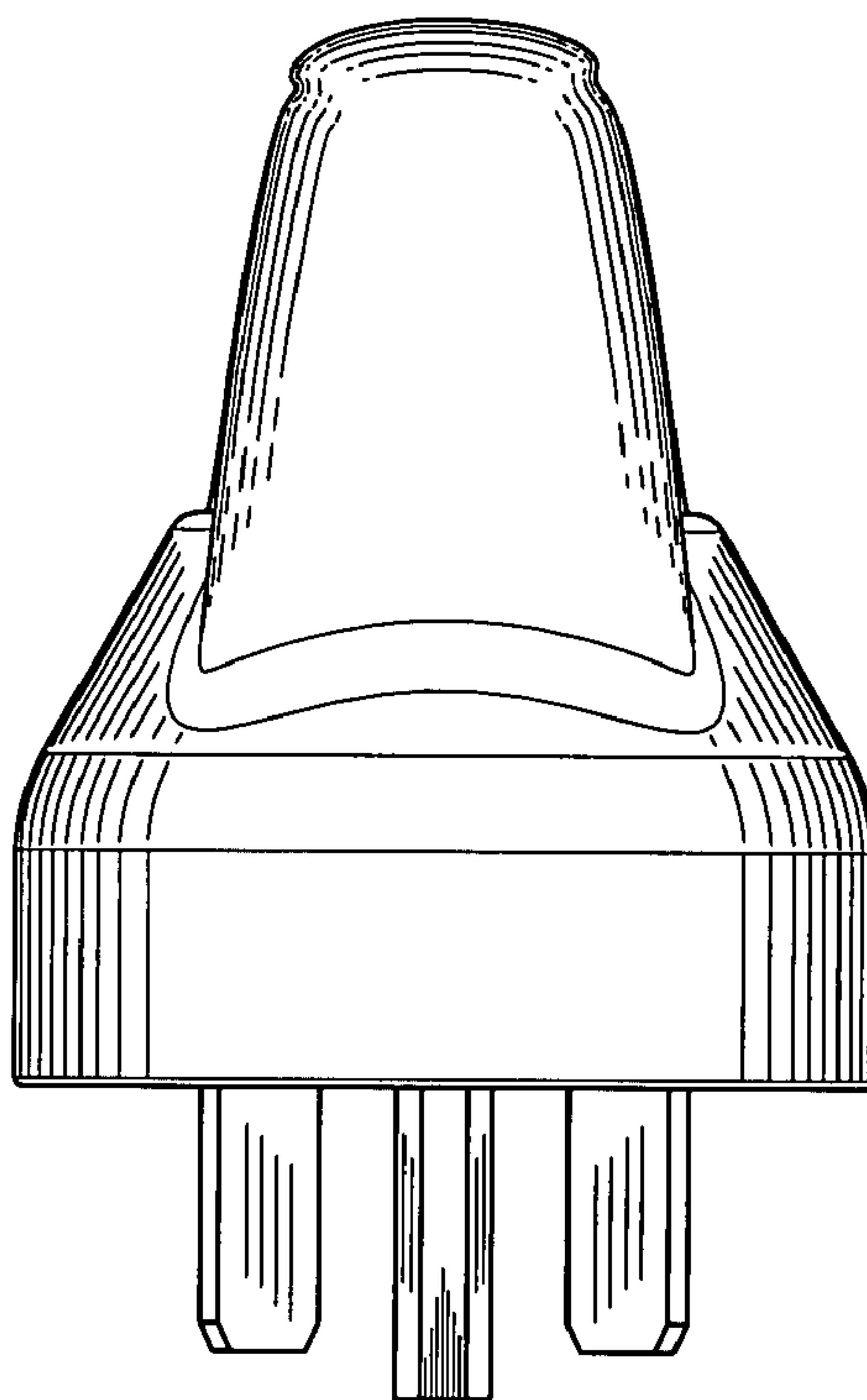


FIG. 3

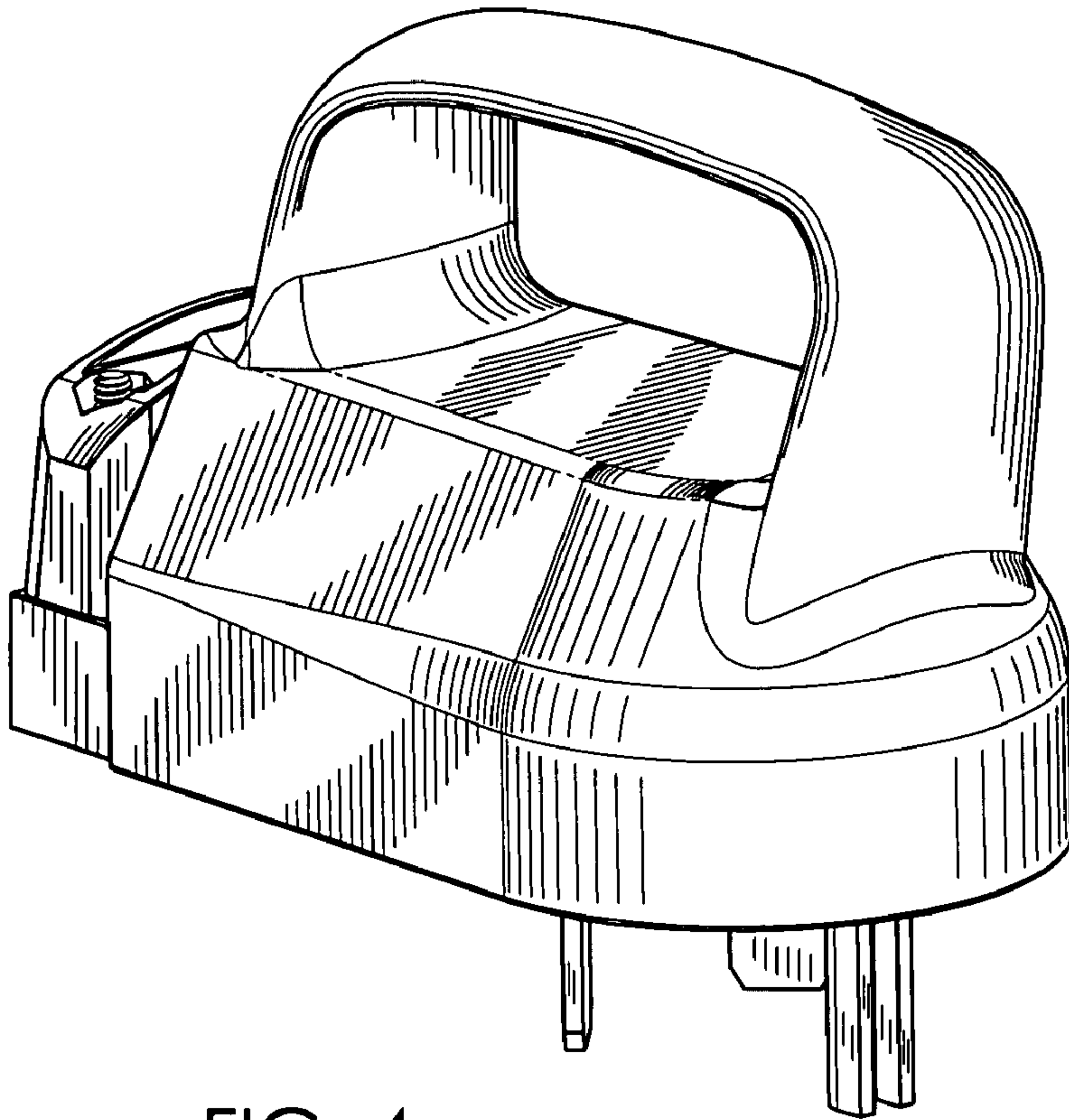


FIG. 4

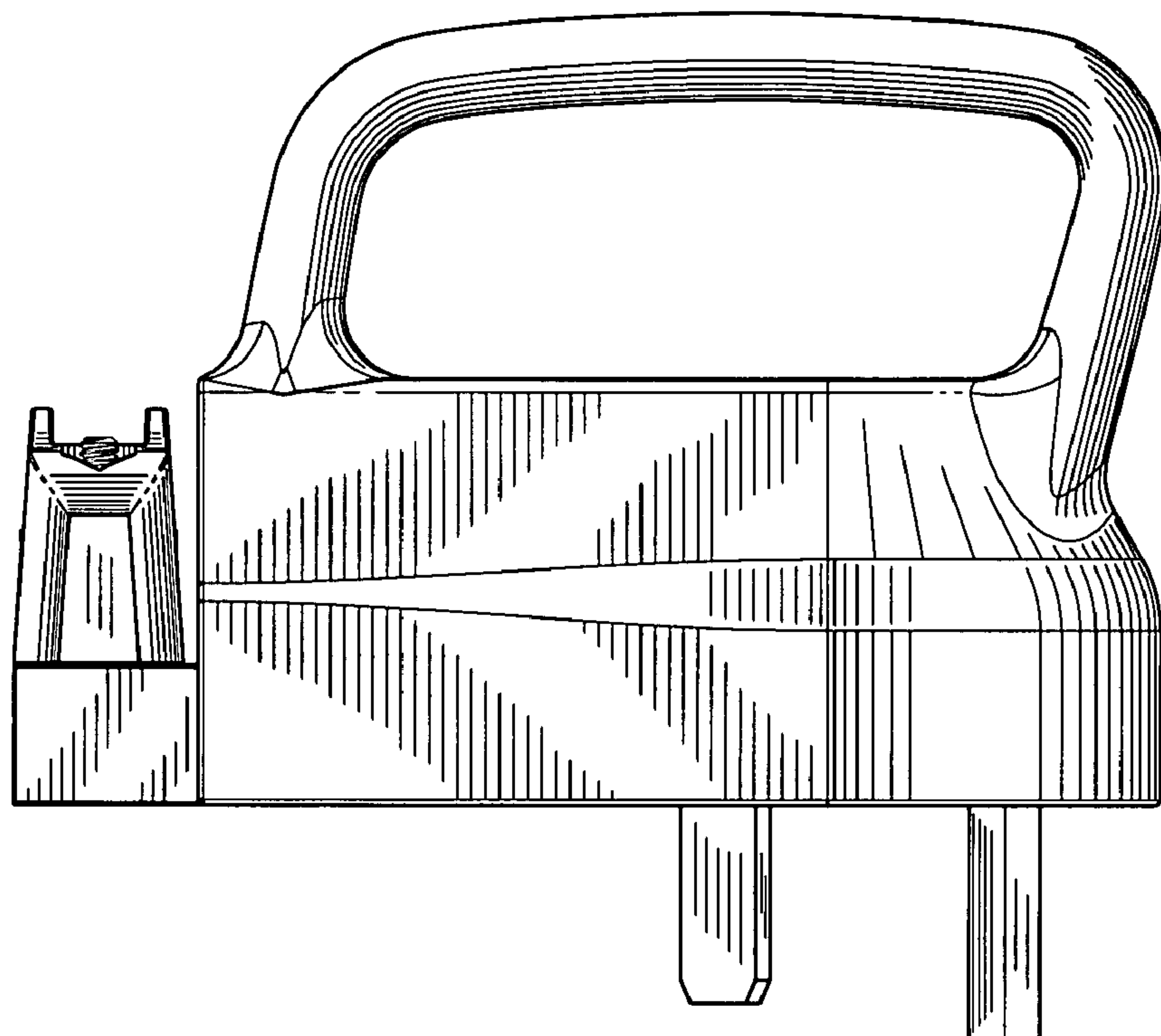


FIG. 5

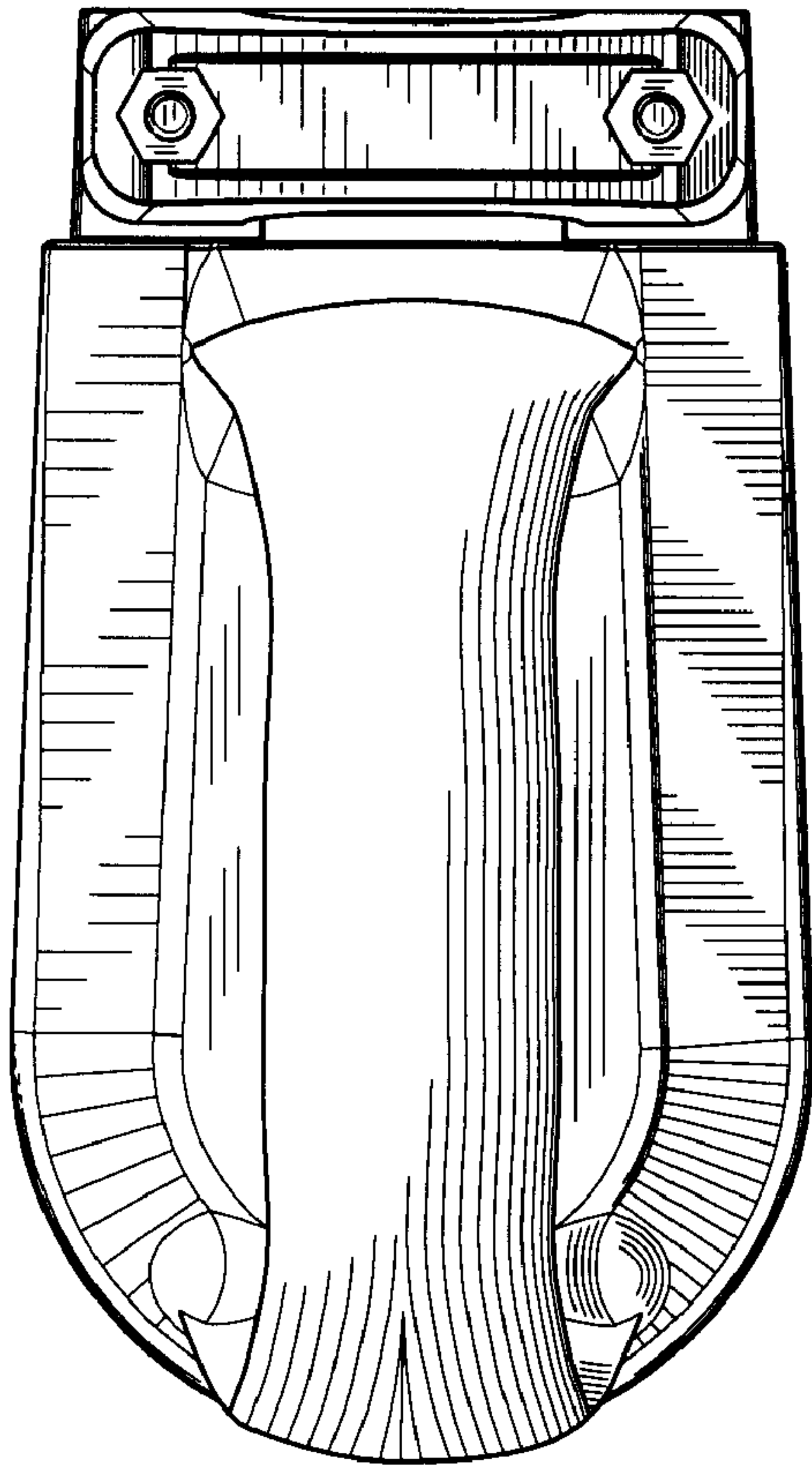


FIG. 6

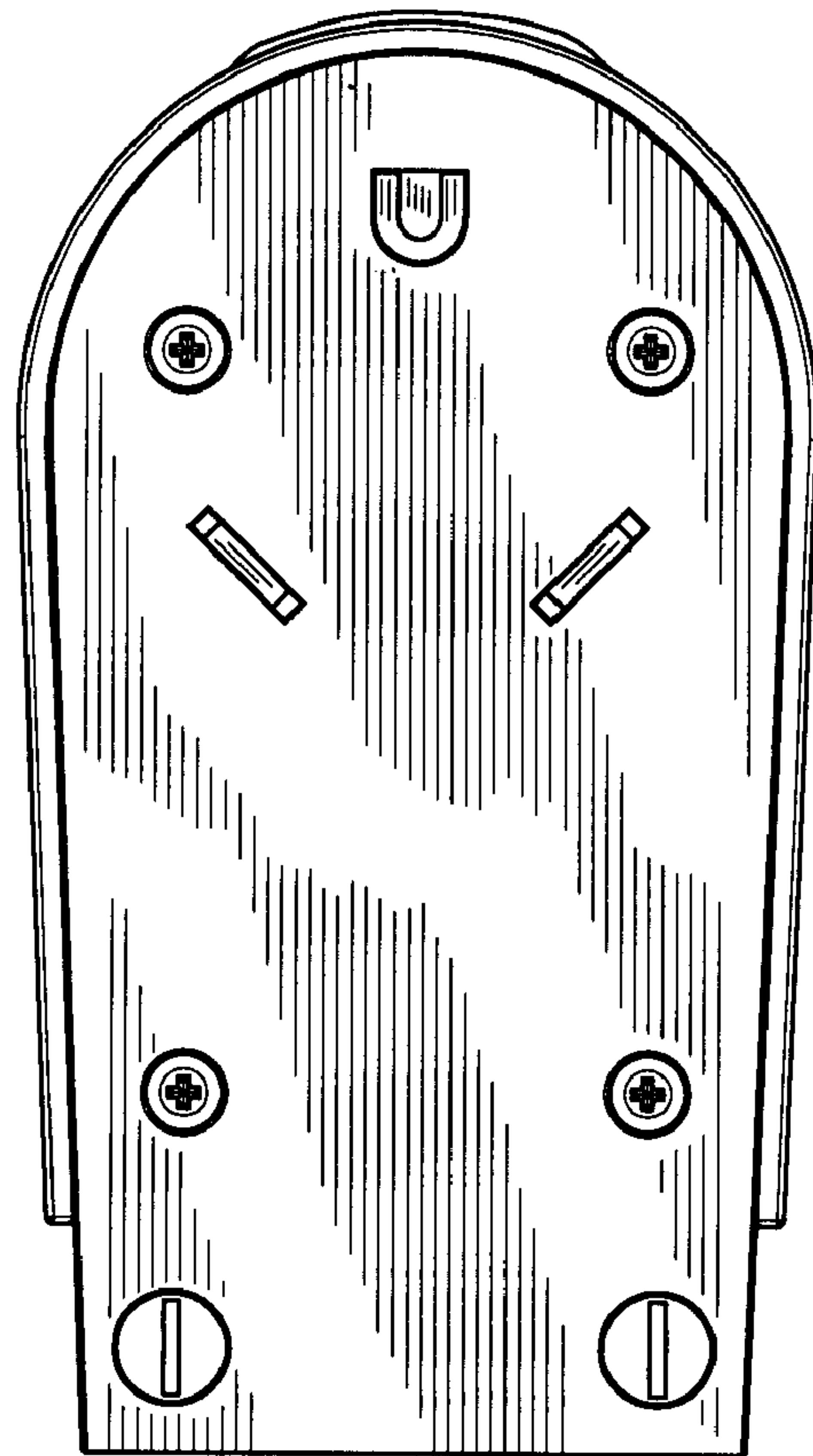


FIG. 7

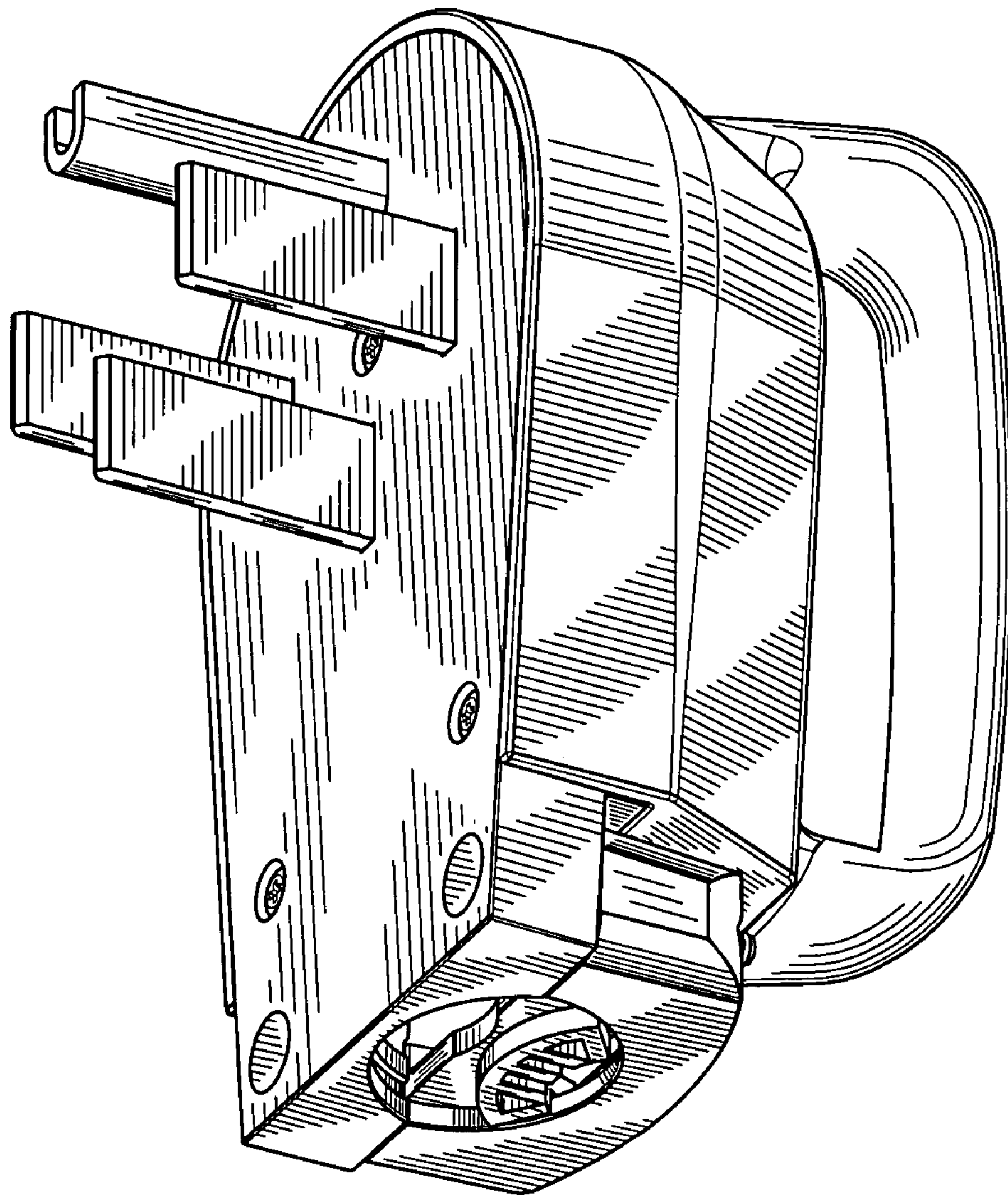


FIG. 8

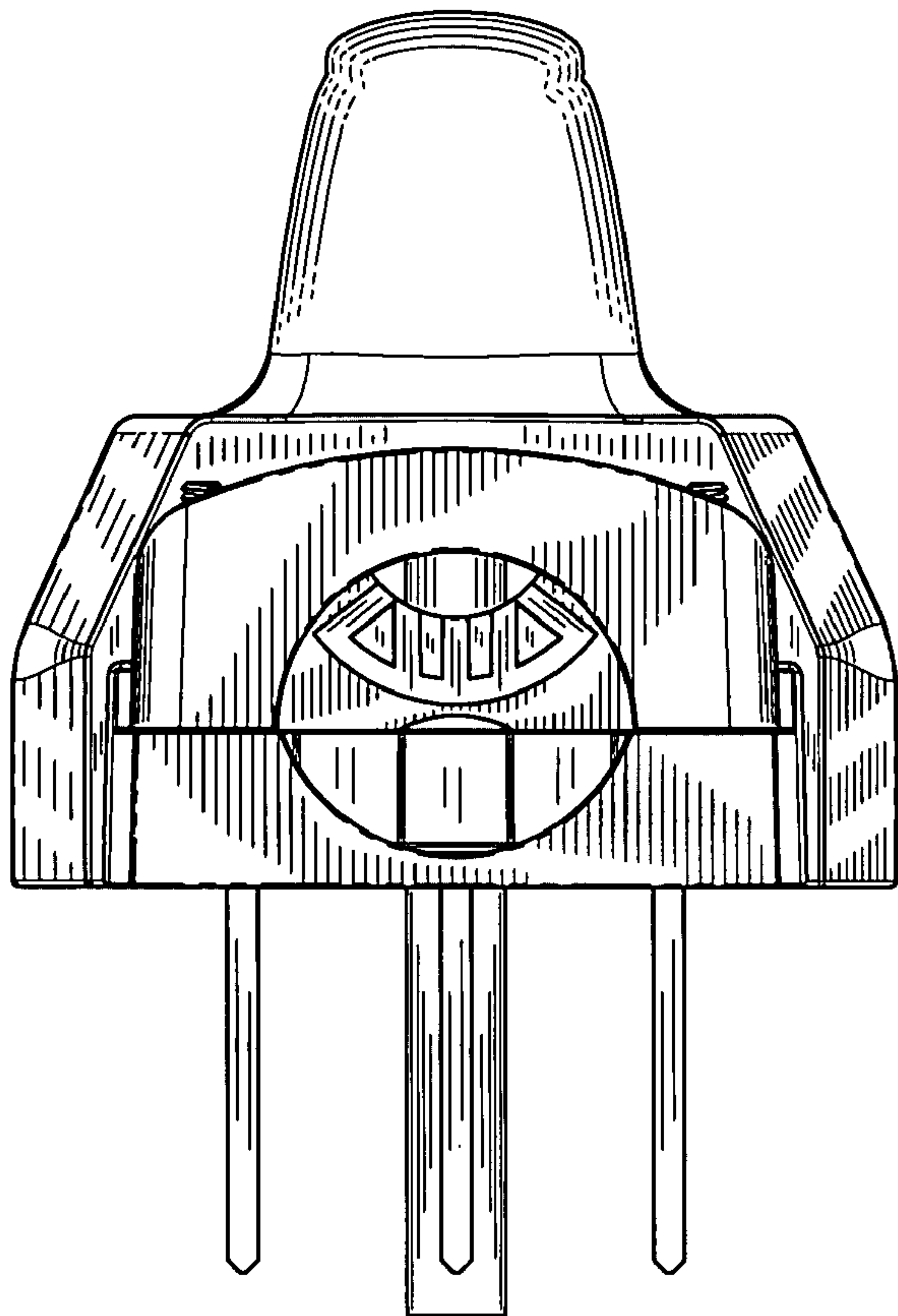


FIG. 9

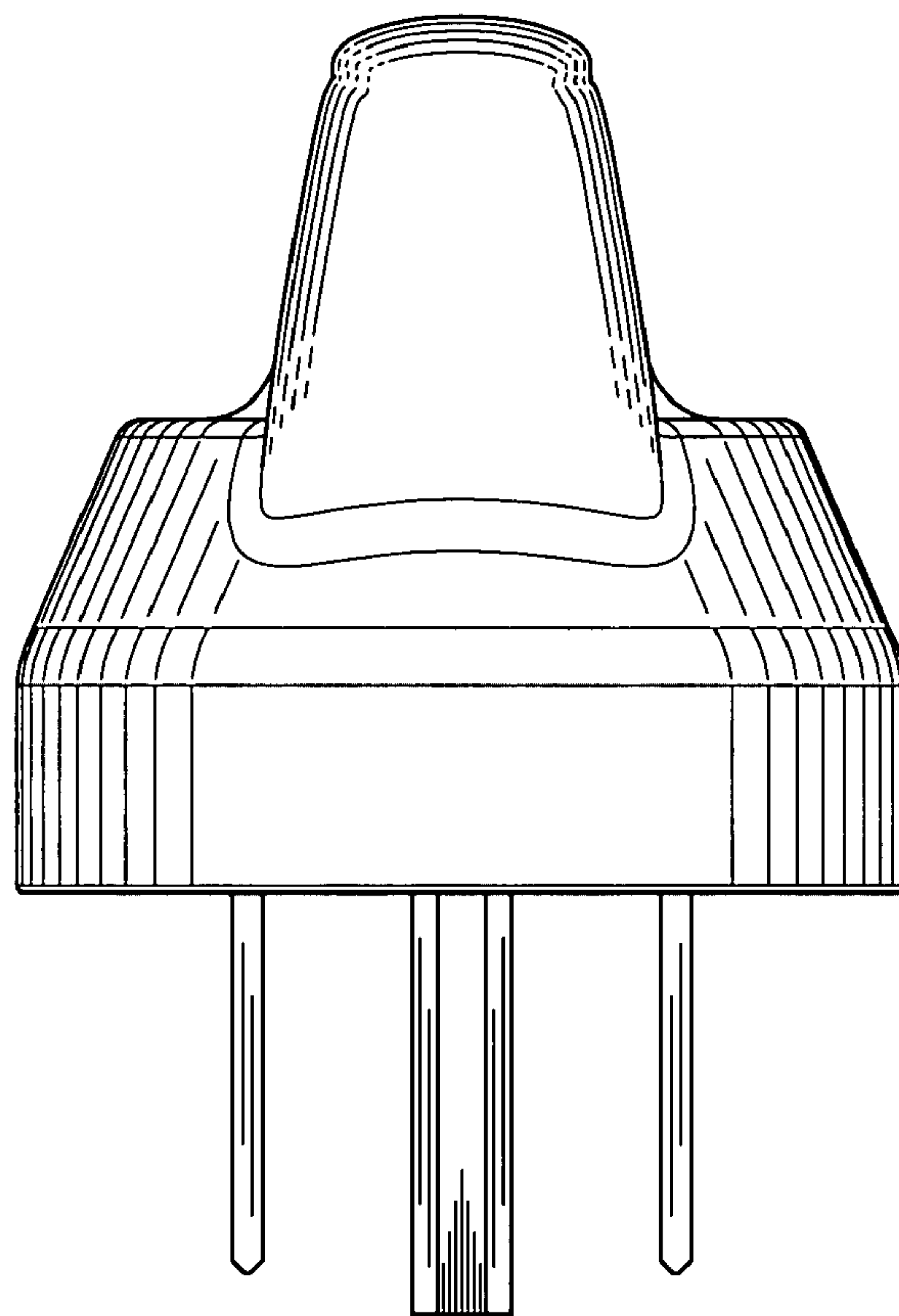


FIG. 10

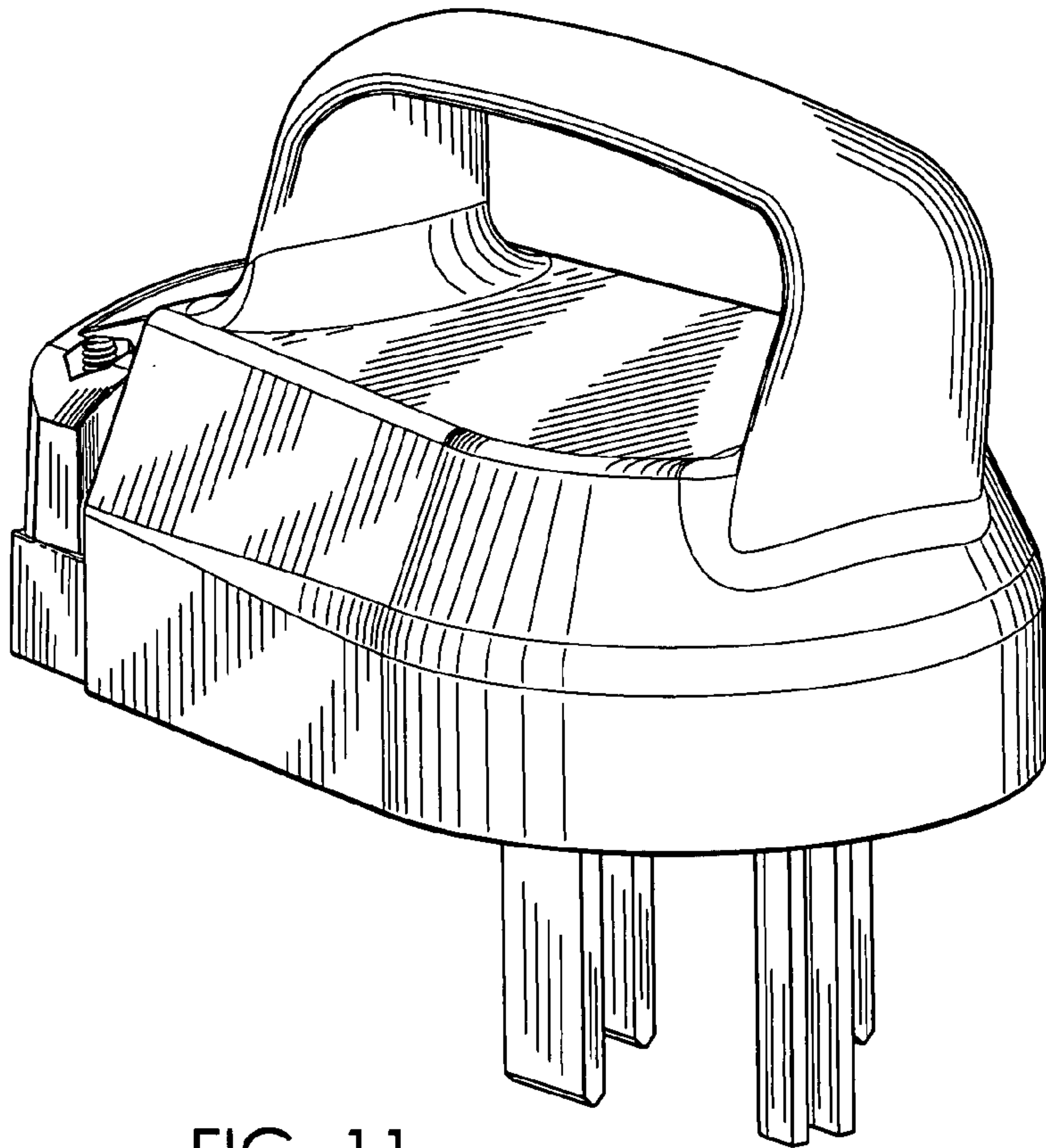


FIG. 11

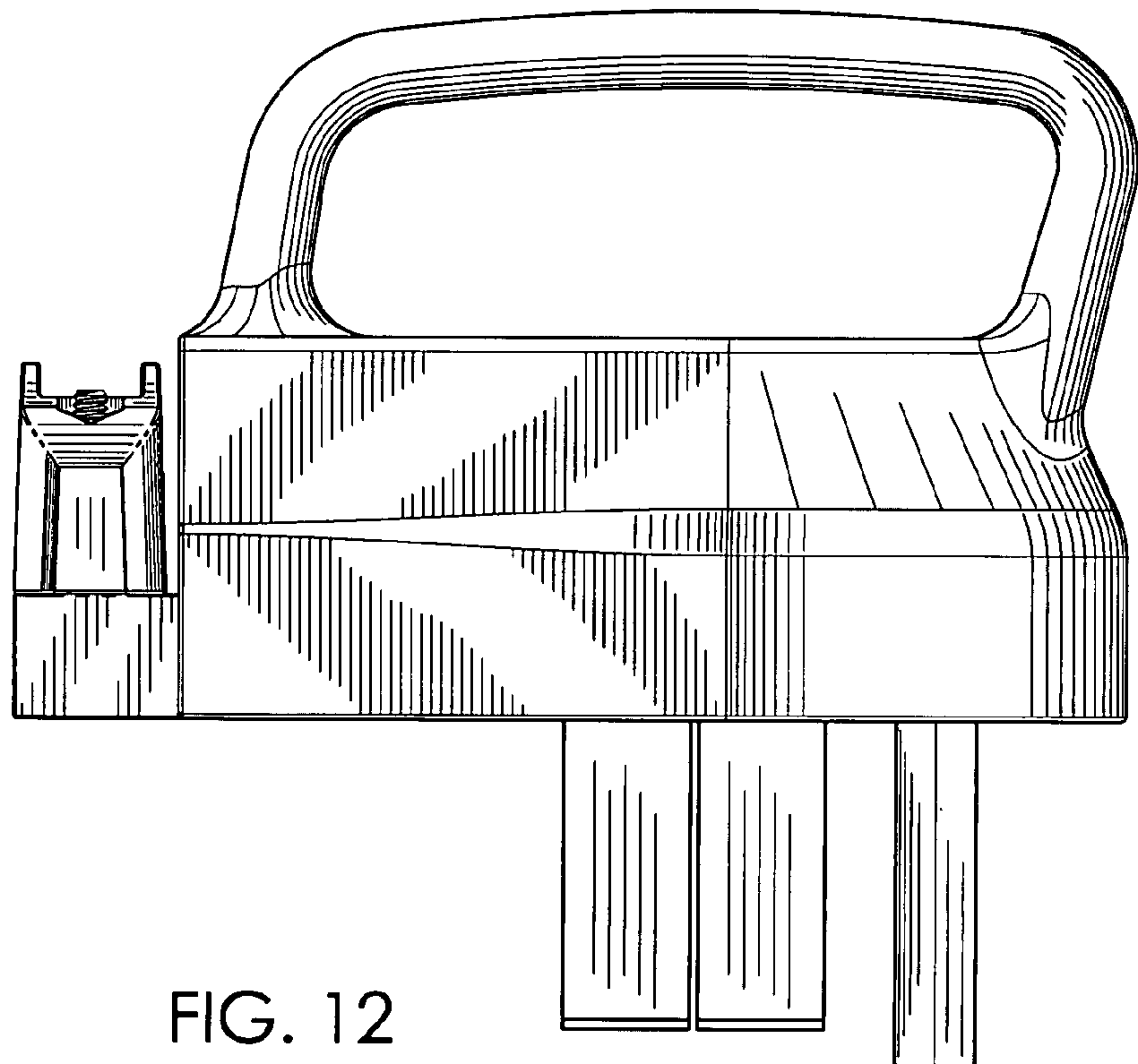


FIG. 12

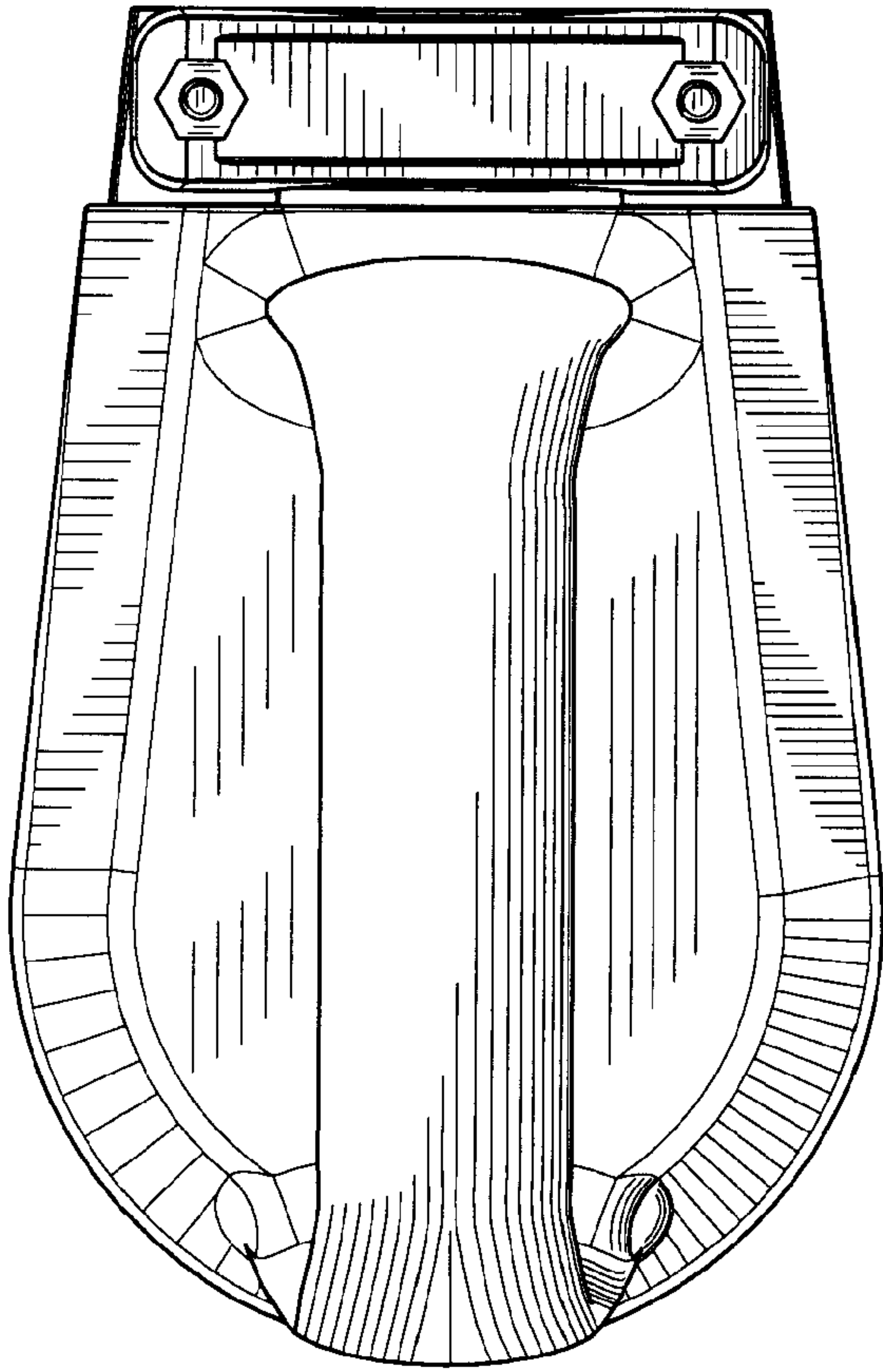


FIG. 13

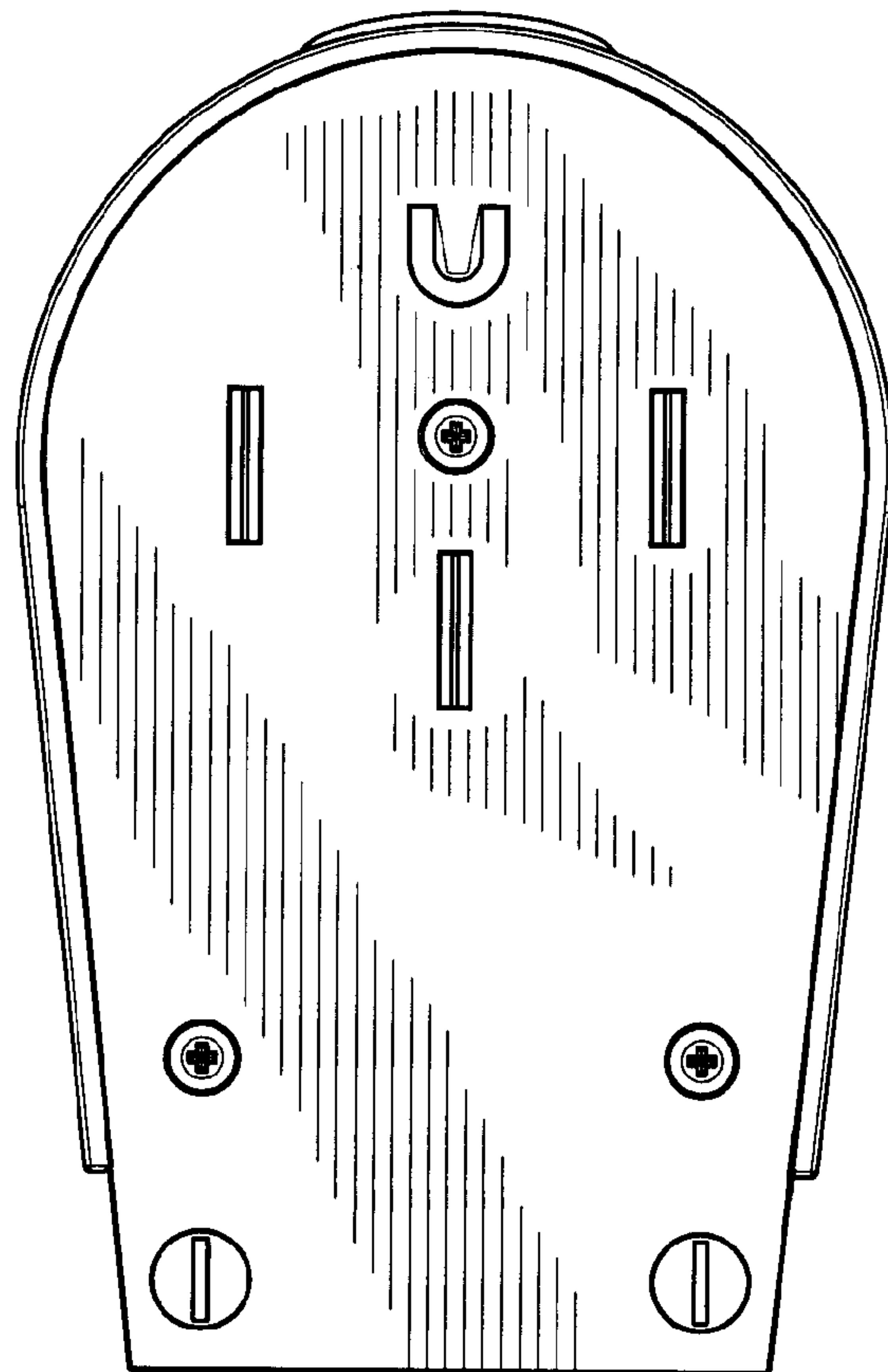


FIG. 14