



(12) **United States Design Patent**
Russell et al.

(10) **Patent No.:** **US D549,650 S**
(45) **Date of Patent:** **** Aug. 28, 2007**

(54) **ELECTRICAL GENERATOR ADAPTER WITH INDICATOR LIGHT**

(75) Inventors: **Jeffrey R. Russell**, Winston Salem, NC (US); **Ronald S. Boose**, Yadkinville, NC (US)

(73) Assignee: **Camco Manufacturing, Inc.**, Greensboro, NC (US)

(**) Term: **14 Years**

(21) Appl. No.: **29/268,329**

(22) Filed: **Nov. 3, 2006**

(51) **LOC (8) Cl.** **13-03**

(52) **U.S. Cl.** **D13/137.2**

(58) **Field of Classification Search** . D13/137.1-137.4, D13/138.1, 138.2, 139.1, 139.6-139.8, 133, D13/154, 156; 439/171-172, 140, 160, 164, 439/135-138, 446, 131, 606, 105-106, 11, 439/13, 31, 650-655, 628, 476.1, 478, 480, 439/483-484, 696, 692, 645-646; 174/53-58; 337/197-198

See application file for complete search history.

(56) **References Cited**

U.S. PATENT DOCUMENTS

3,393,395	A	7/1968	Hubbell	
3,500,291	A	3/1970	Hubbell et al.	
D238,176	S *	12/1975	Korman	D13/137.1
4,241,969	A	12/1980	D'Amato et al.	
4,904,195	A	2/1990	Thackeray	
D375,292	S *	11/1996	D'Amato	D13/137.1
D376,129	S *	12/1996	Muller et al.	D13/137.1
D379,619	S *	6/1997	Muller et al.	D13/137.2
D381,624	S *	7/1997	Muller et al.	D13/110
D381,627	S *	7/1997	Muller et al.	D13/137.2

D384,328	S *	9/1997	Muller et al.	D13/137.2
D407,371	S *	3/1999	Pudims et al.	D13/138.2
D462,056	S *	8/2002	Chung	D13/137.1
D511,748	S *	11/2005	Caine et al.	D13/154
D519,457	S *	4/2006	Pinson	D13/137.2
D523,811	S *	6/2006	Pinson	D13/137.2

OTHER PUBLICATIONS

Gen-Tran 30-Amp RV Adapter Plug, Electric Generators Direct Website (www.electricgeneratorsdirect.com), Oct. 30, 2006.
Marinco L5-30 125V Generator RV Adapter, Kimco USA Website (www.buykimco.com), Oct. 30, 2006.

* cited by examiner

Primary Examiner—Cathron C. Brooks
Assistant Examiner—Rosemary K. Tarcza

(57) **CLAIM**

The ornamental design for an electrical generator adapter with indicator light, as shown and described.

DESCRIPTION

FIG. 1 is a top, right front perspective view of an electrical generator adapter with indicator light embodying our design; FIG. 2 is a bottom, left back perspective view of same electrical generator adapter with indicator light as in FIG. 1 embodying our design;

FIG. 3 is a front side elevational view thereof;

FIG. 4 is a back side elevational view thereof;

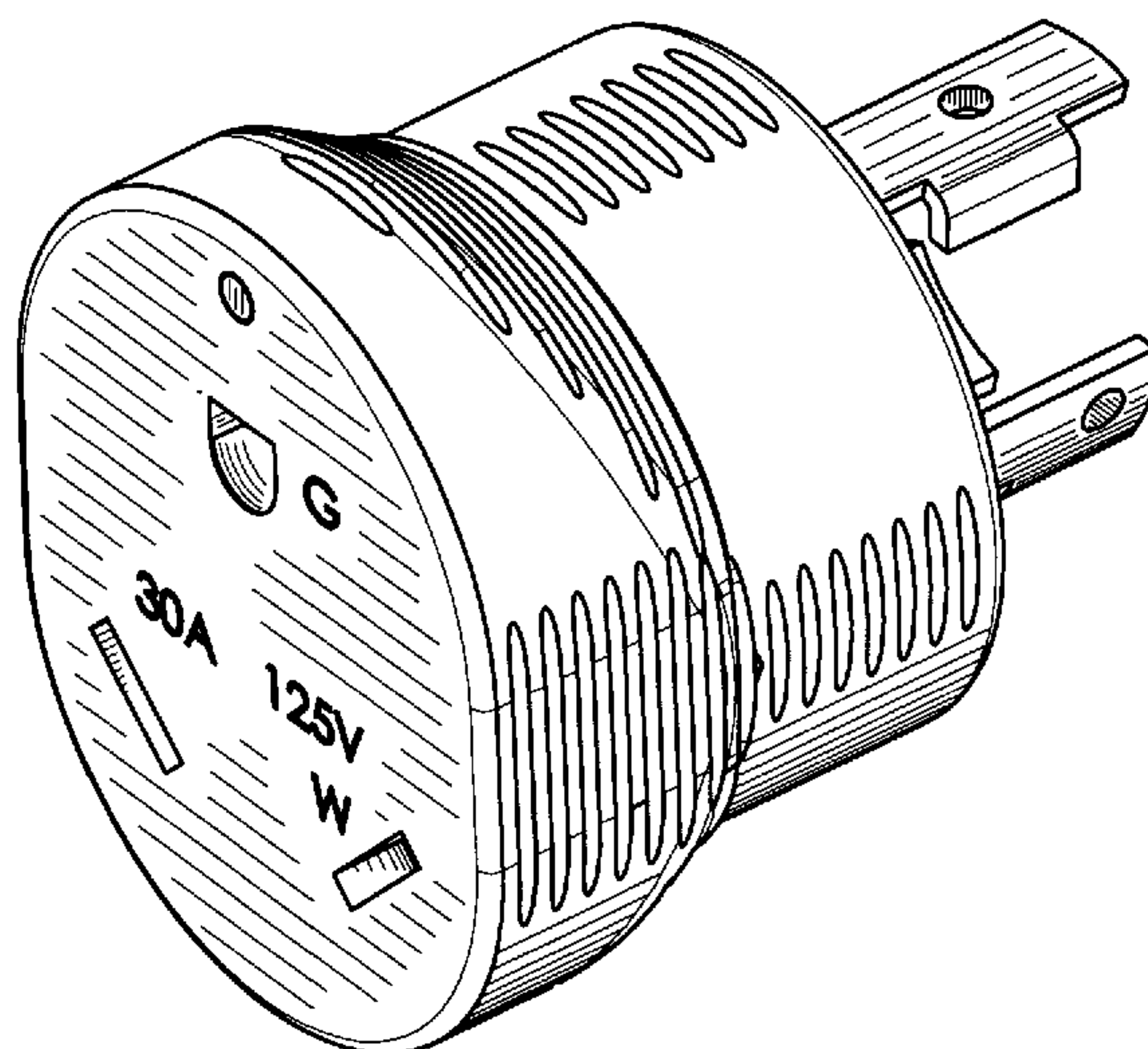
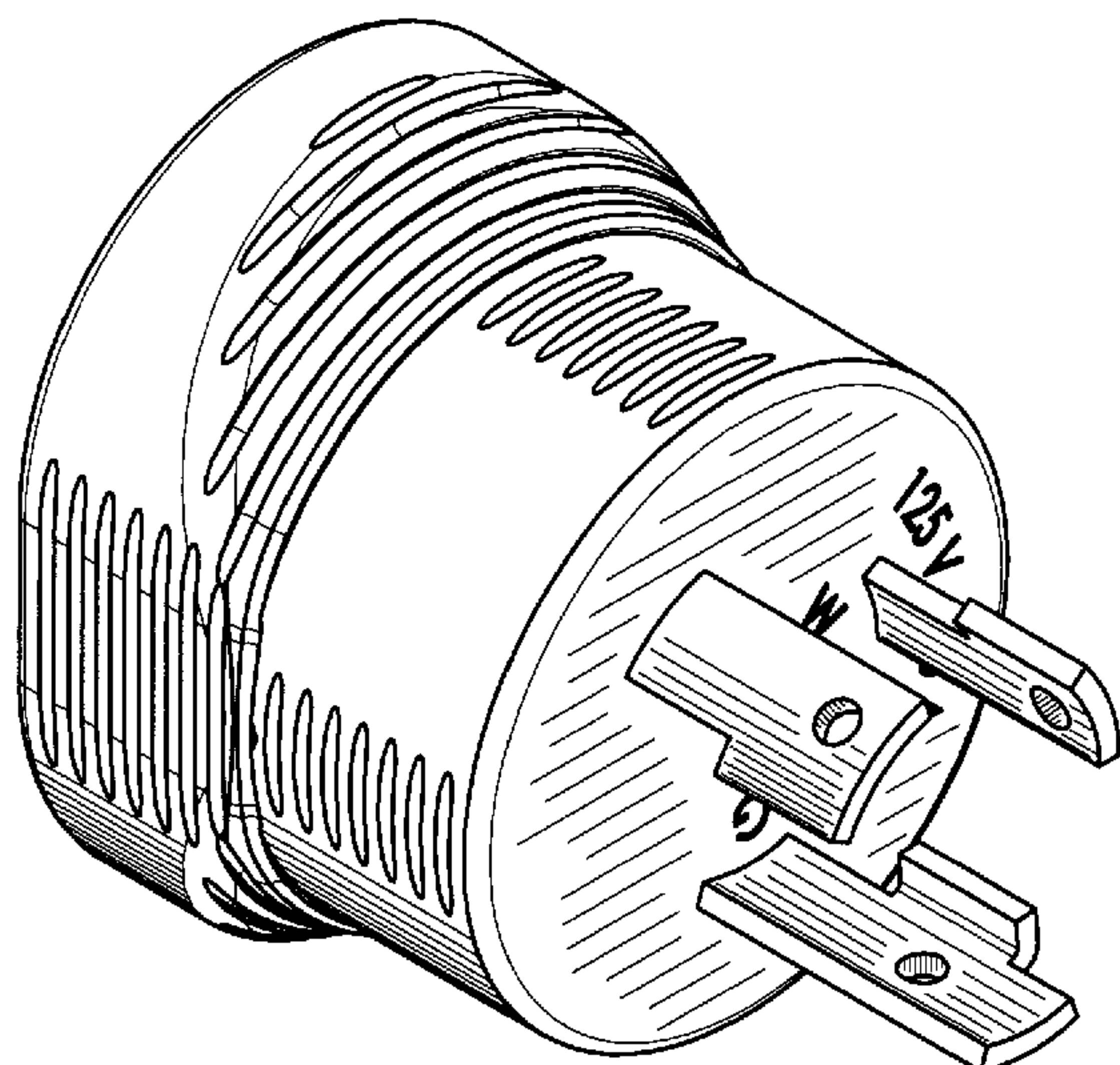
FIG. 5 is right side elevational view thereof;

FIG. 6 is a left side elevational view thereof;

FIG. 7 is a top plan view thereof; and,

FIG. 8 is a bottom plan view thereof.

1 Claim, 4 Drawing Sheets



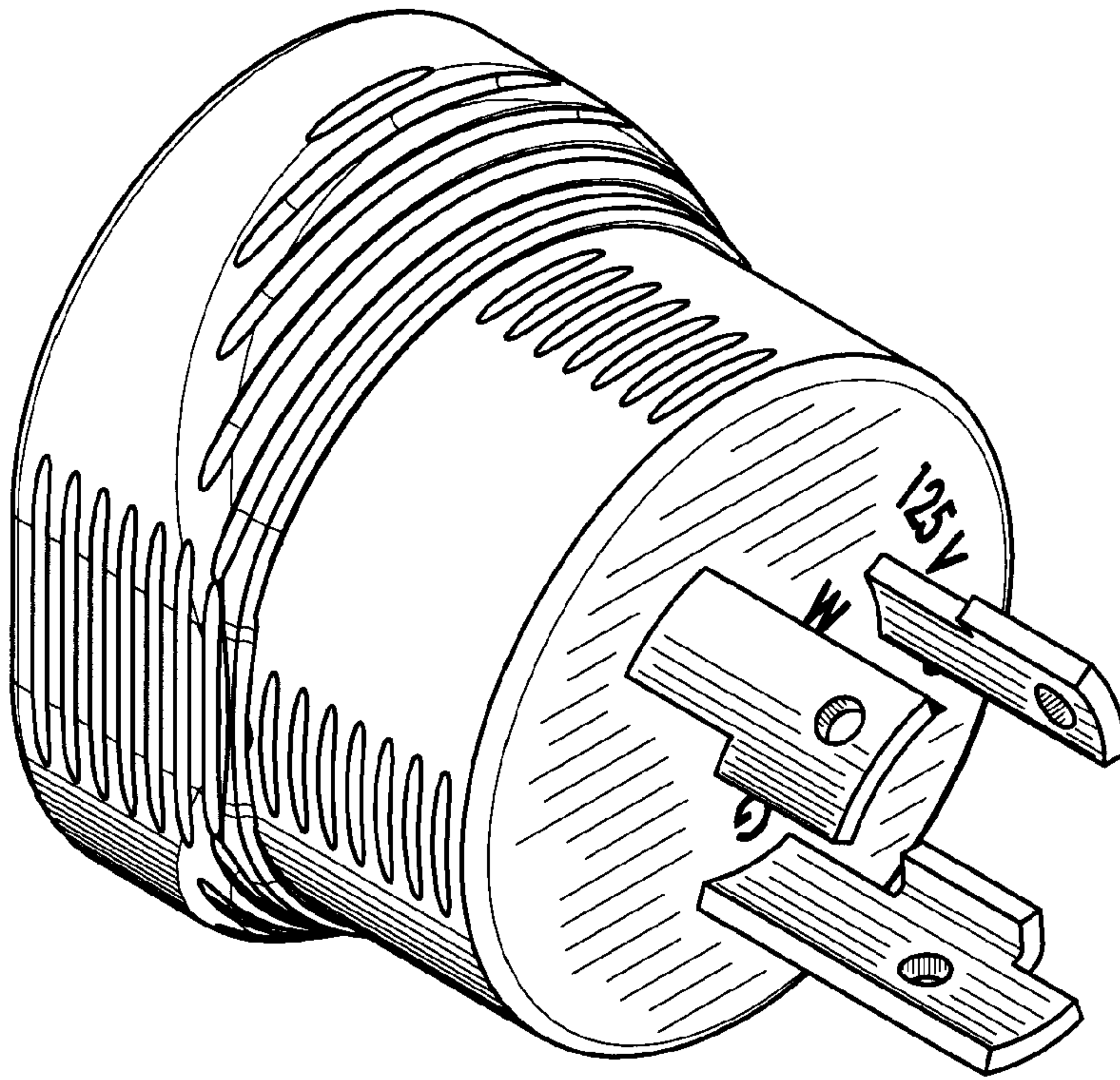


FIG. 1

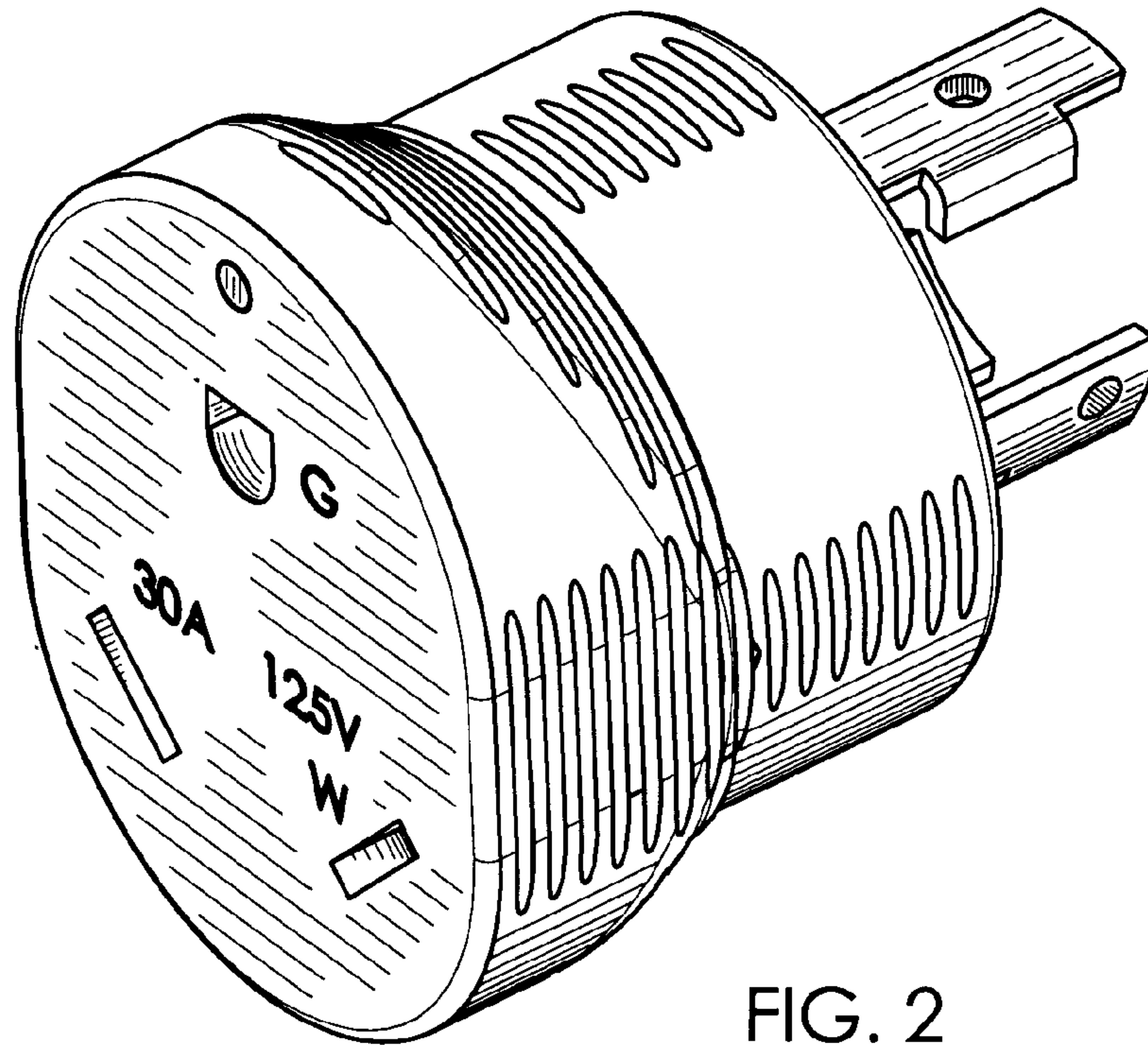


FIG. 2

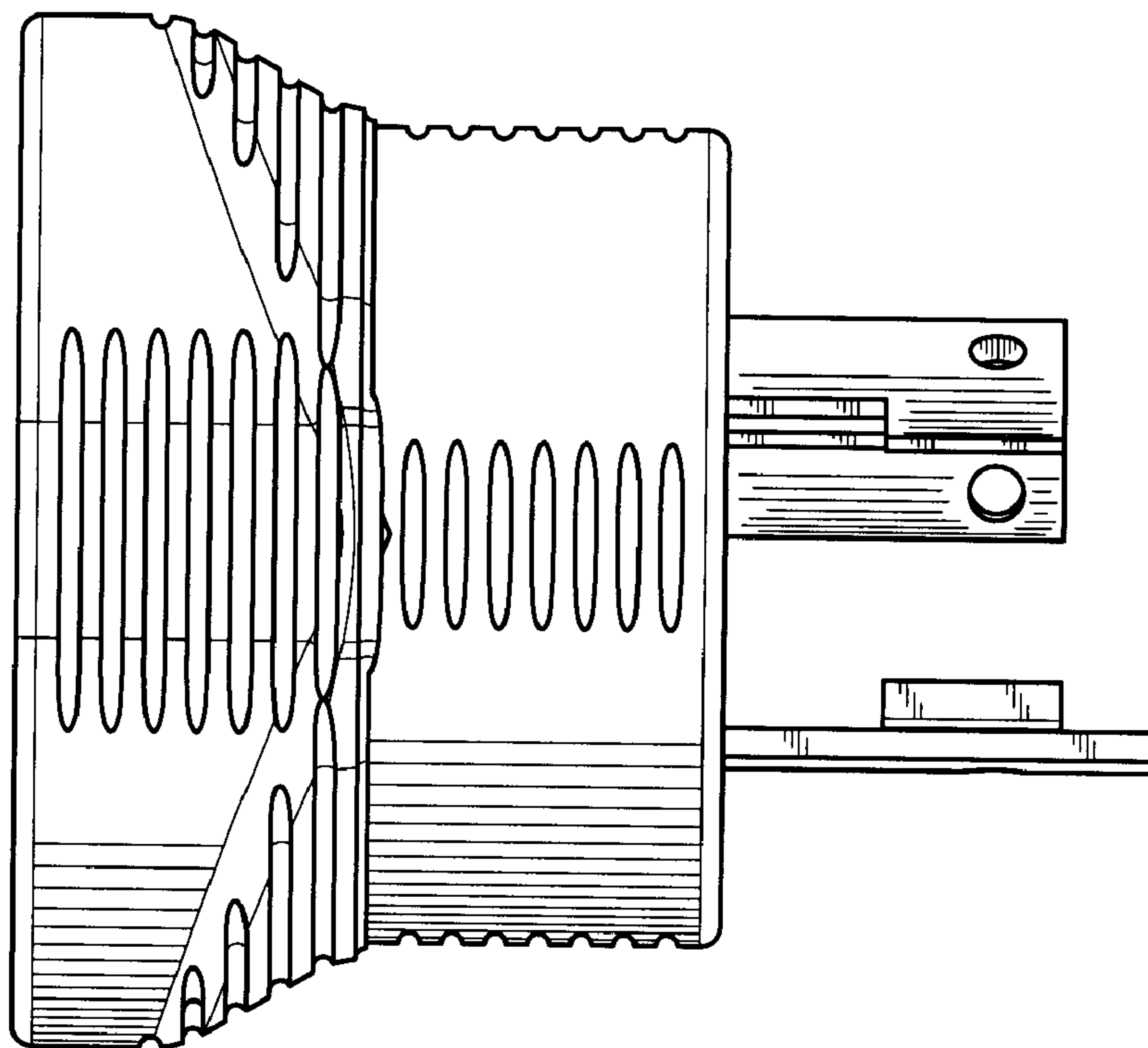


FIG. 3

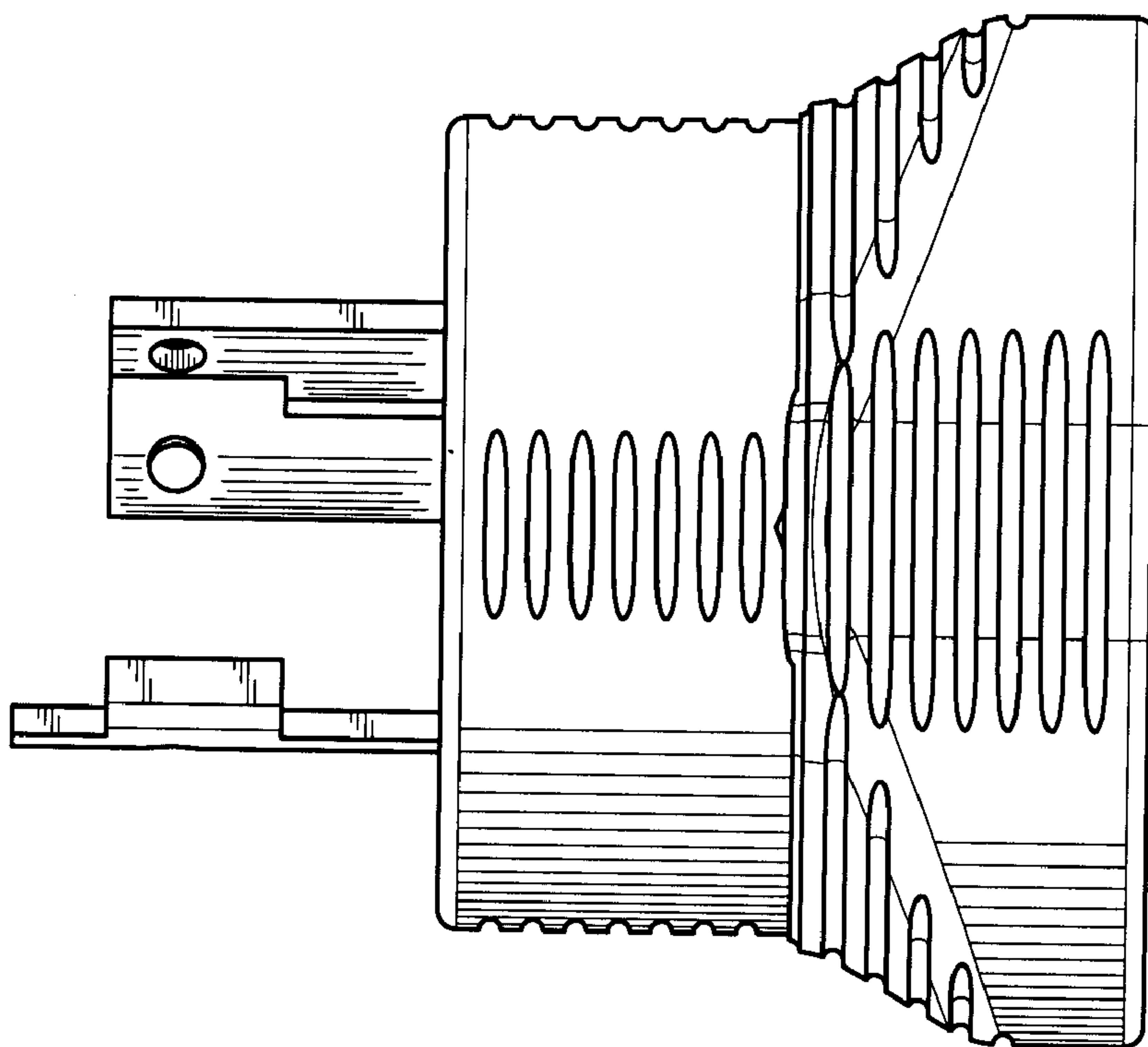


FIG. 4

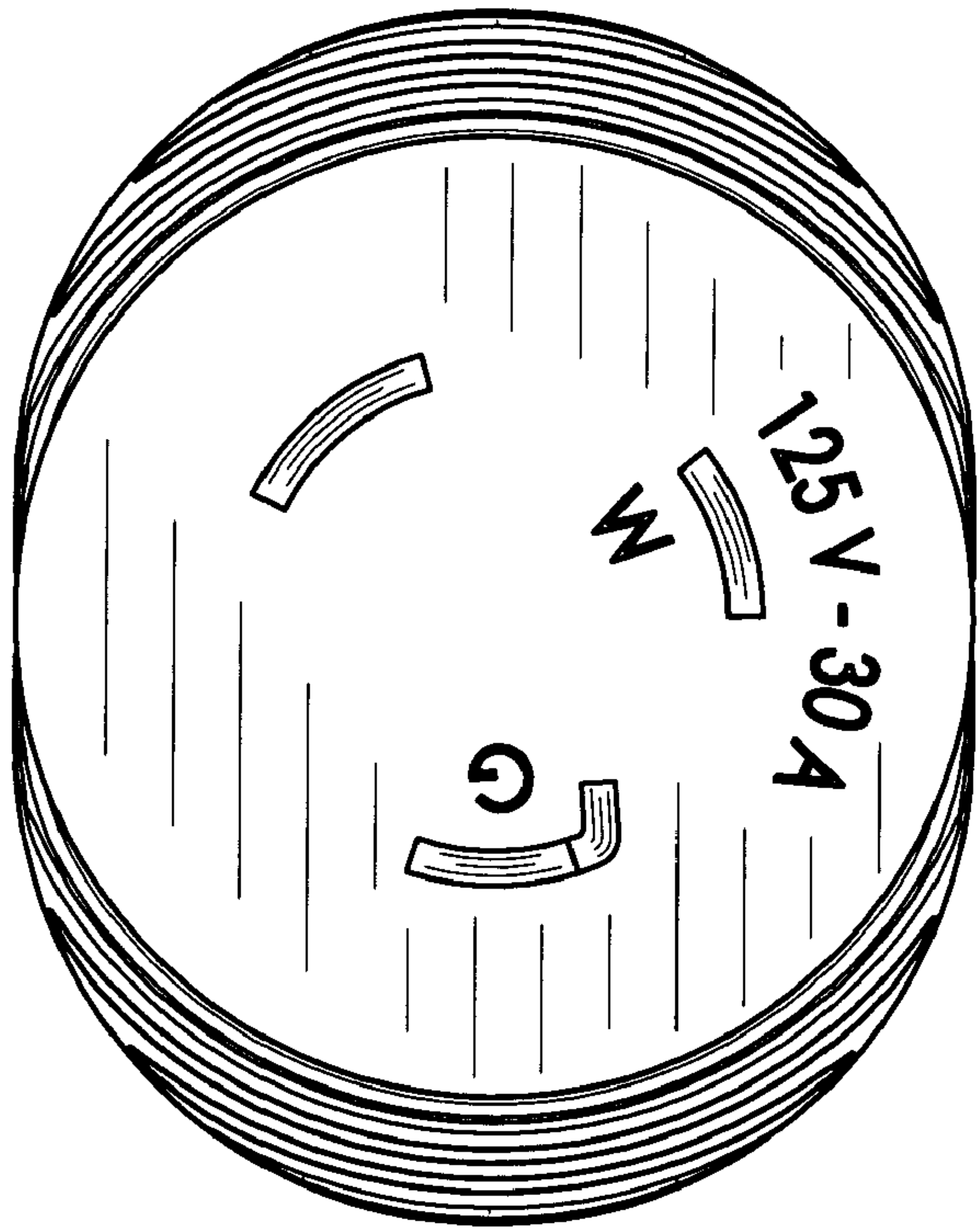


FIG. 5

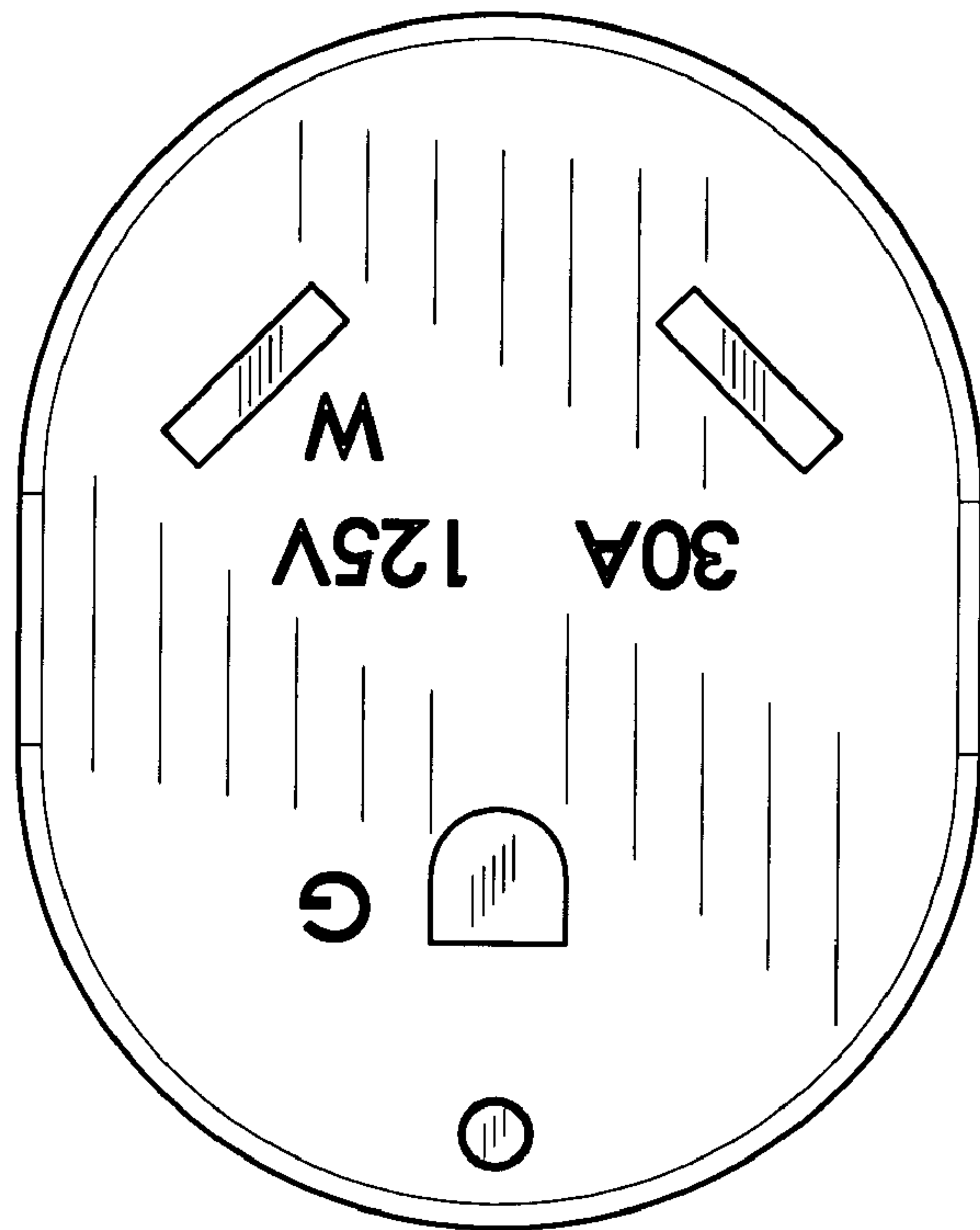


FIG. 6

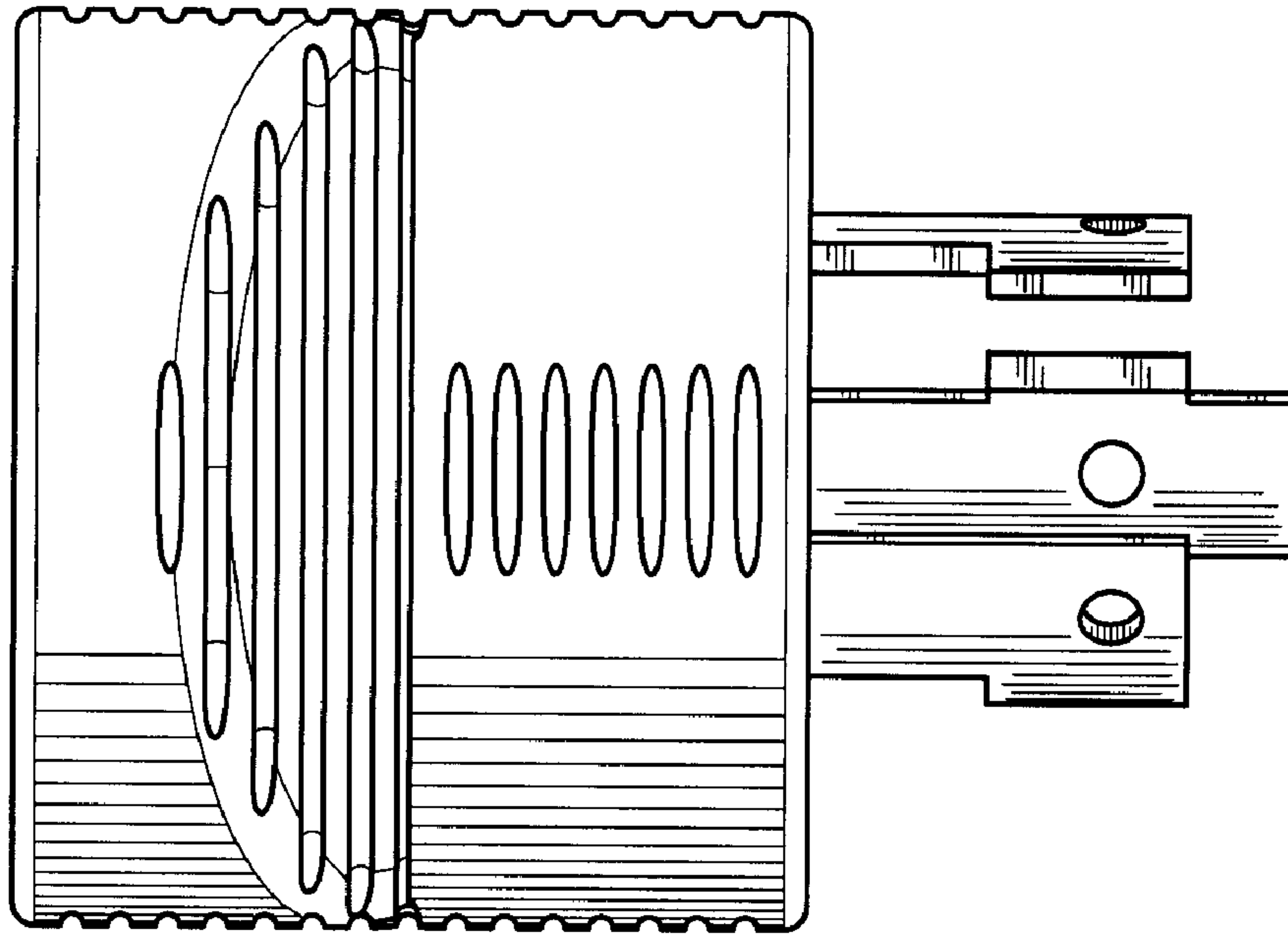


FIG. 7

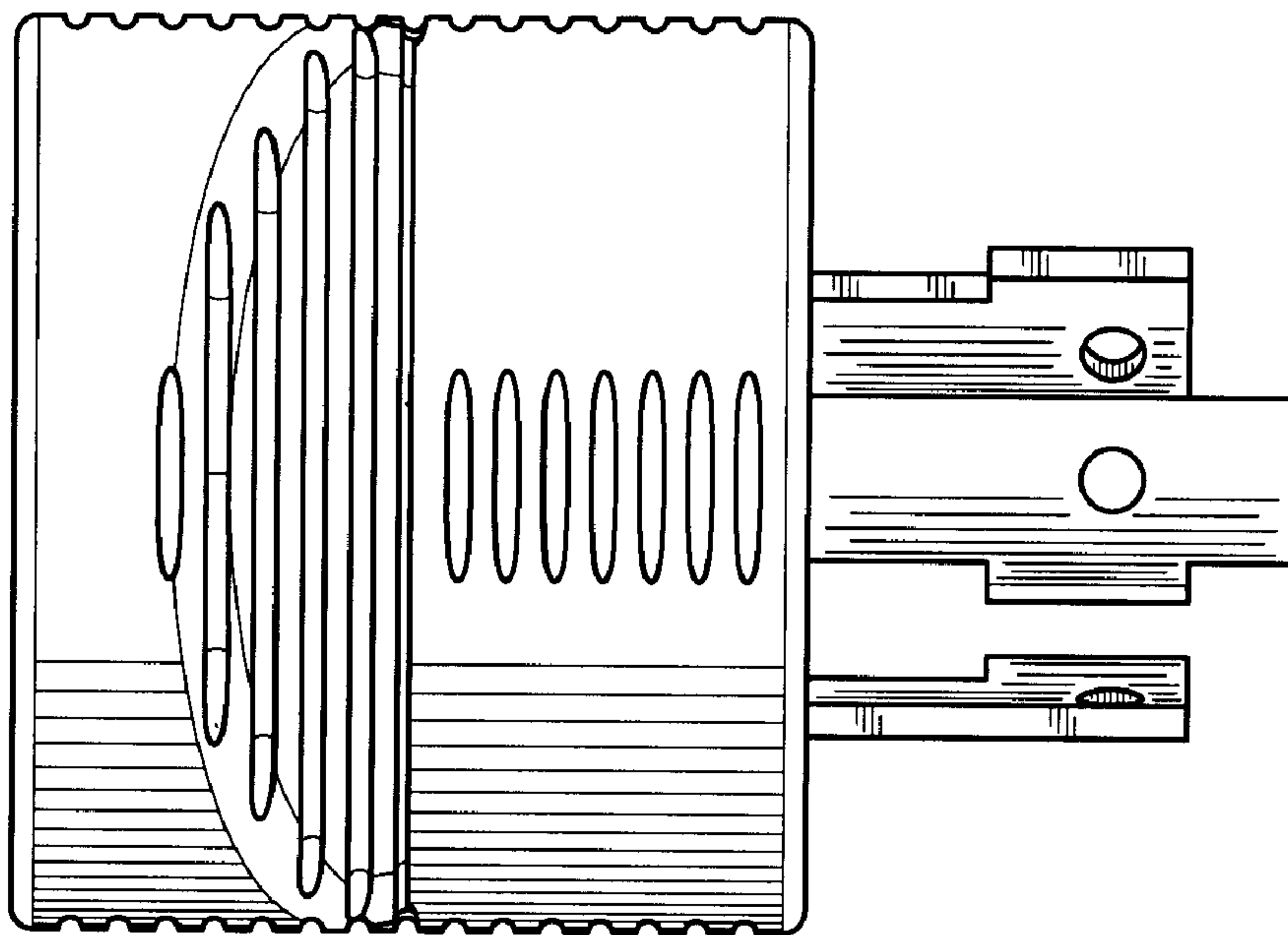


FIG. 8