



US00D549649S

(12) **United States Design Patent**
Ciancanelli et al.

(10) **Patent No.:** **US D549,649 S**

(45) **Date of Patent:** **** Aug. 28, 2007**

(54) **STEPPED OVAL SOCKET ELECTRICAL CONNECTOR**

(75) Inventors: **Gino J. Ciancanelli**, Southbury, CT (US); **Betty Jean Zayas**, Bridgeport, CT (US)

(73) Assignee: **LightSources Inc.**, Orange, CT (US)

(**) Term: **14 Years**

(21) Appl. No.: **29/266,717**

(22) Filed: **Sep. 26, 2006**

(51) **LOC (8) Cl.** **13-03**

(52) **U.S. Cl.** **D13/136; D13/134**

(58) **Field of Classification Search** D13/133-136, D13/154, 184, 199; D26/24, 113; 313/318.01, 313/318.02, 318.03, 318.05, 318.12; 362/260, 362/581; 439/168, 220, 226, 232, 280, 336, 439/419, 602

See application file for complete search history.

(56) **References Cited**

U.S. PATENT DOCUMENTS

D304,716 S	*	11/1989	Johnson et al.	D13/134
D317,751 S	*	6/1991	Kozono	D13/147
5,630,729 A	*	5/1997	Francis	439/548
D402,960 S	*	12/1998	Harada	D13/134
D417,193 S	*	11/1999	Itaya et al.	D13/136

D475,014 S	*	5/2003	Kano	D13/133
6,971,917 B2	*	12/2005	Faust et al.	439/619
2005/0227541 A1	*	10/2005	Garcia et al.	439/619

* cited by examiner

Primary Examiner—Daniel Bui

(74) *Attorney, Agent, or Firm*—Cantor Colburn LLP

(57) **CLAIM**

The ornamental design for a stepped oval socket electrical connector, as shown and described.

DESCRIPTION

FIG. 1 is a top, front, and right side perspective view of a stepped oval socket electrical connector, showing our new design;

FIG. 2 is a top, rear, and left side perspective view thereof;

FIG. 3 is a right side elevation view thereof;

FIG. 4 is a left side elevation view thereof;

FIG. 5 is a front elevation view thereof;

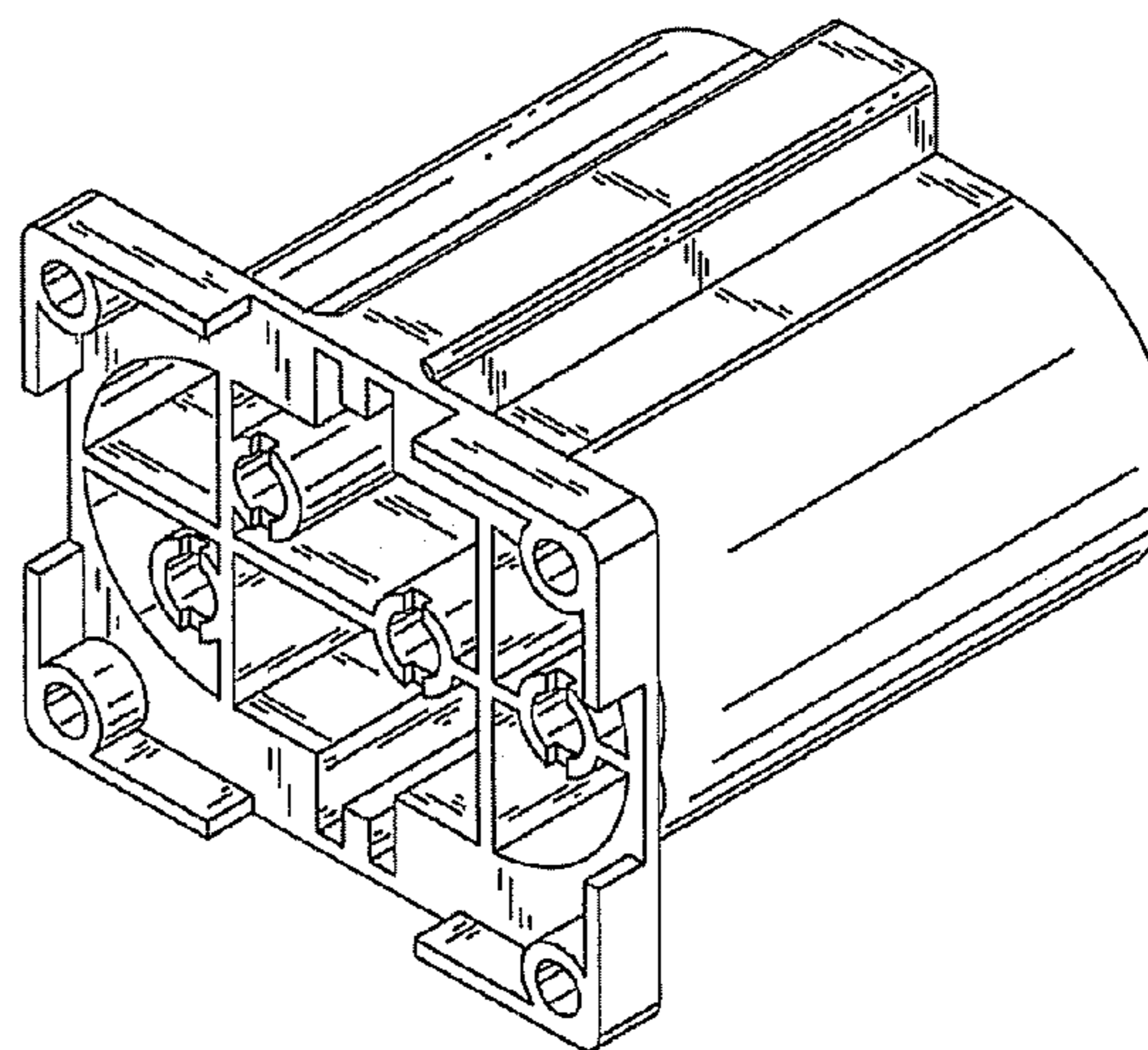
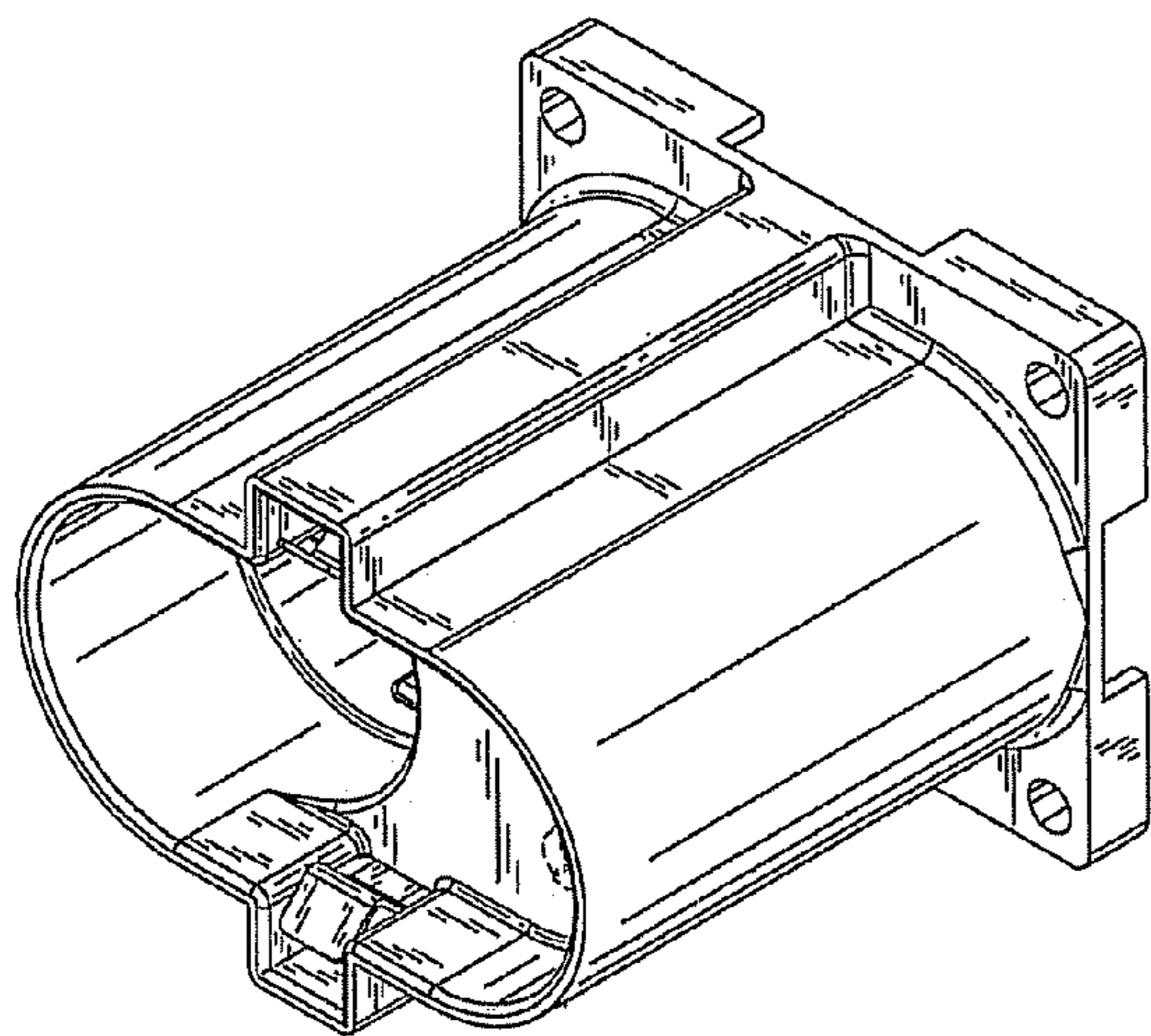
FIG. 6 is a rear elevation view thereof;

FIG. 7 is a top plan view thereof; and,

FIG. 8 is a bottom plan view thereof.

The broken line showing of the environment is for illustrative purposes only and forms no part of the claimed design.

1 Claim, 2 Drawing Sheets



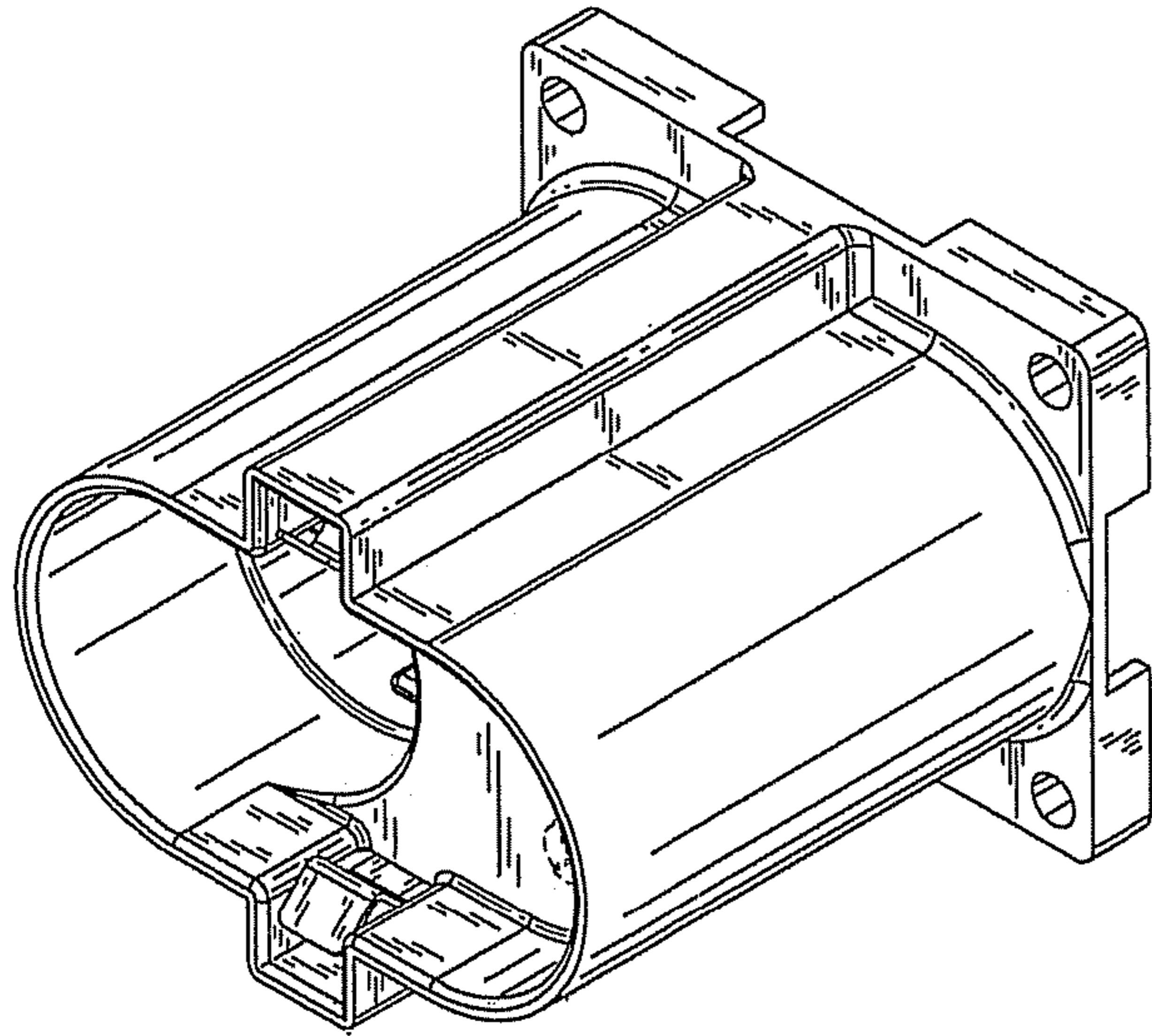


FIG. 1

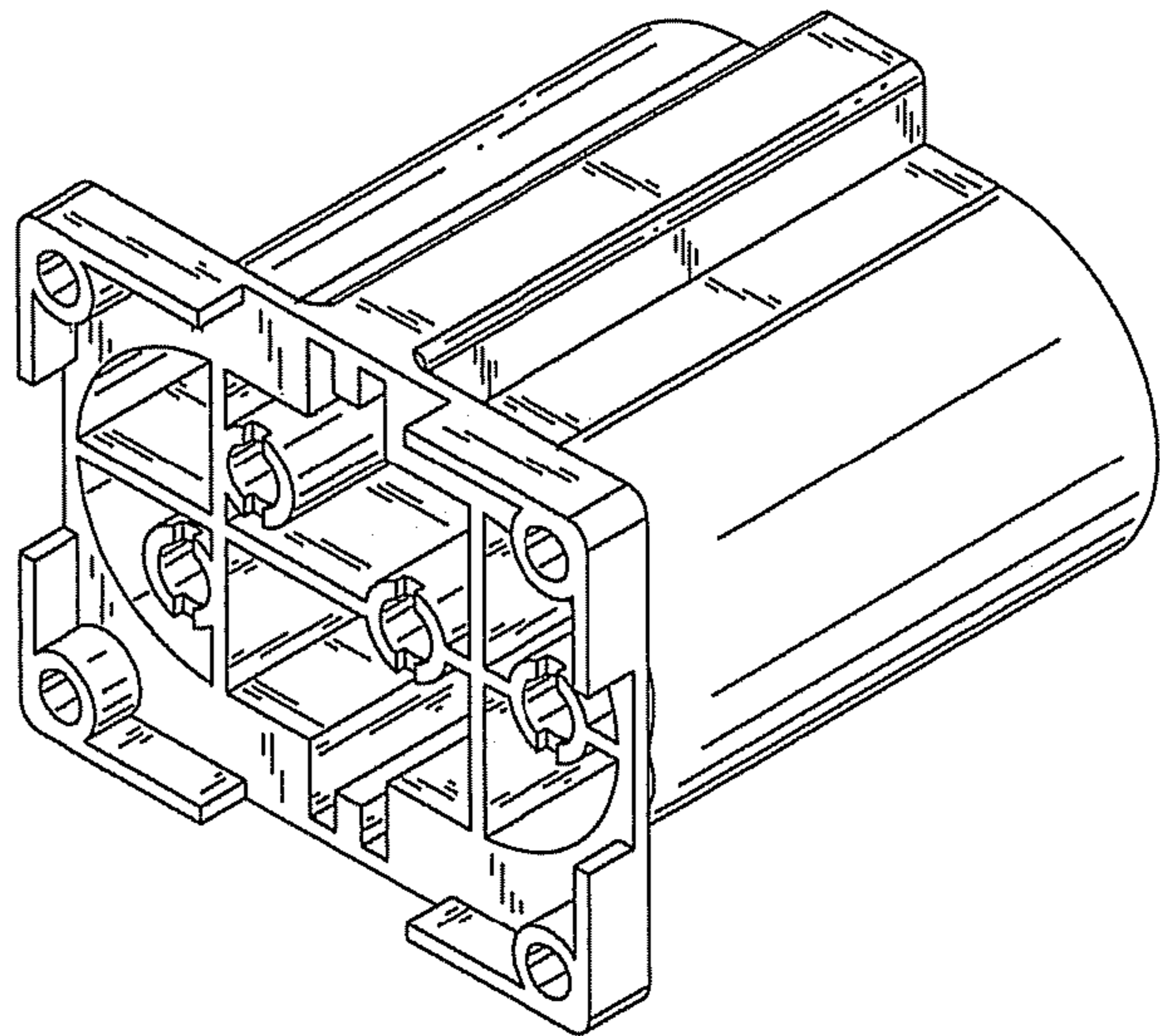


FIG. 2

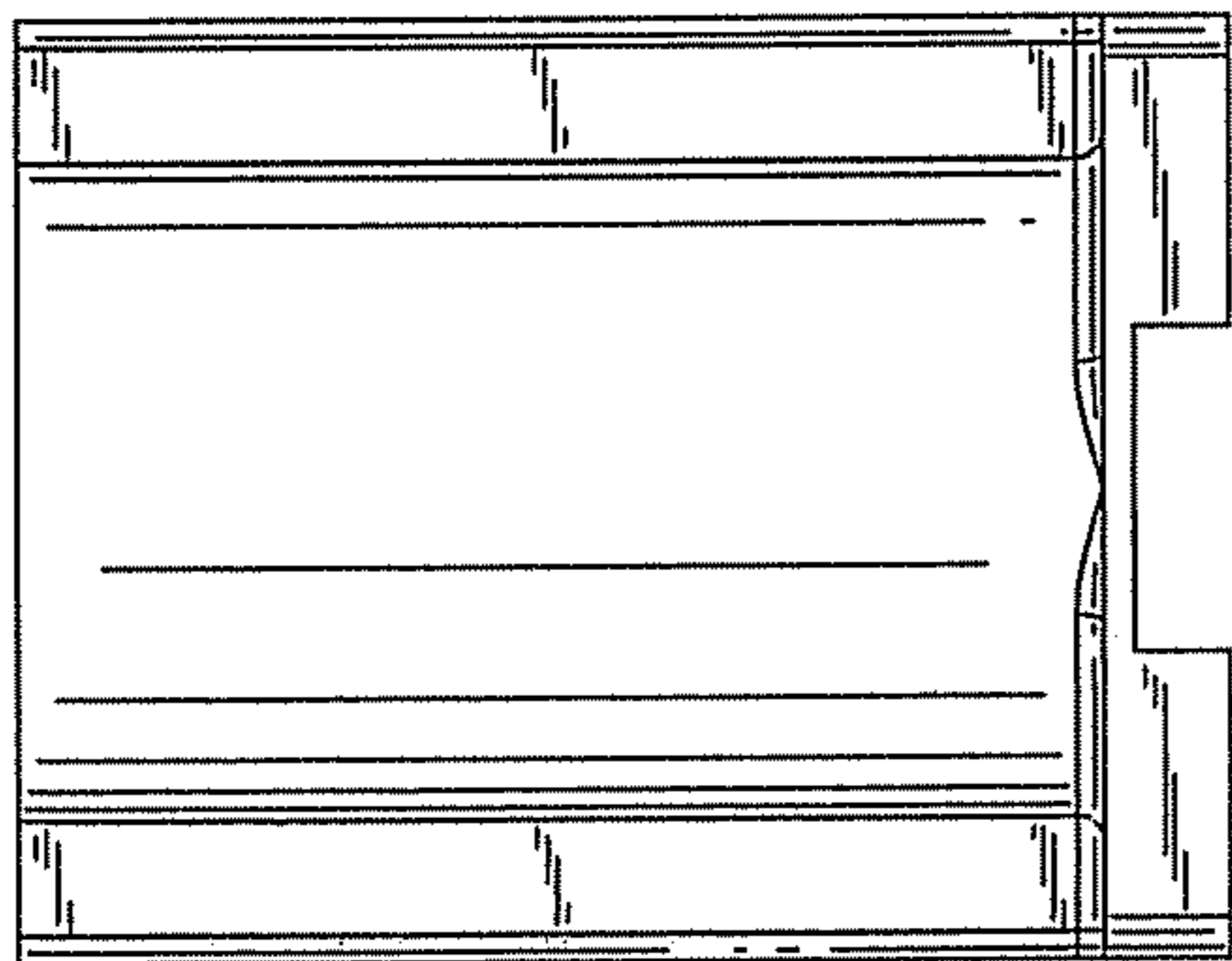


FIG. 3

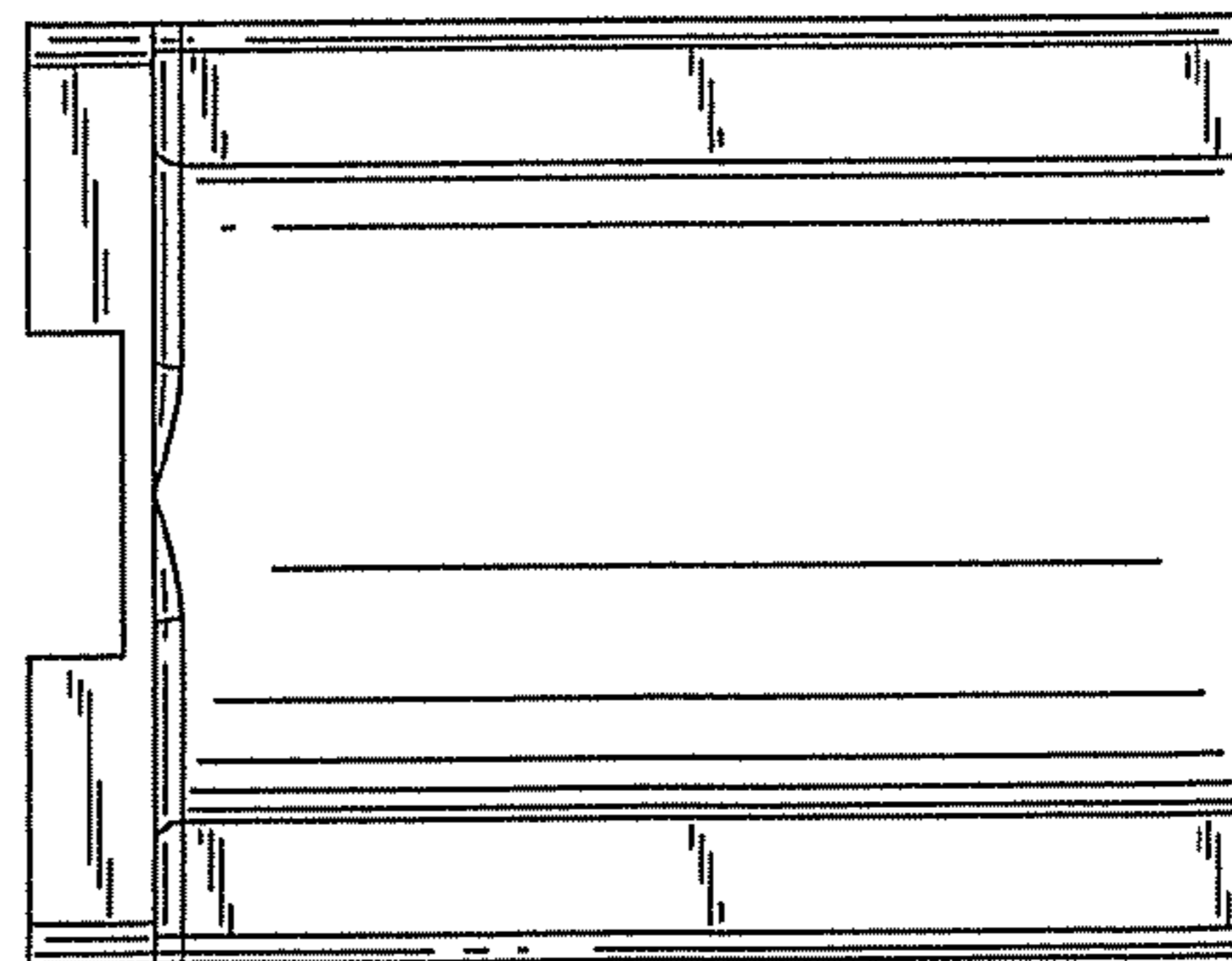


FIG. 4

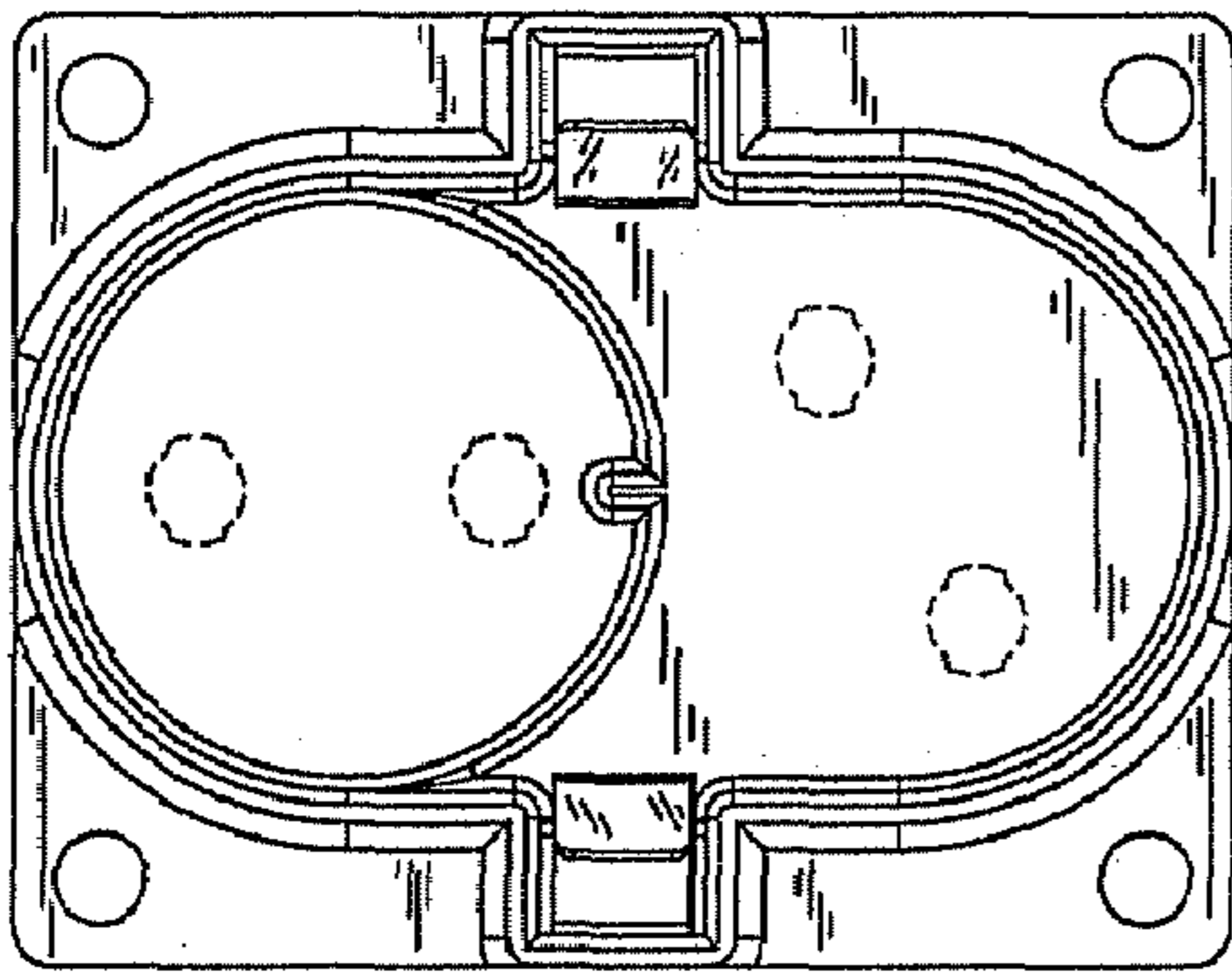


FIG. 5

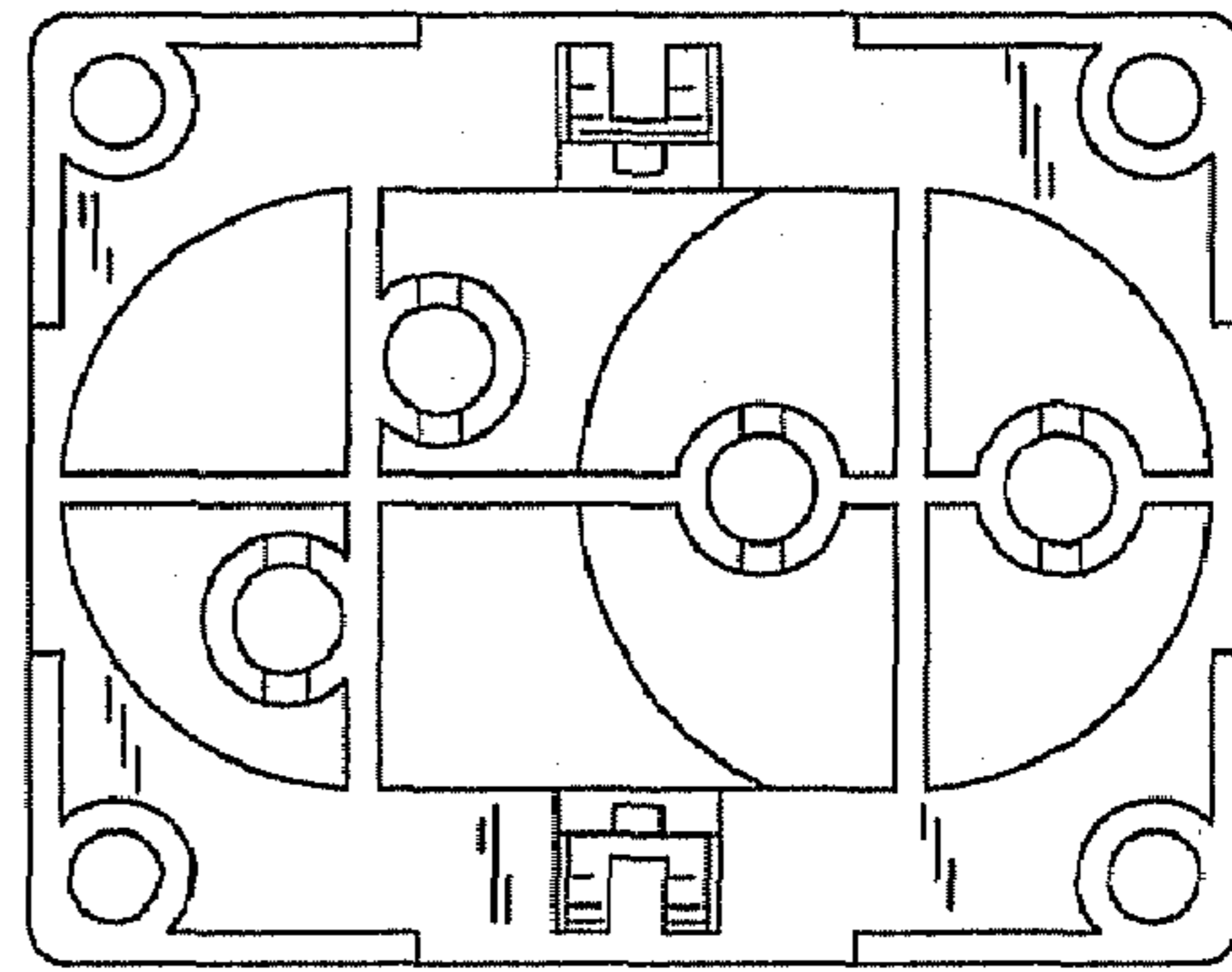


FIG. 6

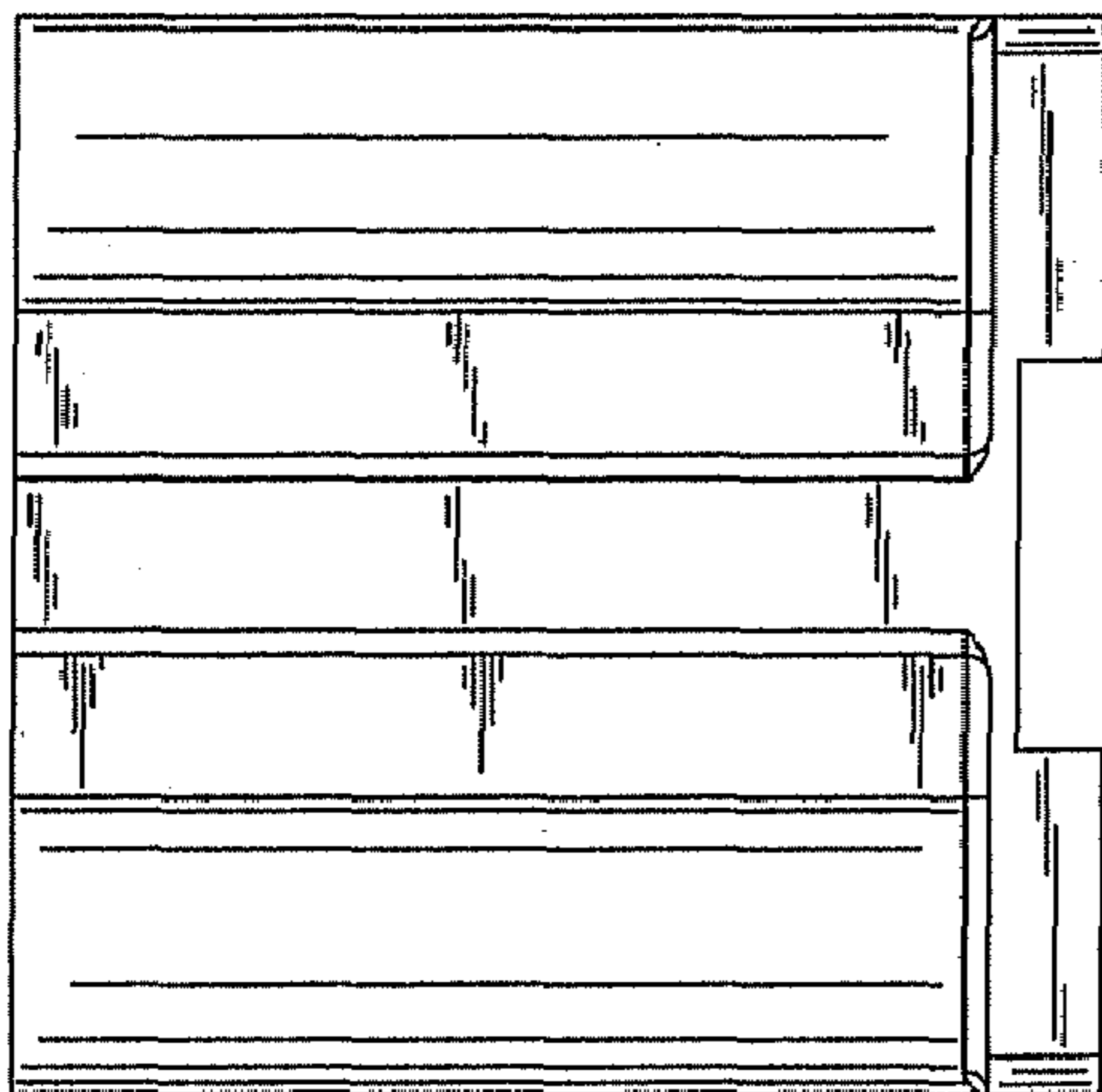


FIG. 7

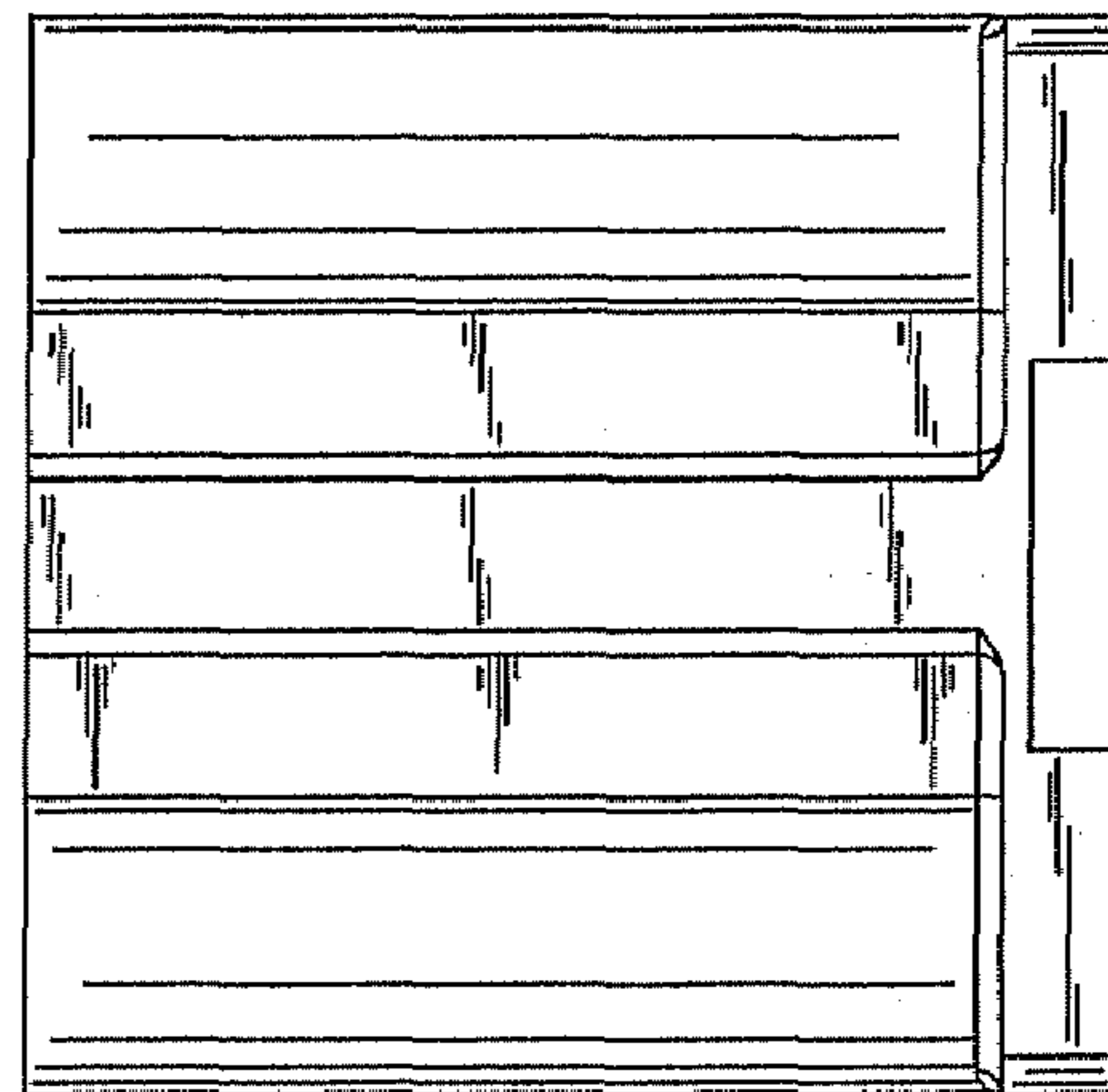


FIG. 8