

US00D549648S

(12) **United States Design Patent**
McNabb

(10) **Patent No.:** **US D549,648 S**

(45) **Date of Patent:** **** Aug. 28, 2007**

(54) **BALLAST BOX**

D478,547 S * 8/2003 Milby D13/110

(76) Inventor: **Stephen L. McNabb**, 171 McKinney Rd., Etowah, NC (US) 28729

* cited by examiner

(**) Term: **14 Years**

Primary Examiner—Stella Reid
Assistant Examiner—Derrick Holland
(74) *Attorney, Agent, or Firm*—Joseph T. Guy; Nexsen Pruet, LLC

(21) Appl. No.: **29/253,703**

(22) Filed: **Feb. 10, 2006**

(57) **CLAIM**

(51) **LOC (8) Cl.** **13-02**

The ornamental design for an ballast box, as shown and described.

(52) **U.S. Cl.** **D13/110**

(58) **Field of Classification Search** D13/110,
D13/101, 122, 152, 184, 199; 174/50; 336/90,
336/96; 361/674; 362/216, 217, 220–225
See application file for complete search history.

DESCRIPTION

(56) **References Cited**

U.S. PATENT DOCUMENTS

- 3,197,545 A * 7/1965 Moore 174/559
- D213,580 S * 3/1969 Osborne D26/63
- 4,374,407 A * 2/1983 Drost et al. 362/432
- 4,924,152 A * 5/1990 Flickinger 315/363
- D353,797 S * 12/1994 Gordin et al. D13/152
- D456,938 S * 5/2002 Wardenburg D26/118

FIG. 1 is a top perspective view of a ballast box showing my new design;

FIG. 2 is a top plan view thereof;

FIG. 3 is a bottom plan view thereof;

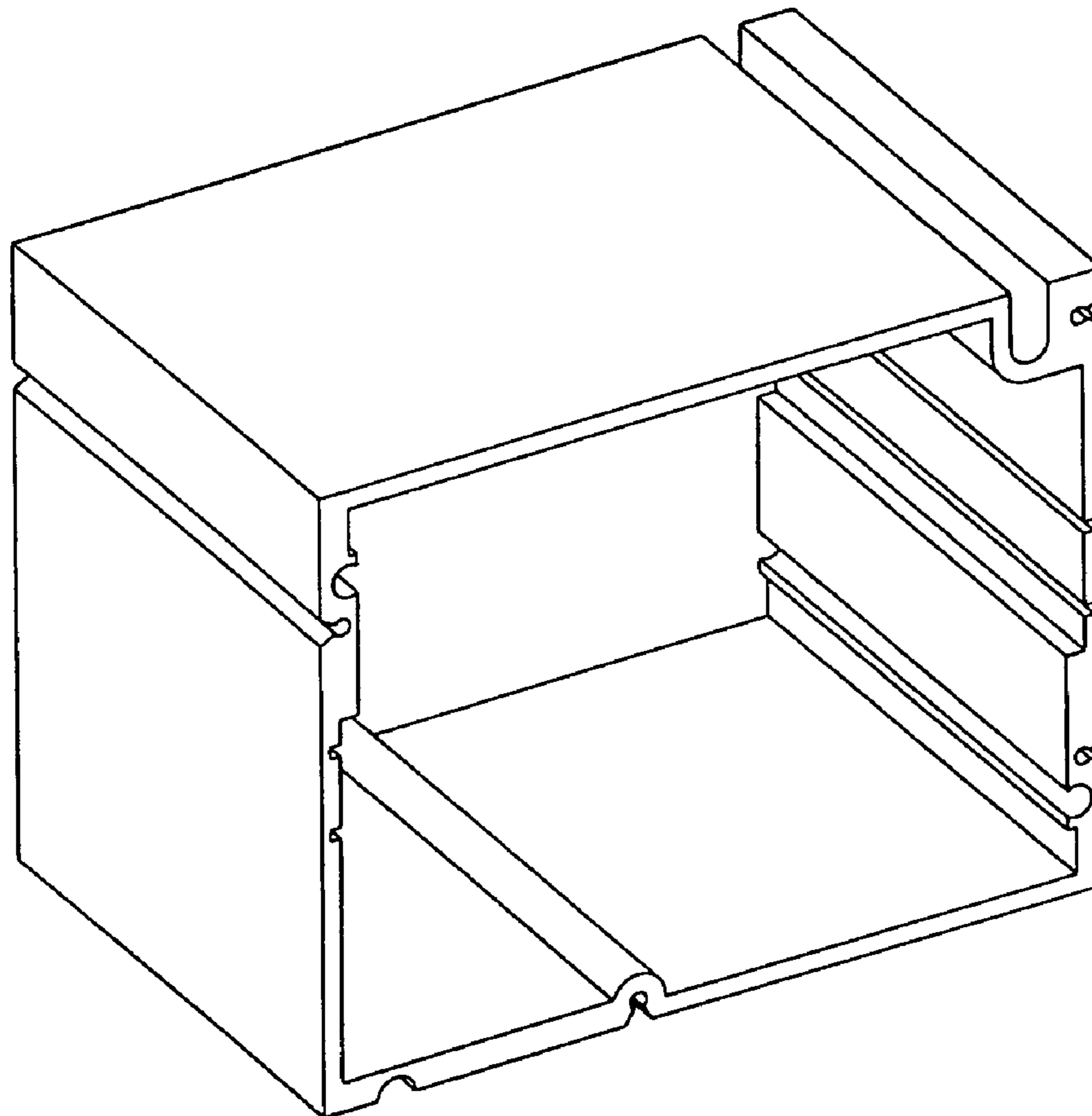
FIG. 4 is a front side view thereof;

FIG. 5 is a left side view thereof;

FIG. 6 is a back side view thereof; and,

FIG. 7 is a right side view thereof.

1 Claim, 7 Drawing Sheets



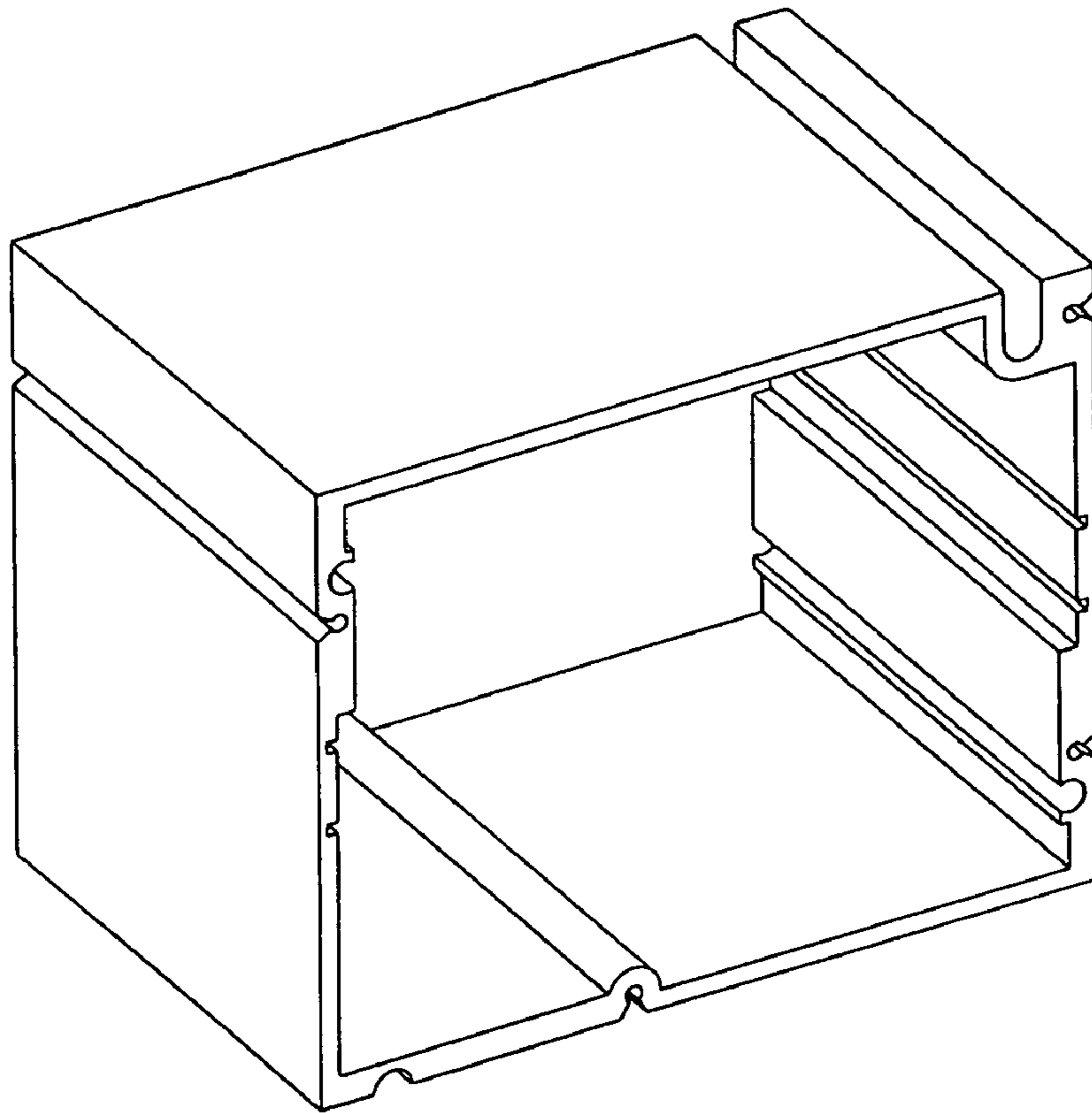


FIG. 1

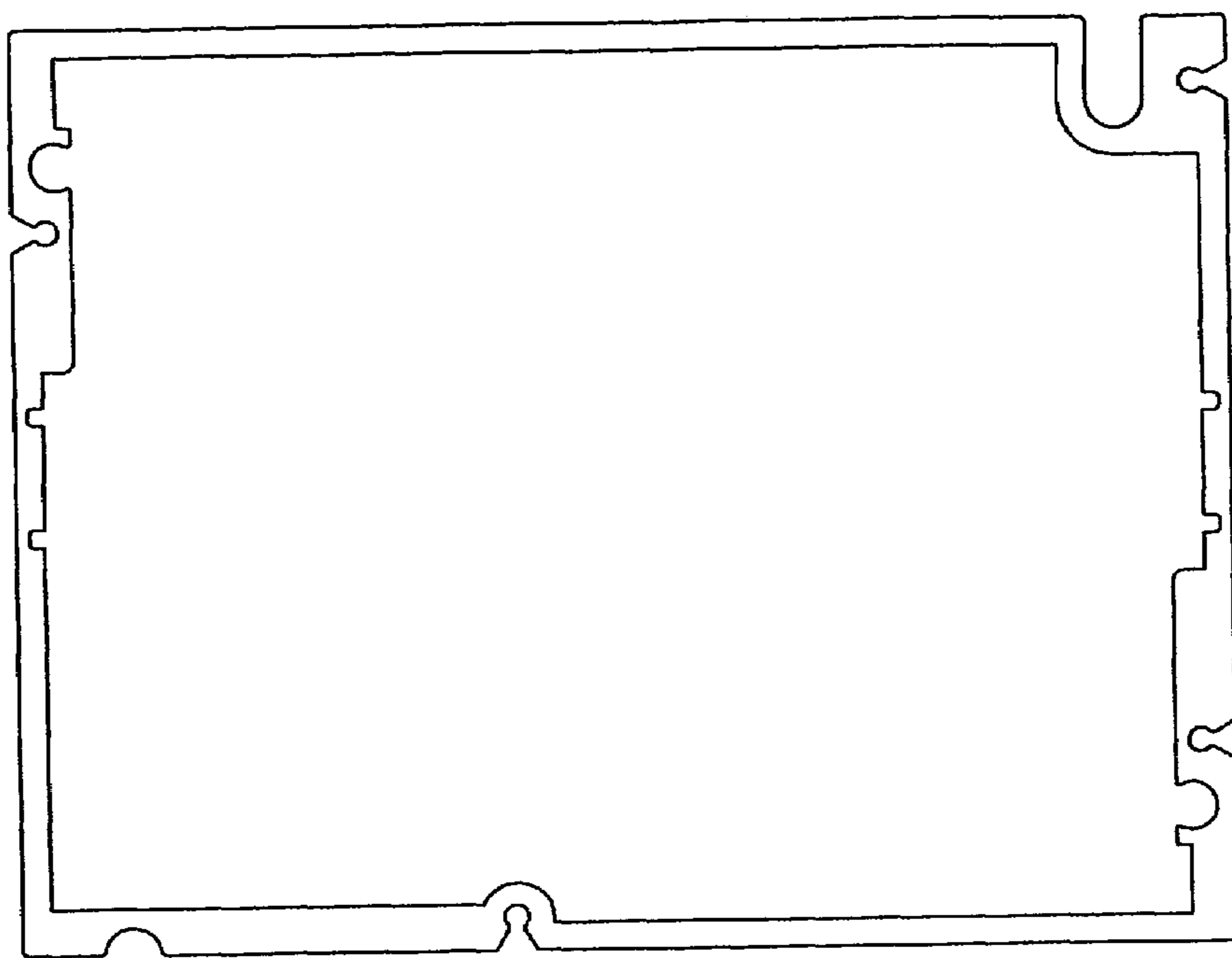


FIG. 2

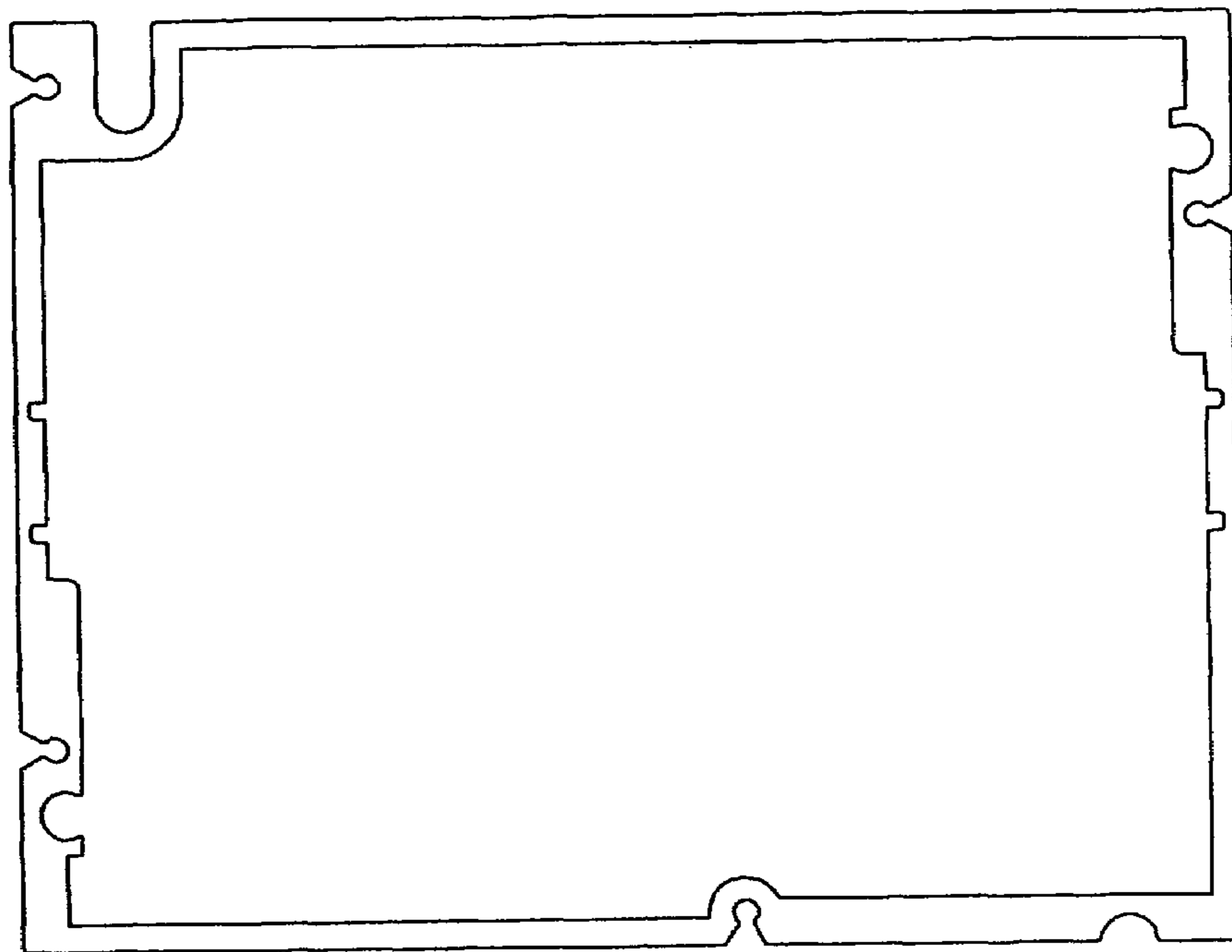


FIG. 3

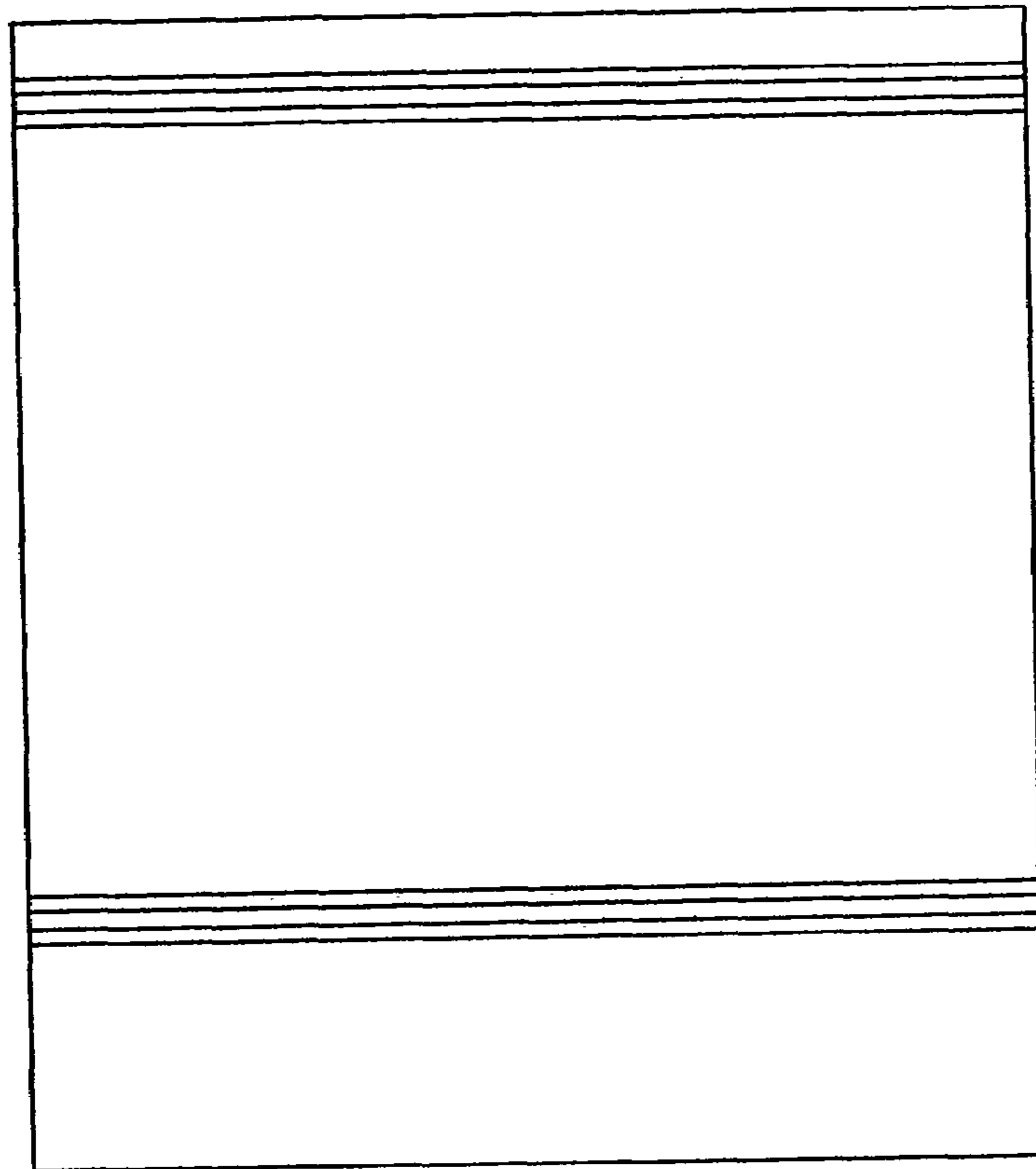


FIG. 4

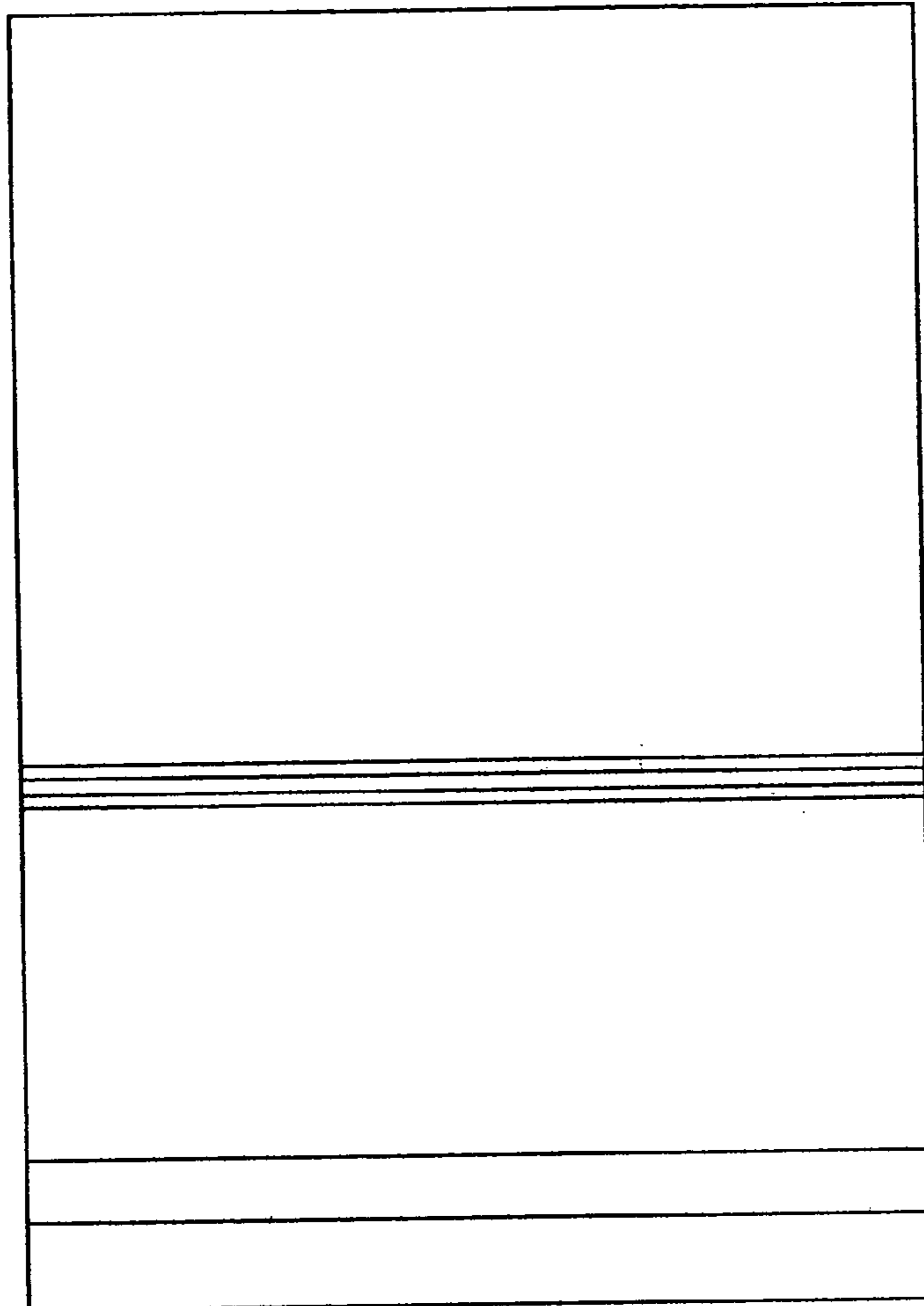


FIG. 5

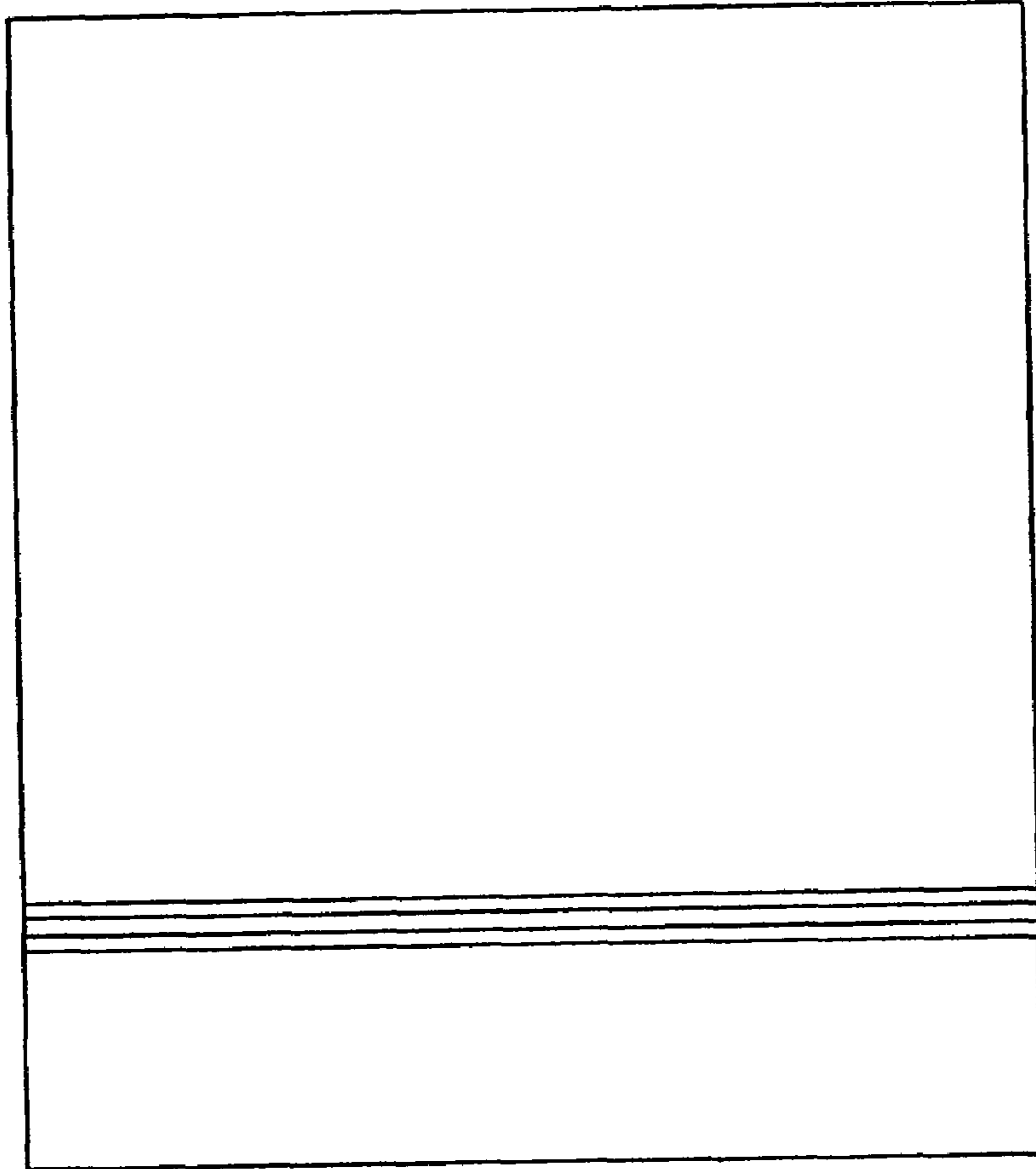


FIG. 6

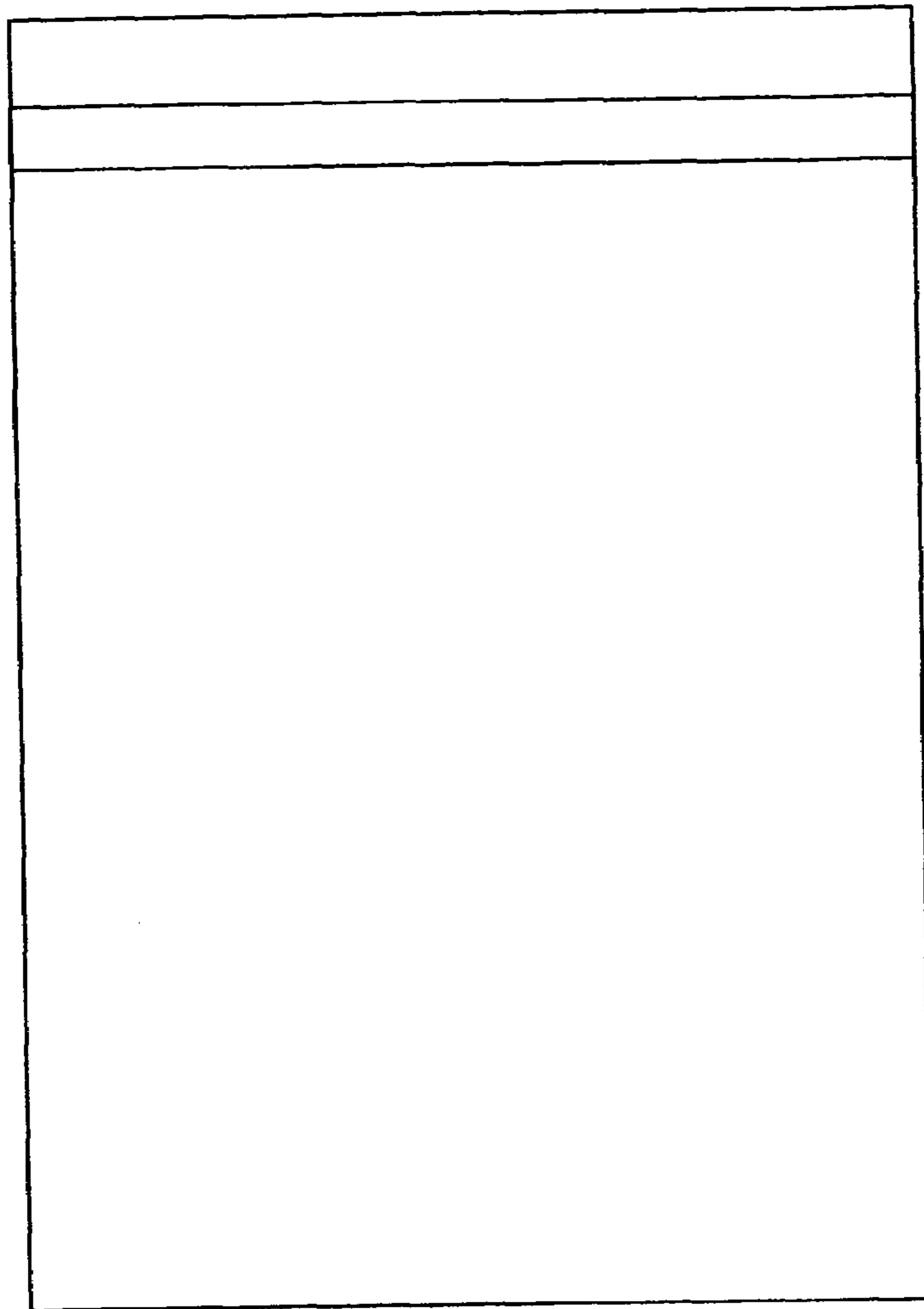


FIG. 7