

US00D549646S

(12) **United States Design Patent**
Säde et al.

(10) **Patent No.:** **US D549,646 S**

(45) **Date of Patent:** **** Aug. 28, 2007**

(54) **BATTERY CHARGER**

(75) Inventors: **Heli Säde**, Salo (FI); **Lehtovaara Sami**, Masku (FI)

(73) Assignee: **Nokia Corporation**, Espoo (FI)

(**) Term: **14 Years**

(21) Appl. No.: **29/248,646**

(22) Filed: **Aug. 25, 2006**

(30) **Foreign Application Priority Data**

Feb. 27, 2006 (FI) M20060045

(51) **LOC (8) Cl.** **13-02**

(52) **U.S. Cl.** **D13/108**

(58) **Field of Classification Search** D13/107-110,
D13/118-119, 184; D14/251, 253, 432,
D14/434; 320/107-115

See application file for complete search history.

(56) **References Cited**

U.S. PATENT DOCUMENTS

- D276,149 S * 10/1984 Eckmann et al. D13/107
- D278,508 S * 4/1985 Kafka D7/386
- D298,230 S * 10/1988 Lay D13/107
- D301,456 S * 6/1989 Siddoway D13/107
- D322,061 S * 12/1991 Watanabe D13/108
- 5,233,281 A * 8/1993 Chiang et al. 320/110
- D349,272 S * 8/1994 Sage D13/107
- D350,330 S * 9/1994 Peterson D13/107

- D400,499 S * 11/1998 Bunyea D13/107
- D429,212 S * 8/2000 Oden et al. D13/108
- D523,847 S * 6/2006 Naruki D14/217
- D525,616 S * 7/2006 Andre et al. D14/217
- D535,615 S * 1/2007 Iwai D13/108

* cited by examiner

Primary Examiner—Alan P. Douglas

Assistant Examiner—Rosemary K. Tarcza

(74) *Attorney, Agent, or Firm*—Banner & Witcoff, Ltd.

(57) **CLAIM**

The ornamental design for a battery charger, as shown and described.

DESCRIPTION

FIG. 1 is a perspective top front view of the battery charger showing our new design;

FIG. 2 is a perspective bottom front view thereof;

FIG. 3 is a front view thereof;

FIG. 4 is a rear view thereof;

FIG. 5 is a top plan view thereof;

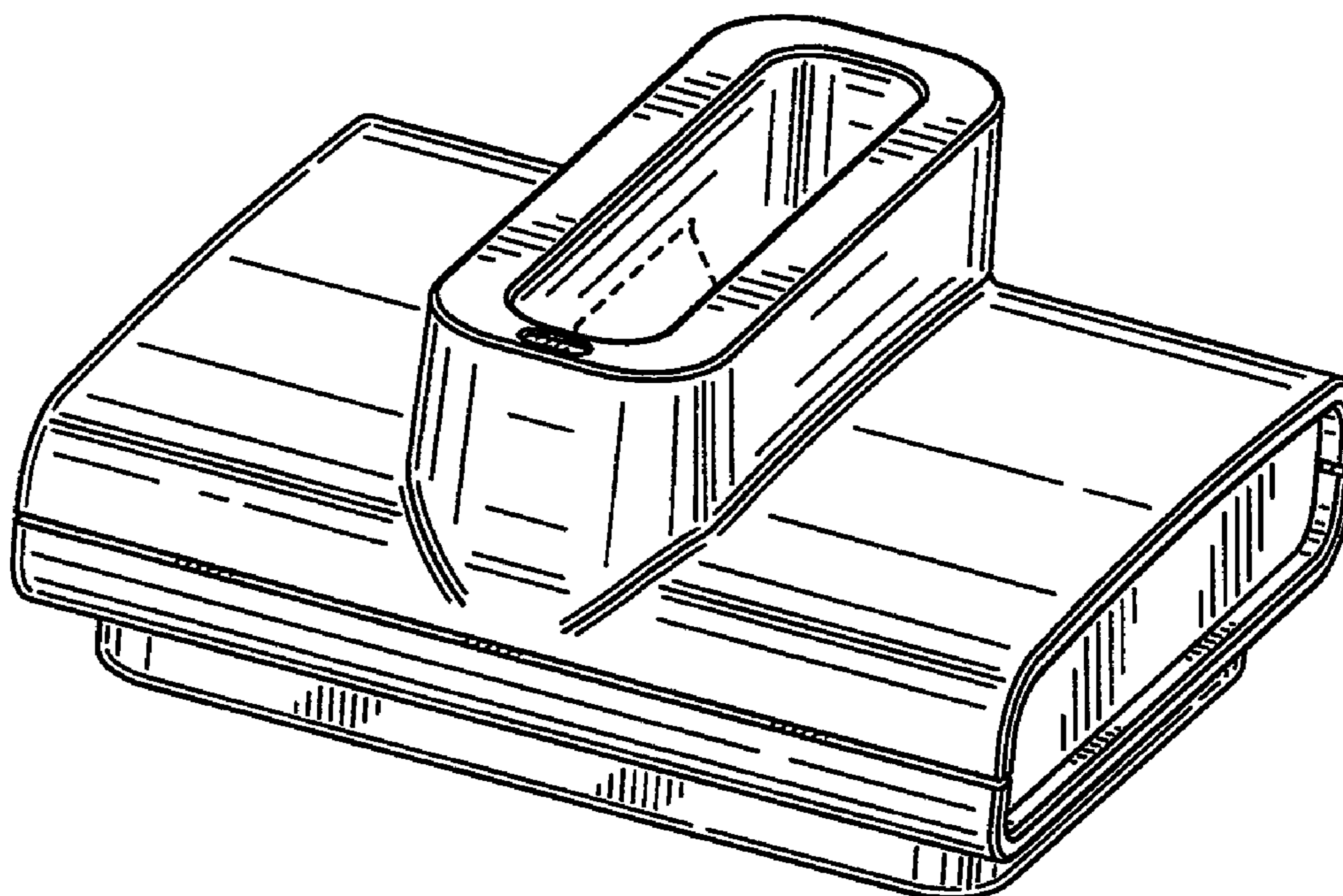
FIG. 6 is a bottom plan view thereof;

FIG. 7 is a right side view thereof; and,

FIG. 8 is a left side view thereof.

The broken line showing various regions are for illustrative purposes only and form no part of the claimed design.

1 Claim, 4 Drawing Sheets



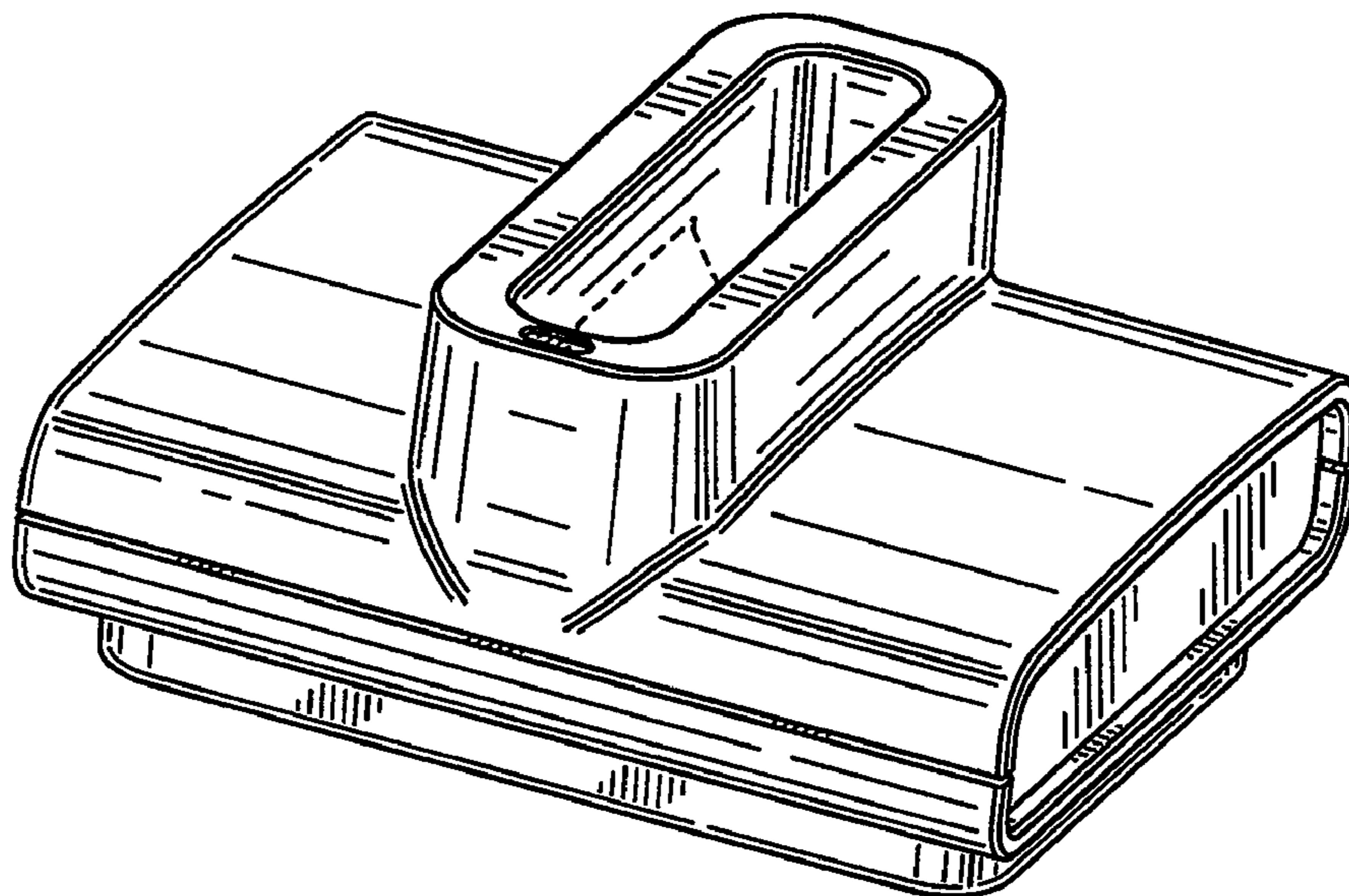


FIG. 1

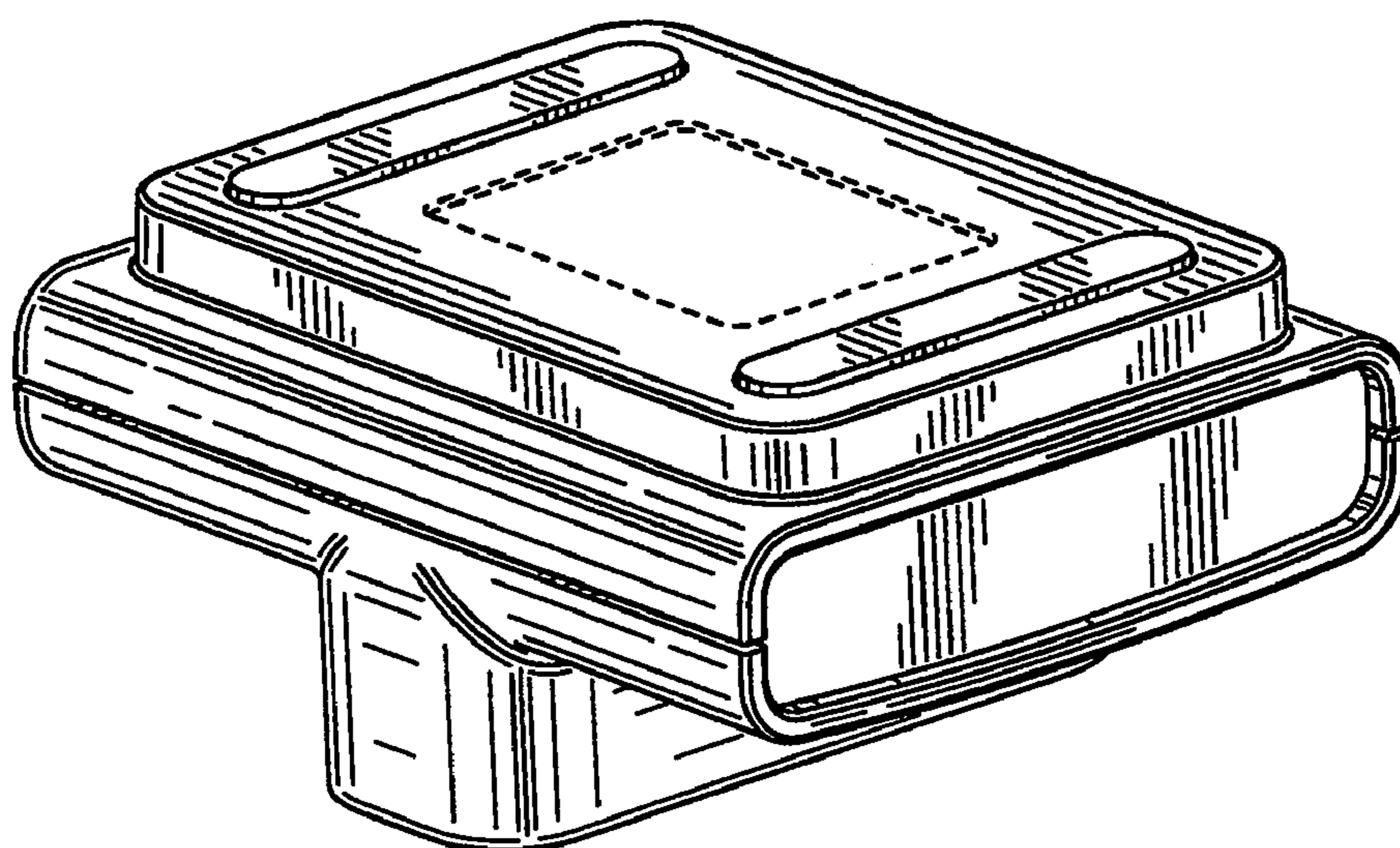


FIG. 2

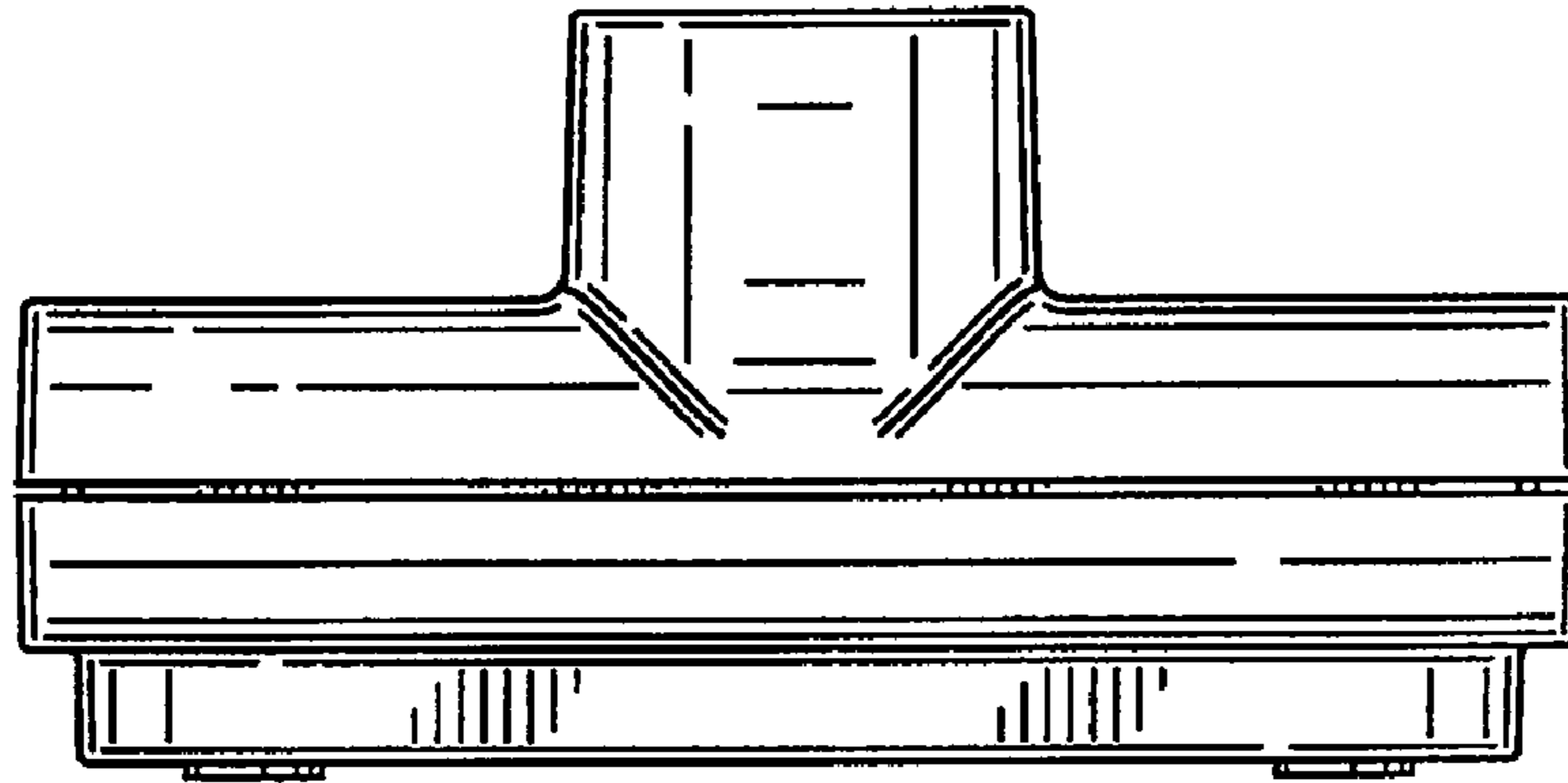


FIG. 3

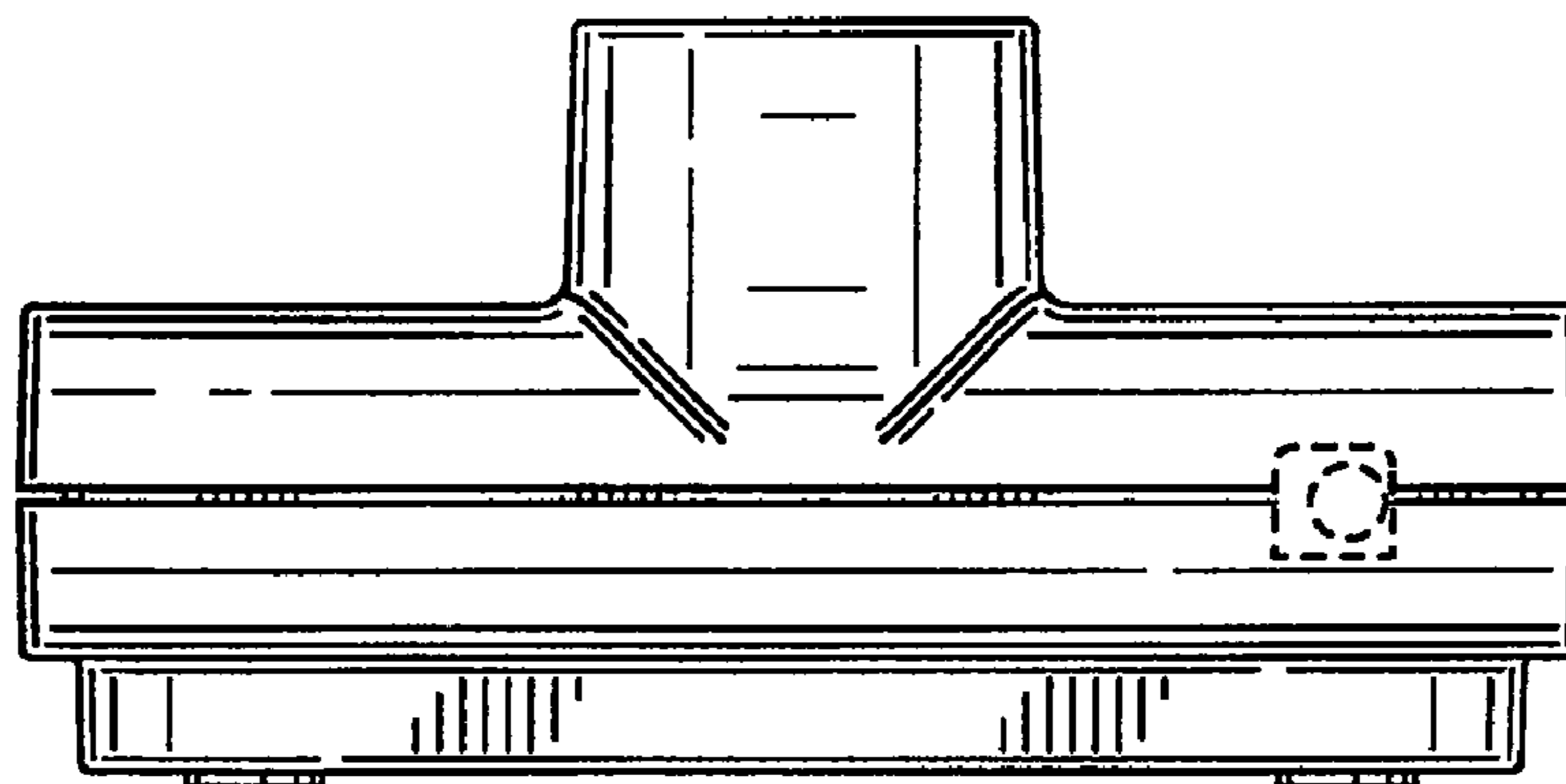


FIG. 4

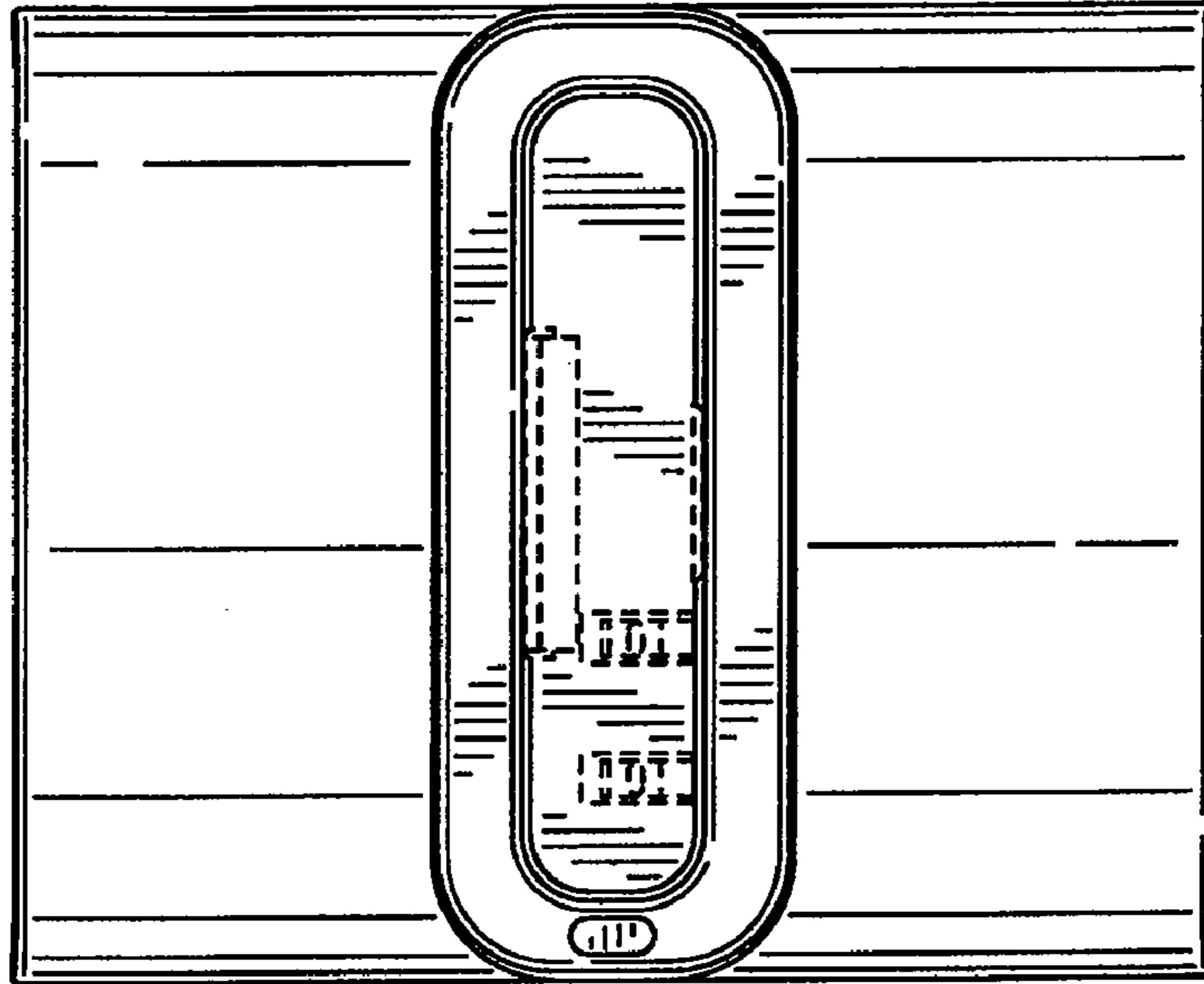


FIG. 5

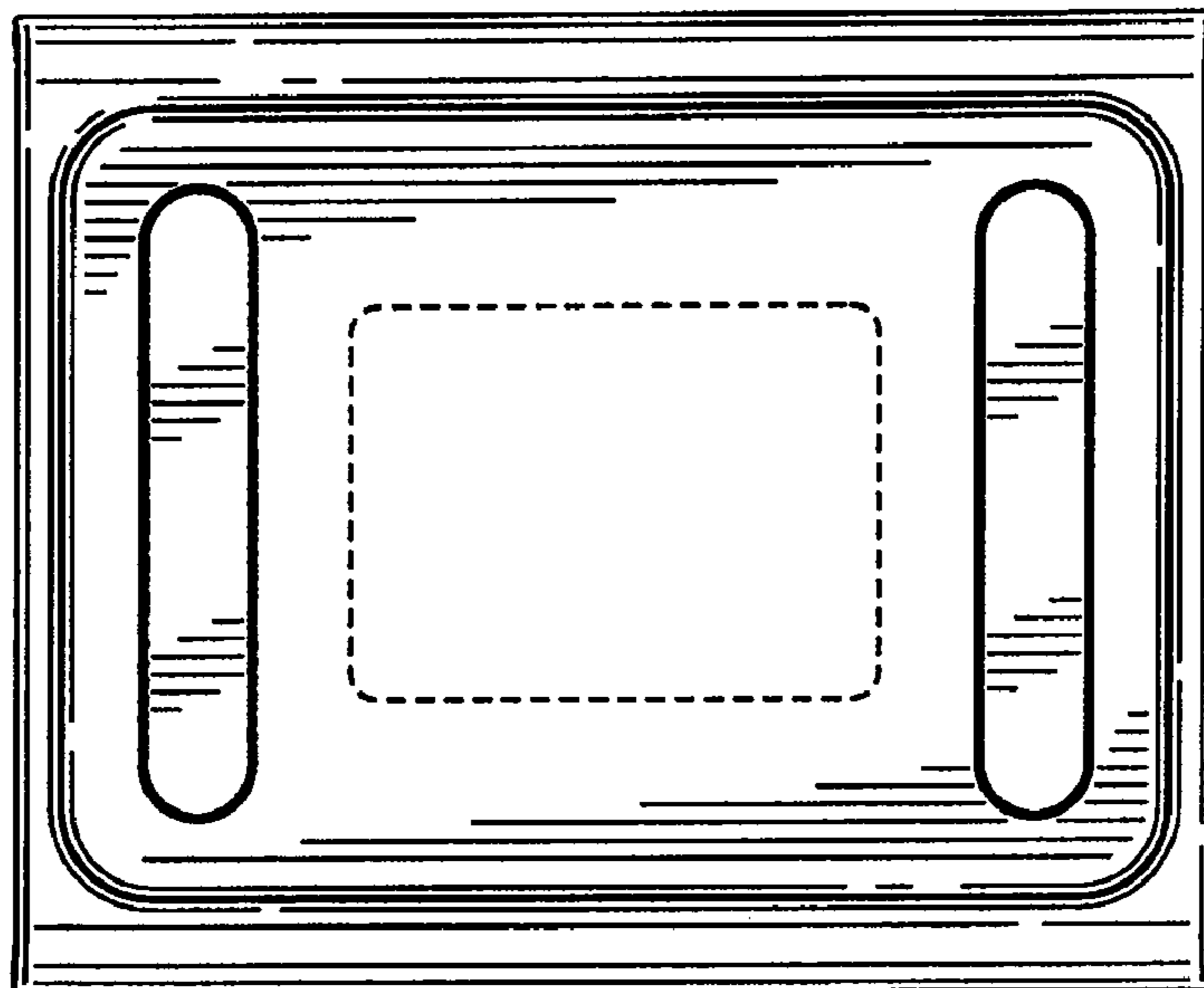


FIG. 6

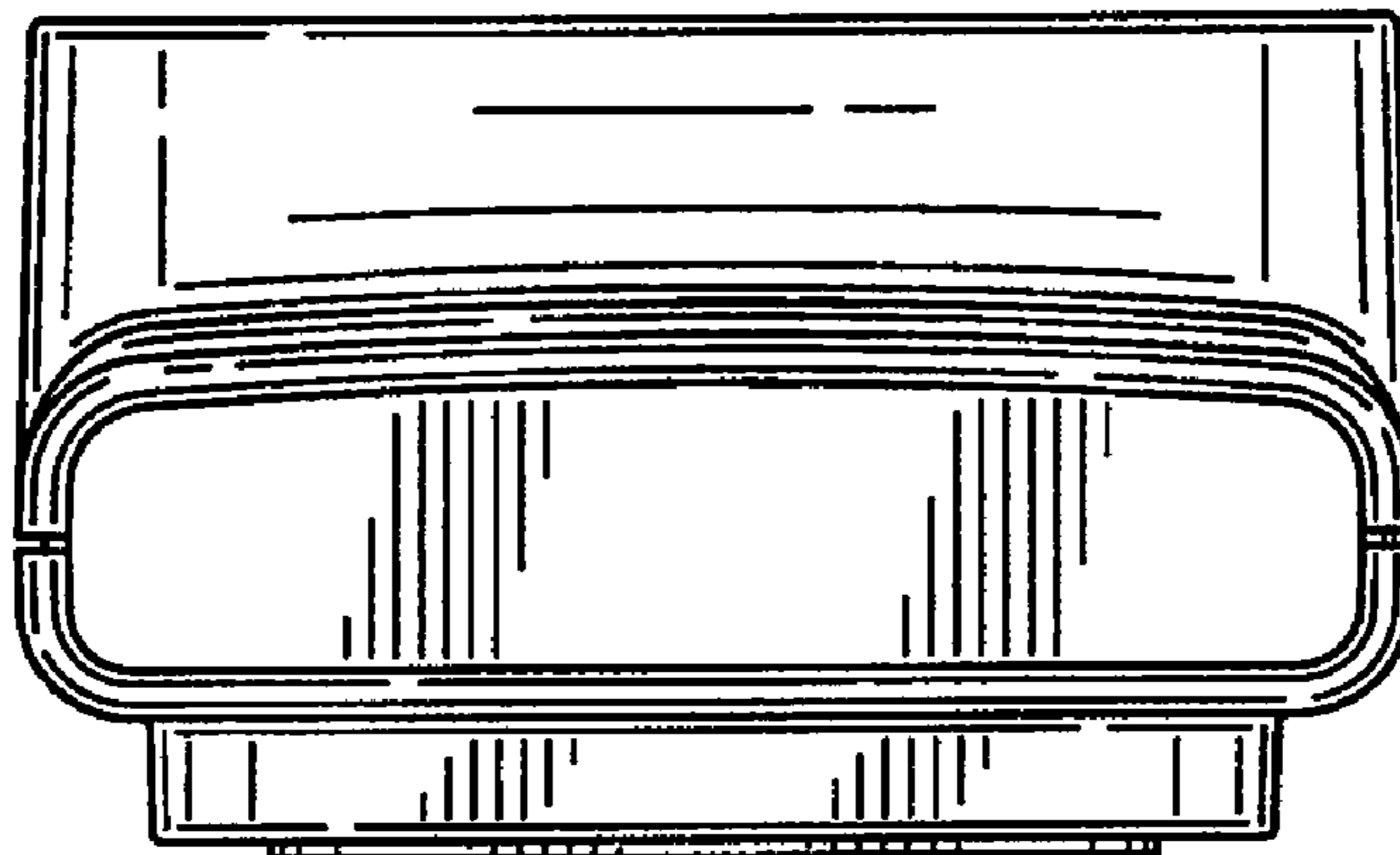


FIG. 7

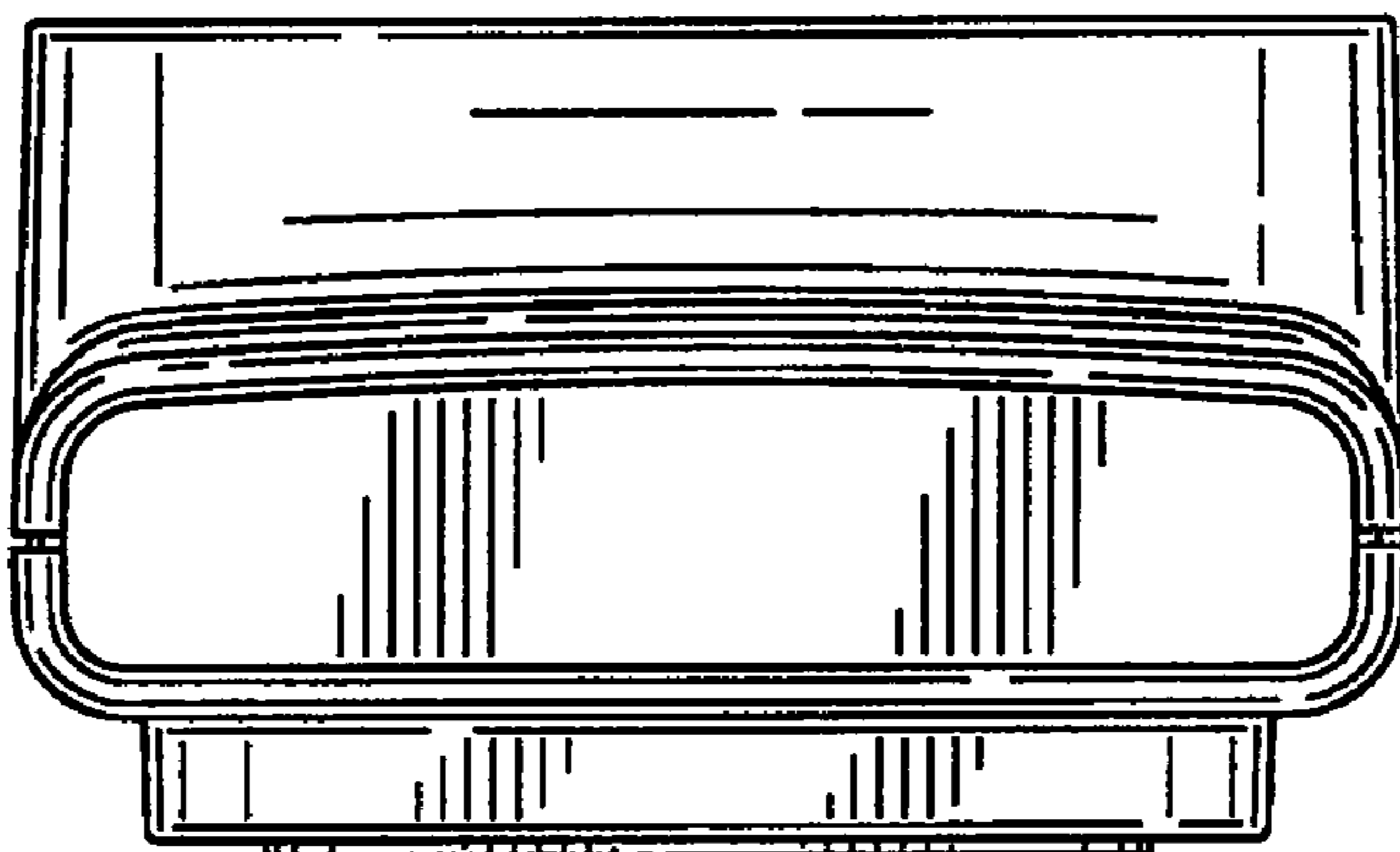


FIG. 8