

US00D549637S

(12) **United States Design Patent**
Bedell et al.

(10) **Patent No.:** **US D549,637 S**

(45) **Date of Patent:** **** Aug. 28, 2007**

(54) **TILLER FOR A BOAT**

(75) Inventors: **Paul Bedell**, Long Buckby (GB); **Paul Adkins**, Long Buckby (GB)

(73) Assignee: **Velum Limited**, Geneva (CH)

(**) Term: **14 Years**

(21) Appl. No.: **29/264,064**

(22) Filed: **Aug. 2, 2006**

(30) **Foreign Application Priority Data**

Feb. 3, 2006 (EP) 00474598

(51) **LOC (8) Cl.** **12-06**

(52) **U.S. Cl.** **D12/317**

(58) **Field of Classification Search** D12/300,
D12/303, 304, 310-314, 317, 318; 114/144,
114/146, 153, 162-164; 440/61 S, 51
See application file for complete search history.

(56) **References Cited**

U.S. PATENT DOCUMENTS

2,654,335 A * 10/1953 Ball 114/153

3,199,485 A * 8/1965 Snider 114/165

4,188,904 A * 2/1980 Childress 114/172

4,480,572 A * 11/1984 Lauterbach 114/162

4,735,166 A * 4/1988 Dimalanta 114/146

D351,583 S * 10/1994 Plennert et al. D12/317

5,555,837 A * 9/1996 Marshall et al. 114/153

5,676,079 A * 10/1997 Depke 114/162

* cited by examiner

Primary Examiner—Holly H. Baynham

Assistant Examiner—Cynthia M. Chin

(74) *Attorney, Agent, or Firm*—Andrew Wilford

(57) **CLAIM**

The ornamental design for a tiller for a boat, as shown and described.

DESCRIPTION

FIG. 1 is a top plan view of a tiller for a boat showing our new design;

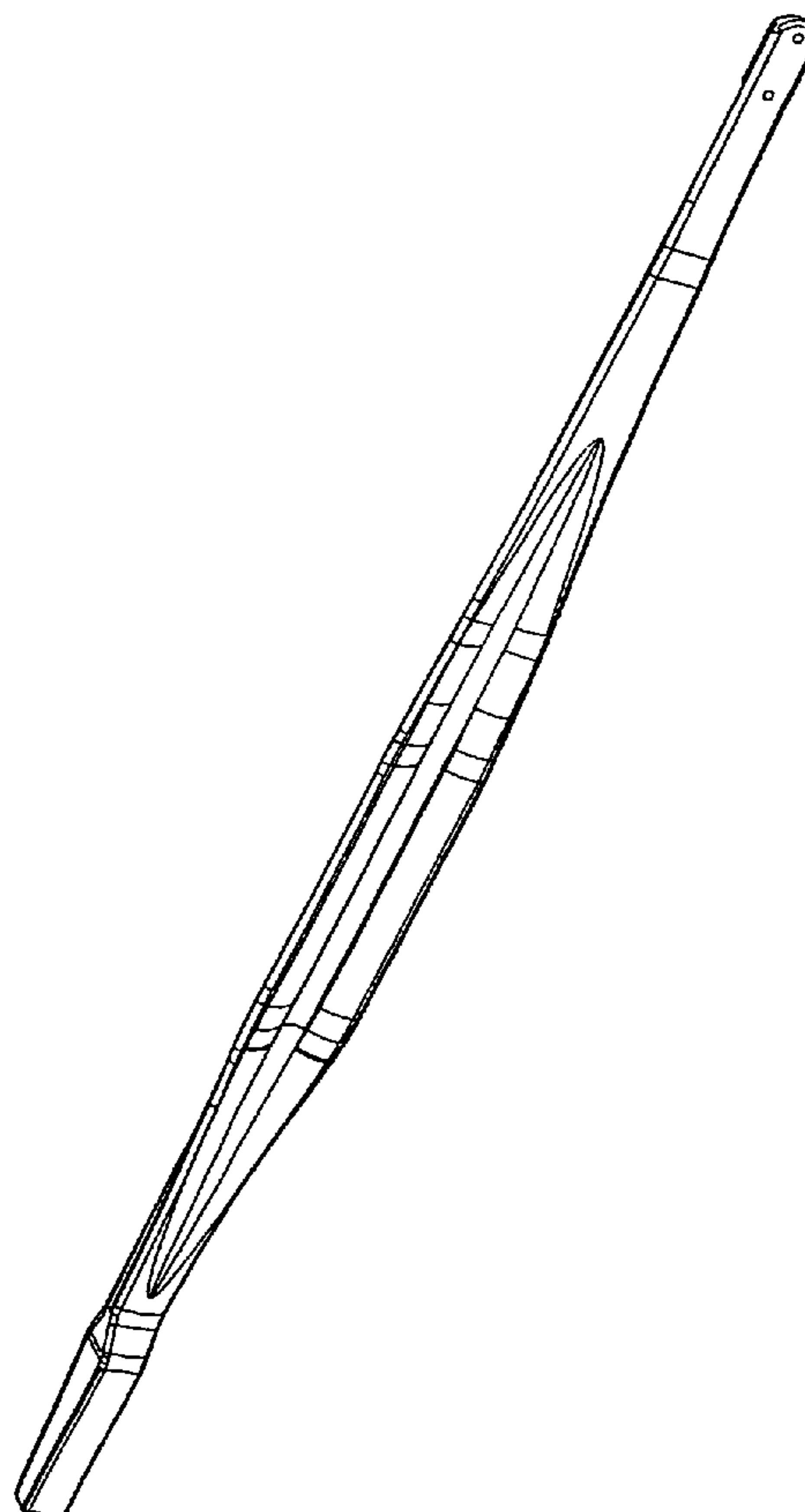
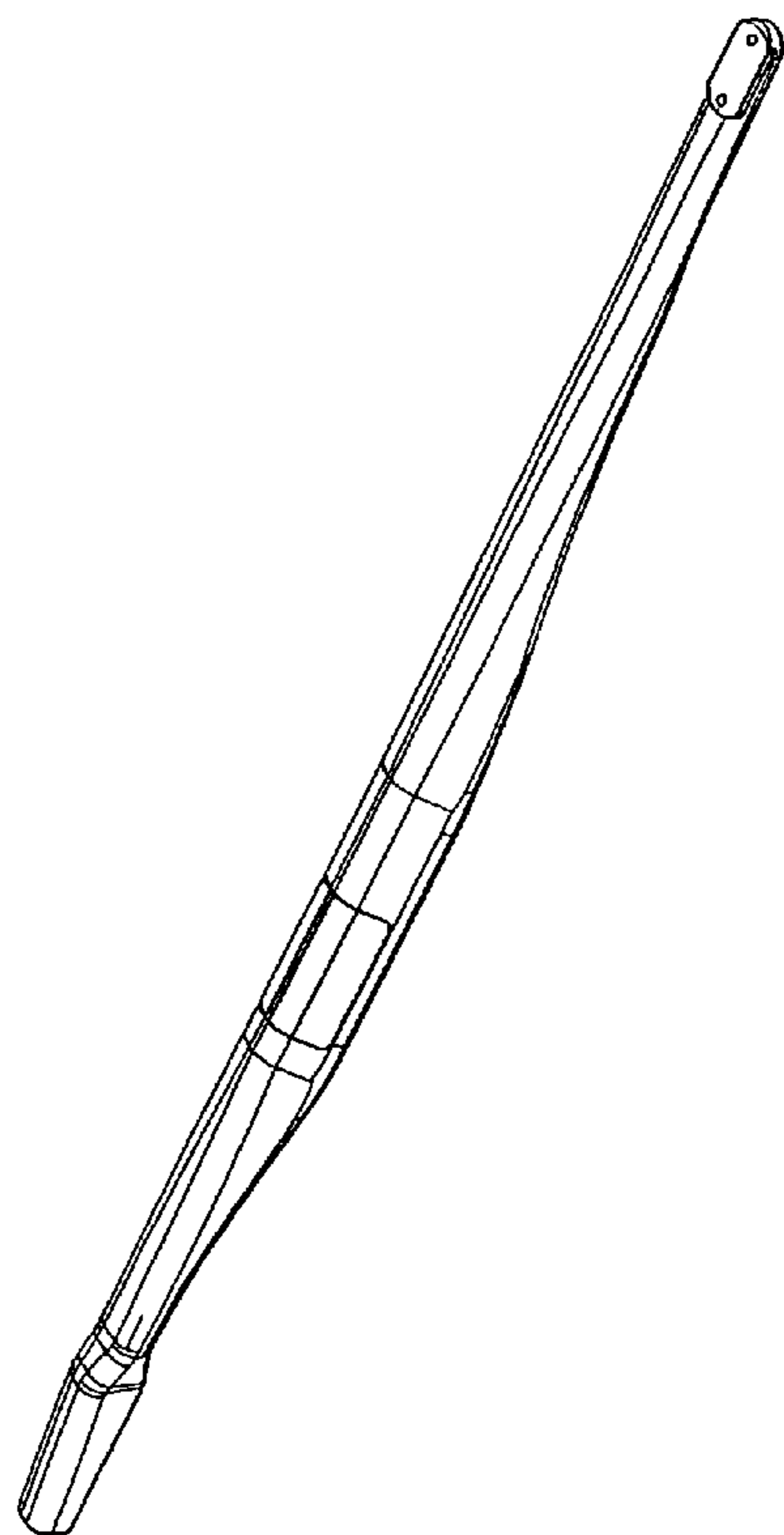
FIG. 2 is a bottom plan view thereof;

FIG. 3 is a left side elevational view thereof, the right side being a mirror image;

FIG. 4 is a first perspective view thereof; and,

FIG. 5 is a second perspective view thereof.

1 Claim, 5 Drawing Sheets



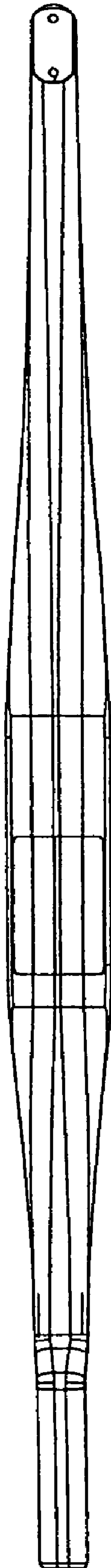


FIG 1

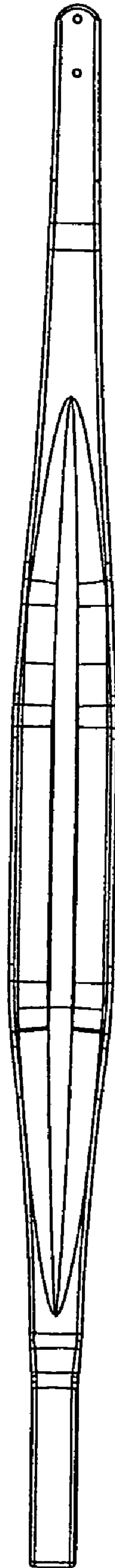


FIG 2



FIG 3

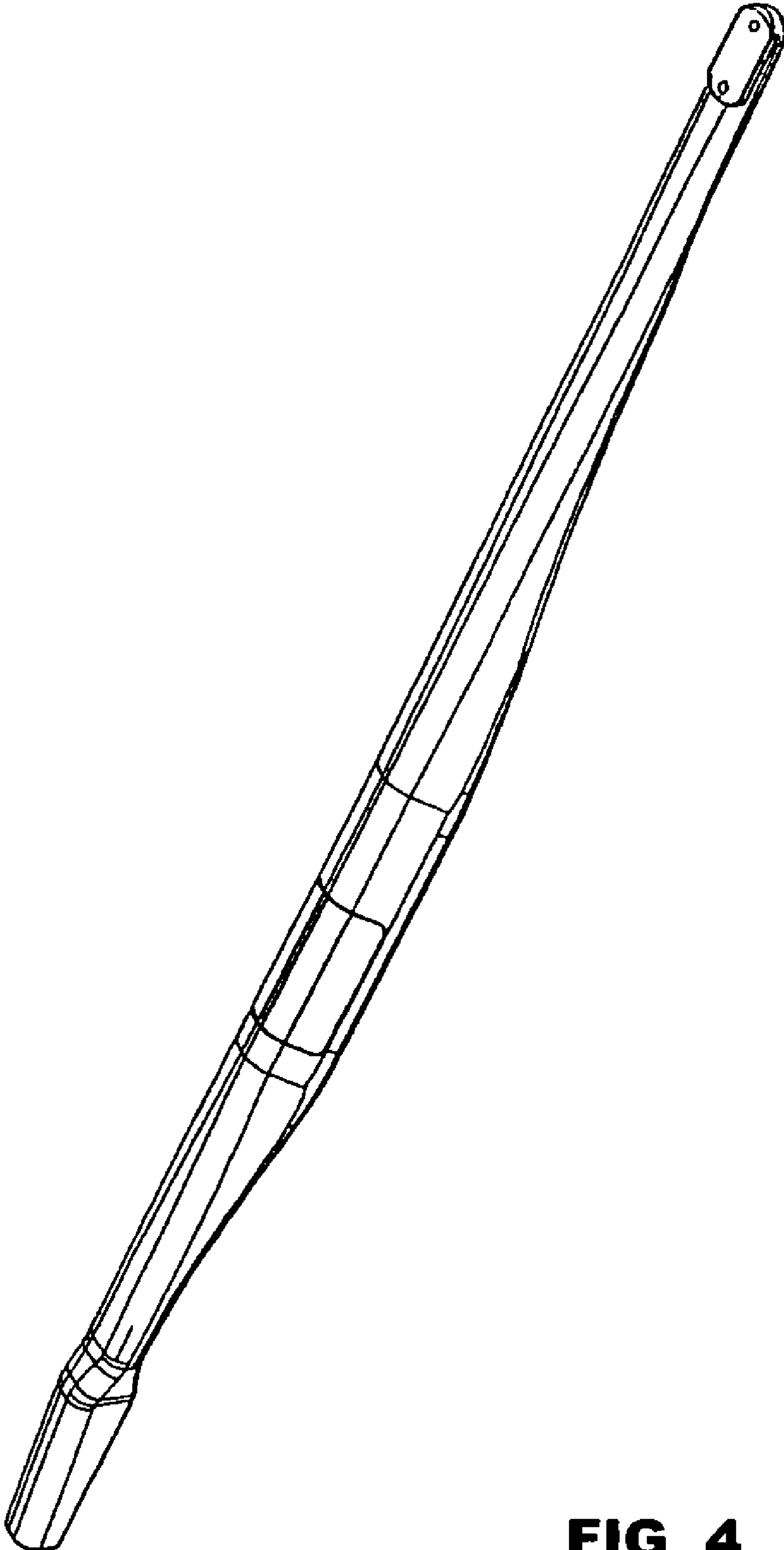


FIG 4

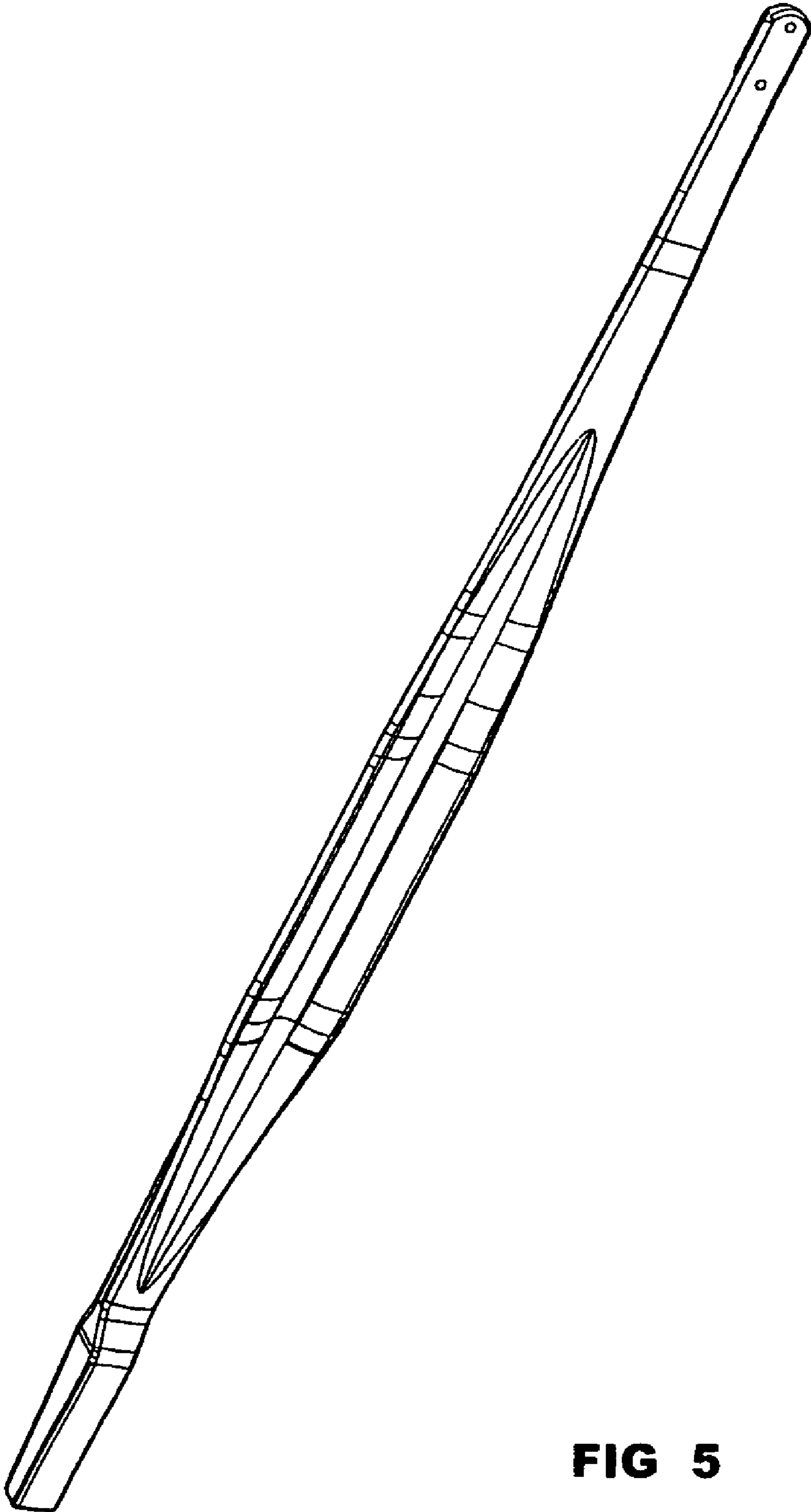


FIG 5