



US00D549635S

(12) **United States Design Patent**  
**Hernandez**

(10) **Patent No.:** **US D549,635 S**

(45) **Date of Patent:** **\*\* Aug. 28, 2007**

(54) **WHEEL**

(76) **Inventor:** **Mauricio E. Hernandez**, 20758 Centre Point Pkwy., Santa Clarita, CA (US) 91350

(\*\*) **Term:** **14 Years**

(21) **Appl. No.:** **29/278,764**

(22) **Filed:** **Apr. 9, 2007**

(51) **LOC (8) Cl.** ..... **12-16**

(52) **U.S. Cl.** ..... **D12/211**

(58) **Field of Classification Search** ..... D12/204-213;  
301/37.101, 64.101, 65

See application file for complete search history.

(56) **References Cited**

**U.S. PATENT DOCUMENTS**

D428,379 S \* 7/2000 Donikoglu ..... D12/211  
D438,503 S \* 3/2001 Syring ..... D12/211  
D453,136 S \* 1/2002 Frizzi ..... D12/211

D474,440 S \* 5/2003 Oh ..... D12/211  
D480,036 S \* 9/2003 Laengerer ..... D12/211  
D506,172 S \* 6/2005 Pfeiffer ..... D12/211  
D516,990 S \* 3/2006 Schweizer ..... D12/211  
D517,972 S \* 3/2006 Tirado ..... D12/211  
D535,606 S \* 1/2007 Hernandez ..... D12/211

\* cited by examiner

*Primary Examiner*—Stacia Cadmus

(74) *Attorney, Agent, or Firm*—Kelly Lowry & Kelley LLP

(57) **CLAIM**

The ornamental design for a wheel, as shown.

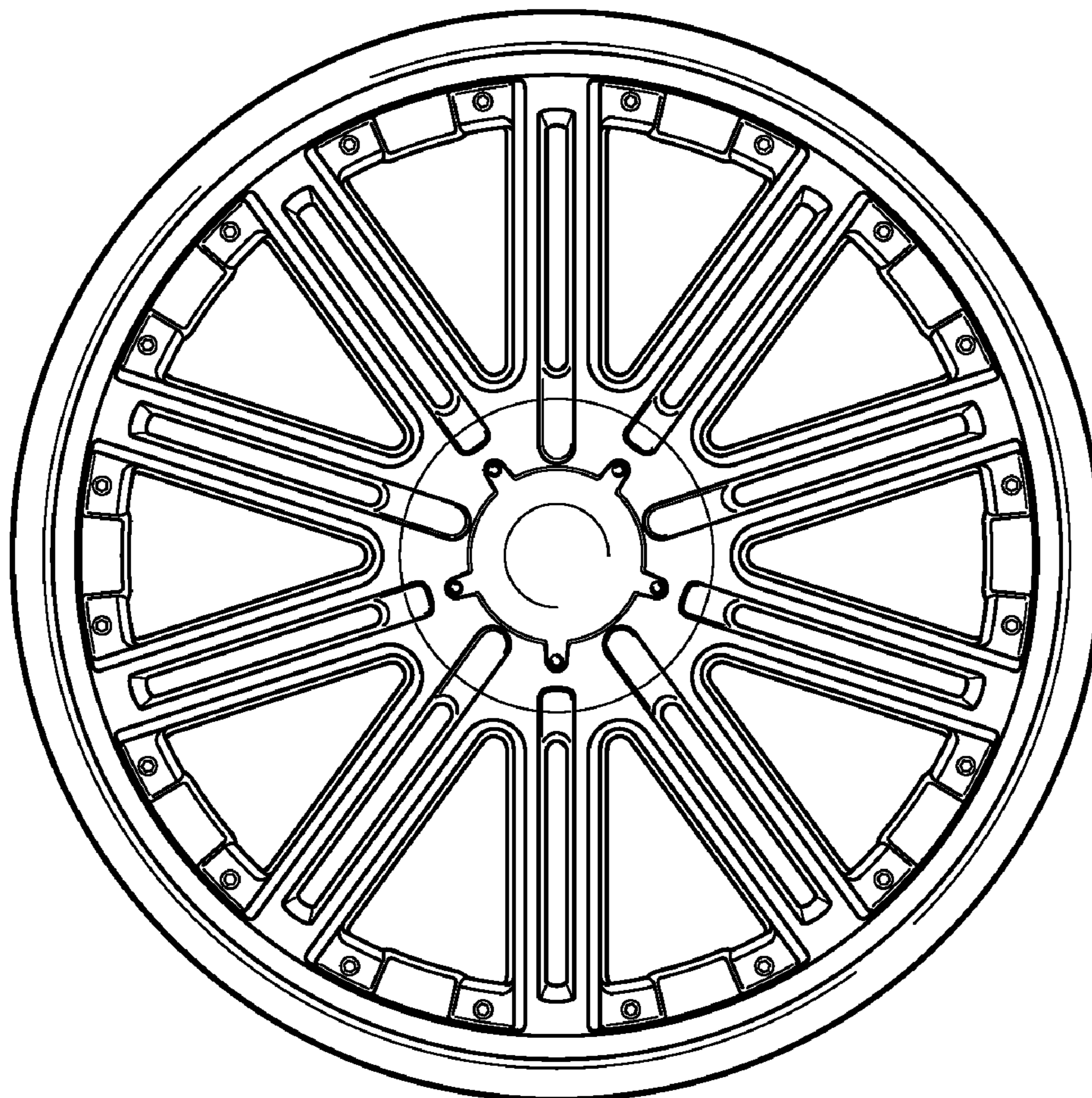
**DESCRIPTION**

FIG. 1 is a front and side perspective view of a wheel embodying my new design;

FIG. 2 is a front elevational view thereof; and,

FIG. 3 is a side elevational view thereof.

**1 Claim, 1 Drawing Sheet**



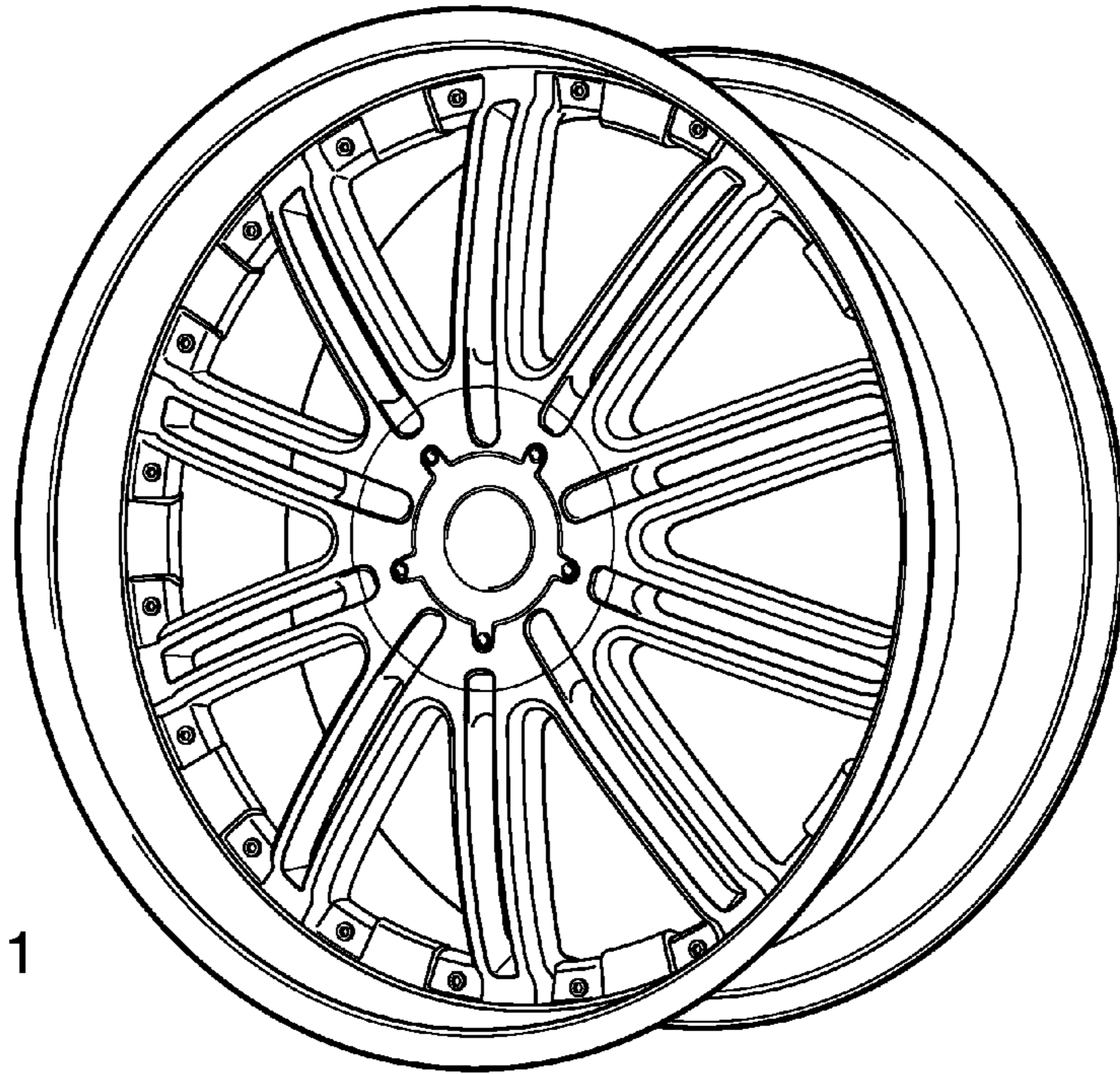


FIG. 1

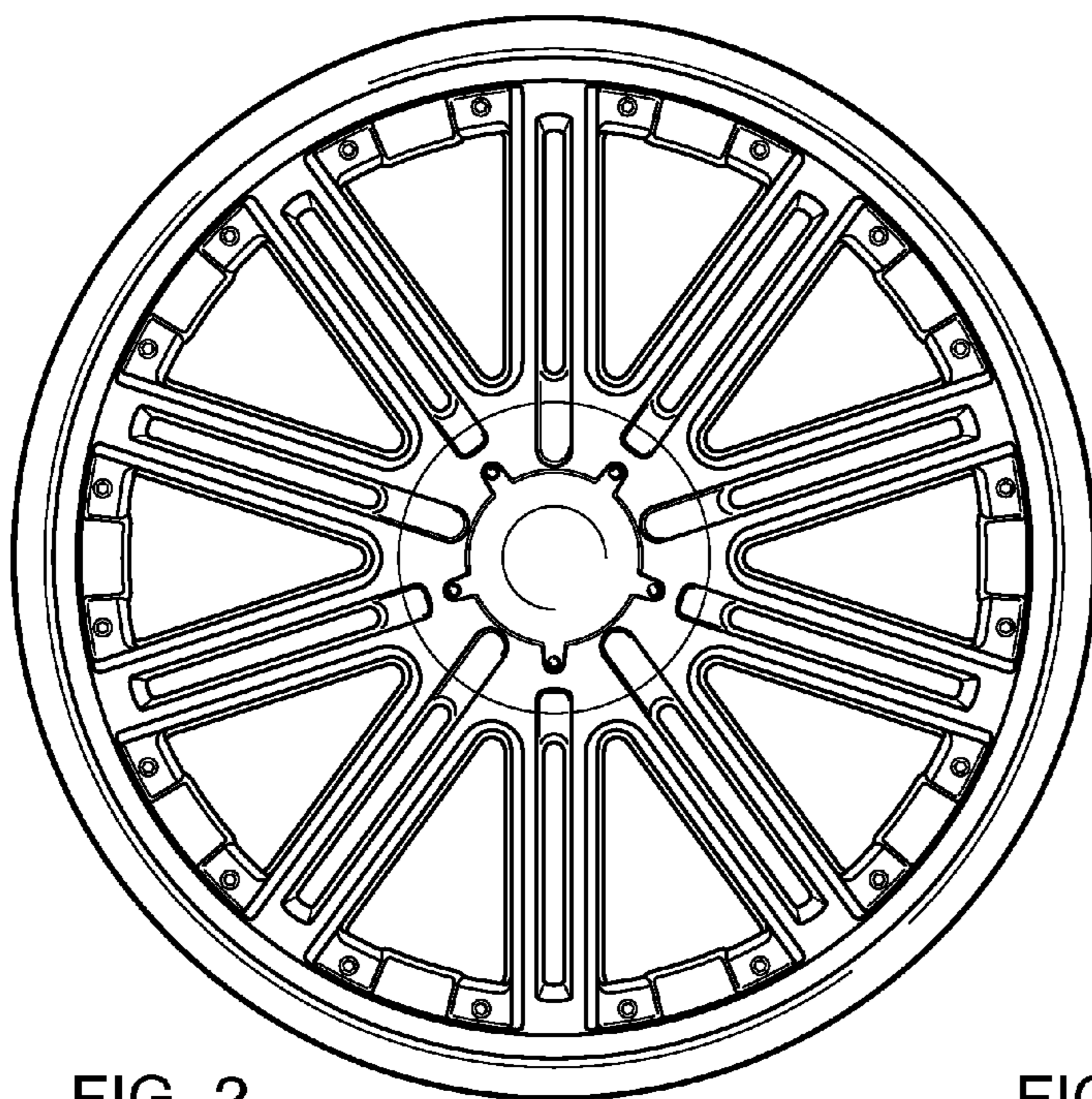


FIG. 2

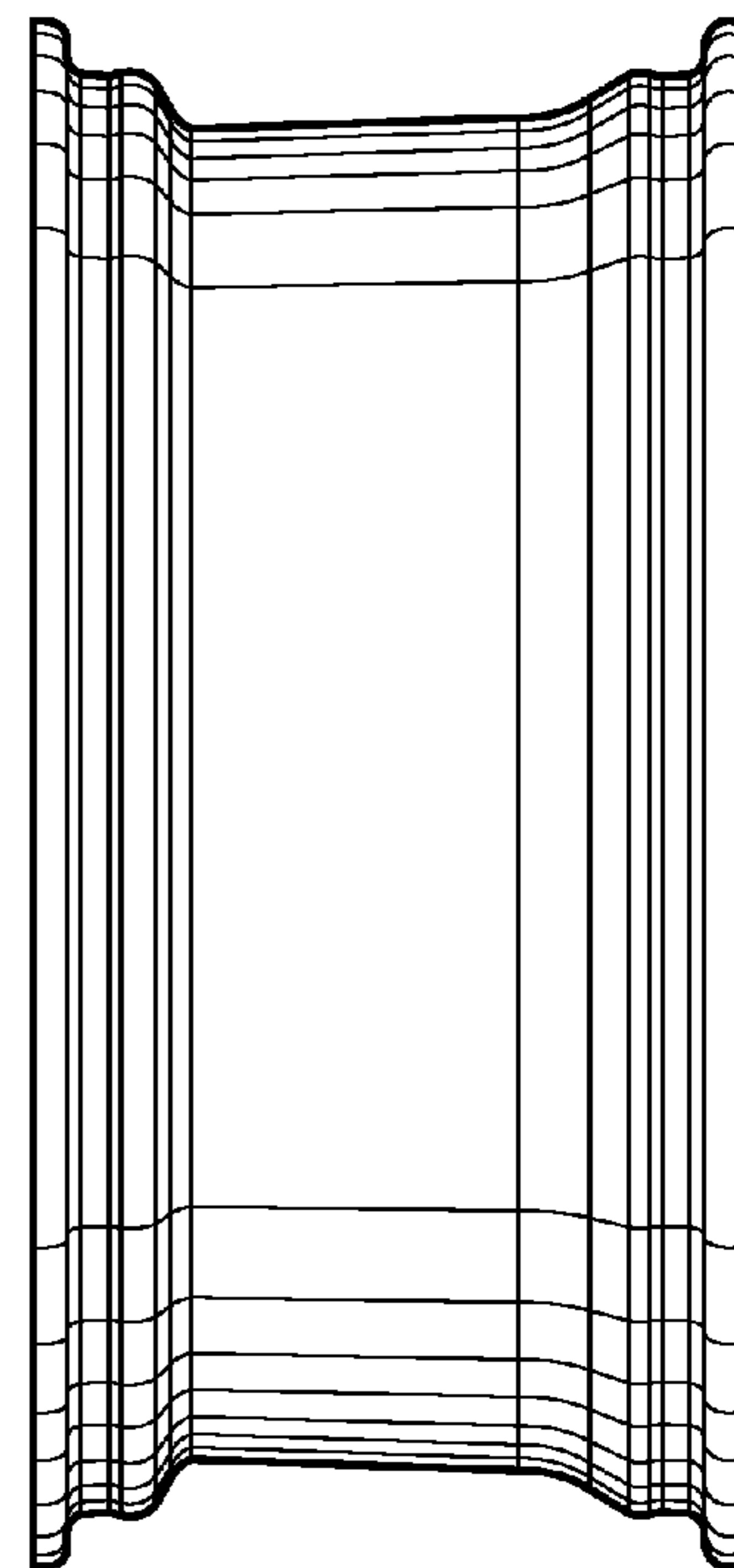


FIG. 3