



US00D549632S

(12) **United States Design Patent**
Sands

(10) **Patent No.:** **US D549,632 S**

(45) **Date of Patent:** **** Aug. 28, 2007**

(54) **VEHICLE WHEEL WITH TEN SLANTED SPOKES**

(75) **Inventor:** **Perry W. Sands**, La Palma, CA (US)

(73) **Assignee:** **Performance Machine, Inc.**, La Palma, CA (US)

(**) **Term:** **14 Years**

(21) **Appl. No.:** **29/246,302**

(22) **Filed:** **Mar. 30, 2006**

(51) **LOC (8) Cl.** **12-16**

(52) **U.S. Cl.** **D12/209**

(58) **Field of Classification Search** D12/204–213;
301/37.101, 64.101, 65

See application file for complete search history.

(56) **References Cited**

U.S. PATENT DOCUMENTS

D392,239 S	*	3/1998	Cullen	D12/211
D396,441 S	*	7/1998	Nishida	D12/209
D396,443 S	*	7/1998	Neeper	D12/209
D403,646 S	*	1/1999	Rotundo	D12/209
D415,991 S	*	11/1999	Wang	D12/211
D416,844 S	*	11/1999	Neeper	D12/209
D430,843 S		9/2000	Sands		
D440,933 S	*	4/2001	Vian	D12/209
D441,707 S	*	5/2001	Hussaini et al.	D12/209
D455,991 S	*	4/2002	Kaucher	D12/209

D477,556 S	*	7/2003	Koch	D12/211
D490,760 S		6/2004	Sands		
D493,132 S	*	7/2004	Rivers et al.	D12/209
D493,763 S		8/2004	Sands		
D494,119 S		8/2004	Sands		
D494,122 S		8/2004	Sands		
D495,284 S	*	8/2004	Sands	D12/209
D513,728 S	*	1/2006	Yazawa et al.	D12/211
D514,047 S	*	1/2006	Sands	D12/209
D514,048 S		1/2006	Sands		
D514,051 S		1/2006	Sands		
D518,429 S		4/2006	Sands		
D519,900 S	*	5/2006	Francis	D12/209

* cited by examiner

Primary Examiner—Stacia Cadmus

(74) *Attorney, Agent, or Firm*—David Pressman

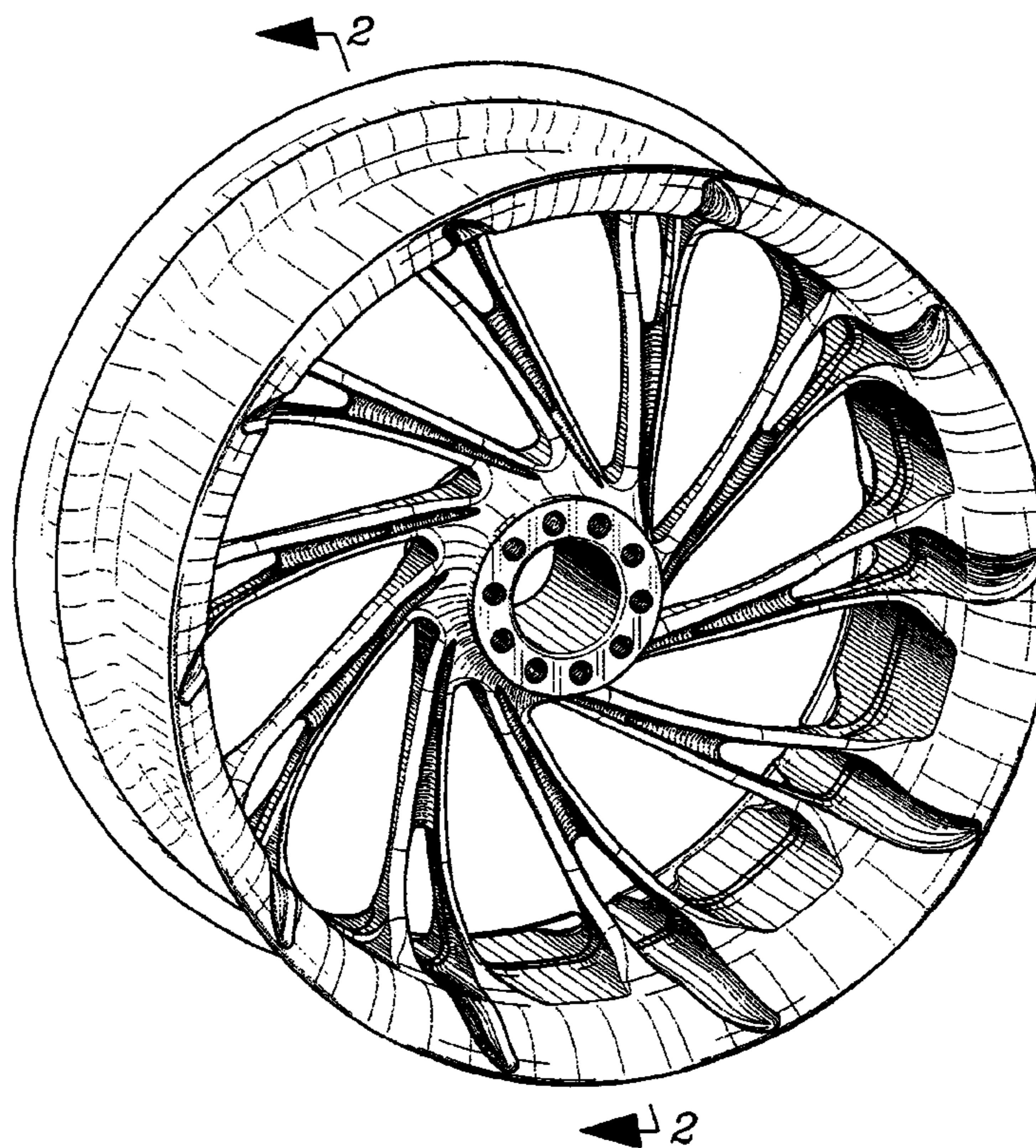
(57) **CLAIM**

The ornamental design for a vehicle wheel with ten slanted spokes, as shown and described.

DESCRIPTION

FIG. 1 is a perspective view of the front or outer side of a vehicle wheel with ten slanted spokes according to my invention. The inner or rear side of the wheel is identical to the front side. The outer ends of all spokes are identical; and, FIG. 2 is a cross-sectional view of the wheel of FIG. 1 taken along the lines 2—2 of FIG. 1.

1 Claim, 2 Drawing Sheets



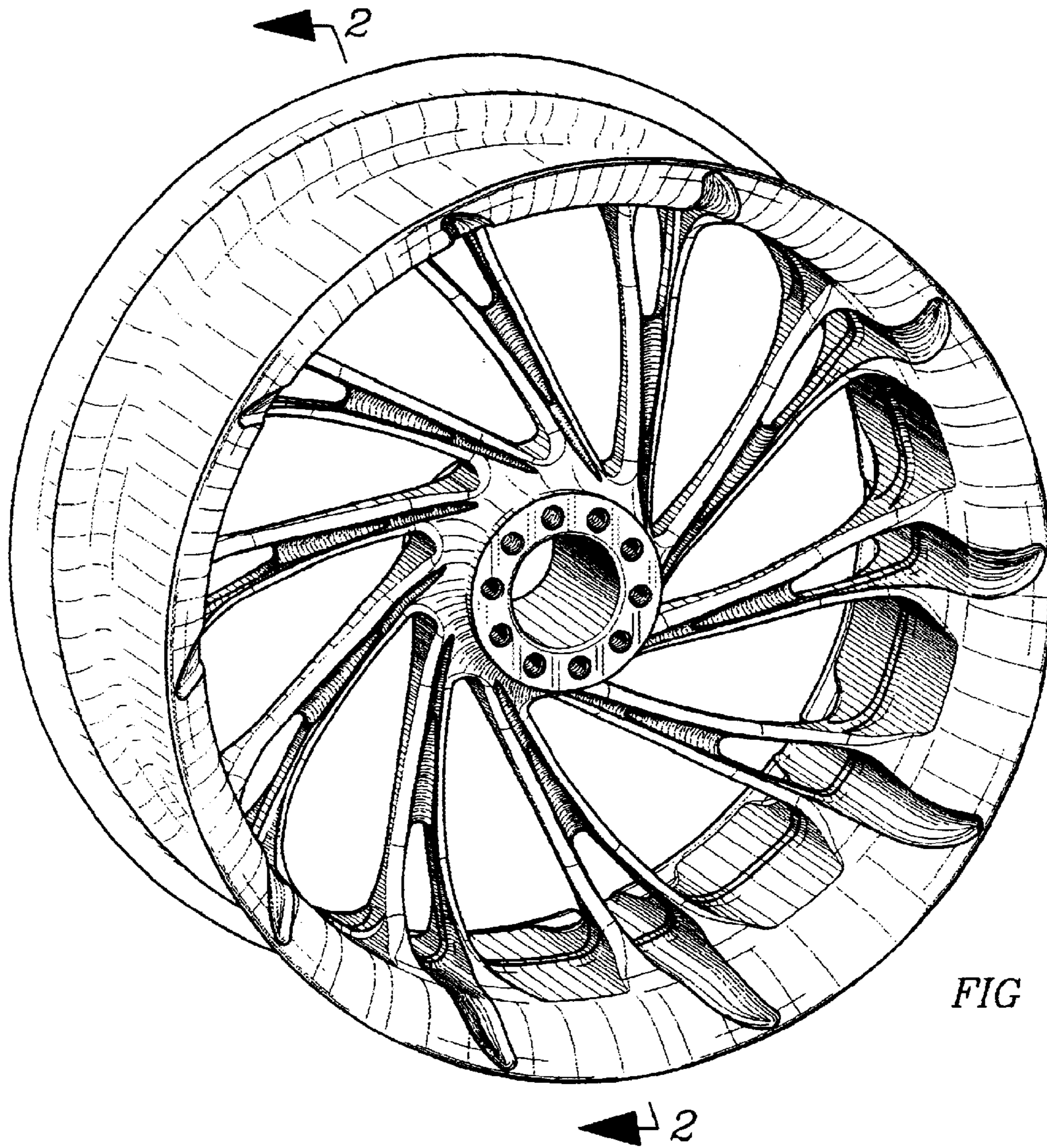


FIG 1

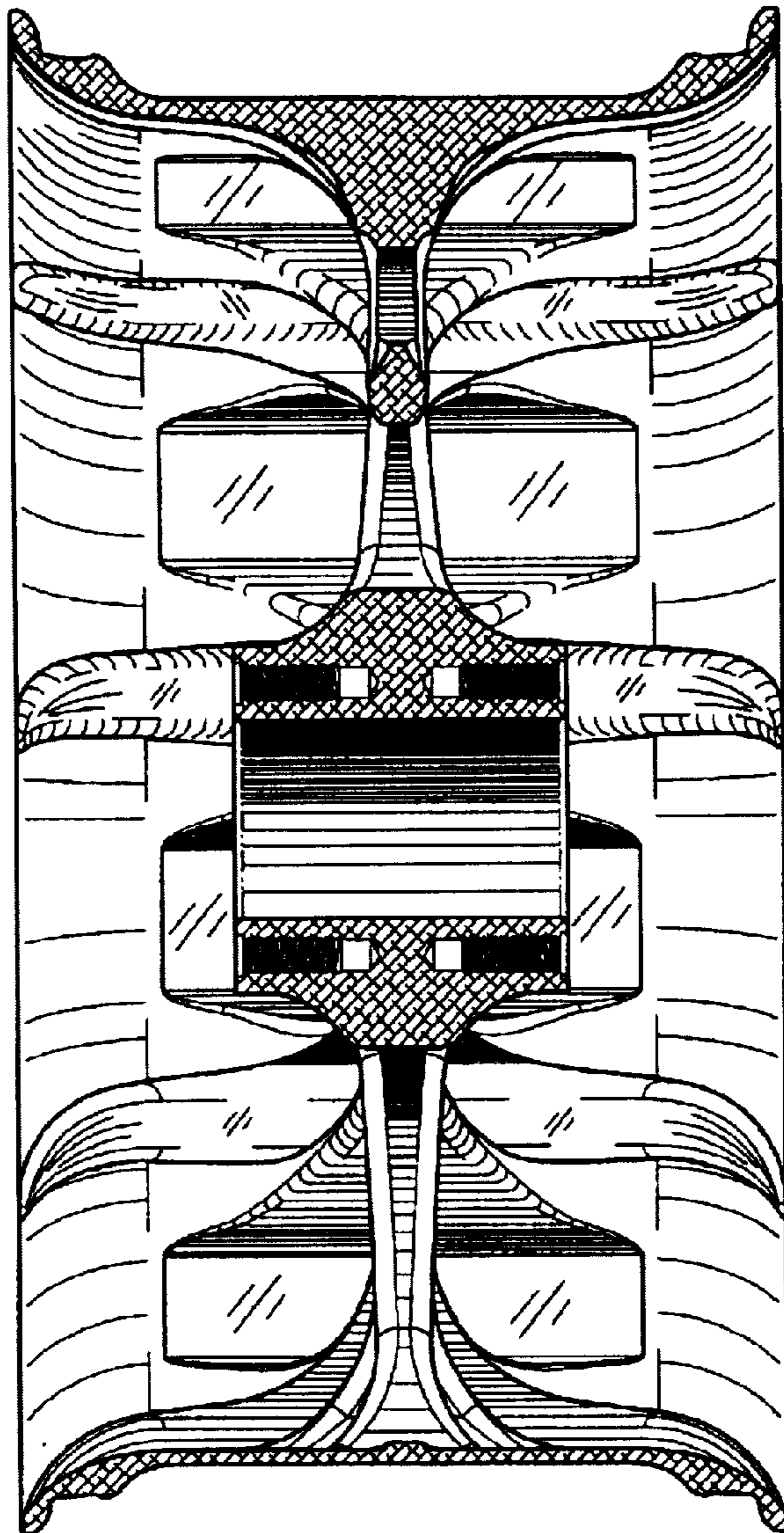


FIG 2