

US00D549631S

(12) **United States Design Patent** (10) **Patent No.:** **US D549,631 S**  
**Conway et al.** (45) **Date of Patent:** **\*\* Aug. 28, 2007**

(54) **HOOD ORNAMENT**

(75) Inventors: **Scott M. Conway**, Flower Mound, TX (US); **Louis D. Heilaneh**, Lewisville, TX (US)

(73) Assignee: **PACCAR Inc.**, Bellevue, WA (US)

(\*\*) Term: **14 Years**

(21) Appl. No.: **29/249,966**

(22) Filed: **Oct. 27, 2006**

(51) **LOC (8) Cl.** ..... **12-16**

(52) **U.S. Cl.** ..... **D12/197**

(58) **Field of Classification Search** ..... D12/197-201;  
40/411-413, 424-425; D11/162  
See application file for complete search history.

(56) **References Cited**

**U.S. PATENT DOCUMENTS**

D102,007 S *	11/1936	Sebek	.....	D12/199
D167,359 S *	7/1952	King	.....	D12/201
D167,753 S *	9/1952	Keane	.....	D12/201
D172,261 S *	5/1954	Baird	.....	D12/201
D175,249 S *	8/1955	Collier	.....	D12/201
D182,115 S *	2/1958	Gitshlag	.....	D12/197
D422,958 S *	4/2000	Conway et al.	.....	D12/197

\* cited by examiner

*Primary Examiner*—Stacia Cadmus

(74) *Attorney, Agent, or Firm*—Christensen O'Connor Johnson Kindness PLLC

(57) **CLAIM**

The ornamental design for a hood ornament, as shown and described.

**DESCRIPTION**

FIG. 1 is a perspective view of a tractor-trailer truck showing a hood ornament according to our new design;

FIG. 2 is a perspective view of the hood ornament;

FIG. 3 is a top view of the hood ornament;

FIG. 4 is a front view of the hood ornament;

FIG. 5 is a driver's side view of the hood ornament, the opposite side view being a mirror image of that shown; and,

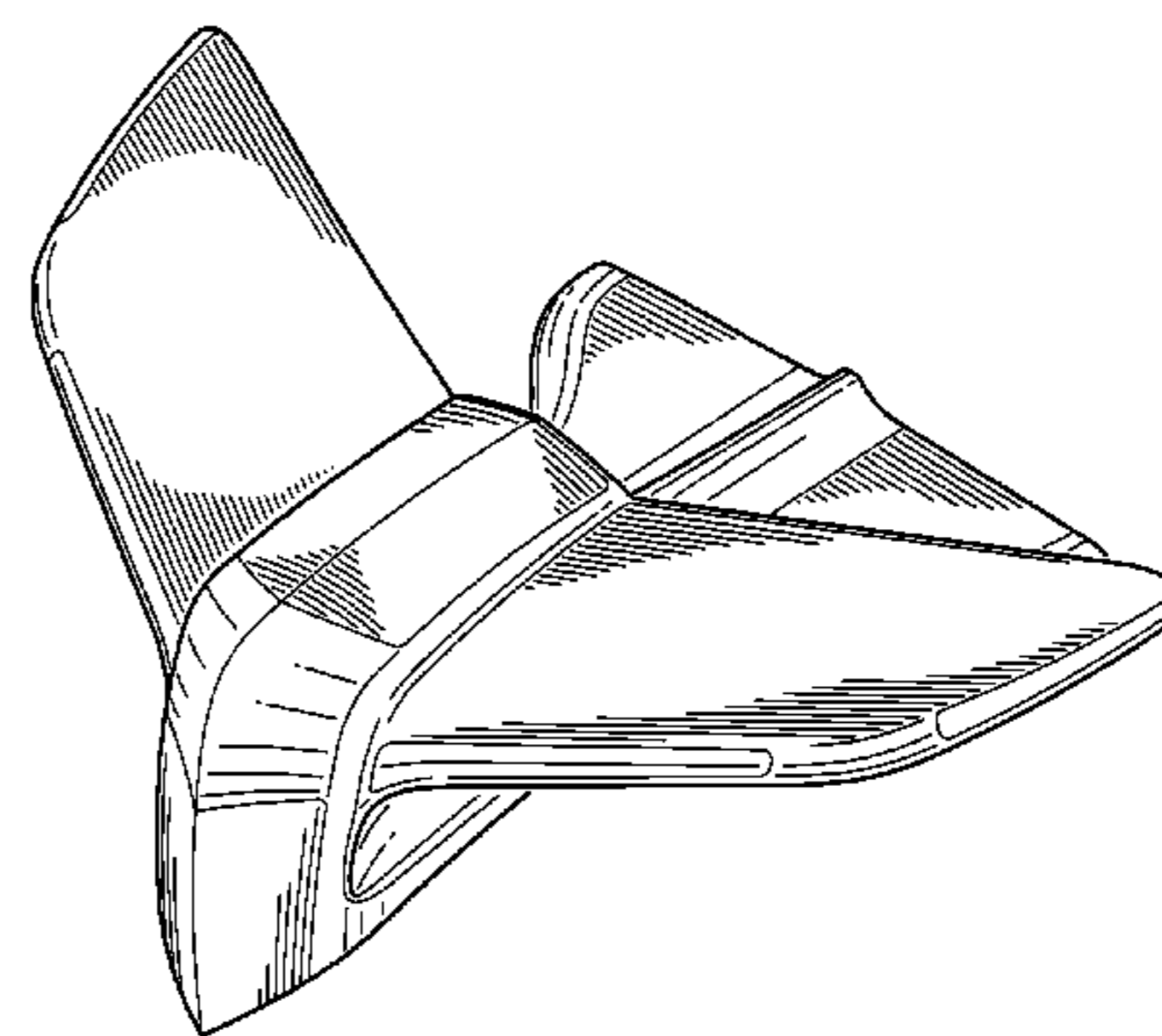
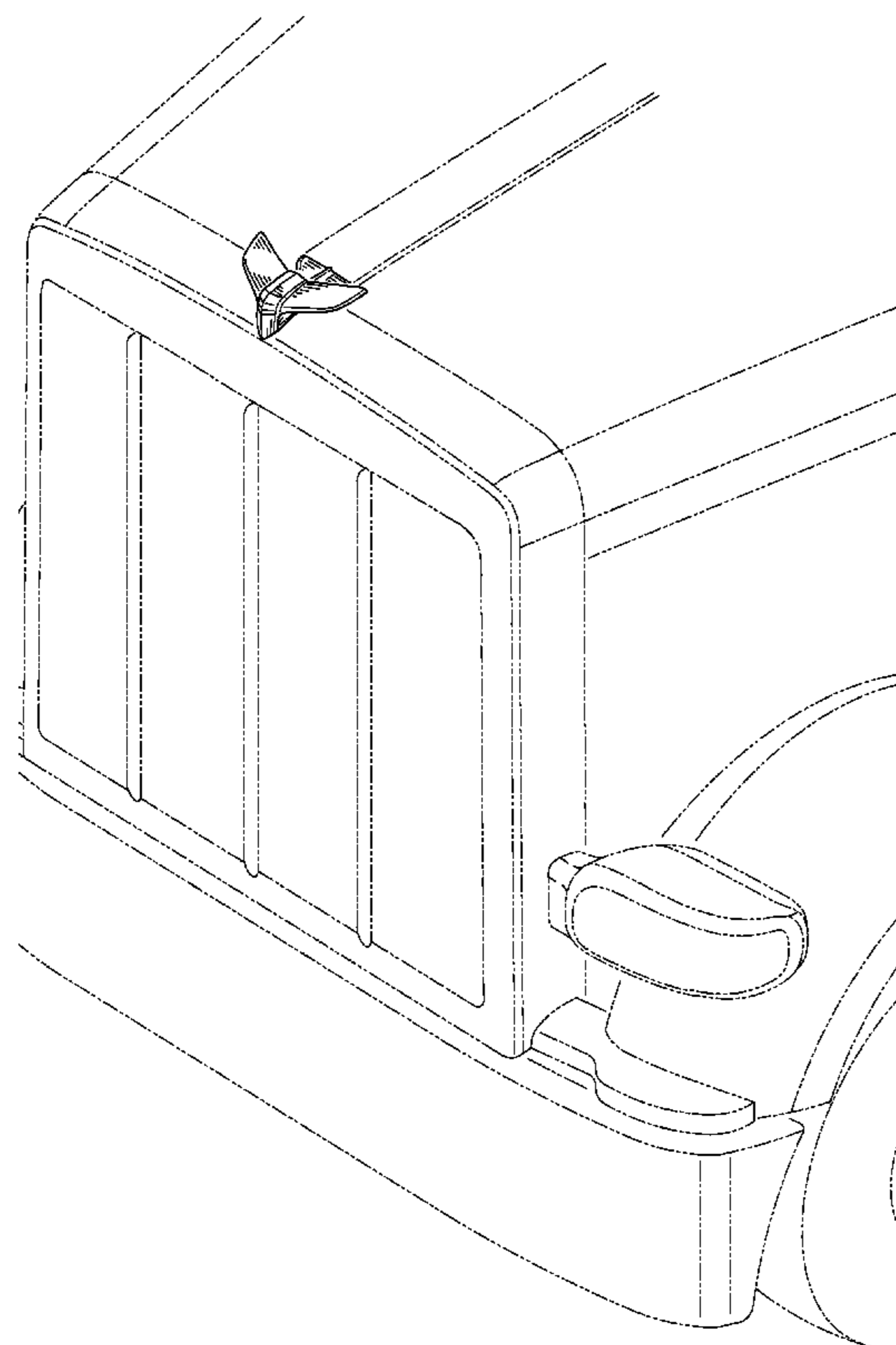
FIG. 6 is a rear view of the hood ornament.

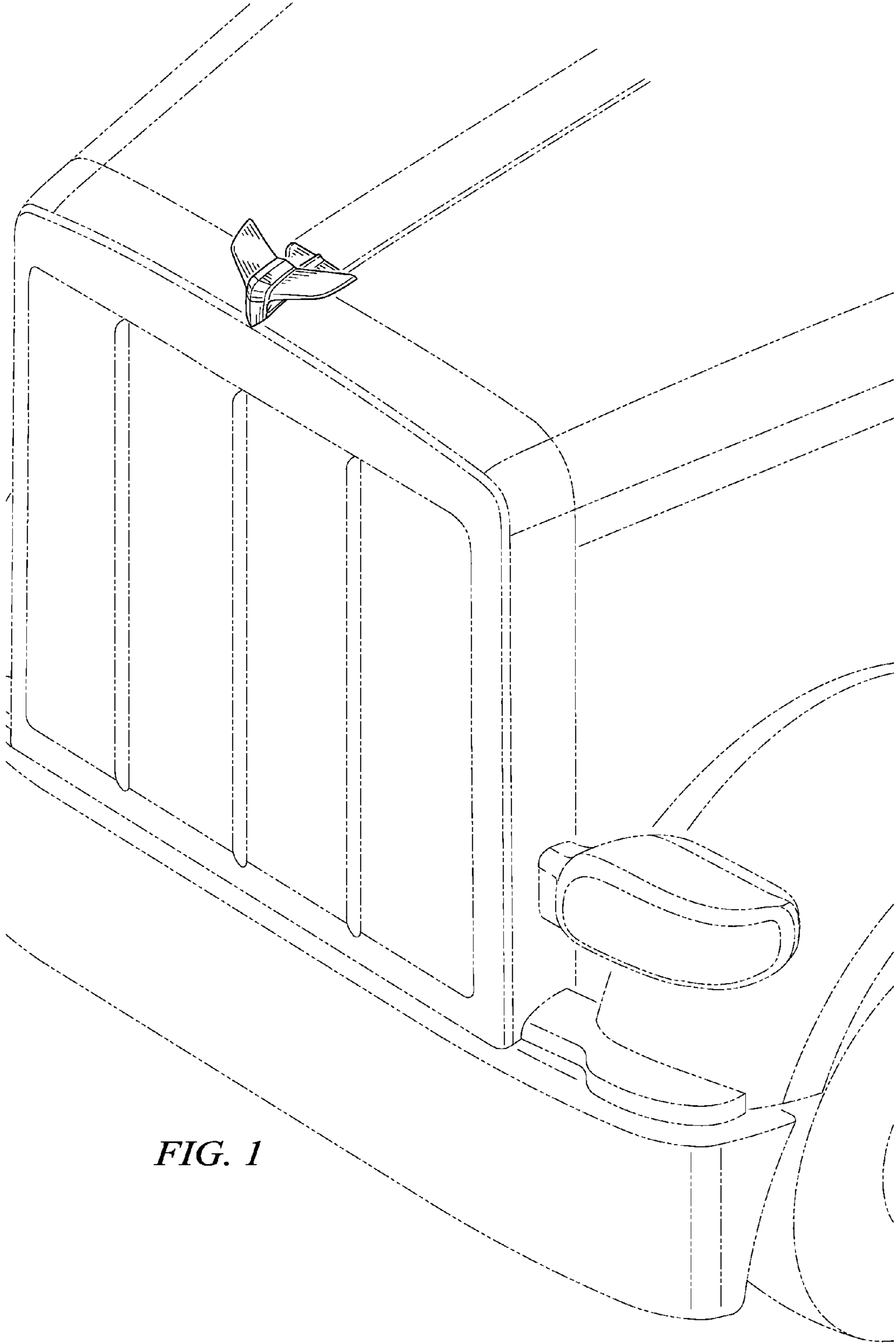
The bottom of the hood ornament is unadorned.

The broken line showing of the tractor, in FIG. 1, depicts environment and is not part of the claimed design.

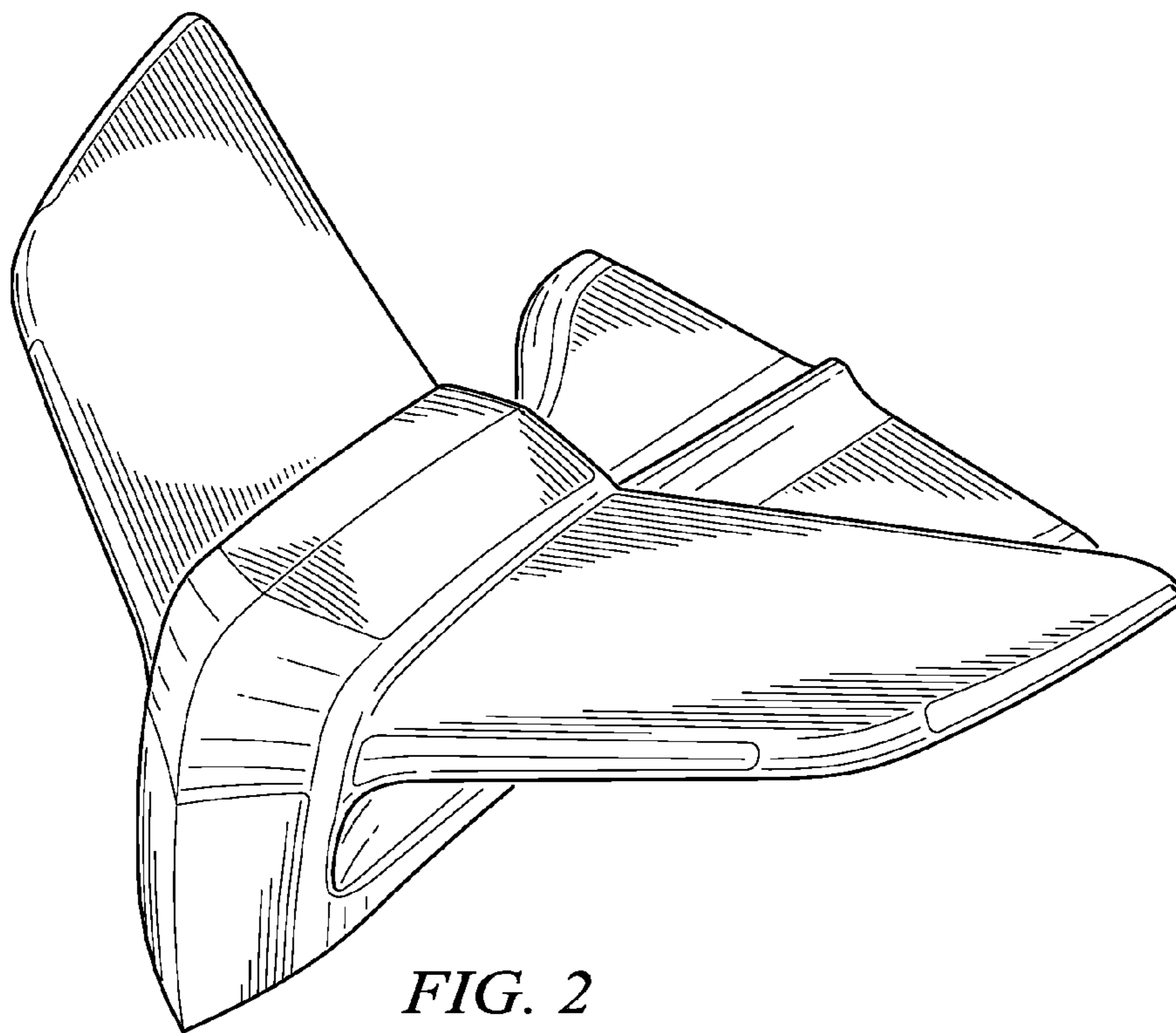
The hood ornament is shown on an enlarged scale in FIGS. 2-6.

**1 Claim, 3 Drawing Sheets**

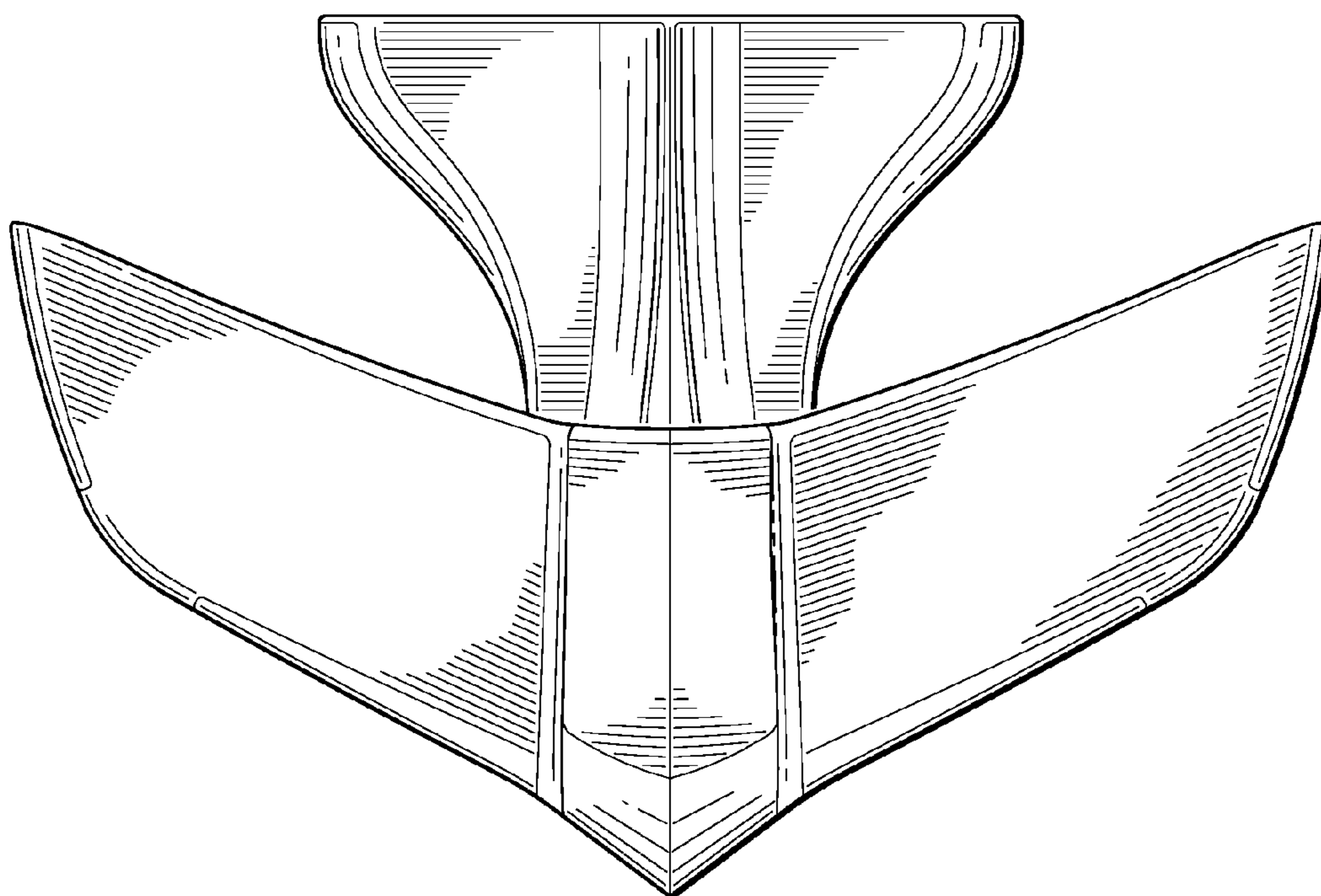




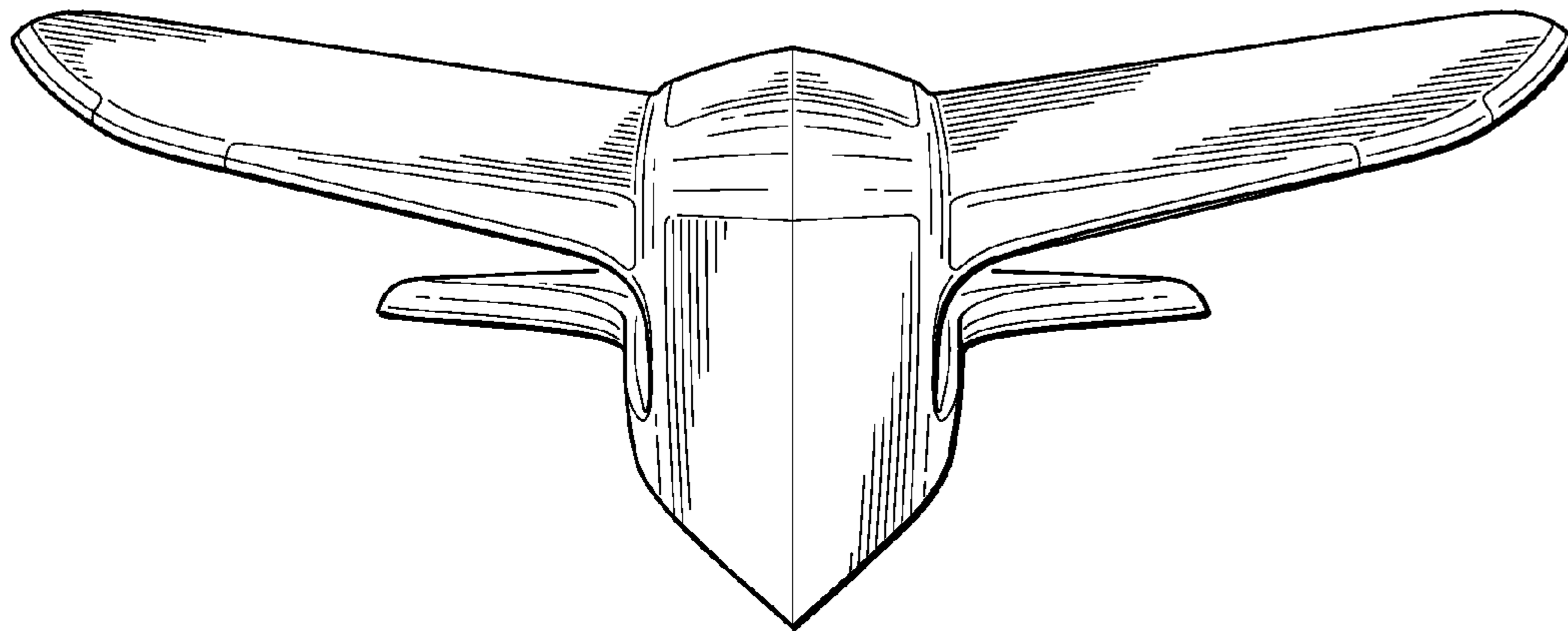
*FIG. 1*



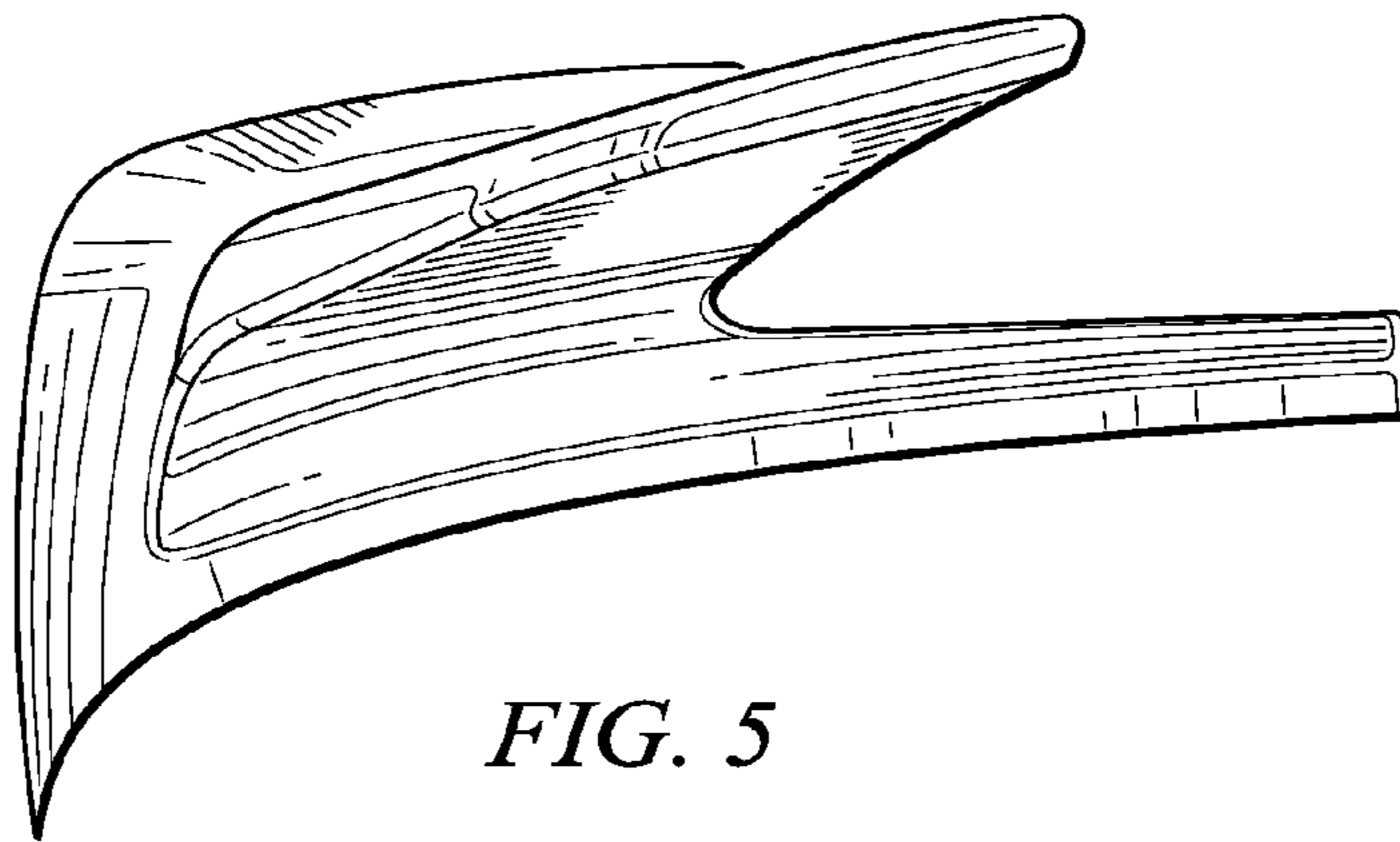
*FIG. 2*



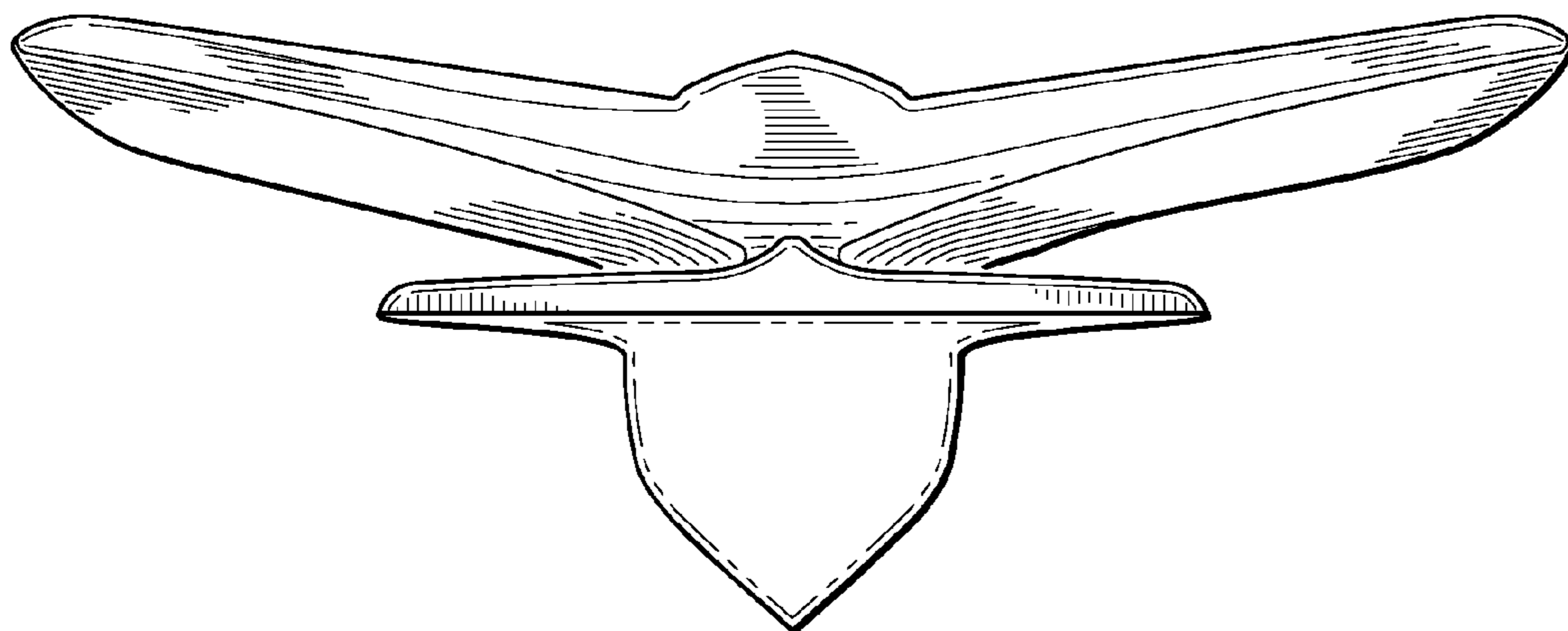
*FIG. 3*



*FIG. 4*



*FIG. 5*



*FIG. 6*



UNITED STATES PATENT AND TRADEMARK OFFICE  
**CERTIFICATE OF CORRECTION**

PATENT NO. : Des. 549,631 S  
APPLICATION NO. : 29/249966  
DATED : August 28, 2007  
INVENTOR(S) : S. M. Conway et al.

Page 1 of 1

It is certified that error appears in the above-identified patent and that said Letters Patent is hereby corrected as shown below:

Title Page,  
Pg. 1, col. 1, Item (73) Assignee "**PACCAR Inc.,**" should read --**PACCAR Inc,**--

Signed and Sealed this

Eighth Day of July, 2008

A handwritten signature in black ink that reads "Jon W. Dudas". The signature is written in a cursive style with a large, looped initial "J".

JON W. DUDAS  
*Director of the United States Patent and Trademark Office*