

US00D549630S

(12) **United States Design Patent**
Hughes

(10) **Patent No.:** **US D549,630 S**

(45) **Date of Patent:** **** Aug. 28, 2007**

(54) **RECREATIONAL VEHICLE DOOR**

D513,215 S * 12/2005 Hall et al. D12/195

(76) Inventor: **Samuel Hughes**, 506 Bucks Branch,
Martin, KY (US) 41649

* cited by examiner

(**) Term: **14 Years**

Primary Examiner—Stacia Cadmus

(21) Appl. No.: **29/250,169**

(74) *Attorney, Agent, or Firm*—Steven J. Hultquist;
Intellectual Property / Technology Law

(22) Filed: **Nov. 4, 2006**

(57) **CLAIM**

(51) **LOC (8) Cl.** **12-08**

The ornamental design for a recreational vehicle door, as
shown and described.

(52) **U.S. Cl.** **D12/195**

(58) **Field of Classification Search** D12/195,
D12/190; 49/501–502; 296/37.1, 37.13,
296/149, 153, 146.1

DESCRIPTION

See application file for complete search history.

FIG. 1 is a perspective view of a recreational vehicle top
showing my new design;

FIG. 2 is a top plan view thereof;

FIG. 3 is a bottom plan view thereof;

FIG. 4 is a side elevational view thereof (the respective sides
being symmetrical to one another);

FIG. 5 is a front elevation view thereof; and,

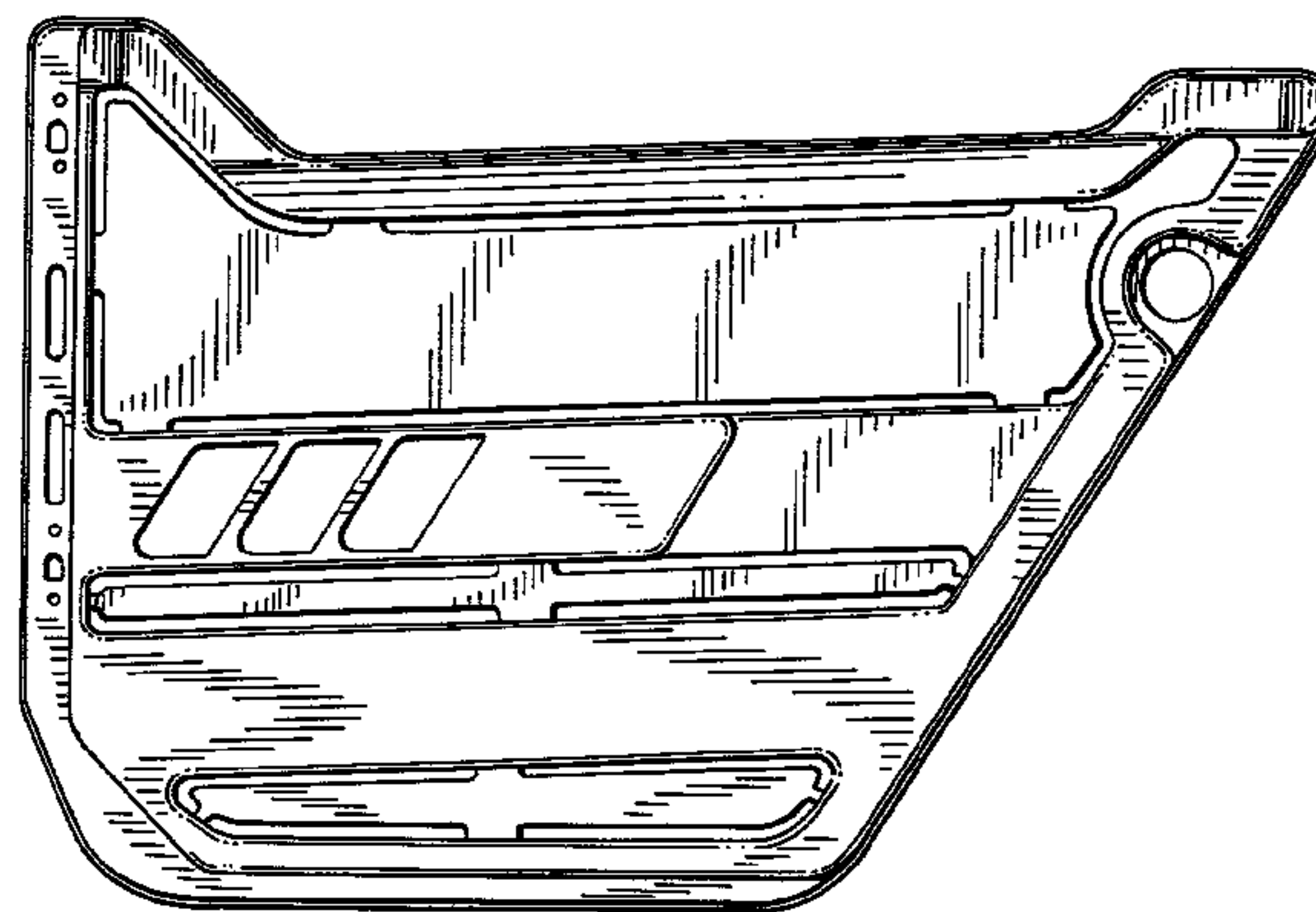
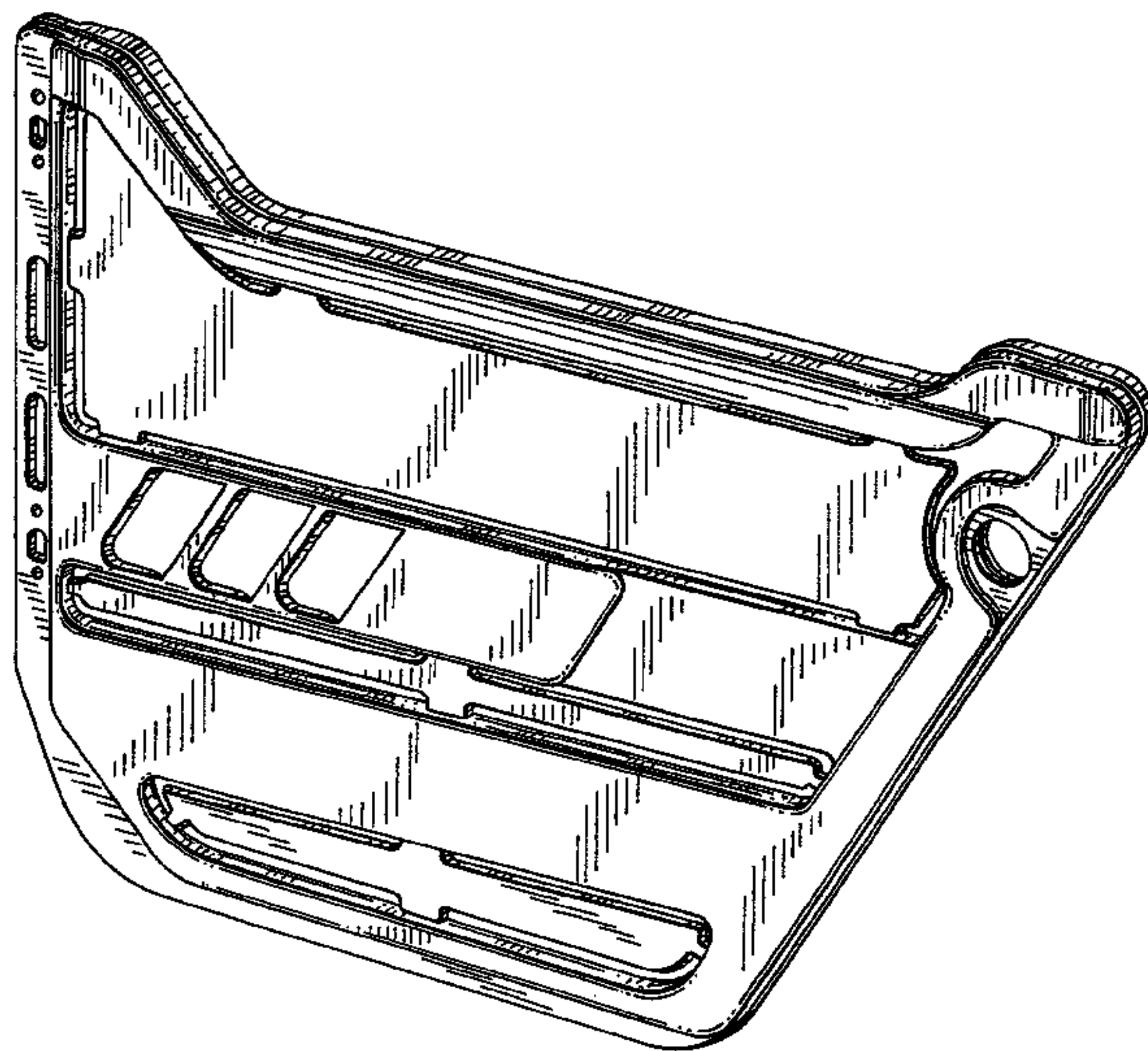
FIG. 6 is a rear elevation view thereof.

(56) **References Cited**

U.S. PATENT DOCUMENTS

D296,883 S *	7/1988	Lim	D12/195
D338,865 S *	8/1993	Lim	D12/195
D348,644 S *	7/1994	Lim	D12/195
D409,543 S *	5/1999	Sutton et al.	D12/195
D409,965 S *	5/1999	Mueller et al.	D12/195
D468,246 S *	1/2003	Wyszogrod et al.	D12/195

1 Claim, 3 Drawing Sheets



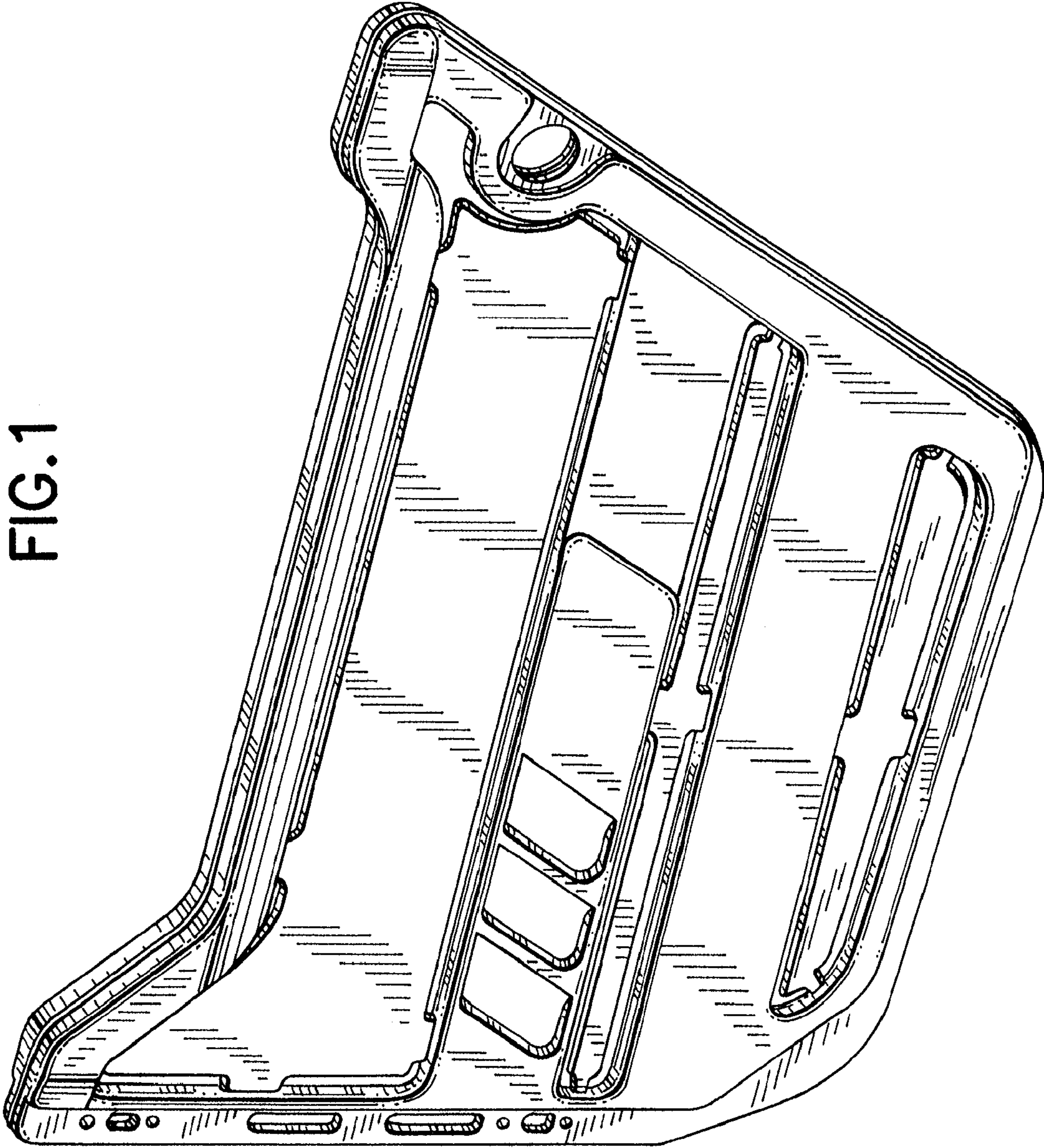


FIG. 1

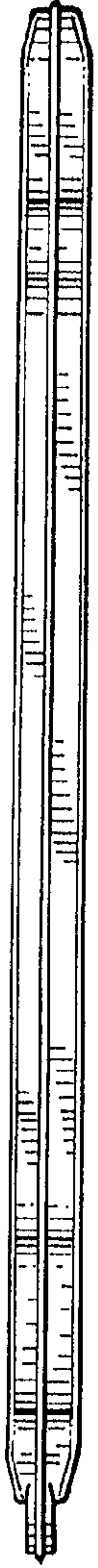


FIG. 2

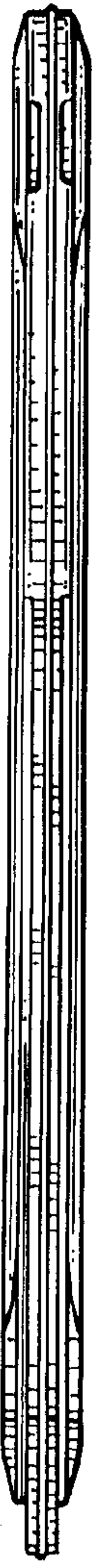


FIG. 3

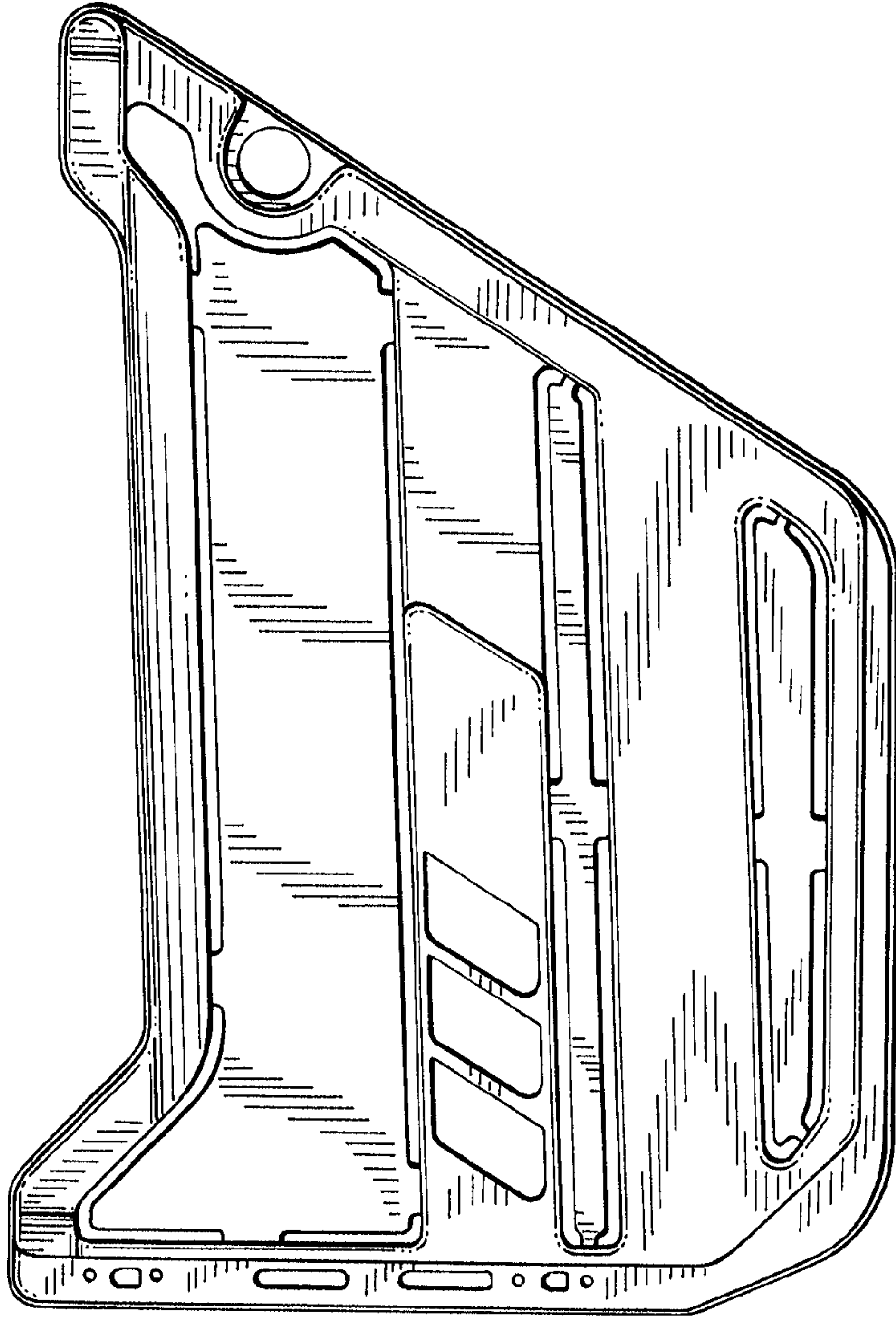


FIG. 4



FIG. 5

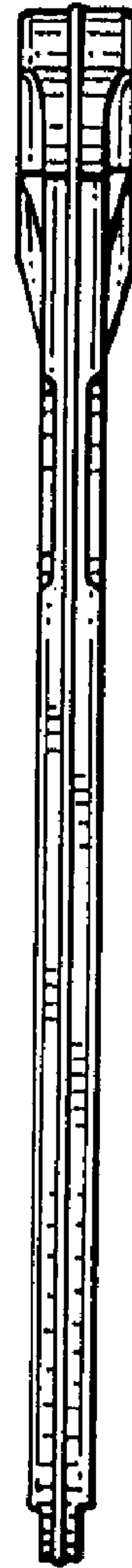


FIG. 6