

US00D549628S

(12) **United States Design Patent** (10) **Patent No.:** **US D549,628 S**  
**Esaki et al.** (45) **Date of Patent:** **\*\* Aug. 28, 2007**

(54) **DASHBOARD FOR AN AUTOMOBILE**

(75) Inventors: **Hideki Esaki**, Toyota (JP); **Aiji Shimizu**, Toyota (JP); **Itirou Mukai**, Kariya (JP); **Shingo Tomooka**, Yokosuka (JP)

(73) Assignee: **Toyota Jidosha Kabushiki Kaisha** (JP)

(\*\*) Term: **14 Years**

(21) Appl. No.: **29/270,092**

(22) Filed: **Dec. 14, 2006**

(51) **LOC (8) Cl.** ..... **12-16**

(52) **U.S. Cl.** ..... **D12/192**

(58) **Field of Classification Search** ..... D12/192,  
D12/345, 317; 180/90; 280/750-752;  
296/190.01-190.09, 70; D15/17, 28; D10/46,  
D10/98, 102-103; 362/482, 489; 73/431,  
73/866.3

See application file for complete search history.

(56) **References Cited**

**U.S. PATENT DOCUMENTS**

D423,434 S *	4/2000	Yano et al. ....	D12/192
D432,474 S *	10/2000	Sacco et al. ....	D12/192
D449,263 S *	10/2001	Yamazaki et al. ....	D12/192
D470,809 S *	2/2003	Asahi et al. ....	D12/192
D492,632 S *	7/2004	Pfeiffer .....	D12/192
D493,756 S *	8/2004	Yamamoto et al. ....	D12/192
D512,006 S *	11/2005	Sims .....	D12/192
D512,671 S *	12/2005	Juraschek .....	D12/192

D519,893 S *	5/2006	Kabayama et al. ....	D12/192
D530,249 S *	10/2006	Norman et al. ....	D12/192
D532,730 S *	11/2006	Kohara et al. ....	D12/192
D539,714 S *	4/2007	Toyama et al. ....	D12/192

**OTHER PUBLICATIONS**

Toyota, Porte, All About Toyota Porte, Mar. 12, 2004, Sanei-Shobo Publishing Co., Ltd.

Honda, ElySION, Brochure of ELYSION, May 1, 2004, Honda Motor Co., Ltd.

Honda, Step Wagon, All About THE latest Minivans, Jan. 29, 2006, Sanei-Shobo Publishing Co. Ltd.

\* cited by examiner

*Primary Examiner*—Stacia Cadmus

(74) *Attorney, Agent, or Firm*—SAIDMAN DesignLaw Group

(57) **CLAIM**

The ornamental design for a dashboard for an automobile, as shown and described.

**DESCRIPTION**

FIG. 1 is a front perspective view of a dashboard for an automobile showing our new design;

FIG. 2 is a front view thereof;

FIG. 3 is a top plan view thereof;

FIG. 4 is a bottom view thereof;

FIG. 5 is a right-side view thereof; and,

FIG. 6 is a left-side view thereof.

**1 Claim, 3 Drawing Sheets**

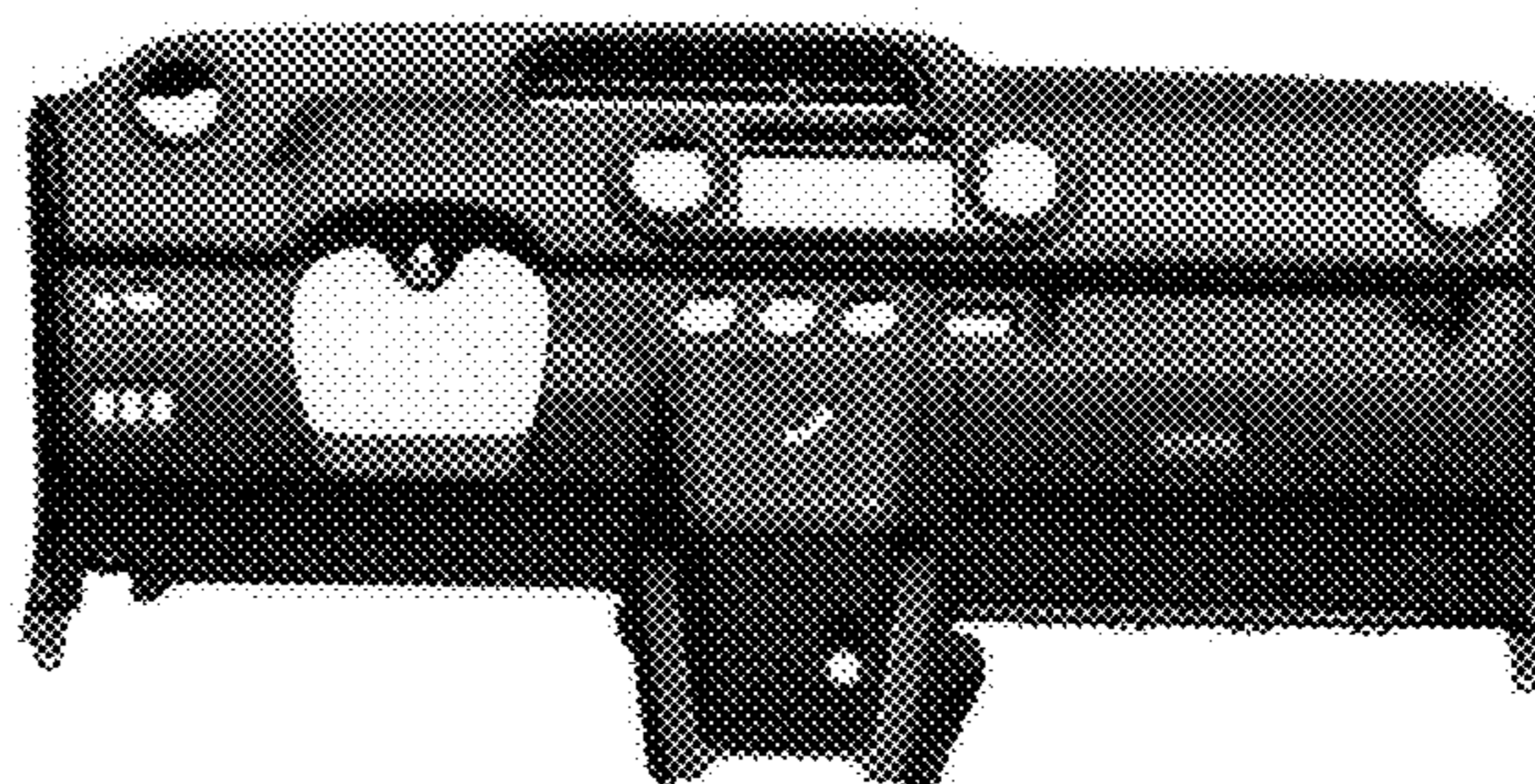




FIG. 1



FIG. 2



FIG. 3

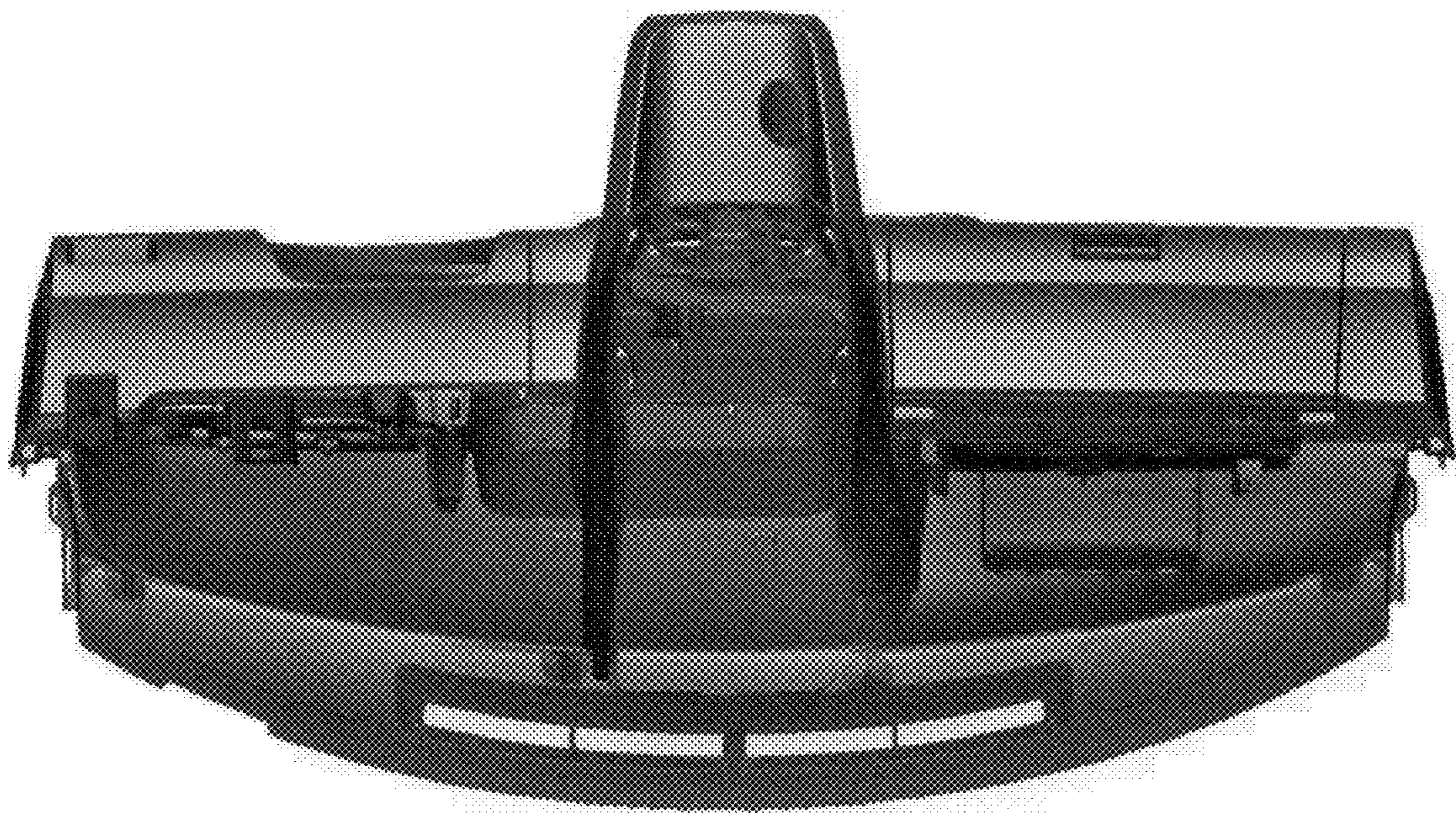
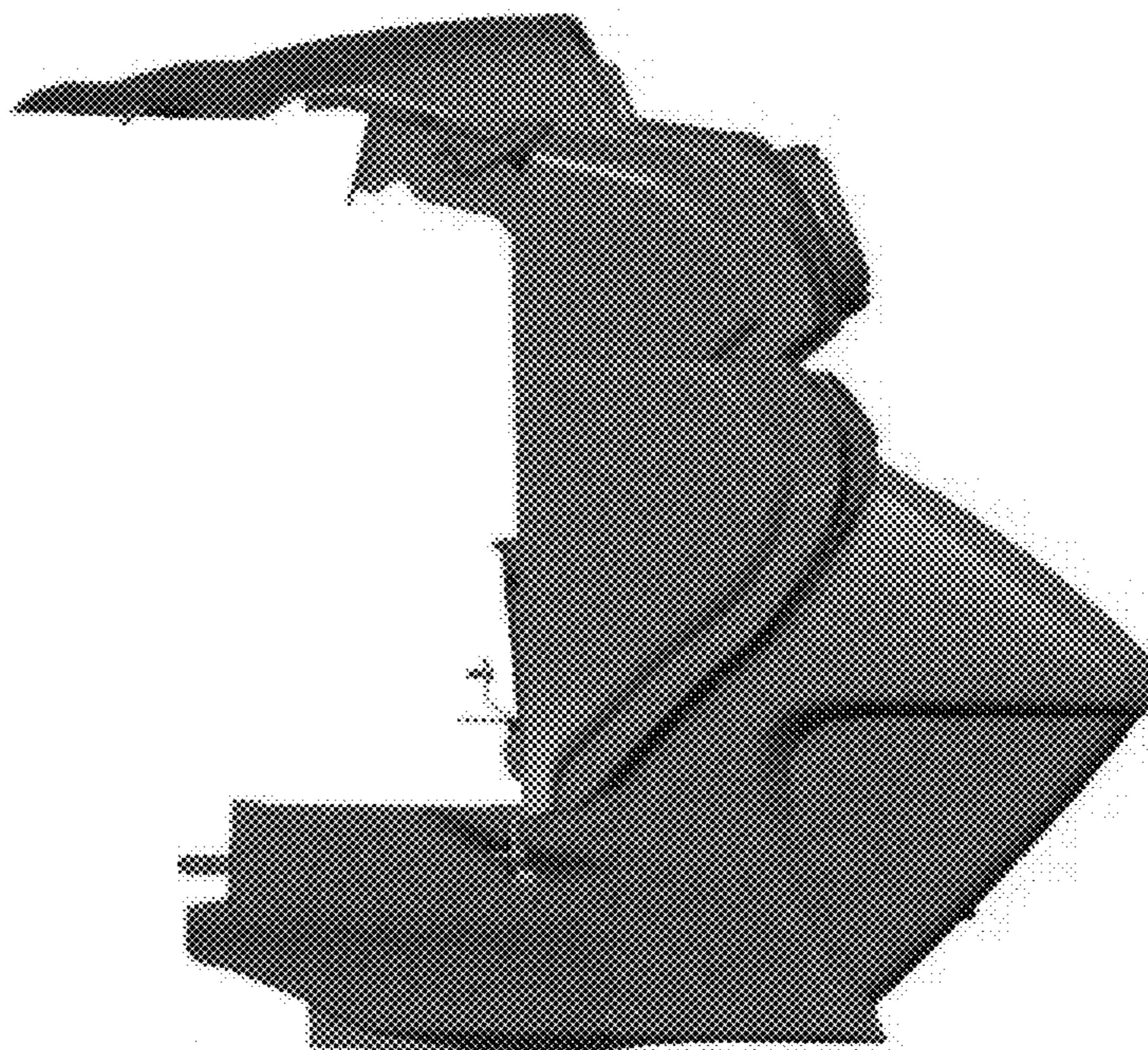
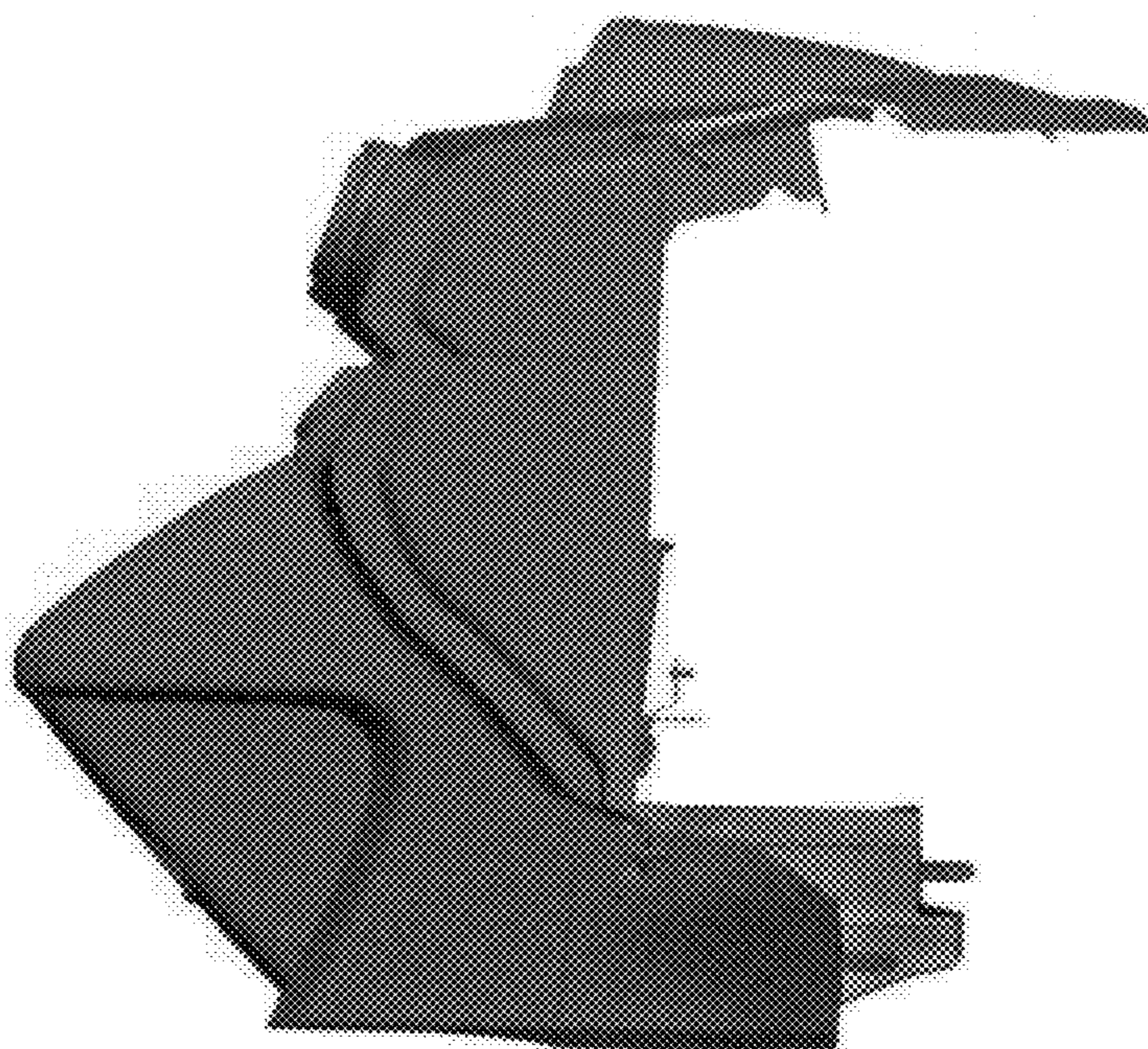


FIG. 4



**FIG. 5**



**FIG. 6**