

US00D549627S

(12) **United States Design Patent**
Esaki

(10) **Patent No.:** **US D549,627 S**
(45) **Date of Patent:** **** Aug. 28, 2007**

(54) **DASHBOARD GAUGE PANEL FOR AN AUTOMOBILE**

D529,847 S * 10/2006 Montijo et al. D12/192
D531,557 S * 11/2006 Weideman D12/192

(75) Inventor: **Hideki Esaki**, Toyota (JP)
(73) Assignee: **Toyota Jidosha Kabushiki Kaisha** (JP)
(**) Term: **14 Years**
(21) Appl. No.: **29/270,089**
(22) Filed: **Dec. 14, 2006**

OTHER PUBLICATIONS

PORSCHE, 911 Carrera 4, Foreign market report on Jul. 20, 2005, <http://www.carview.co.jp/>.
DAIMLERCHRYSLER, Jeep Hurricane, North American International Auto Show 2005, held Jul. 20, 2005, <http://www.carview.co.jp/>.

* cited by examiner

Primary Examiner—Stacia Cadmus

(74) *Attorney, Agent, or Firm*—SAIDMAN Design Law Group

(51) **LOC (8) Cl.** **12-16**
(52) **U.S. Cl.** **D12/192**
(58) **Field of Classification Search** D12/192,
D12/345, 317; 180/90; 280/750-752;
296/190.01-190.09, 70; D15/17, 28; D10/46,
D10/98, 102-103; 362/482, 489; 73/431,
73/866.3

See application file for complete search history.

(57) **CLAIM**

The ornamental design for a dashboard gauge panel for an automobile, as shown and described.

DESCRIPTION

FIG. 1 is a front perspective view of a dashboard gauge panel for an automobile showing my new design;

FIG. 2 is front view thereof;

FIG. 3 is a left-side view thereof;

FIG. 4 is right-side view thereof;

FIG. 5 is a top-plan view thereof; and,

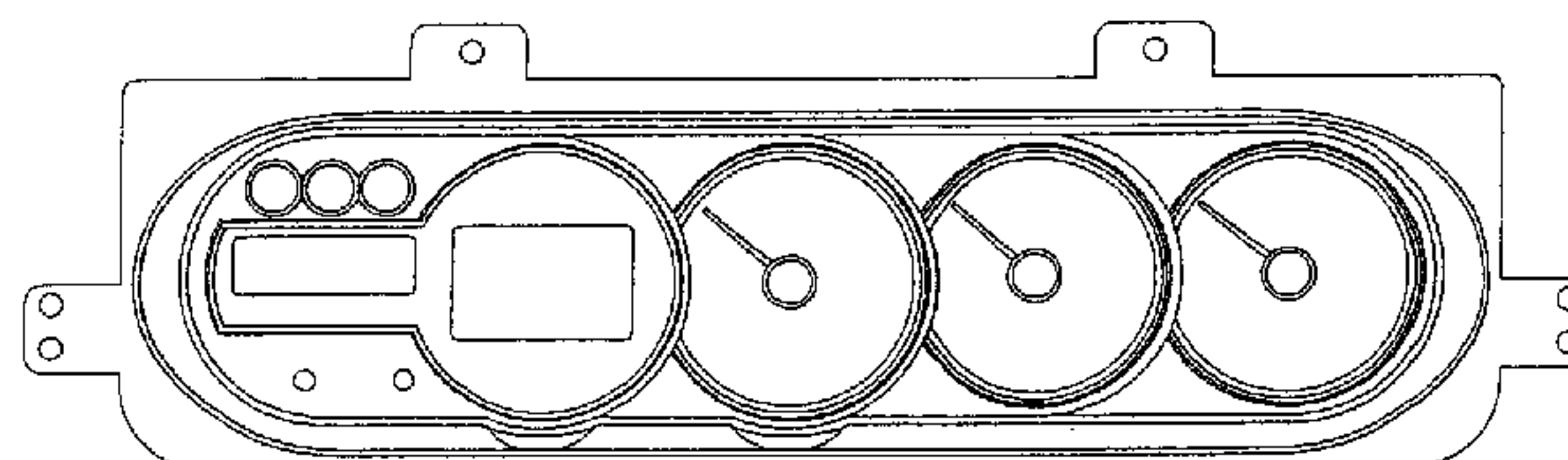
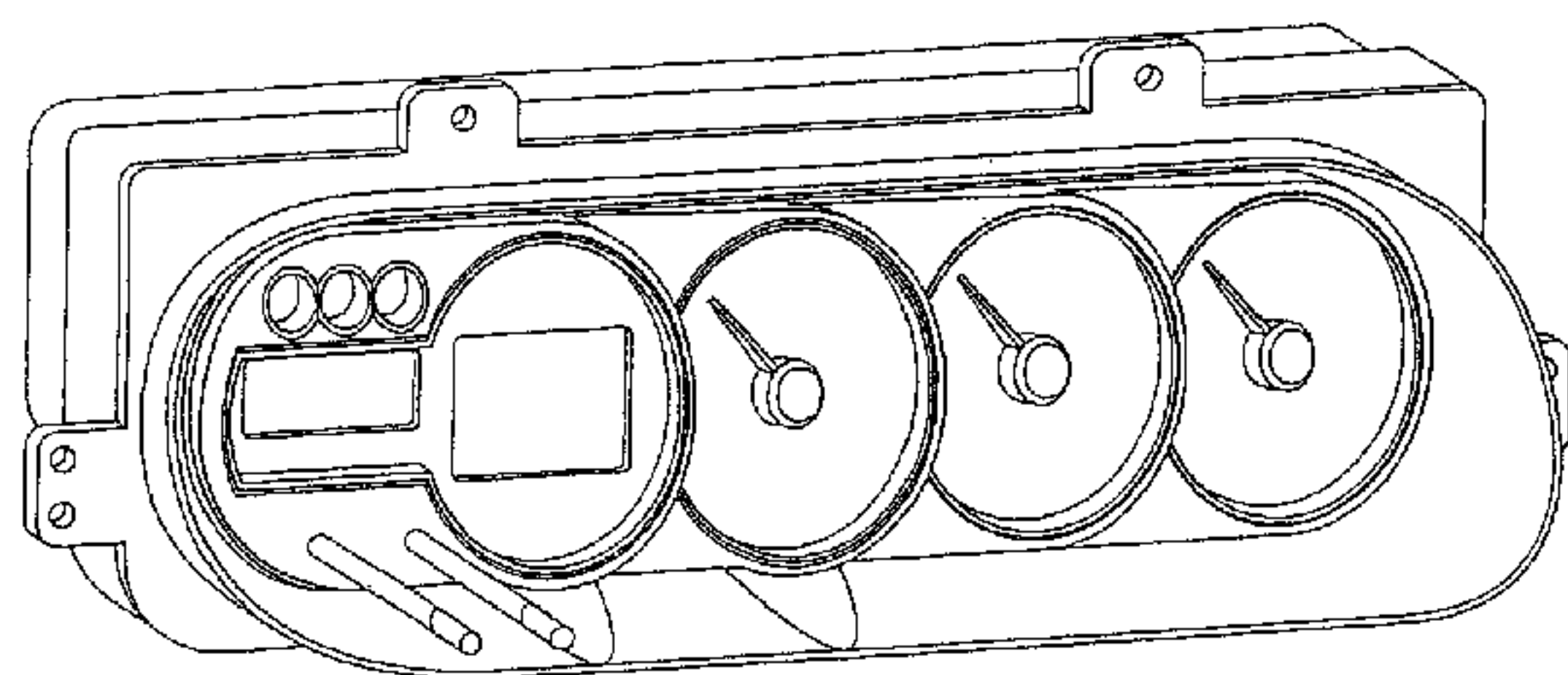
FIG. 6 is bottom view thereof.

(56) **References Cited**

U.S. PATENT DOCUMENTS

D54,138 S * 11/1919 Smith D12/192
D249,247 S * 9/1978 Shotz et al. D10/98
D491,504 S * 6/2004 Sato et al. D12/192
D499,367 S * 12/2004 Sauter et al. D12/192
D504,643 S * 5/2005 Chao D12/192
D505,101 S * 5/2005 Jurashek D12/192
D529,423 S * 10/2006 Yu et al. D12/192

1 Claim, 3 Drawing Sheets



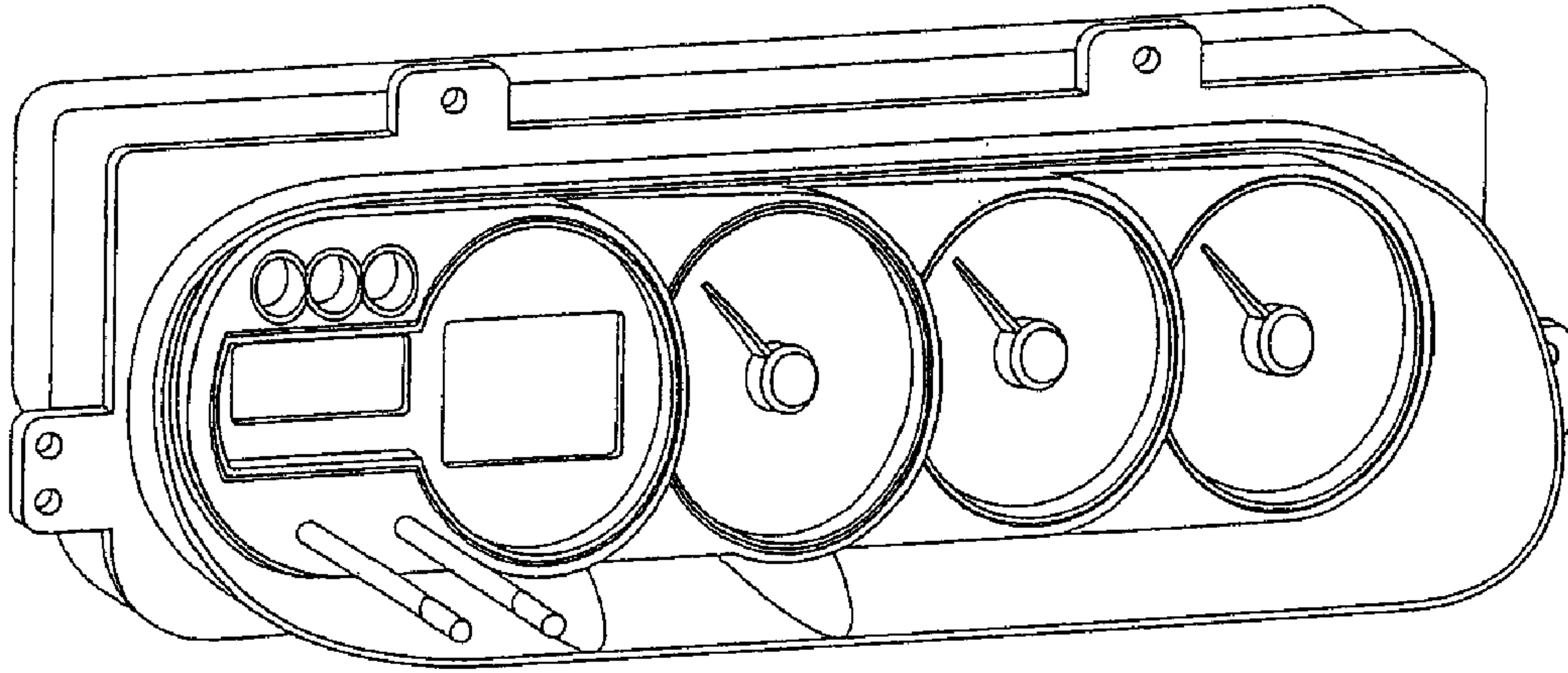


FIG. 1

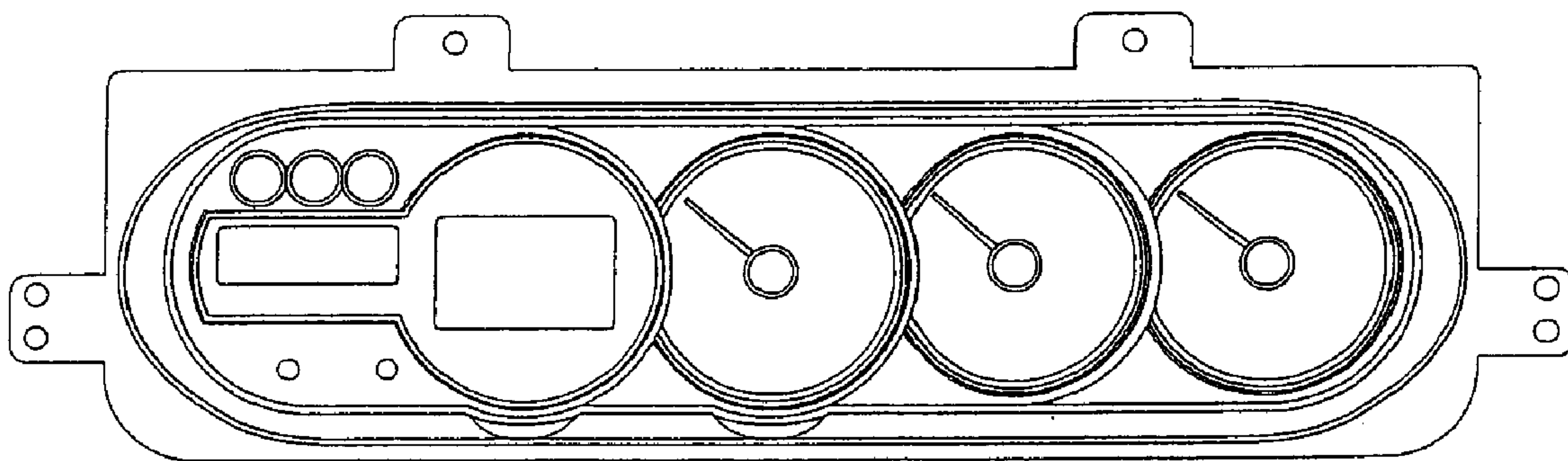


FIG. 2

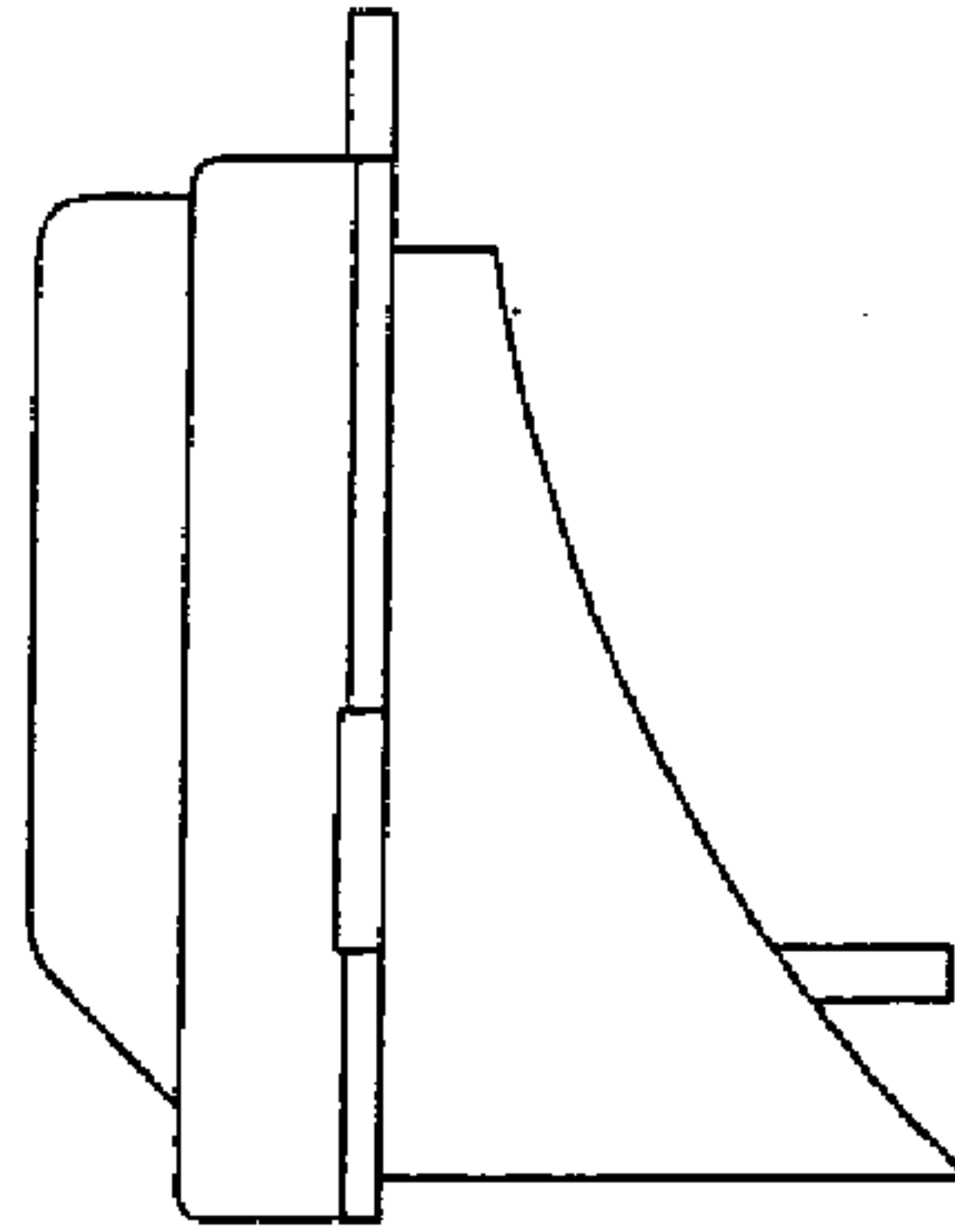


FIG. 3

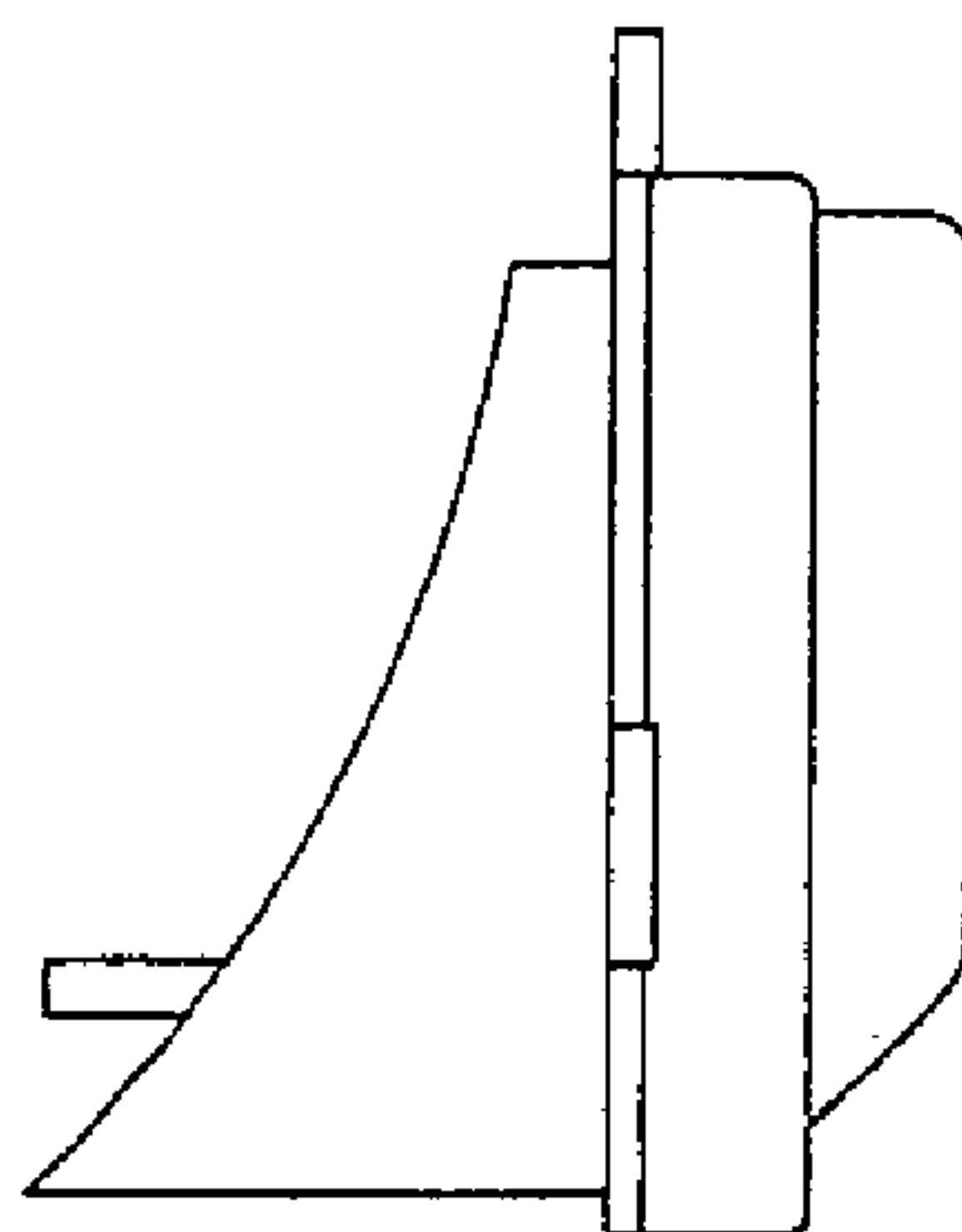


FIG. 4

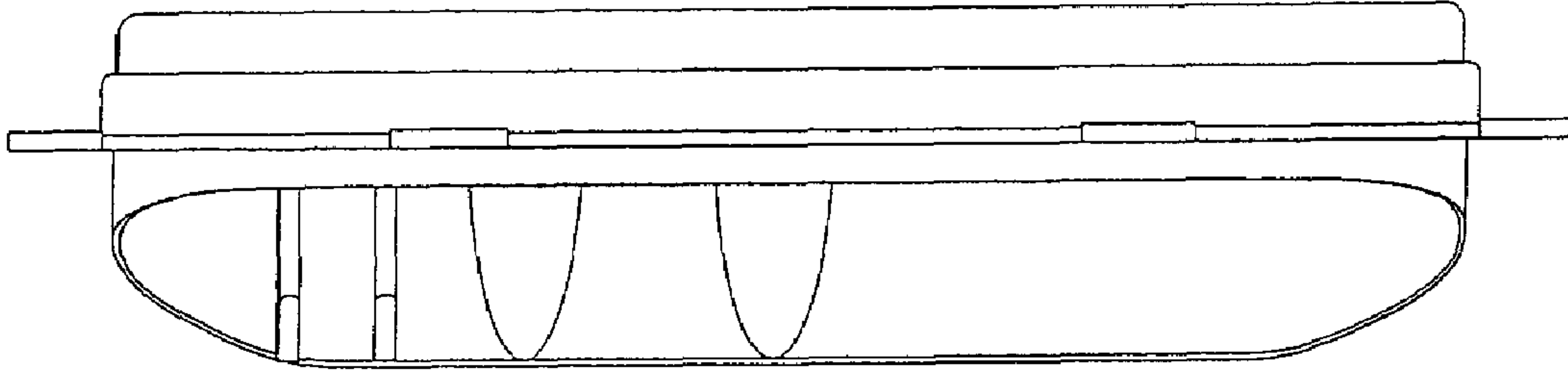


FIG. 5

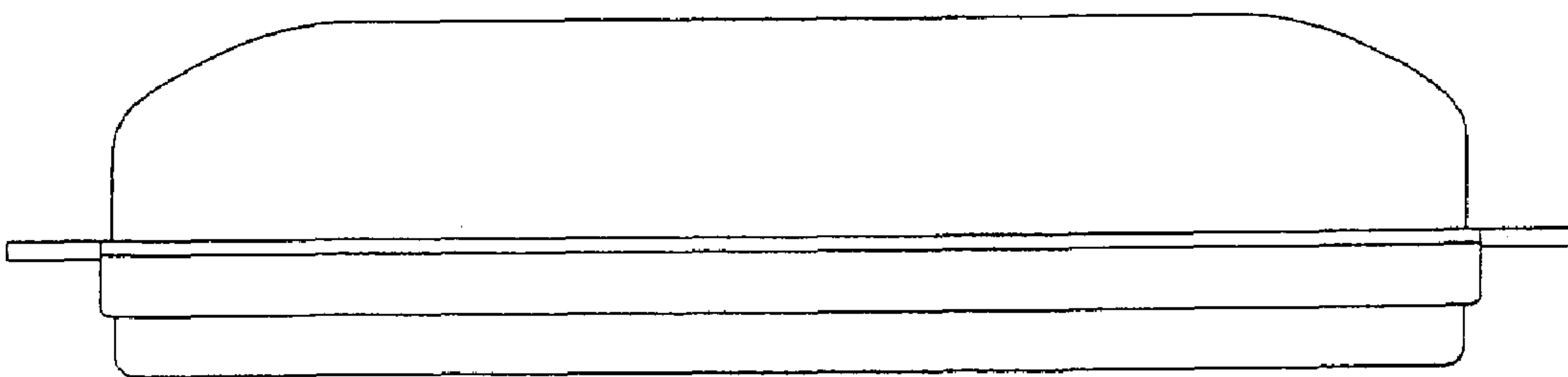


FIG. 6