

US00D549626S

(12) **United States Design Patent**
Elwell

(10) **Patent No.:** **US D549,626 S**

(45) **Date of Patent:** **** Aug. 28, 2007**

(54) **CHROME FRONT WINDOW VISOR**

(75) Inventor: **James P. Elwell**, Johnston, IA (US)

(73) Assignee: **Putco, Inc.**, Story City, IA (US)

(**) Term: **14 Years**

(21) Appl. No.: **29/276,591**

(22) Filed: **Jan. 30, 2007**

(51) **LOC (8) Cl.** **12-16**

(52) **U.S. Cl.** **D12/191**

(58) **Field of Classification Search** D12/181-183,
D12/190, 191, 196, 223, 400; 454/131-135;
49/374, 440; 160/370.21, 371, 105, 354,
160/DIG. 3, 4; 296/152, 154, 97.1-97.12,
296/95.1, 217, 180.1, 37.16

See application file for complete search history.

(56) **References Cited**

U.S. PATENT DOCUMENTS

2,034,342	A *	3/1936	Hay	296/152
D148,831	S *	2/1948	Wagner	D12/190
D231,216	S *	4/1974	Klones	D12/181
3,866,524	A *	2/1975	Forbes, Jr.	454/131
4,934,754	A *	6/1990	Cioffi	296/217
D310,652	S *	9/1990	Nagata	D12/191
D326,636	S *	6/1992	Barth	D12/181
5,251,953	A *	10/1993	Willey	296/152
D375,068	S *	10/1996	Lund	D12/183
D379,957	S *	6/1997	Strelling	D12/183
5,676,415	A *	10/1997	Ament et al.	296/37.16
5,797,645	A *	8/1998	Schenk et al.	296/152

D404,698	S *	1/1999	Schenk et al.	D12/183
6,019,414	A *	2/2000	Pourciau, Sr.	296/95.1
7,114,761	B2 *	10/2006	Kodama et al.	296/152
7,172,240	B1 *	2/2007	Kaufman	296/152

* cited by examiner

Primary Examiner—Stacia Cadmus

(74) *Attorney, Agent, or Firm*—McKee, Voorhees & Sease, P.L.C.

(57) **CLAIM**

I claim the ornamental design for a chrome front window visor substantially, as shown.

DESCRIPTION

FIG. 1 is a front perspective view of the chrome front window visor.

FIG. 2 is a rear perspective view of the chrome front window visor.

FIG. 3 is a front view of the chrome front window visor.

FIG. 4 is a rear elevational view of the chrome front window visor.

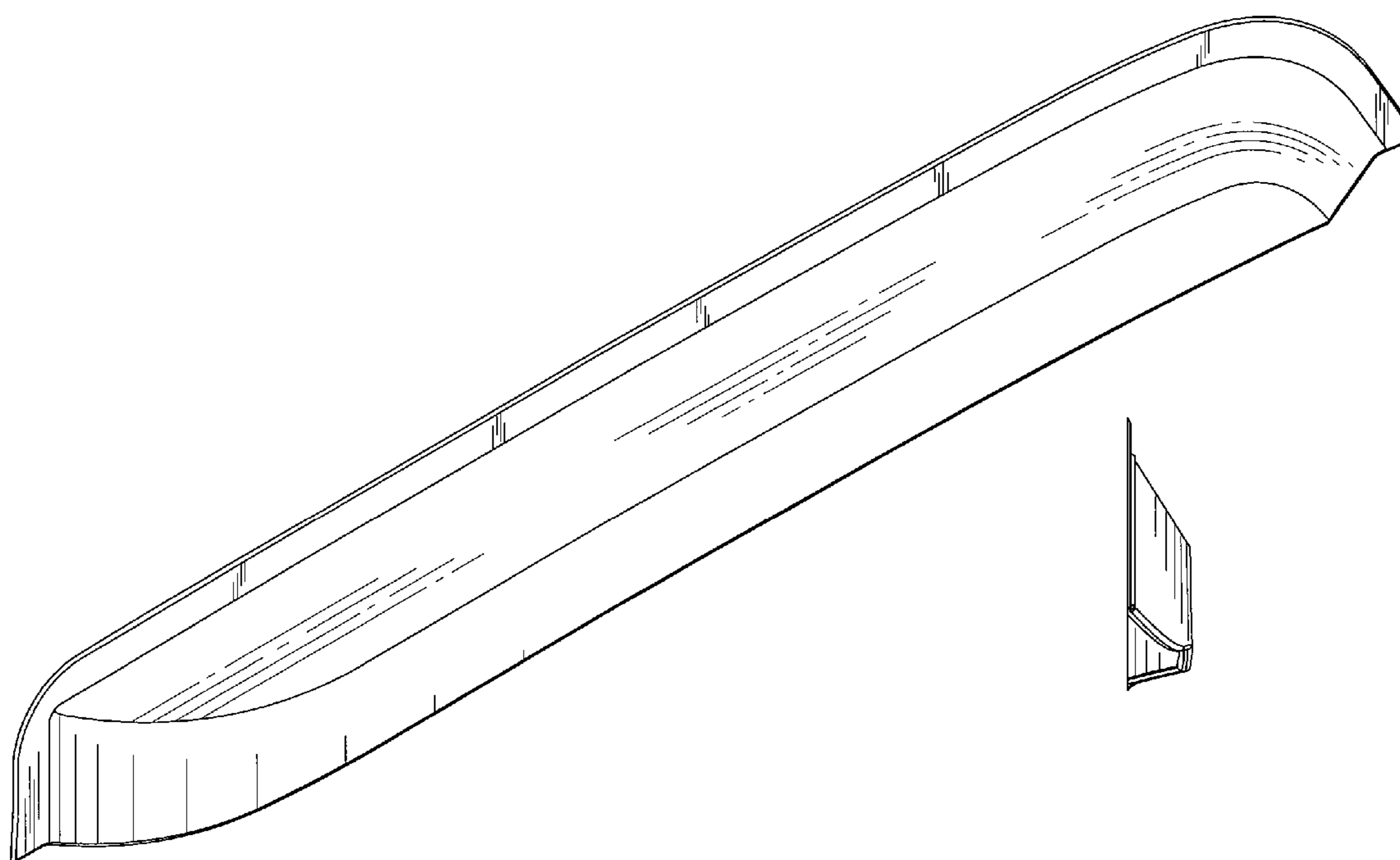
FIG. 5 is a left end view of the chrome front window visor.

FIG. 6 is a right end view of the chrome front window visor.

FIG. 7 is a top plan view of the chrome front window visor; and,

FIG. 8 is a bottom plan view of the chrome front window visor.

1 Claim, 4 Drawing Sheets



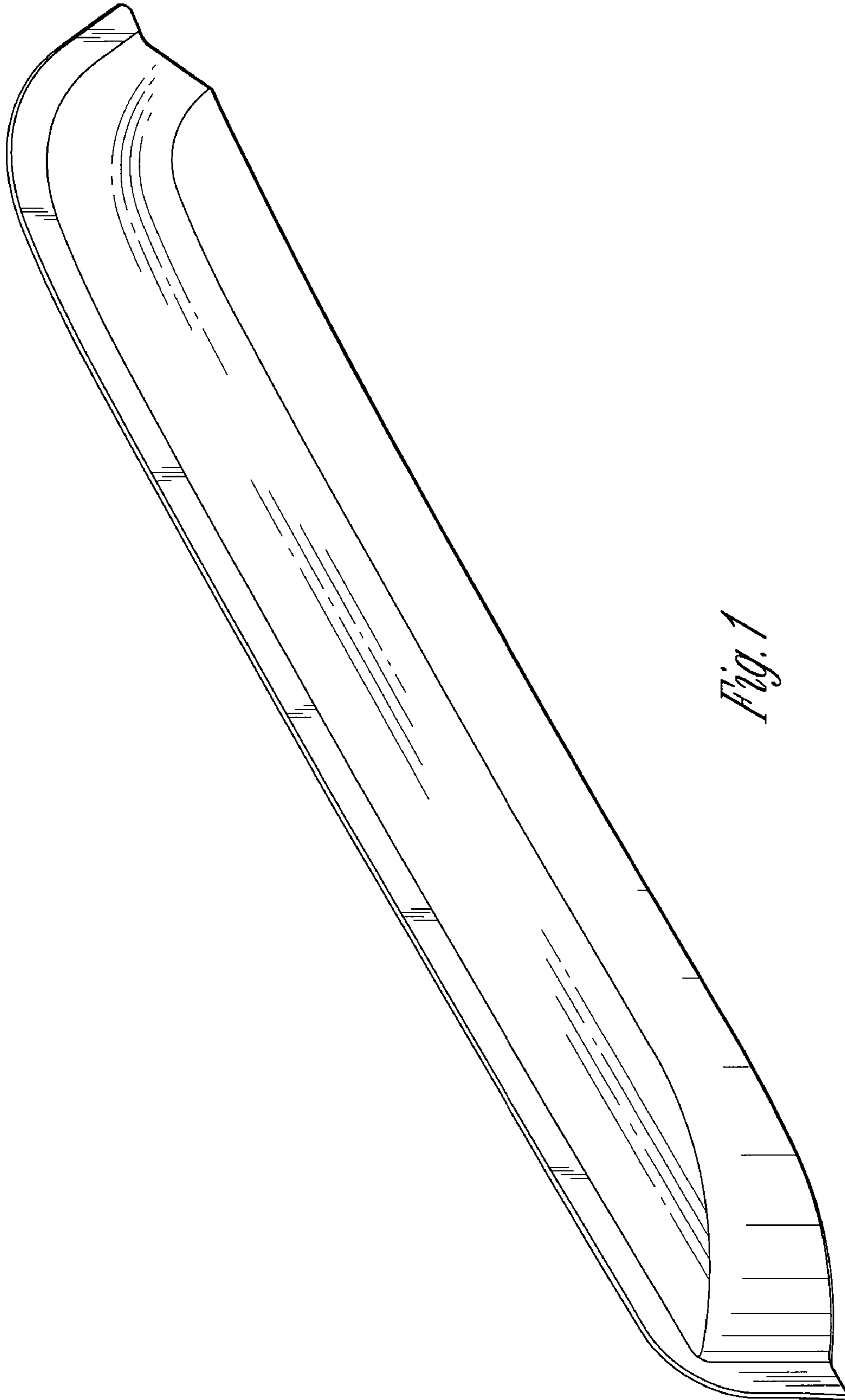


Fig. 1

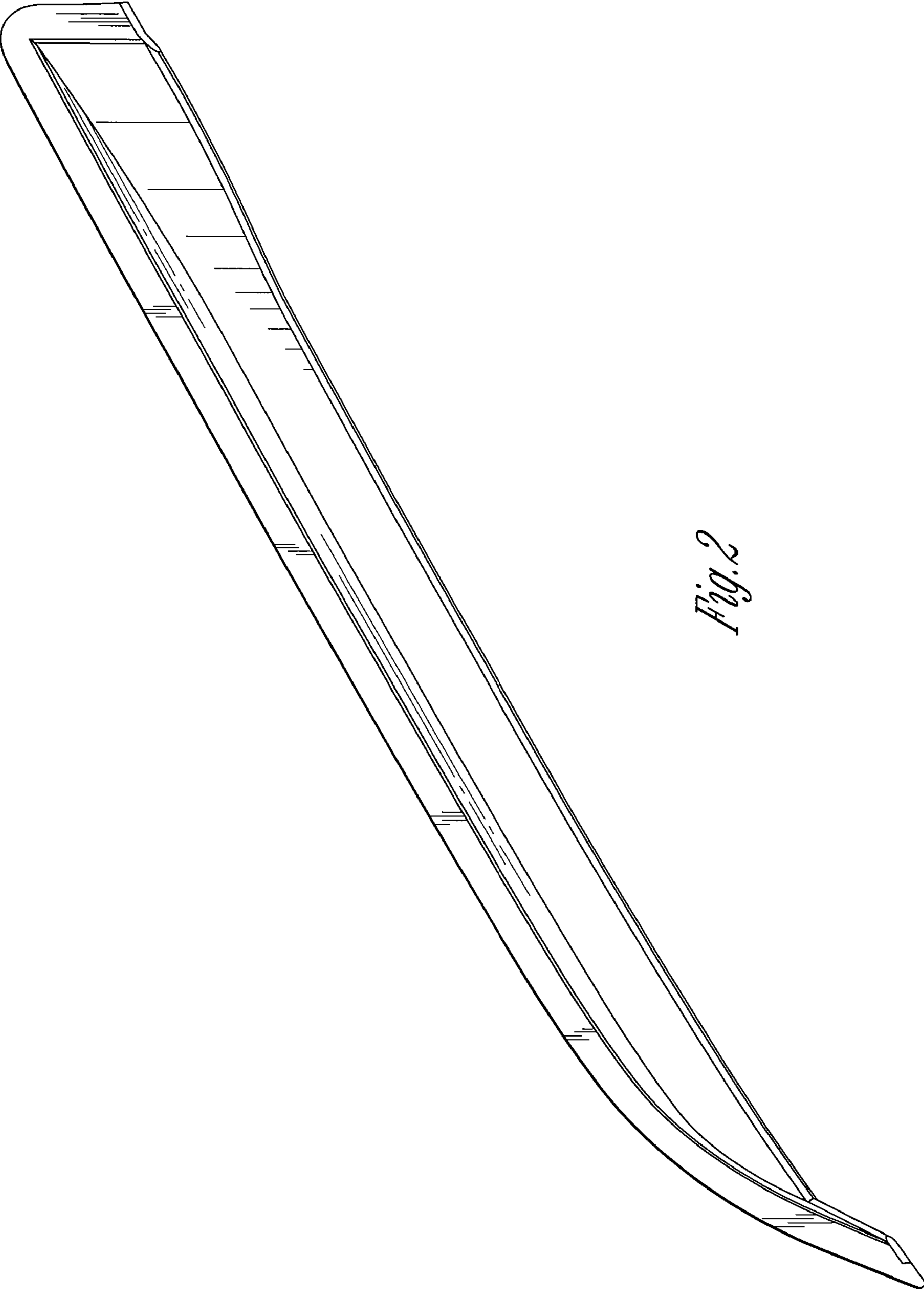


Fig. 2

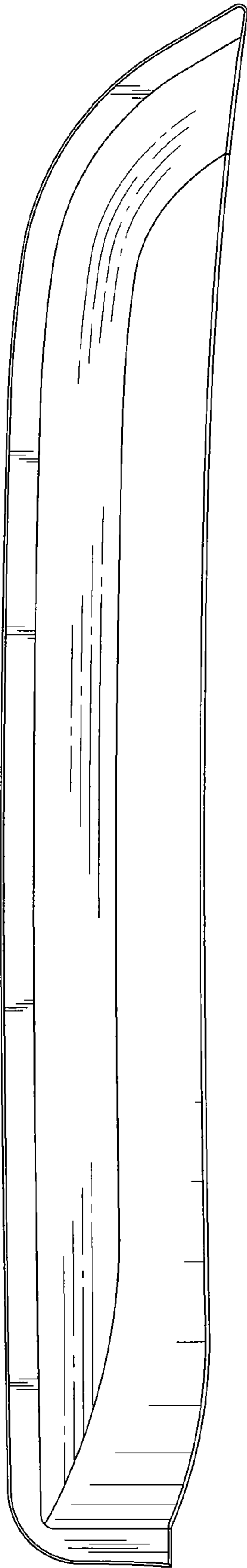


Fig. 3



Fig. 4



Fig. 5



Fig. 6



Fig. 7



Fig. 8

UNITED STATES PATENT AND TRADEMARK OFFICE
CERTIFICATE OF CORRECTION

PATENT NO. : Des. 549,626 S
APPLICATION NO. : 29/276591
DATED : August 28, 2007
INVENTOR(S) : James P. Elwell

Page 1 of 1

It is certified that error appears in the above-identified patent and that said Letters Patent is hereby corrected as shown below:

On the title page item (54):

DELETE: "FRONT" before WINDOW
ADD: --REAR-- before WINDOW

On the title page item (57):

DELETE: "front" before window
ADD: --rear-- before window. As shown below:

I claim the ornamental design for a CHROME ~~FRONT~~REAR WINDOW VISOR substantially as shown.

Figure 1 is a front perspective view of the chrome ~~front~~rear window visor.
Figure 2 is a rear perspective view of the chrome ~~front~~rear window visor.
Figure 3 is a front view of the chrome ~~front~~rear window visor.
Figure 4 is a rear elevational view of the chrome ~~front~~rear window visor.
Figure 5 is a left end view of the chrome ~~front~~rear window visor.
Figure 6 is a right end view of the chrome ~~front~~rear window visor.
Figure 7 is a top plan view of the chrome ~~front~~rear window visor.
Figure 8 is a bottom plan view of the chrome ~~front~~rear window visor.

Signed and Sealed this

Twenty-ninth Day of July, 2008



JON W. DUDAS

Director of the United States Patent and Trademark Office