

US00D549625S

(12) **United States Design Patent**
Pfeiffer

(10) **Patent No.:** **US D549,625 S**

(45) **Date of Patent:** **** Aug. 28, 2007**

(54) **SIDE MIRROR FOR A VEHICLE**

(74) *Attorney, Agent, or Firm*—Crowell & Moring LLP

(75) Inventor: **Peter Pfeiffer**, Boeblingen (DE)

(57) **CLAIM**

(73) Assignee: **DaimlerChrysler AG**, Stuttgart (DE)

The ornamental design for a side mirror for a vehicle, as shown and described.

(**) Term: **14 Years**

(21) Appl. No.: **29/271,444**

DESCRIPTION

(22) Filed: **Jan. 19, 2007**

This application is related to the following co-pending applications, of the inventor, filed on even date herewith:

(30) **Foreign Application Priority Data**

Jul. 21, 2006 (DE) 4 06 03 824

Application Ser. No. 29/271,454, entitled “Vehicle, Toy, and/or Other Replicas”; and

(51) **LOC (8) Cl.** **12-16**

Application Ser. No. 29/271,453, entitled “Vehicle, Toy, and/or Other Replicas”.

(52) **U.S. Cl.** **D12/187**

(58) **Field of Classification Search** D12/187–189;
359/838–851, 855–868, 871–881; 248/475.1,
248/476, 480–481, 485–487
See application file for complete search history.

FIG. 1 is a perspective view of a first embodiment of a side mirror for a vehicle according to my novel design;

FIG. 2 is a front view thereof;

FIG. 3 is a top view thereof;

FIG. 4 is a rear view thereof; and

FIG. 5 is a side view thereof.

(56) **References Cited**

U.S. PATENT DOCUMENTS

D445,386 S *	7/2001	Sacco et al.	D12/187
D463,342 S *	9/2002	Sinkwitz	D12/187
D478,853 S *	8/2003	Boyer	D12/187
D500,274 S *	12/2004	Pfeiffer	D12/187
D506,169 S *	6/2005	Pfeiffer et al.	D12/187
D508,003 S *	8/2005	Kushima et al.	D12/187
D511,127 S *	11/2005	Elmitt	D12/187
D514,489 S *	2/2006	Ng-See-Quan	D12/187

FIG. 6 is a perspective view of a second embodiment of the side mirror for a vehicle according to my novel design;

FIG. 7 is a front view thereof;

FIG. 8 is a top view thereof;

FIG. 9 is a rear view thereof; and,

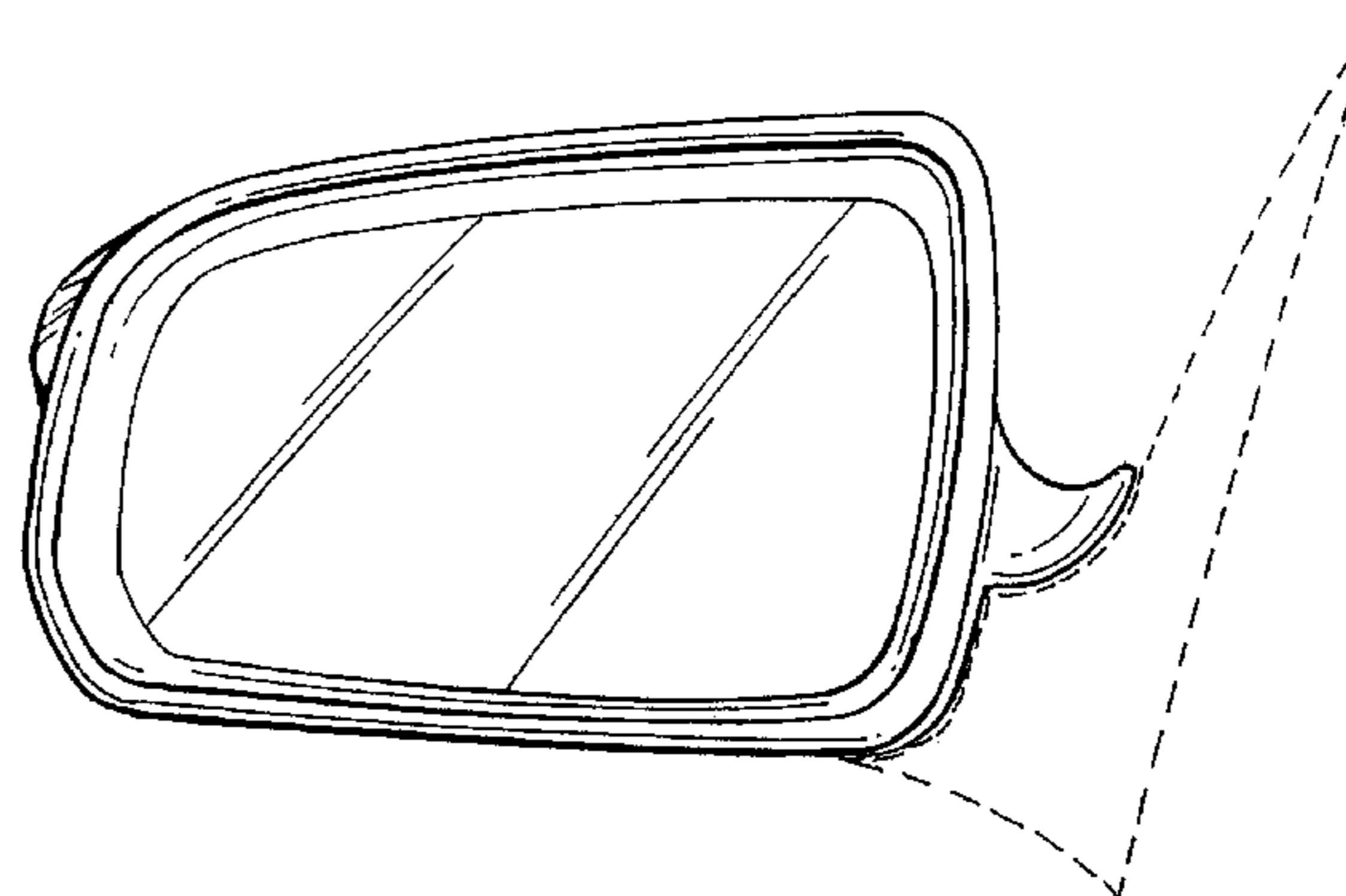
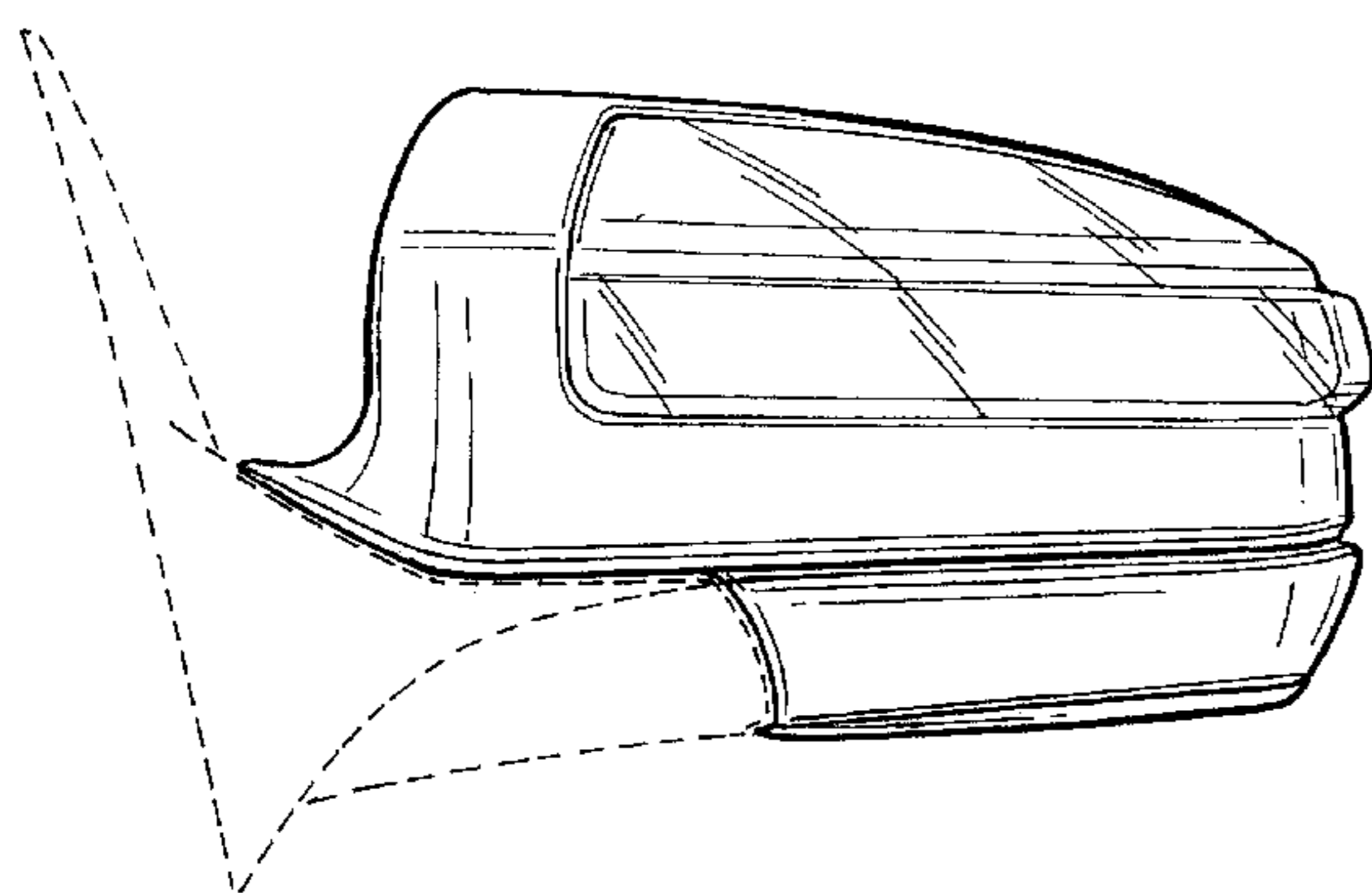
FIG. 10 is a side view thereof.

* cited by examiner

The broken lines are for illustrative purposes only and form no part of the claimed design.

Primary Examiner—Stacia Cadmus

1 Claim, 4 Drawing Sheets



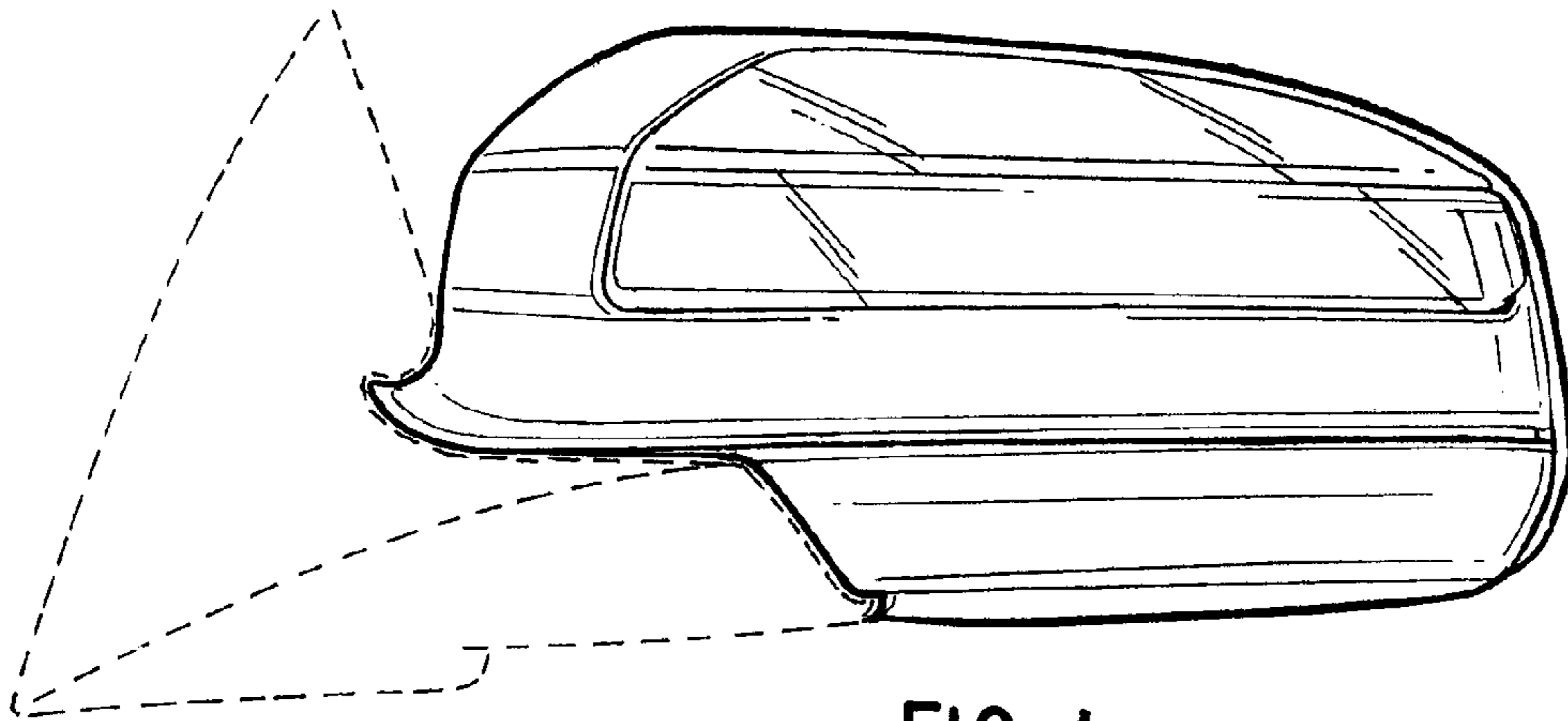


FIG. 1

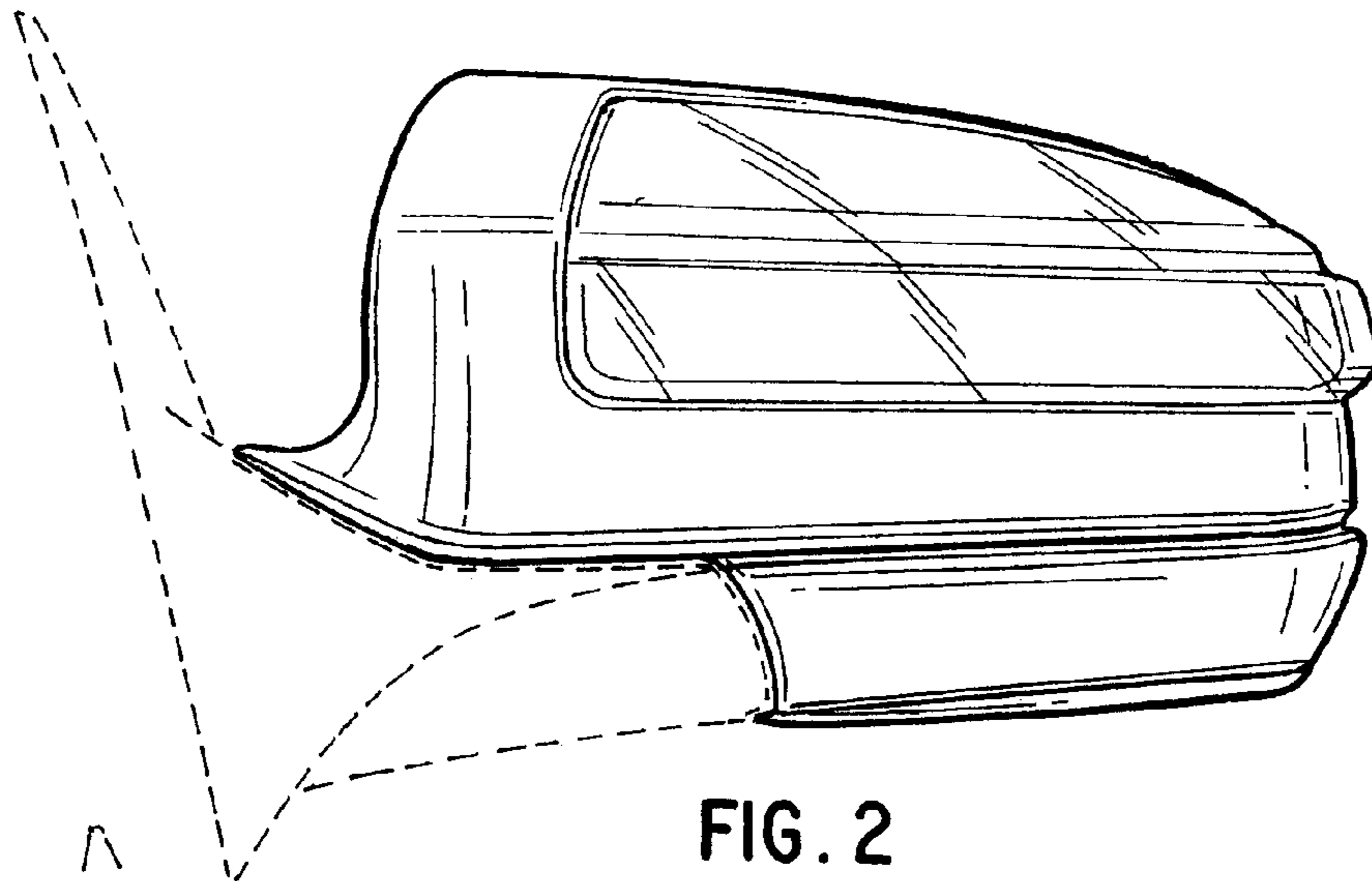


FIG. 2

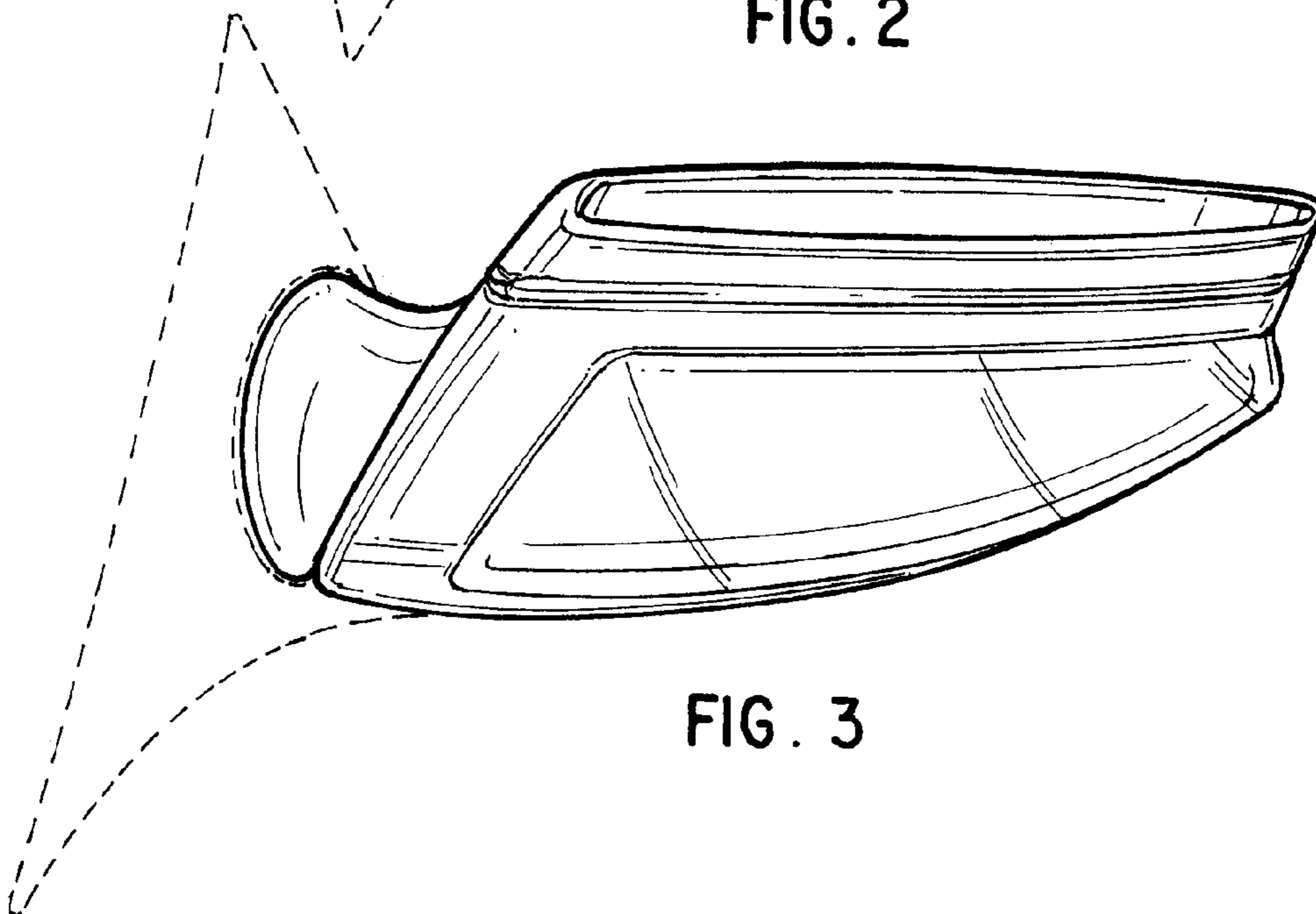


FIG. 3

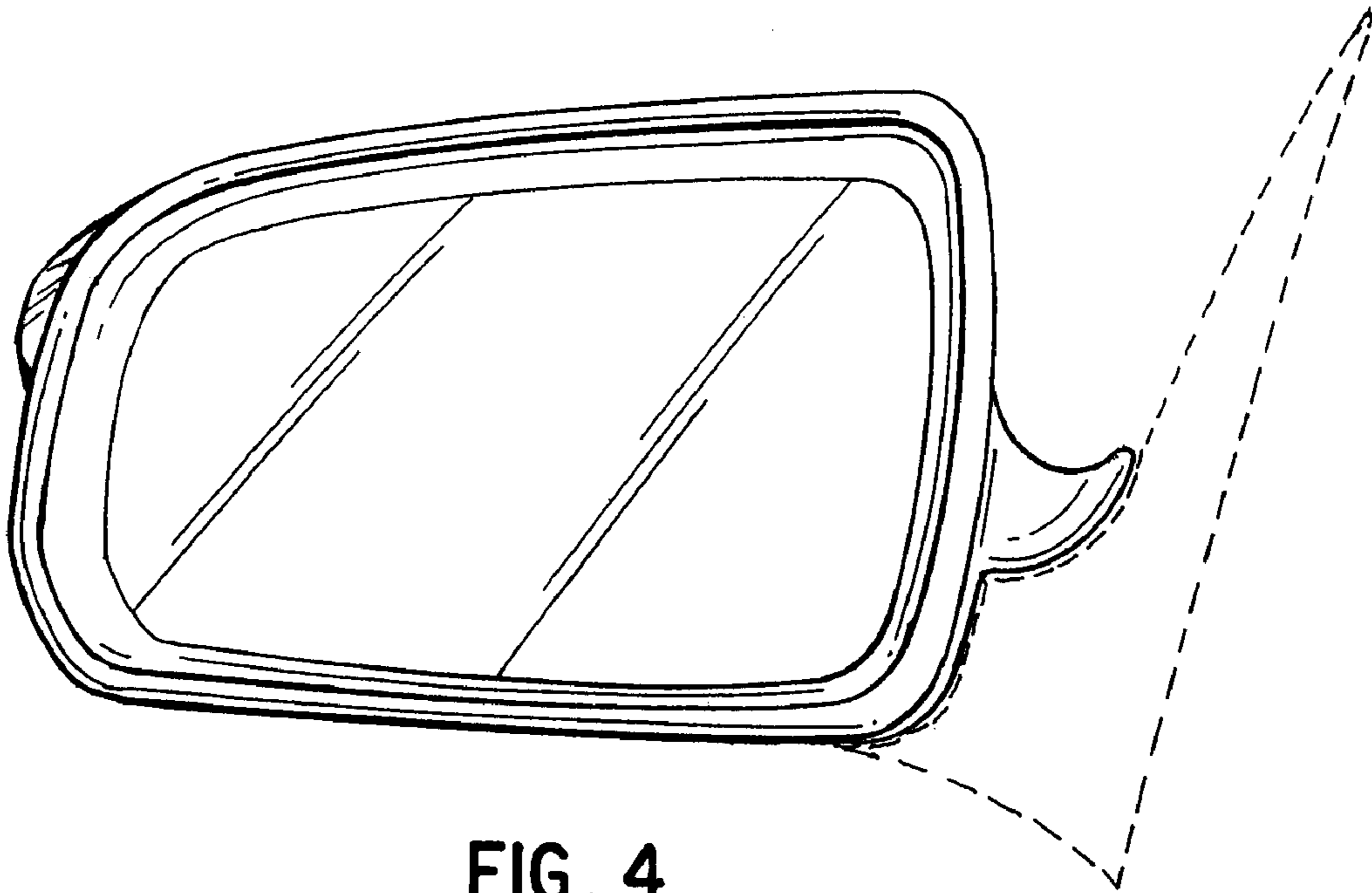


FIG. 4

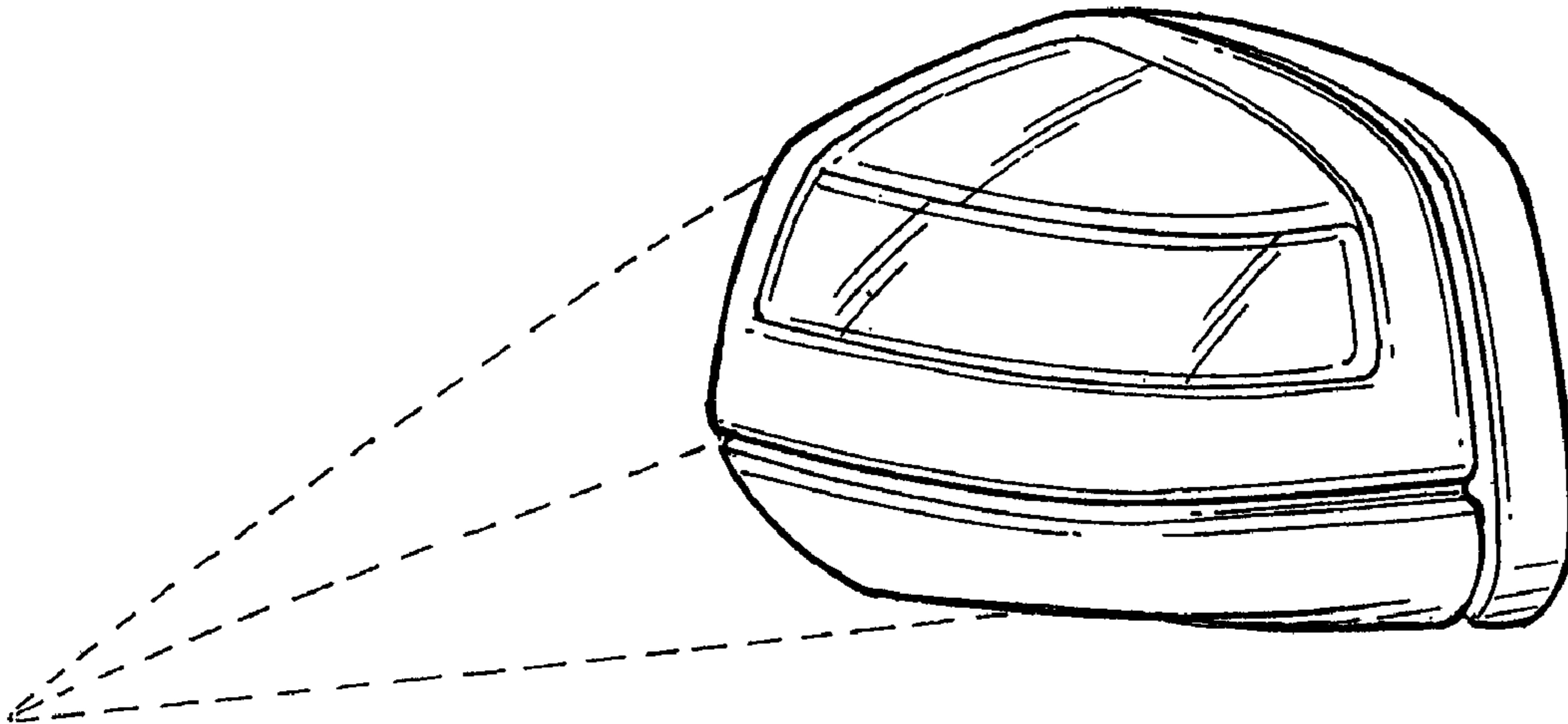


FIG. 5

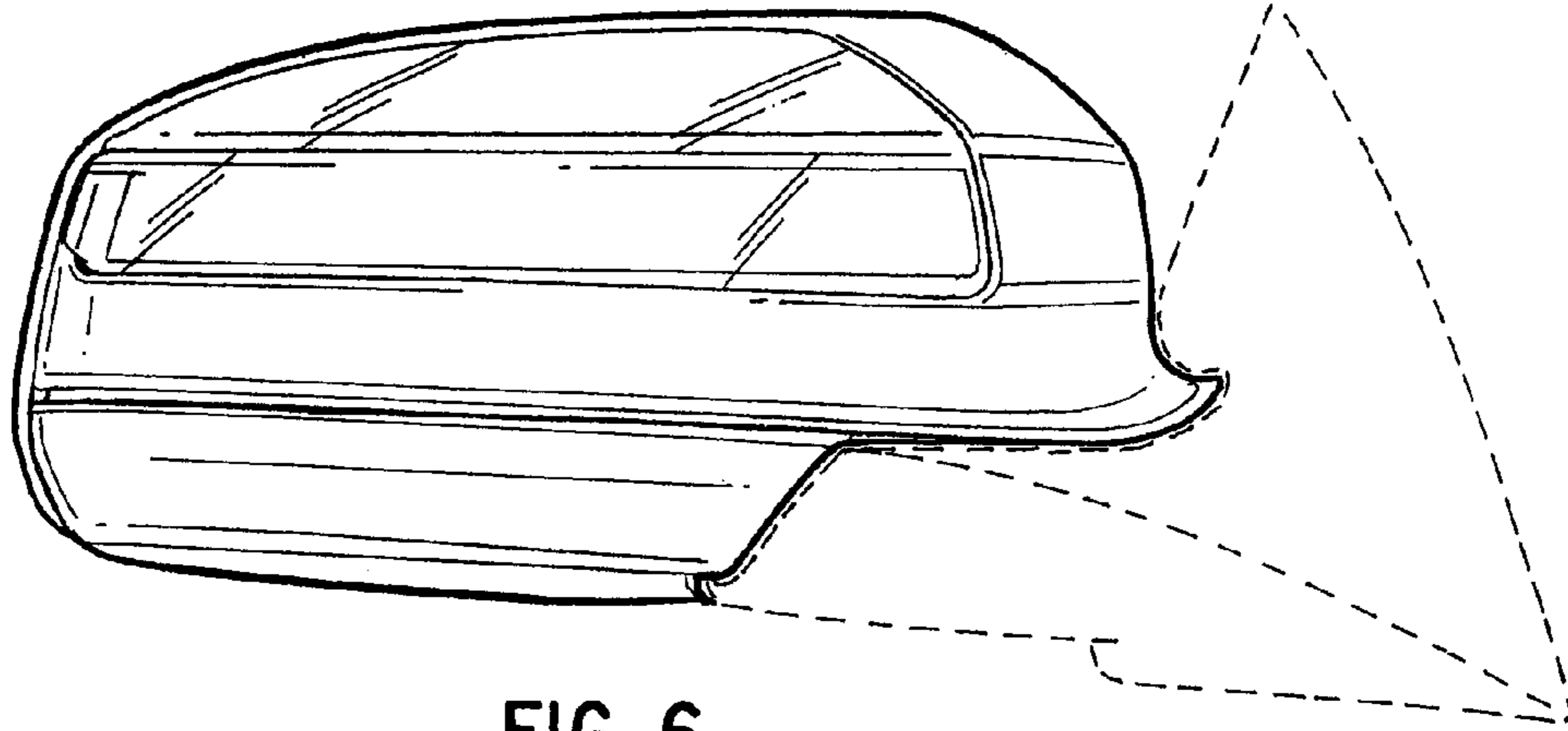


FIG. 6

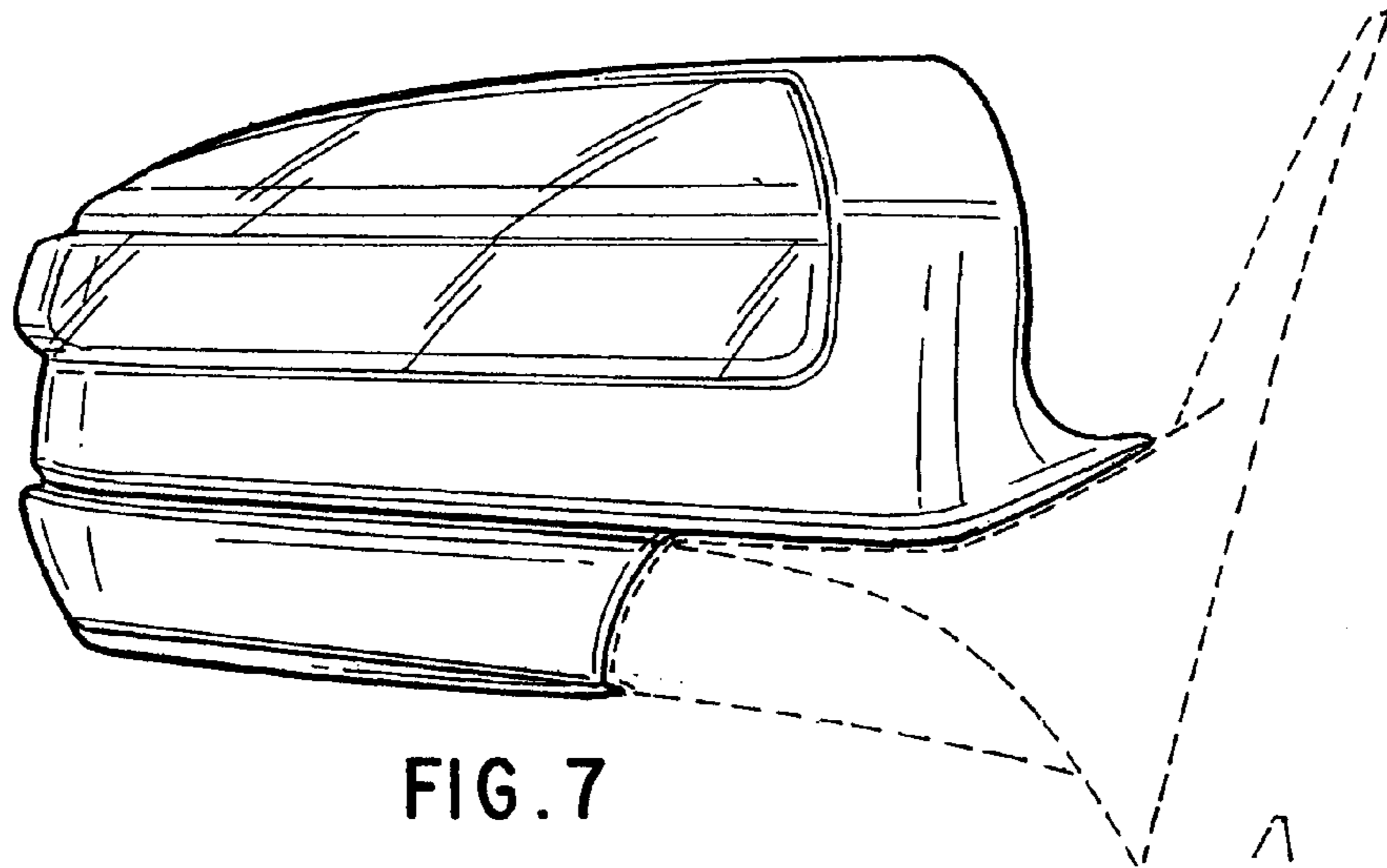


FIG. 7

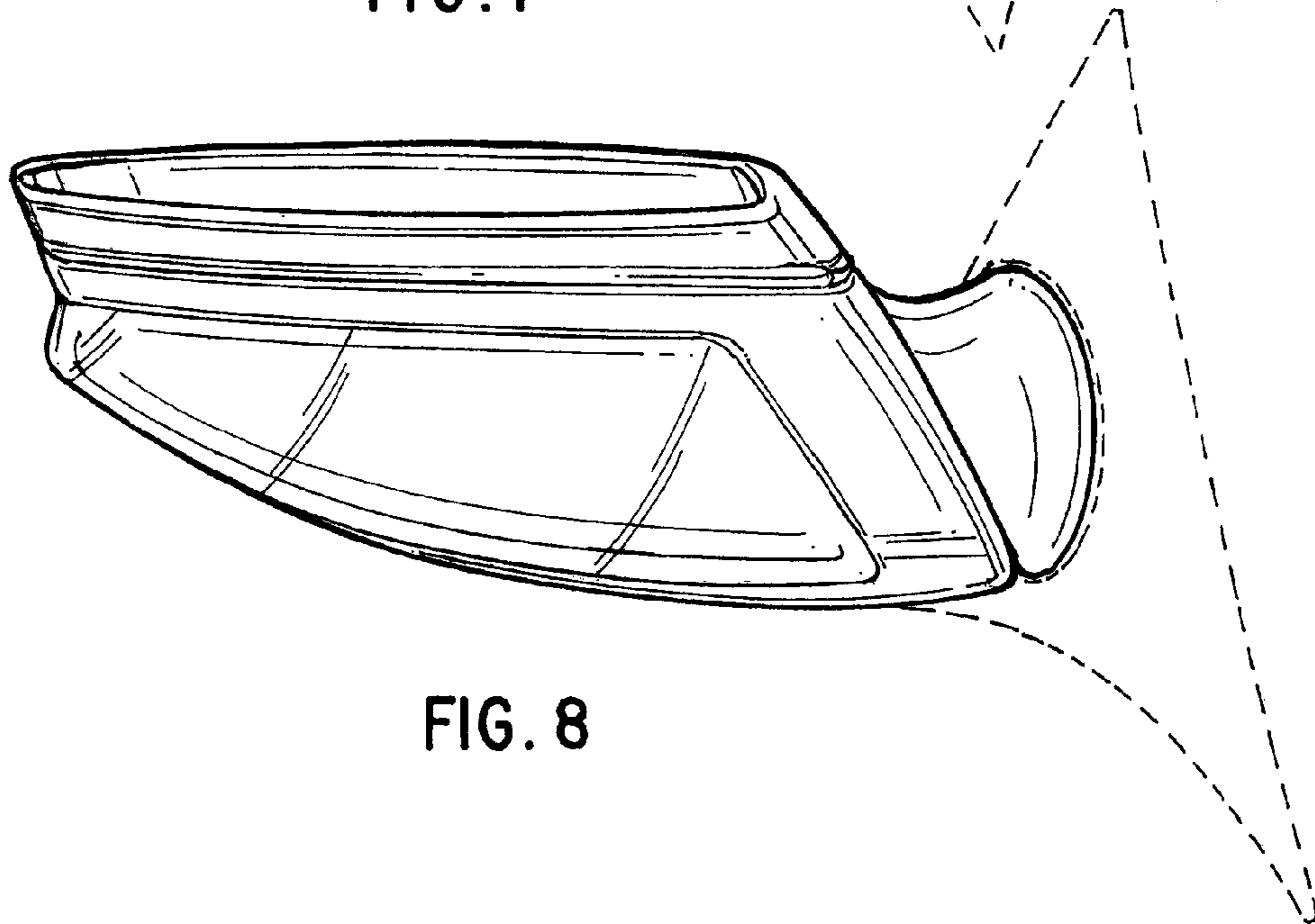


FIG. 8

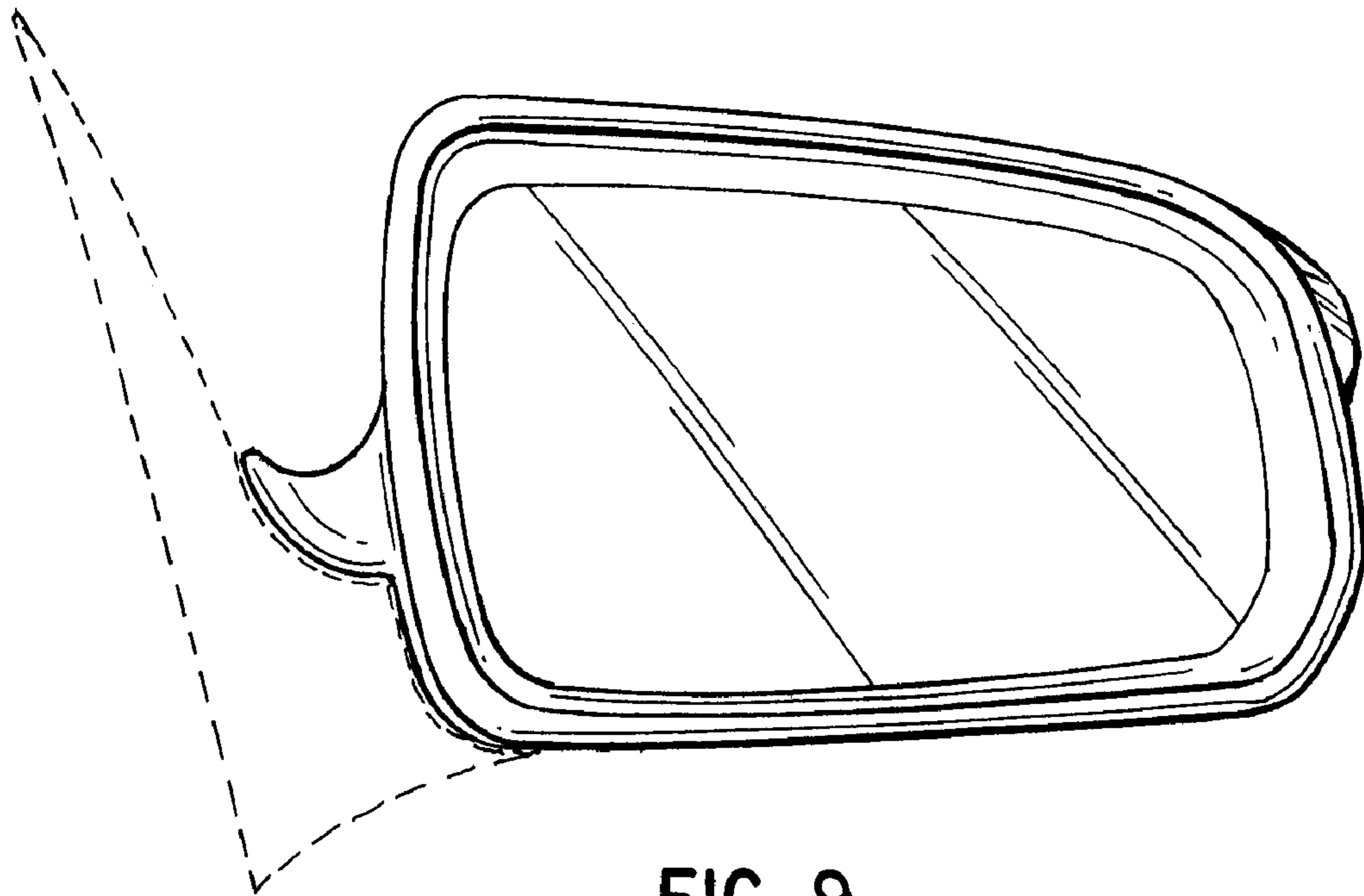


FIG. 9

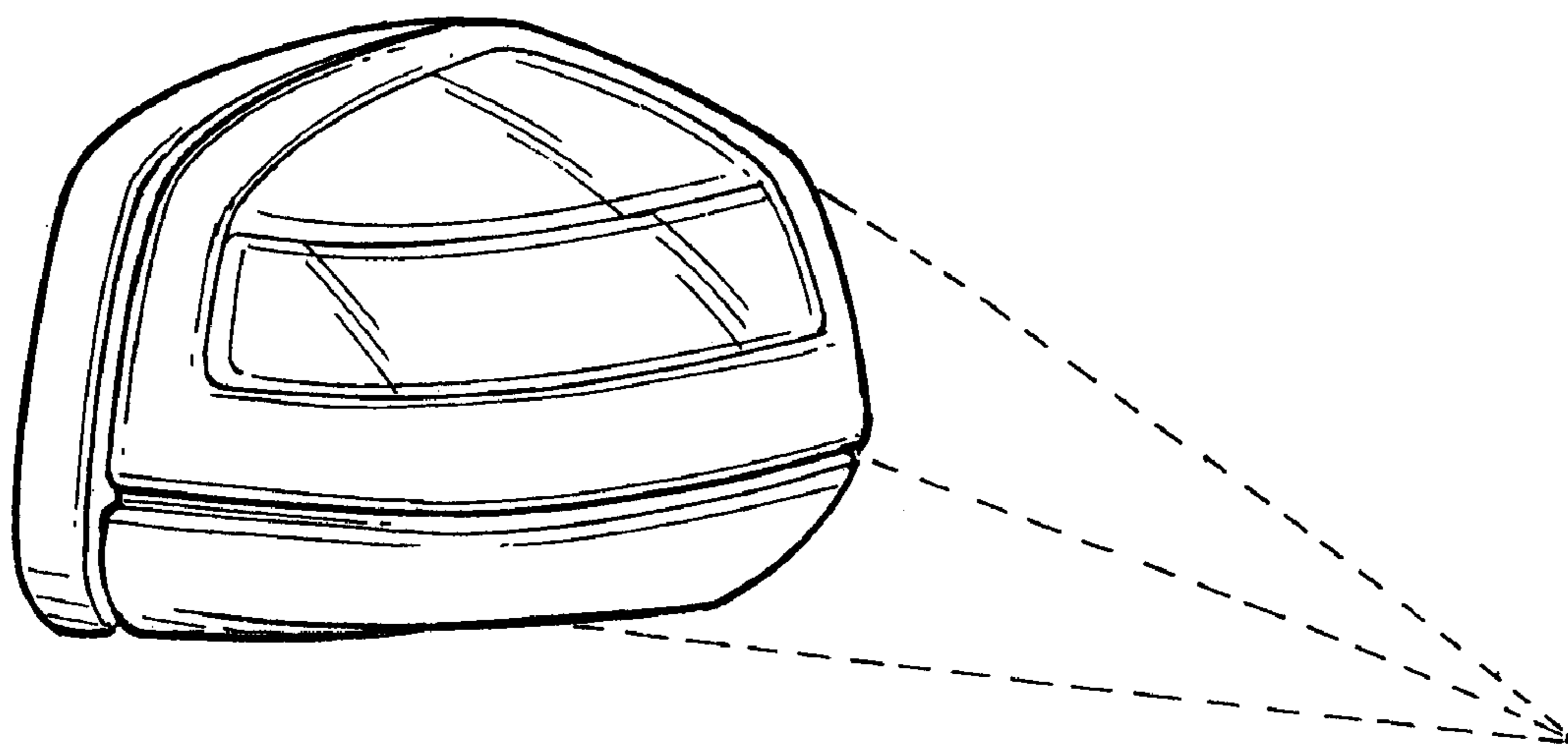


FIG. 10