

US00D549623S

(12) **United States Design Patent**
Gaddy

(10) **Patent No.:** **US D549,623 S**

(45) **Date of Patent:** **** Aug. 28, 2007**

(54) **HITCH STEP APPARATUS**

(76) **Inventor:** **Victor J. Gaddy**, 7436 Nations Ford Rd., Charlotte, NC (US) 28217

(**) **Term:** **14 Years**

(21) **Appl. No.:** **29/207,142**

(22) **Filed:** **Jun. 9, 2004**

(51) **LOC (8) Cl.** **12-16**

(52) **U.S. Cl.** **D12/162**

(58) **Field of Classification Search** D12/106,
D12/161, 162, 199, 400; 280/186, 402-405.1,
280/405.2, 407, 407.1, 416.2, 455.1, 491.5,
280/433, 434, 438 R; D25/62-69; D21/671;
182/1, 23, 26, 33.3, 33.4, 33.5, 54, 89, 90,
182/120, 132, 173

See application file for complete search history.

(56) **References Cited**

U.S. PATENT DOCUMENTS

3,357,719	A *	12/1967	McCrea	280/163
D264,697	S *	6/1982	Monteith	D34/35
D296,431	S *	6/1988	Yont	D12/203
D315,134	S *	3/1991	Springer	D12/203
D370,452	S *	6/1996	Beasley	D12/203
5,697,630	A *	12/1997	Thompson et al.	280/477
6,145,861	A *	11/2000	Willis	280/163
D439,559	S *	3/2001	Caro	D12/400
D440,931	S *	4/2001	Knight et al.	D12/203
D445,395	S *	7/2001	Okerlund et al.	D12/400
D448,335	S *	9/2001	Ehnes	D12/203
D463,345	S *	9/2002	Cipolla	D12/203
D484,076	S *	12/2003	O'Malley	D12/162
D494,117	S *	8/2004	Ruffin	D12/203
D511,319	S *	11/2005	Wang	D12/203
D513,217	S *	12/2005	Daws et al.	D12/203
6,979,015	B1 *	12/2005	Eberle	280/461.1
D518,421	S *	4/2006	Blankenship, Jr.	D12/162

OTHER PUBLICATIONS

http://web.archive.org/web/20030201144857/www.ssstractor.com/receiver_hitch_steps.html Jun. 28, 2006 (Additional enlarged view attached to first page).*

* cited by examiner

Primary Examiner—Doris Clark

Assistant Examiner—Michael Pratt

(74) *Attorney, Agent, or Firm*—Ralph H. Dougherty

(57) **CLAIM**

The ornamental design for a hitch step apparatus, as shown and described.

DESCRIPTION

FIG. 1 is a perspective view of a first embodiment of the invented hitch step apparatus, or the like, showing the new design;

FIG. 2 is a plan view thereof;

FIG. 3 is a left end elevational view thereof;

FIG. 4 is a side view thereof, the opposite side being a mirror image thereof;

FIG. 5 is a right end elevational view thereof;

FIG. 6 is a bottom view thereof; and,

FIG. 7 is a side view of an alternative embodiment of the hitch step of FIG. 1, the opposite side view being a mirror image, and the top, left end, right end, and bottom views being the same as FIGS. 2, 3, 5, and 6 respectively.

The tread pattern on the hitch step is to indicate only that a pattern is incorporated into the step, but such pattern forms no part of the invented design.

Material shown in dotted lines shows the environment in which the invented design is used, and forms no part of the invented design.

1 Claim, 3 Drawing Sheets

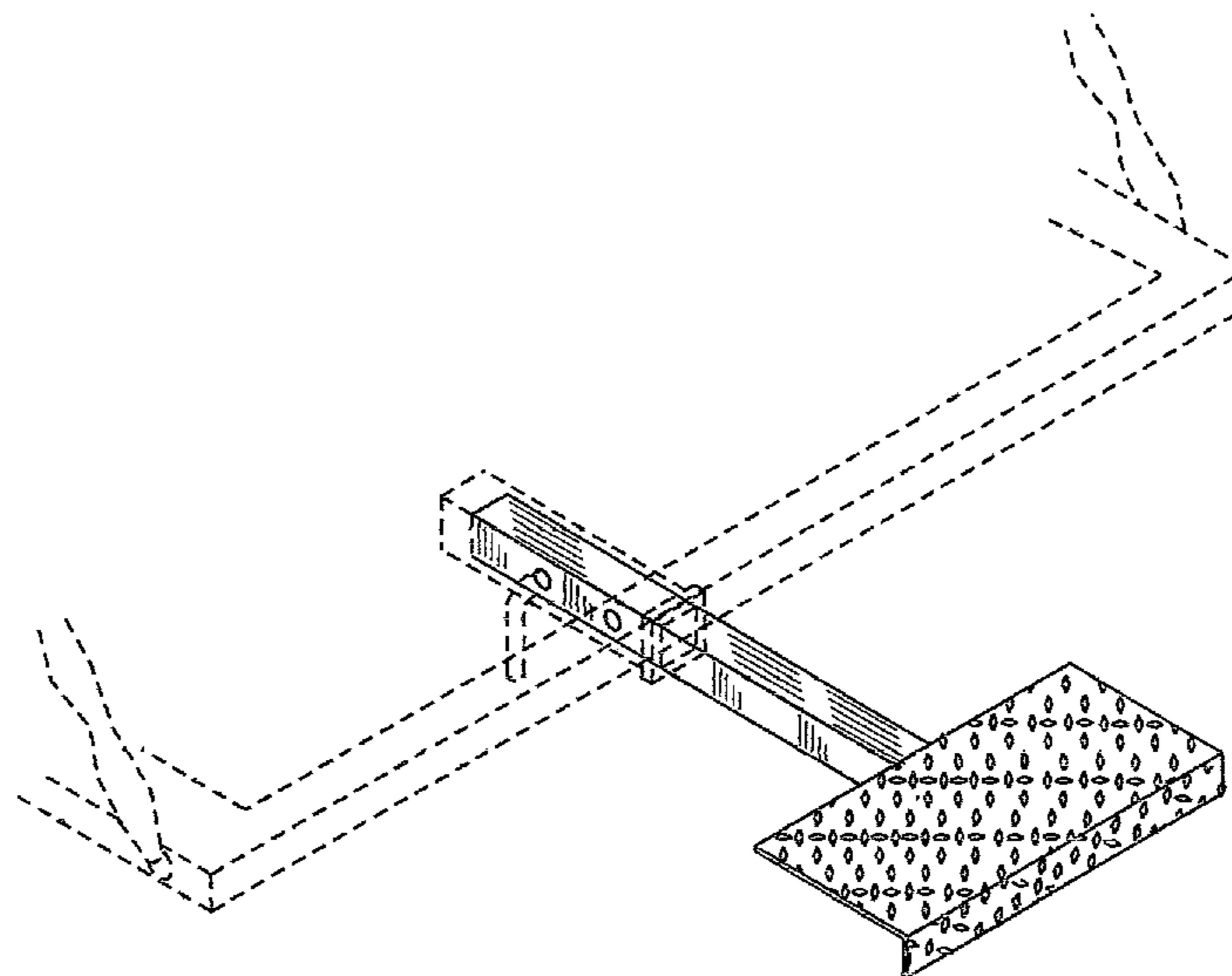


Fig. 1

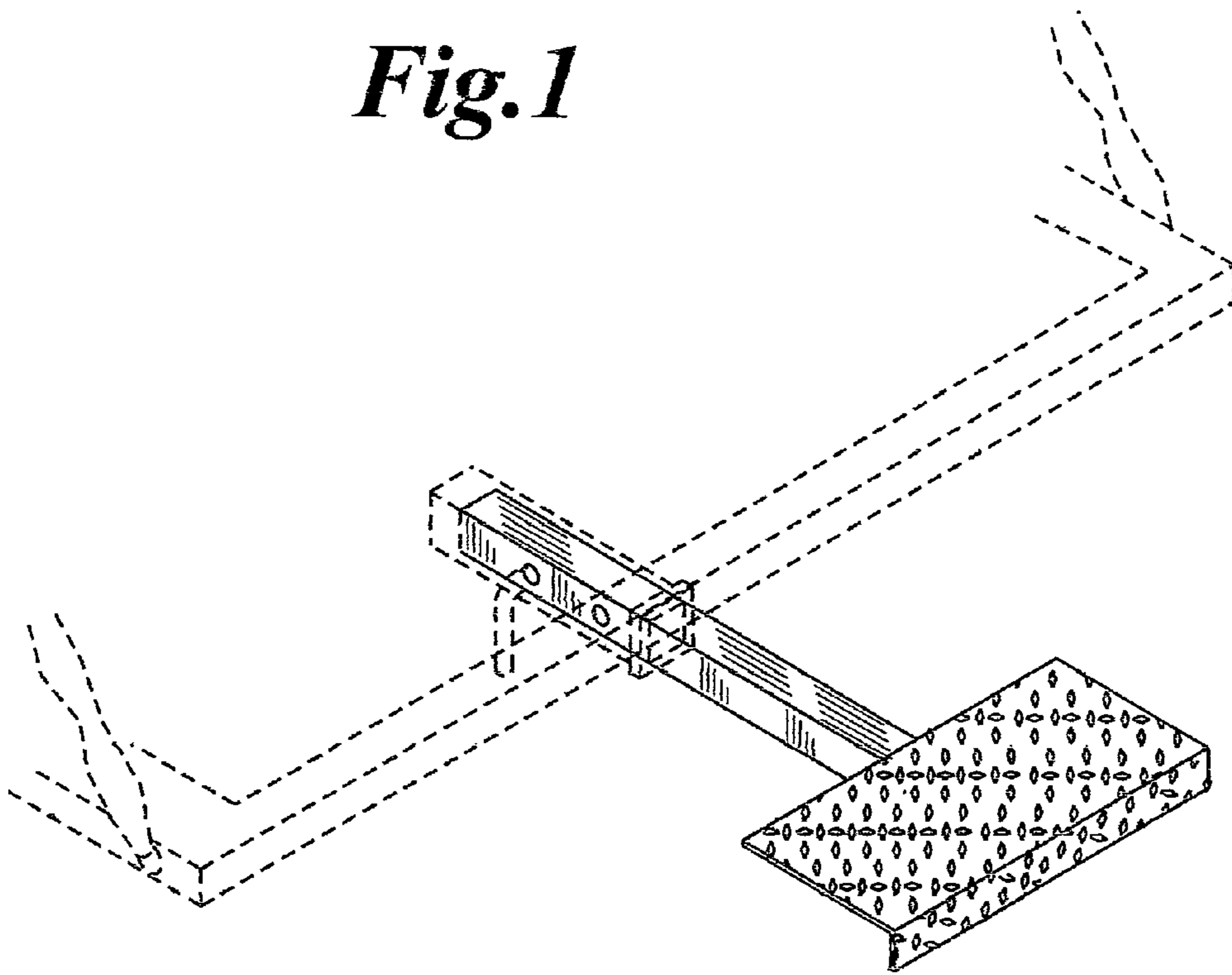


Fig. 2

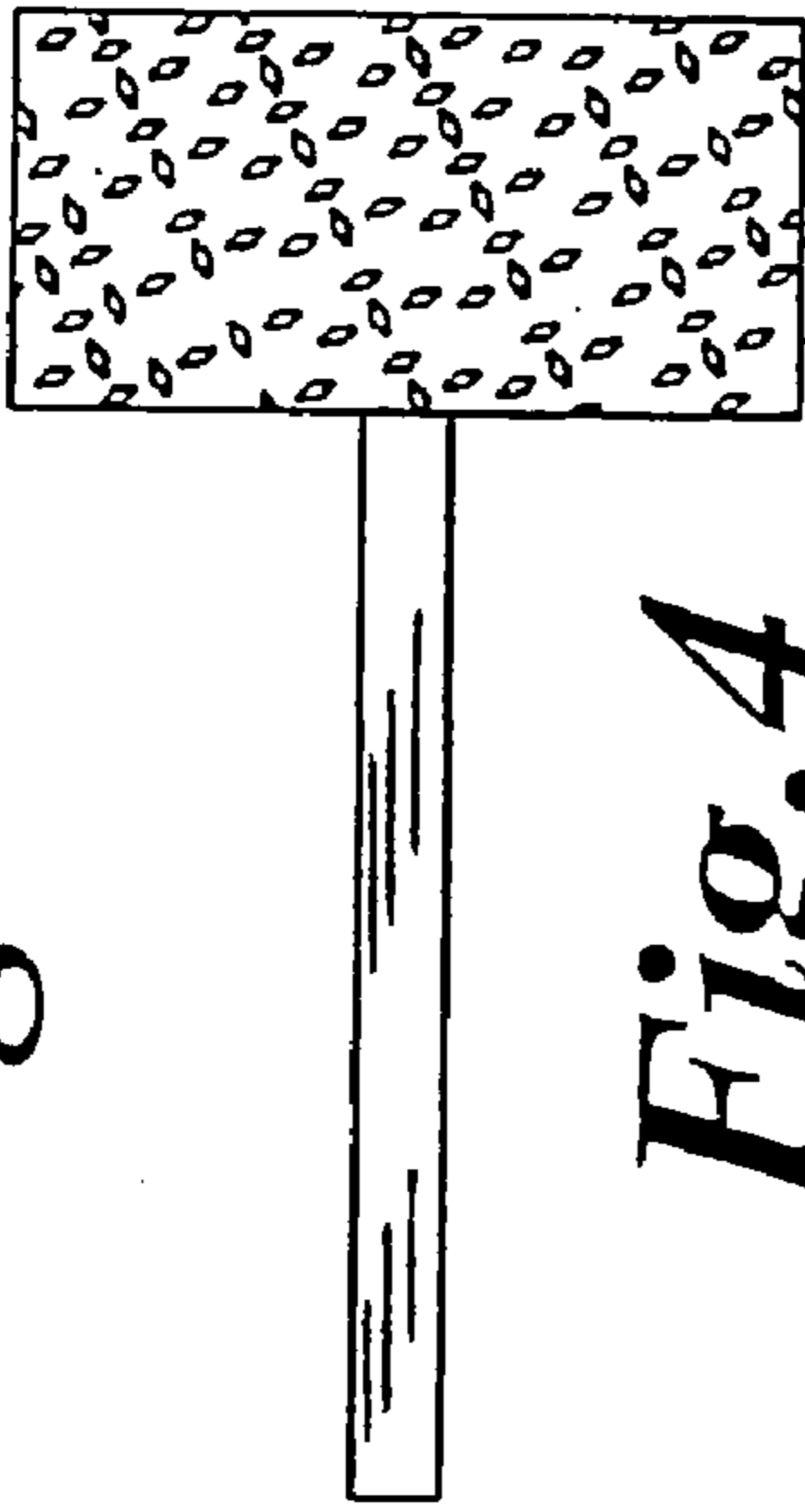


Fig. 4



Fig. 5



Fig. 3



Fig. 6

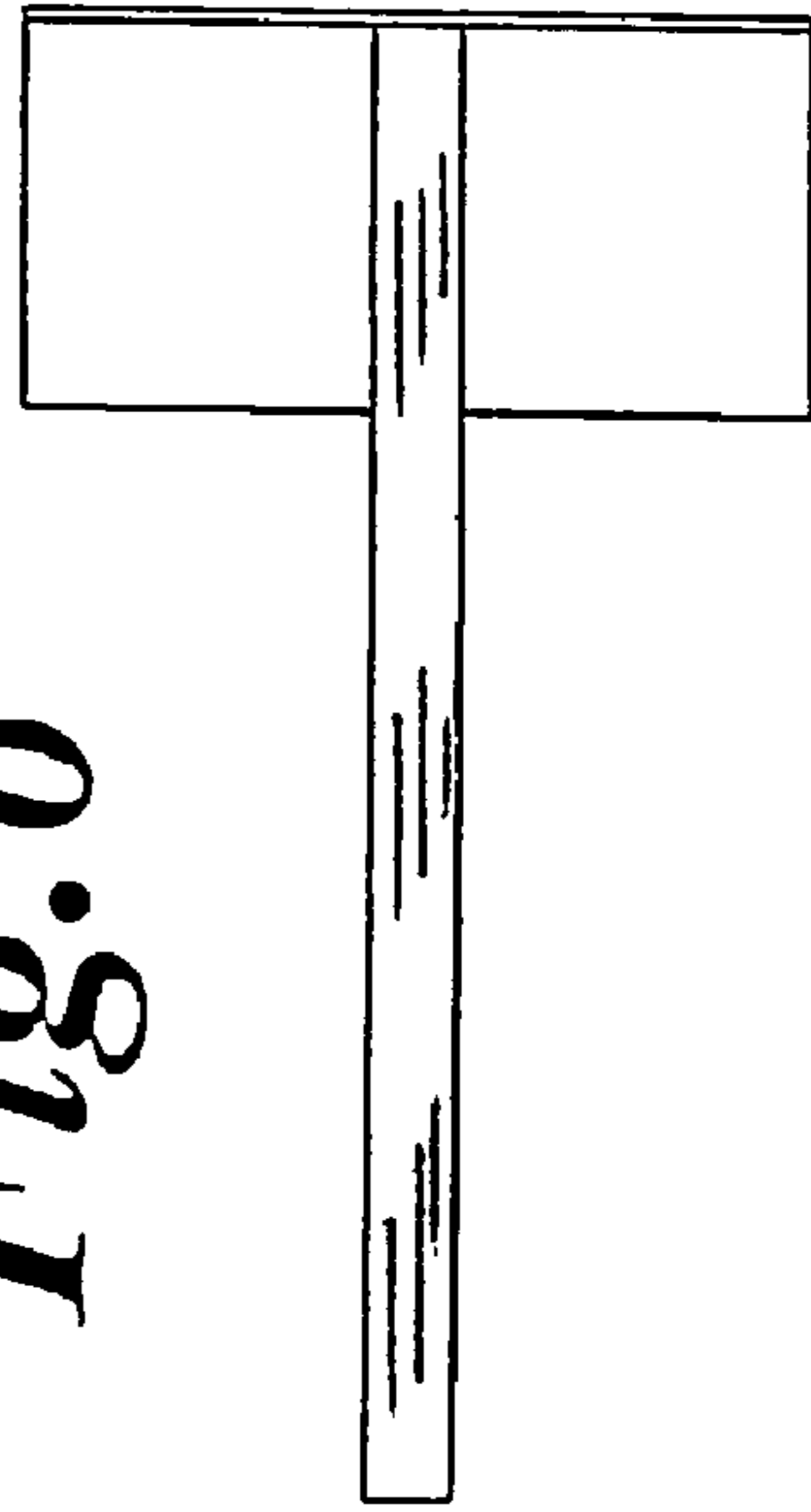




Fig. 7