



US00D549621S

(12) **United States Design Patent**  
**Madden**

(10) **Patent No.:** **US D549,621 S**

(45) **Date of Patent:** **\*\* Aug. 28, 2007**

(54) **MOTORCYCLE SHAFT DRIVE COVER**

(75) Inventor: **Kenneth Edward Madden**, Andover, MN (US)

(73) Assignee: **Kuryakyn Holdings, Inc.**, Somerset, WI (US)

(\*\*) Term: **14 Years**

(21) Appl. No.: **29/255,551**

(22) Filed: **Mar. 9, 2006**

(51) **LOC (8) Cl.** ..... **12-11**

(52) **U.S. Cl.** ..... **D12/126**

(58) **Field of Classification Search** ..... D12/110, D12/114, 126; 180/219, 226, 227, 229, 230; 464/170, 177, 180; 123/195 C, 198 E; 474/144-147  
See application file for complete search history.

(56) **References Cited**

**U.S. PATENT DOCUMENTS**

5,918,695 A \* 7/1999 Matsuura et al. .... 180/226

**OTHER PUBLICATIONS**

Tucker Rocky 2001 catalog, Drive Shaft Covers and Drive Shaft Bolt Cover on p. 391.\*

Honda VTX 1300/1800 Drive Shaft Cover by Highway Hawk, © 2004. [Retrieved on Mar. 2, 2007]. Retrieved from the Internet <URL: [http://www.nopork.com/shop\\_product.asp?id=H431-118](http://www.nopork.com/shop_product.asp?id=H431-118)>.\*

\* cited by examiner

*Primary Examiner*—Alan P. Douglas

*Assistant Examiner*—Linda Brooks

(74) *Attorney, Agent, or Firm*—Dicke, Billig & Czaja, PLLC

(57) **CLAIM**

The ornamental design for a motorcycle shaft drive cover, as shown and described.

**DESCRIPTION**

FIG. 1 is a top perspective view of a motorcycle shaft drive cover of the present invention.

FIG. 2 is a top plan view of the motorcycle shaft drive cover of FIG. 1.

FIG. 3 is a bottom plan view of the motorcycle shaft drive cover of FIG. 1.

FIG. 4 is an elevational view of a first end of the motorcycle shaft drive cover of FIG. 1.

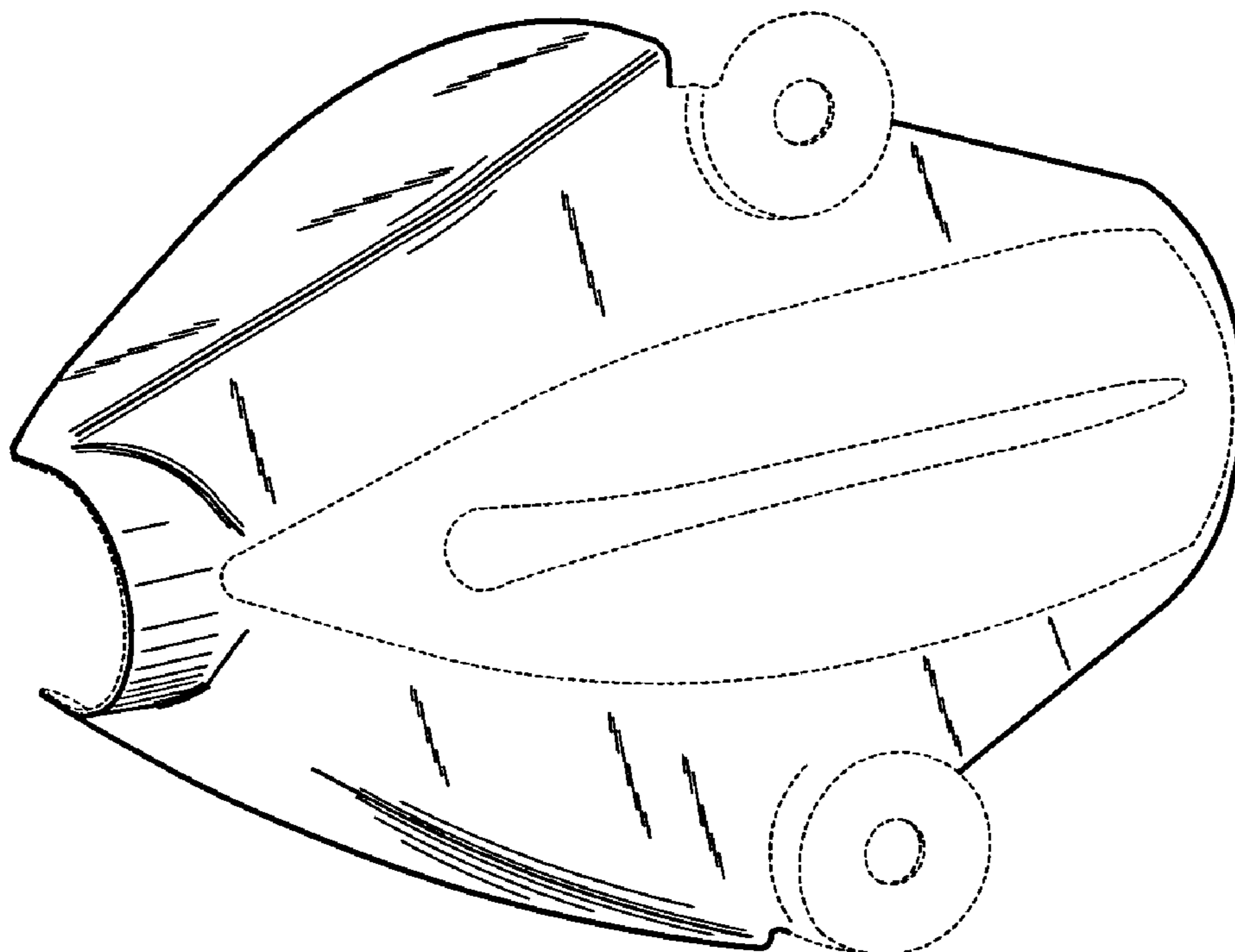
FIG. 5 is an elevational view of a second end of the motorcycle shaft drive cover of FIG. 1.

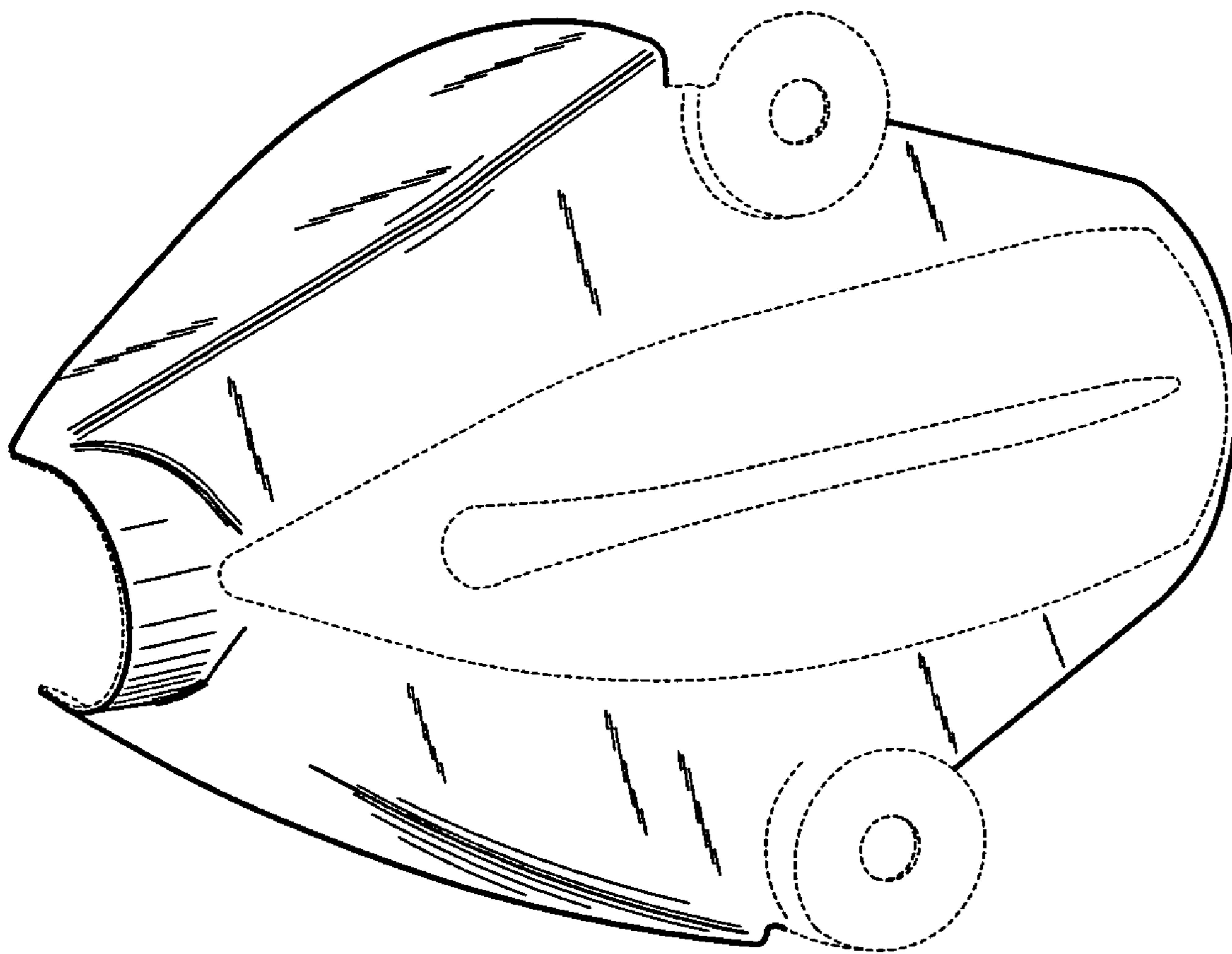
FIG. 6 is an elevational view of a first side of the motorcycle shaft drive cover of FIG. 1; and,

FIG. 7 is an elevational view of a second side of the motorcycle shaft drive cover of FIG. 1.

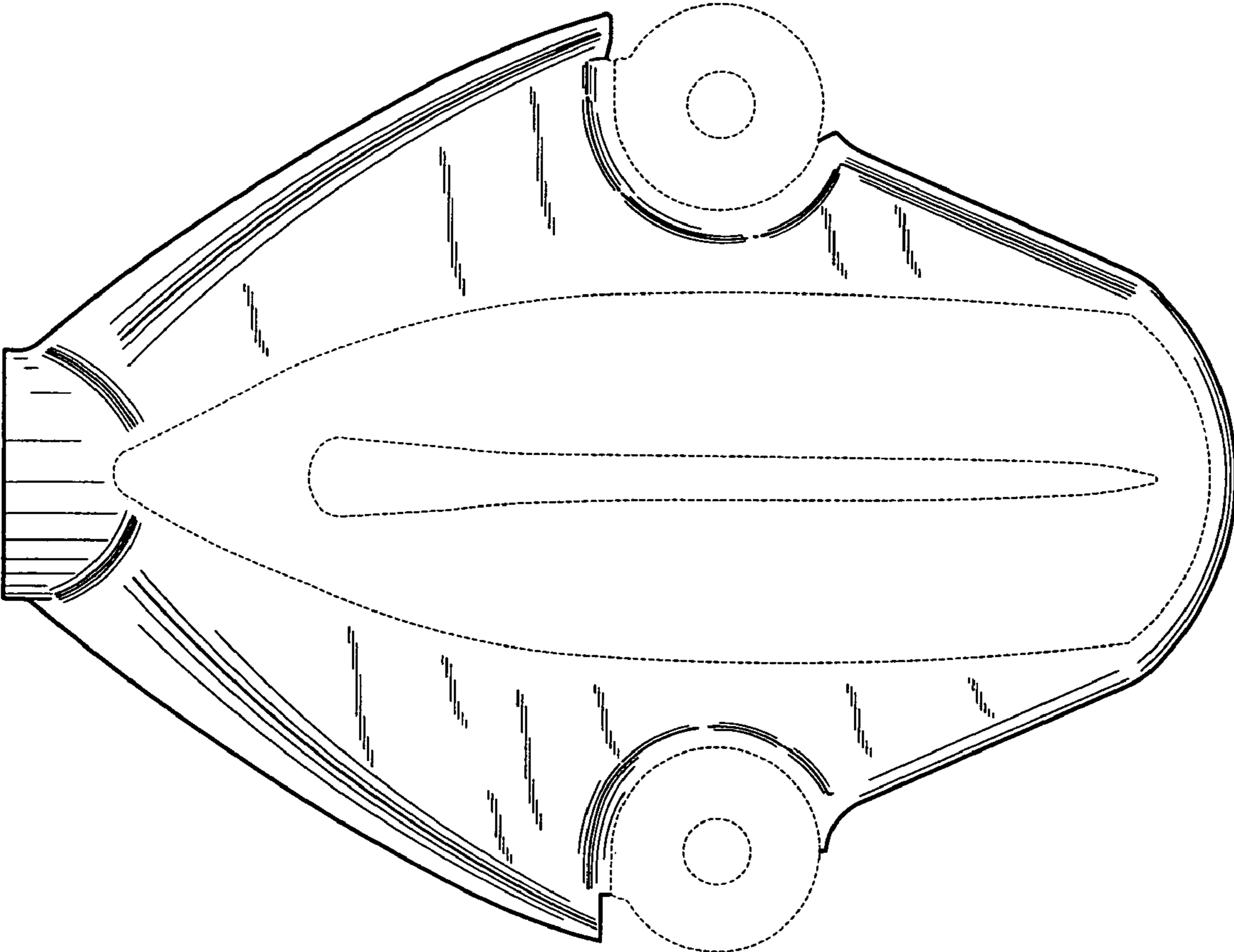
Those portions of the cover shown in broken lines are included for illustrative purposes only and form no part of the claimed design.

**1 Claim, 7 Drawing Sheets**

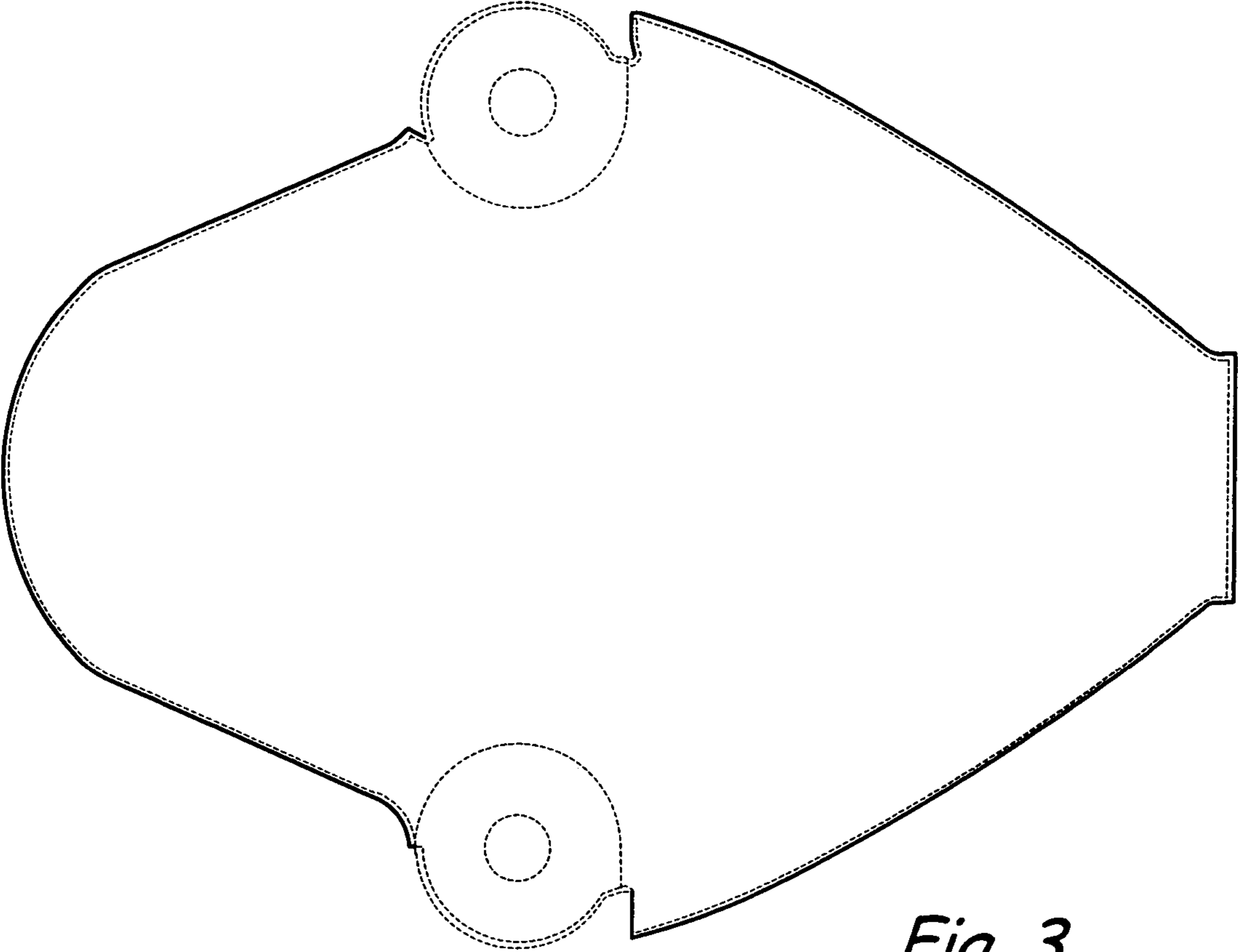




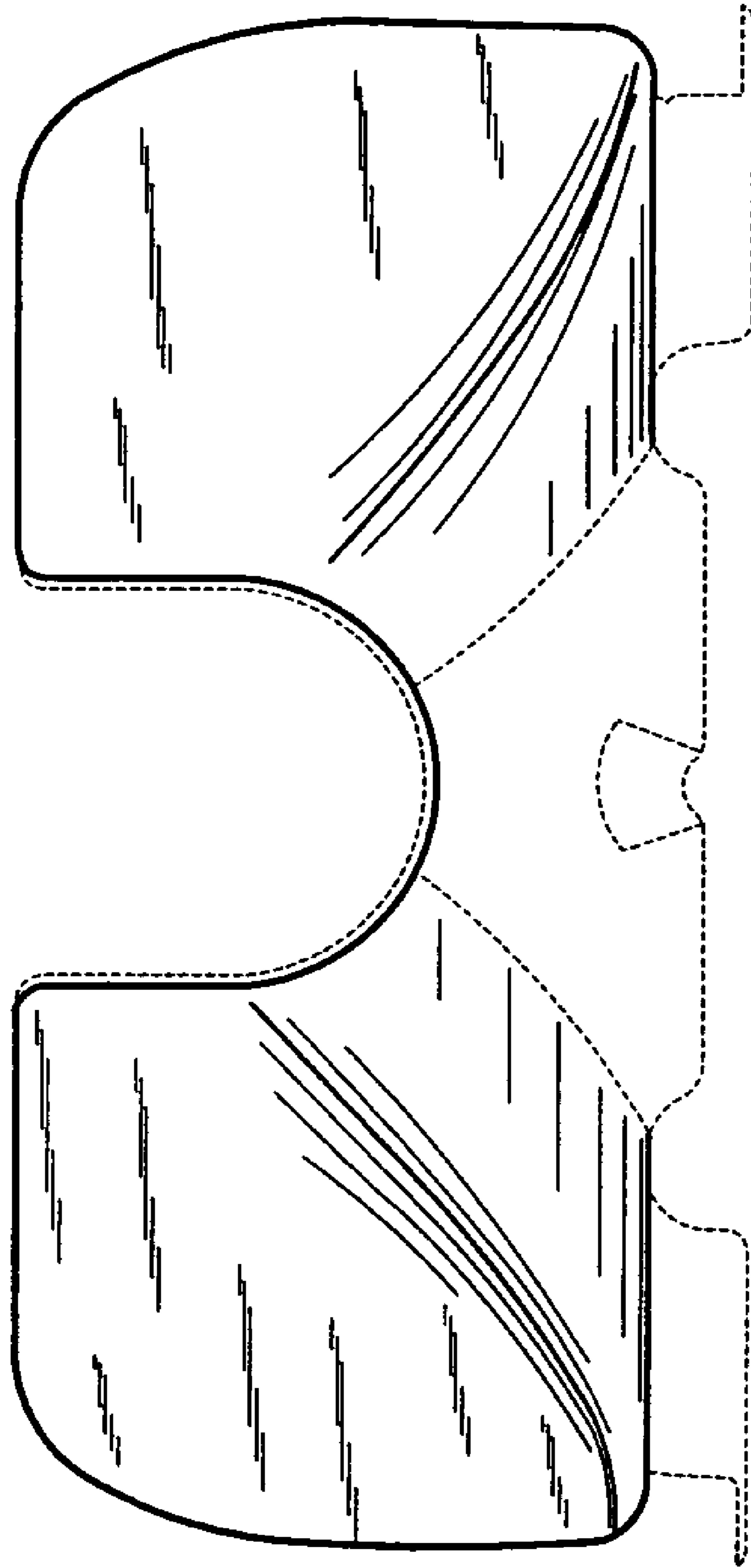
*Fig. 1*



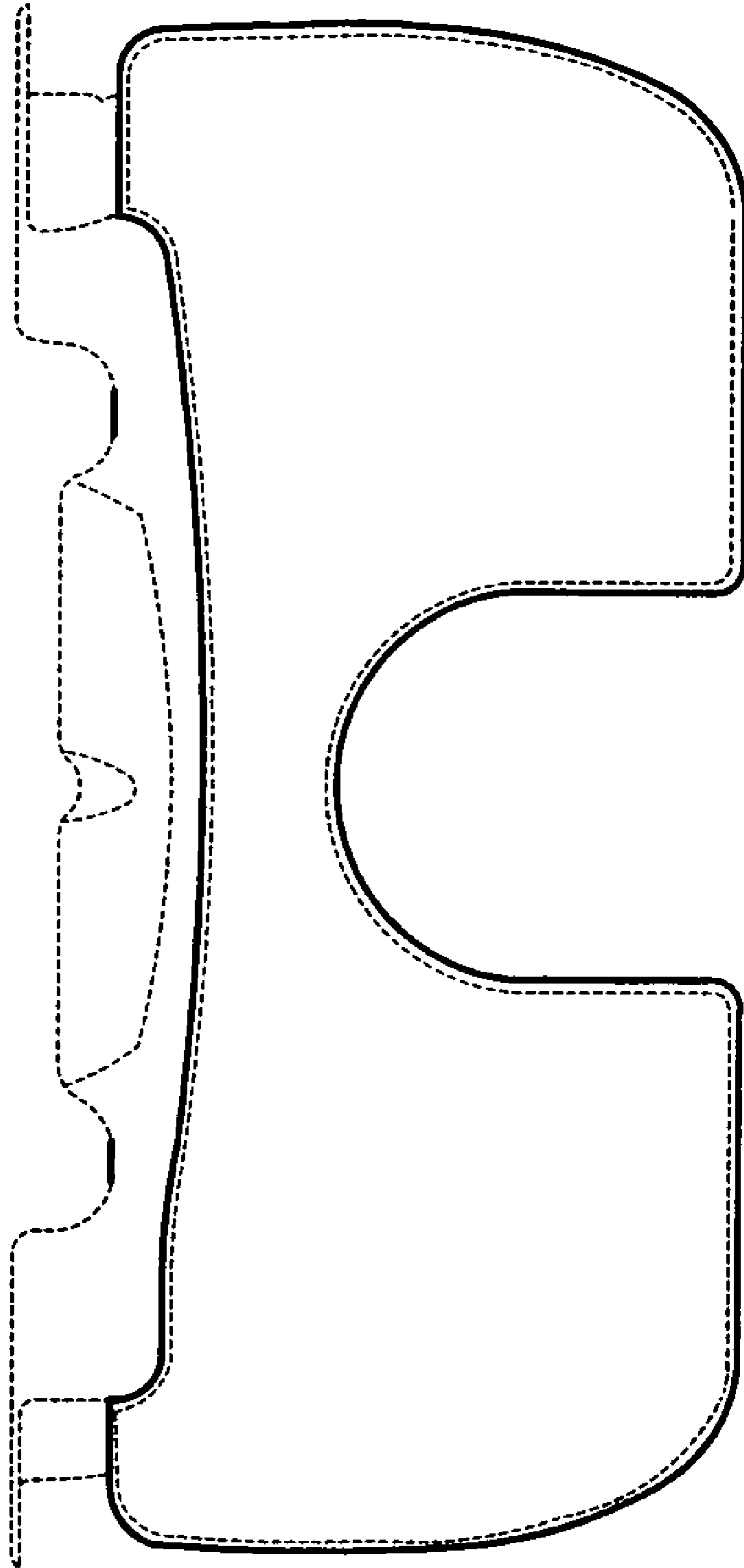
*Fig. 2*



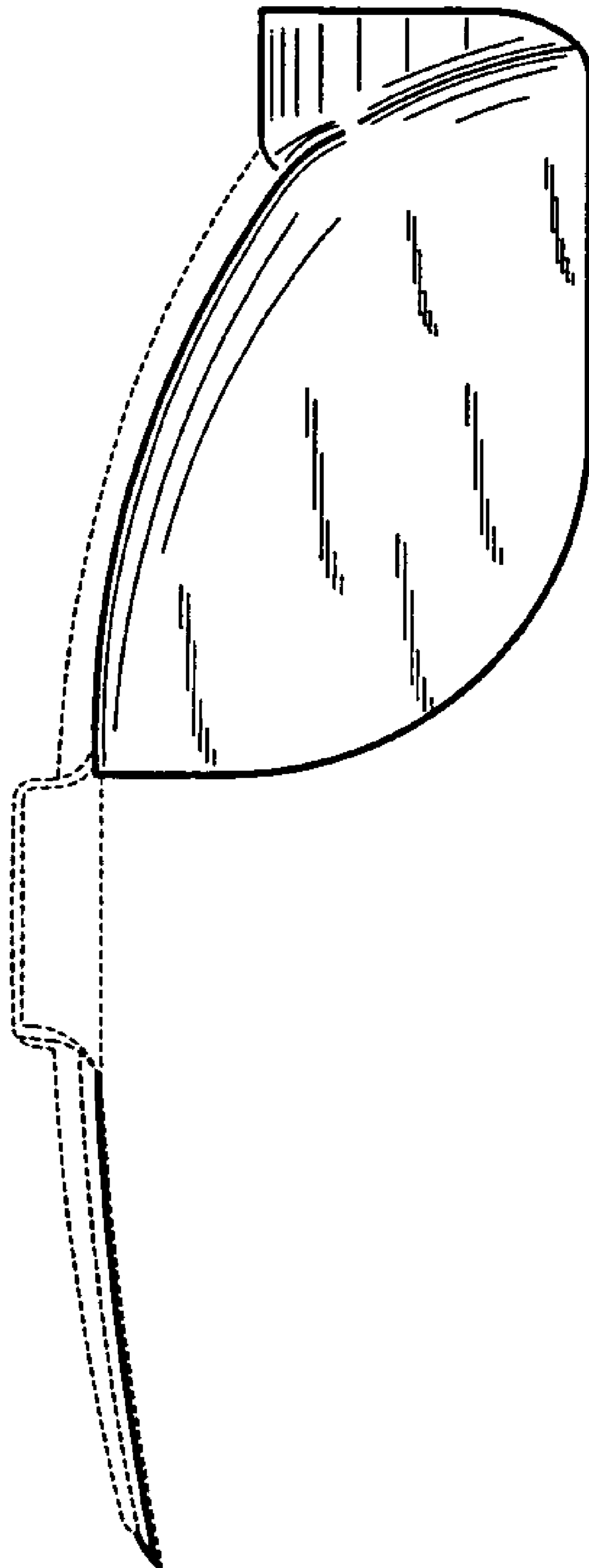
*Fig. 3*



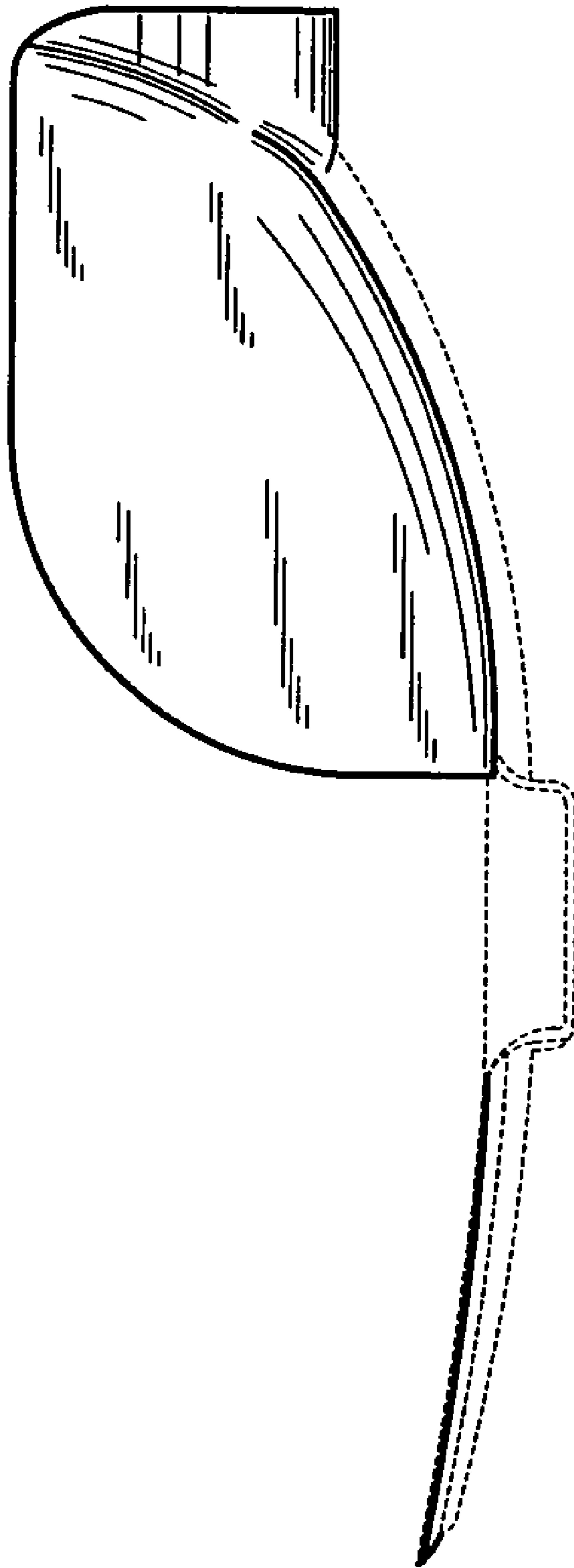
*Fig. 4*



*Fig. 5*



*Fig. 6*



*Fig. 7*