

US00D549617S

(12) **United States Design Patent**  
**Robb**

(10) **Patent No.:** **US D549,617 S**

(45) **Date of Patent:** **\*\* Aug. 28, 2007**

(54) **SURFACE CONFIGURATION OF A  
MOTORCYCLE, TOY, AND/OR OTHER  
REPLICAS**

FOREIGN PATENT DOCUMENTS

JP 1064067 3/2000

\* cited by examiner

*Primary Examiner*—Alan P. Douglas

*Assistant Examiner*—Linda Brooks

(74) *Attorney, Agent, or Firm*—Crowell & Moring LLP

(75) **Inventor:** **David Irwin Robb**, Munich (DE)

(73) **Assignee:** **Bayerische Motoren Werke  
Aktiengesellschaft**, Munich (DE)

(\*\*) **Term:** **14 Years**

(21) **Appl. No.:** **29/244,813**

(22) **Filed:** **Dec. 15, 2005**

(30) **Foreign Application Priority Data**

Jun. 16, 2005 (DE) ..... 4 05 03 085

(51) **LOC (8) Cl.** ..... **12-11**

(52) **U.S. Cl.** ..... **D12/110**

(58) **Field of Classification Search** ..... D12/110;  
180/219, 220, 225, 229; D21/432, 538; 446/440;  
280/827, 828

See application file for complete search history.

(56) **References Cited**

U.S. PATENT DOCUMENTS

D422,244 S 4/2000 Heinrich et al.  
D519,883 S \* 5/2006 Robb ..... D12/110

(57) **CLAIM**

The ornamental design for a surface configuration of a motorcycle, toy, and/or other replicas, as shown and described.

**DESCRIPTION**

FIG. 1 is a front, left perspective view of a surface configuration of a motorcycle, toy, and/or other replicas according to my novel design;

FIG. 2 is a front, right perspective view thereof;

FIG. 3 is a rear, left perspective view thereof;

FIG. 4 is a rear, right perspective view thereof;

FIG. 5 is a left side view thereof;

FIG. 6 is a right side view thereof;

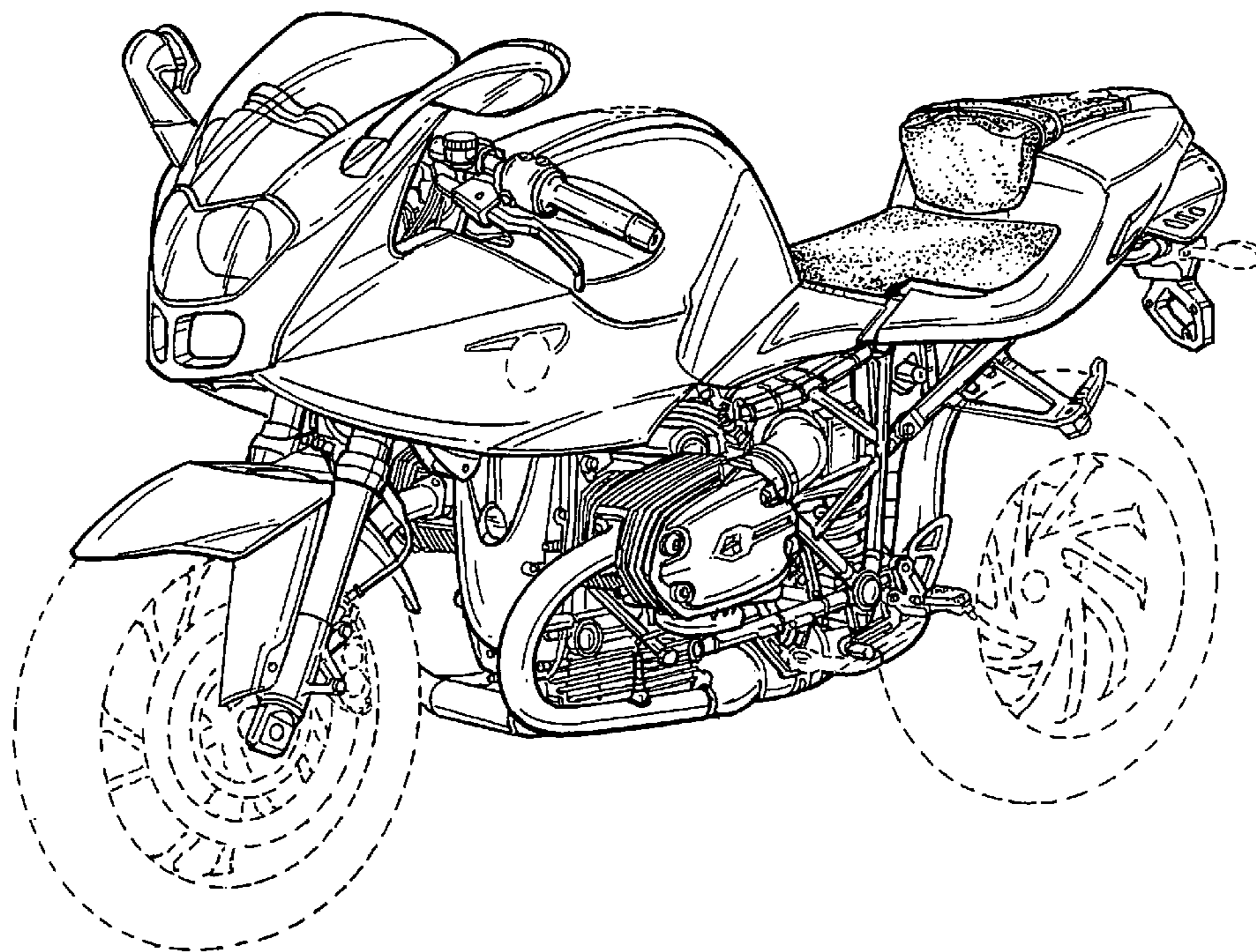
FIG. 7 is a front view thereof;

FIG. 8 is a rear view thereof; and,

FIG. 9 is a top view thereof.

The broken lines are for illustrative purposes only and form no part of the claimed design.

**1 Claim, 8 Drawing Sheets**



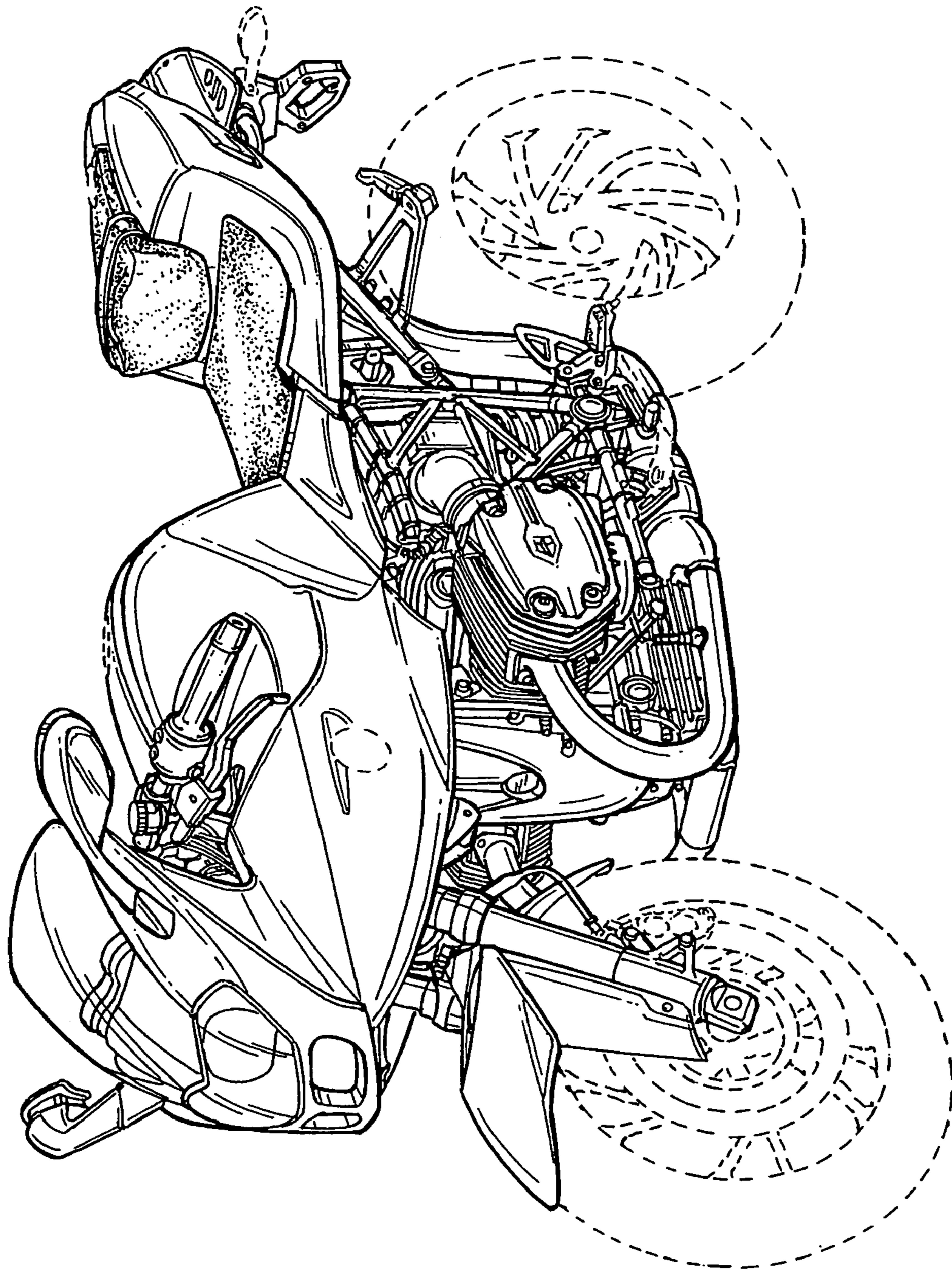


FIG. 1

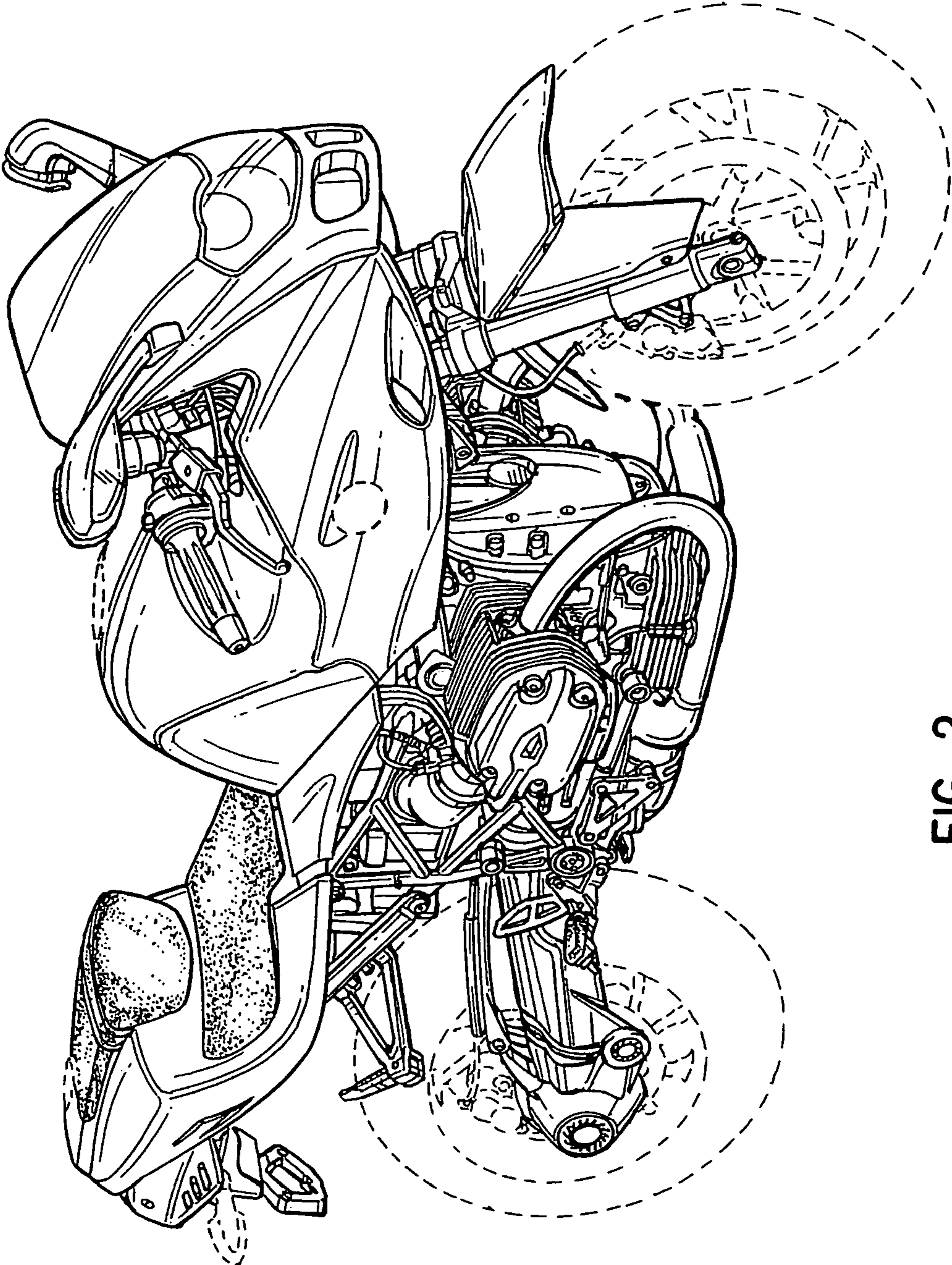


FIG. 2

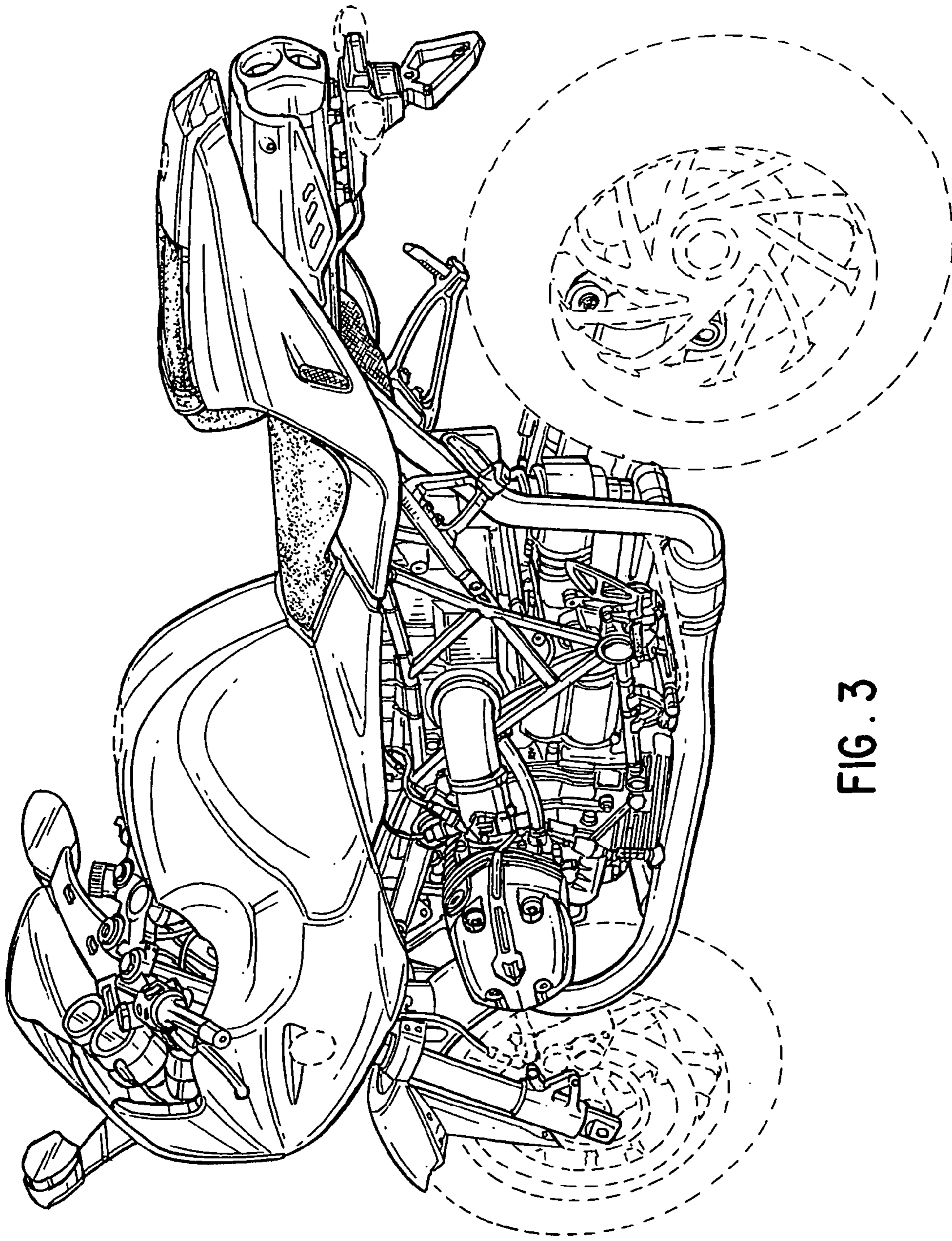


FIG. 3

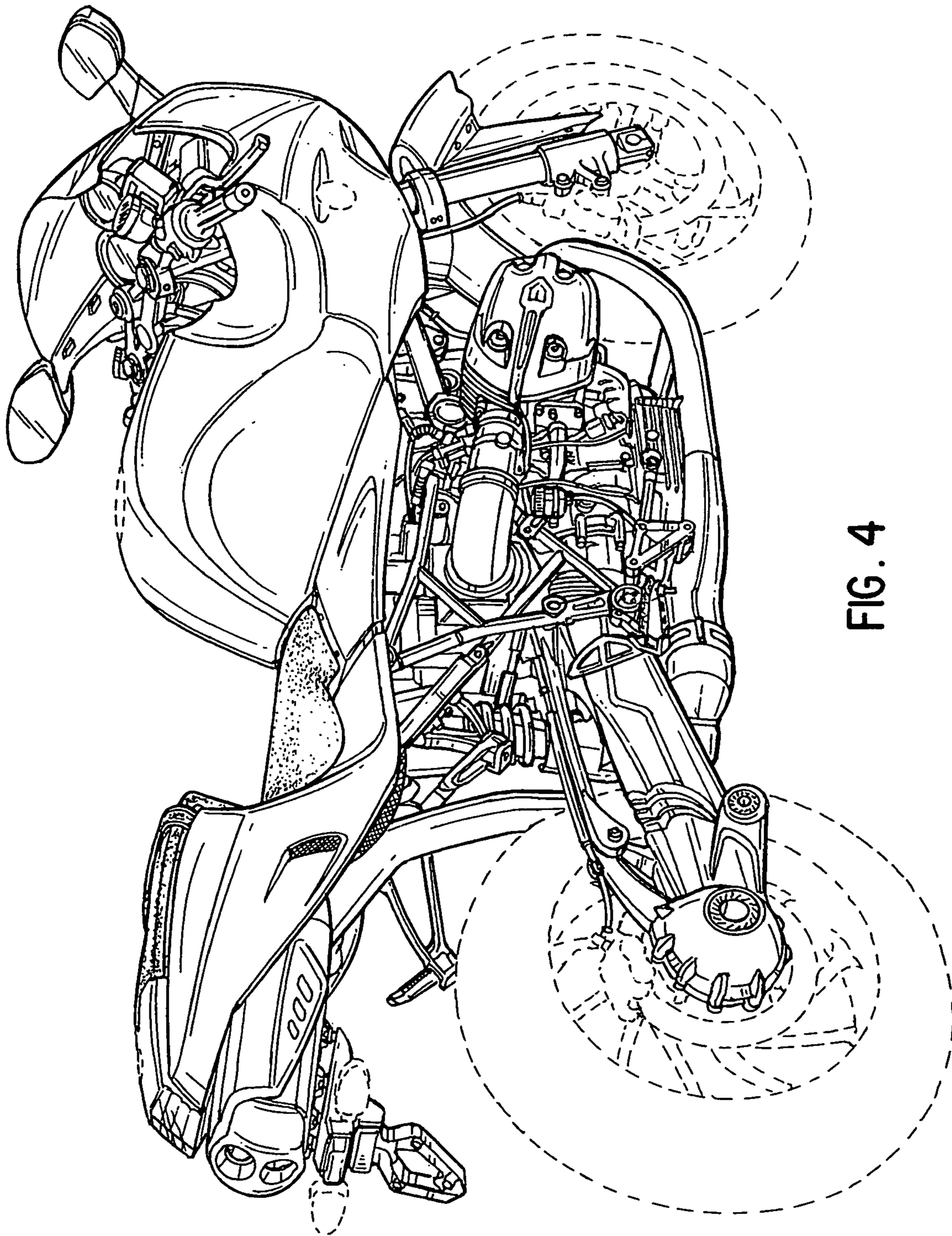


FIG. 4

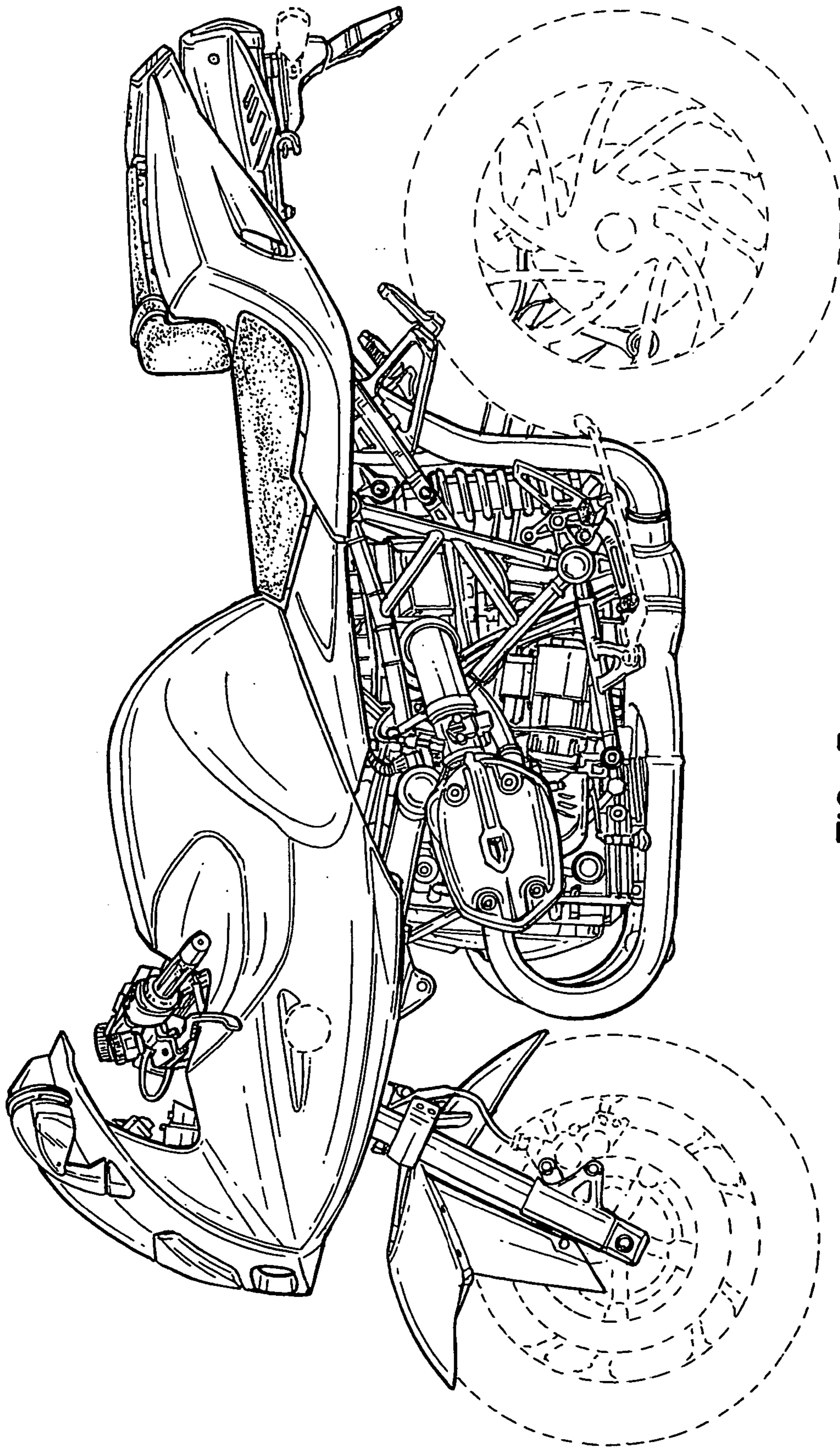


FIG. 5

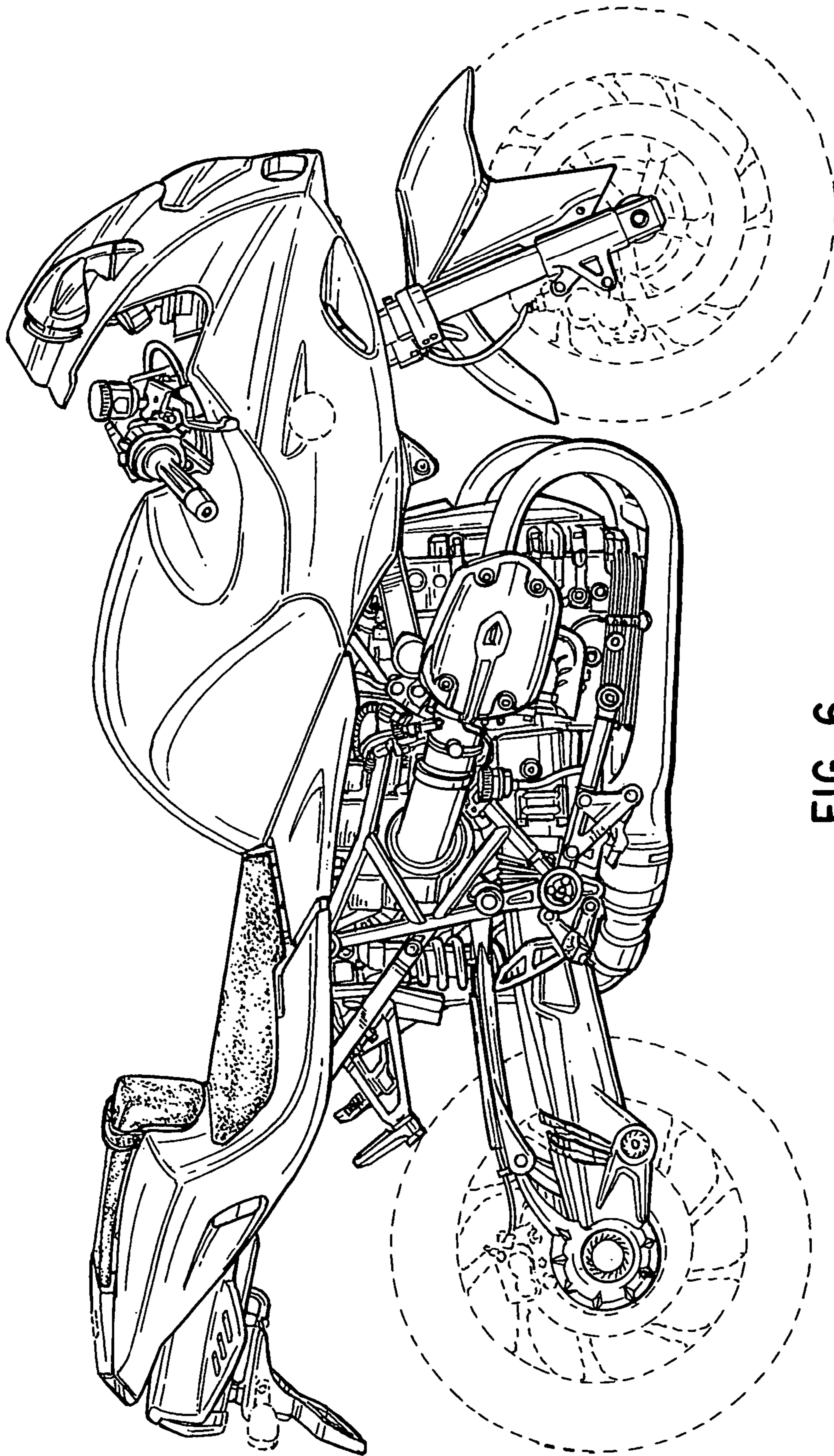


FIG. 6

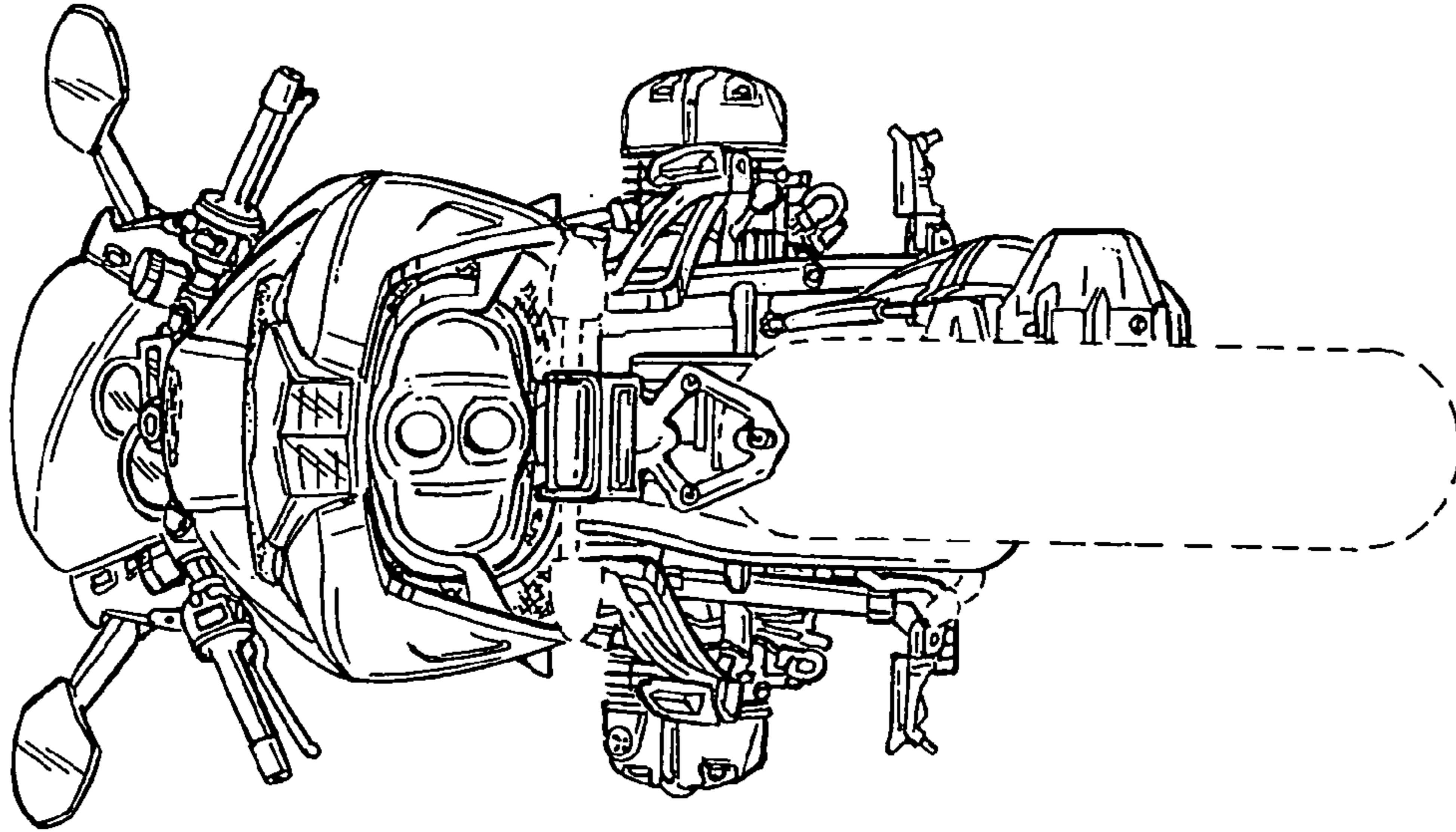


FIG. 8

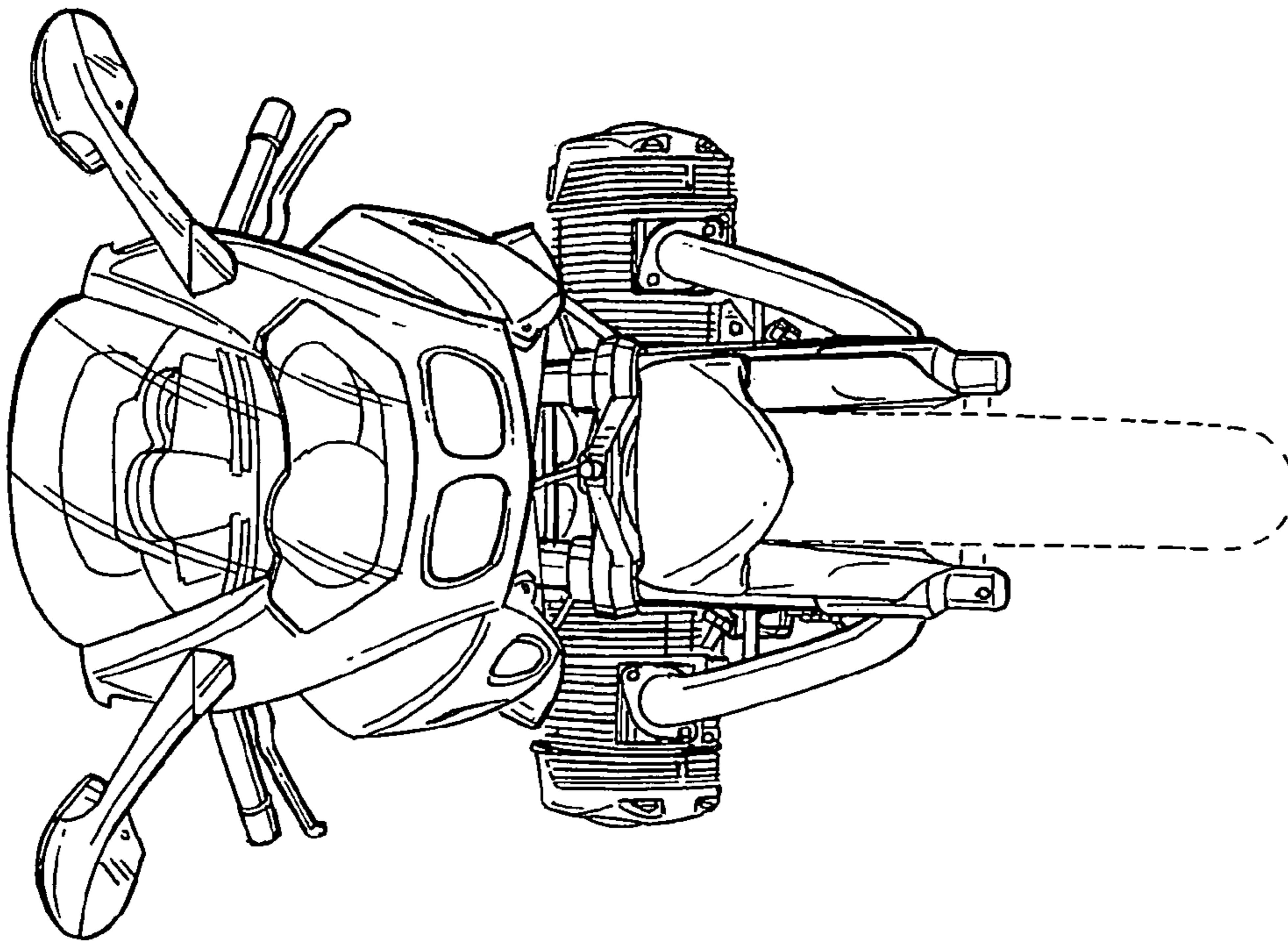


FIG. 7



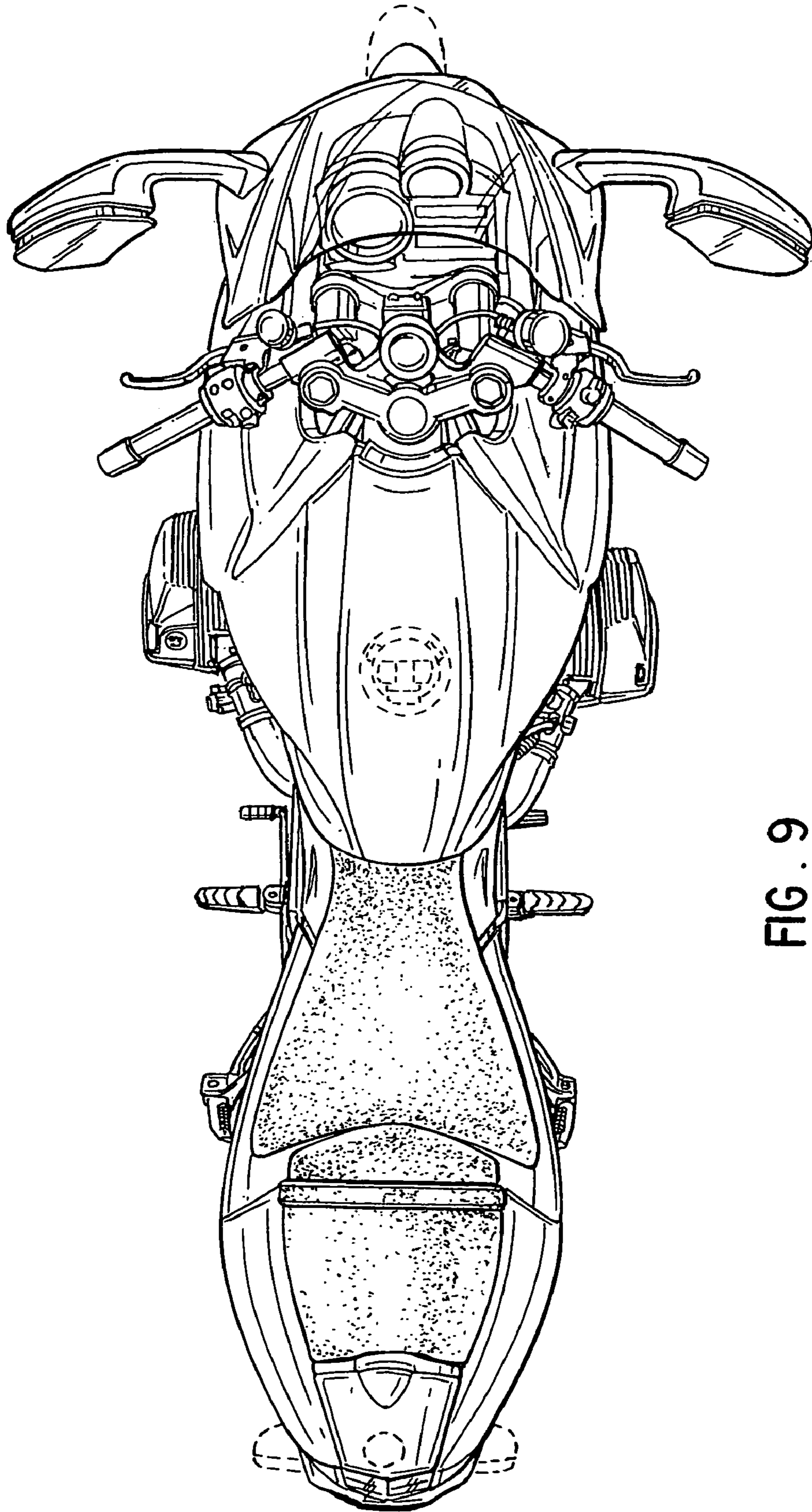


FIG. 9