

US00D549612S

(12) **United States Design Patent**
Kothari

(10) **Patent No.:** **US D549,612 S**

(45) **Date of Patent:** **** Aug. 28, 2007**

(54) **PENDANT**

(75) Inventor: **Premkumar L. Kothari**, Mumbai (IN)

(73) Assignee: **Fine Jewellery (India) Ltd.**, Andheri (East), Mumbai (IN)

(**) Term: **14 Years**

(21) Appl. No.: **29/235,242**

(22) Filed: **Jul. 28, 2005**

(51) **LOC (8) Cl.** **11-01**

(52) **U.S. Cl.** **D11/91; D11/25**

(58) **Field of Classification Search** D11/1,
D11/2, 6-12, 16, 26-28, 34-43, 47-75, 79,
D11/89-93; 63/1.11-14.1, 20, 22, 23, 26-33
See application file for complete search history.

(56) **References Cited**

U.S. PATENT DOCUMENTS

529,743 A * 11/1894 Metzger 63/20
D390,151 S * 2/1998 Blum et al. D11/40

D409,518 S * 5/1999 Ho D11/91
D485,509 S * 1/2004 Shagalov D11/91
D499,046 S * 11/2004 Pinto et al. D11/79
D508,867 S * 8/2005 Shum D11/91
D508,868 S * 8/2005 Pinto et al. D11/92
D509,163 S * 9/2005 Pinto et al. D11/91

* cited by examiner

Primary Examiner—Doris Clark

Assistant Examiner—Michael Pratt

(74) *Attorney, Agent, or Firm*—Thomas I. Rozsa

(57) **CLAIM**

The ornamental design for a pendant, as shown and described.

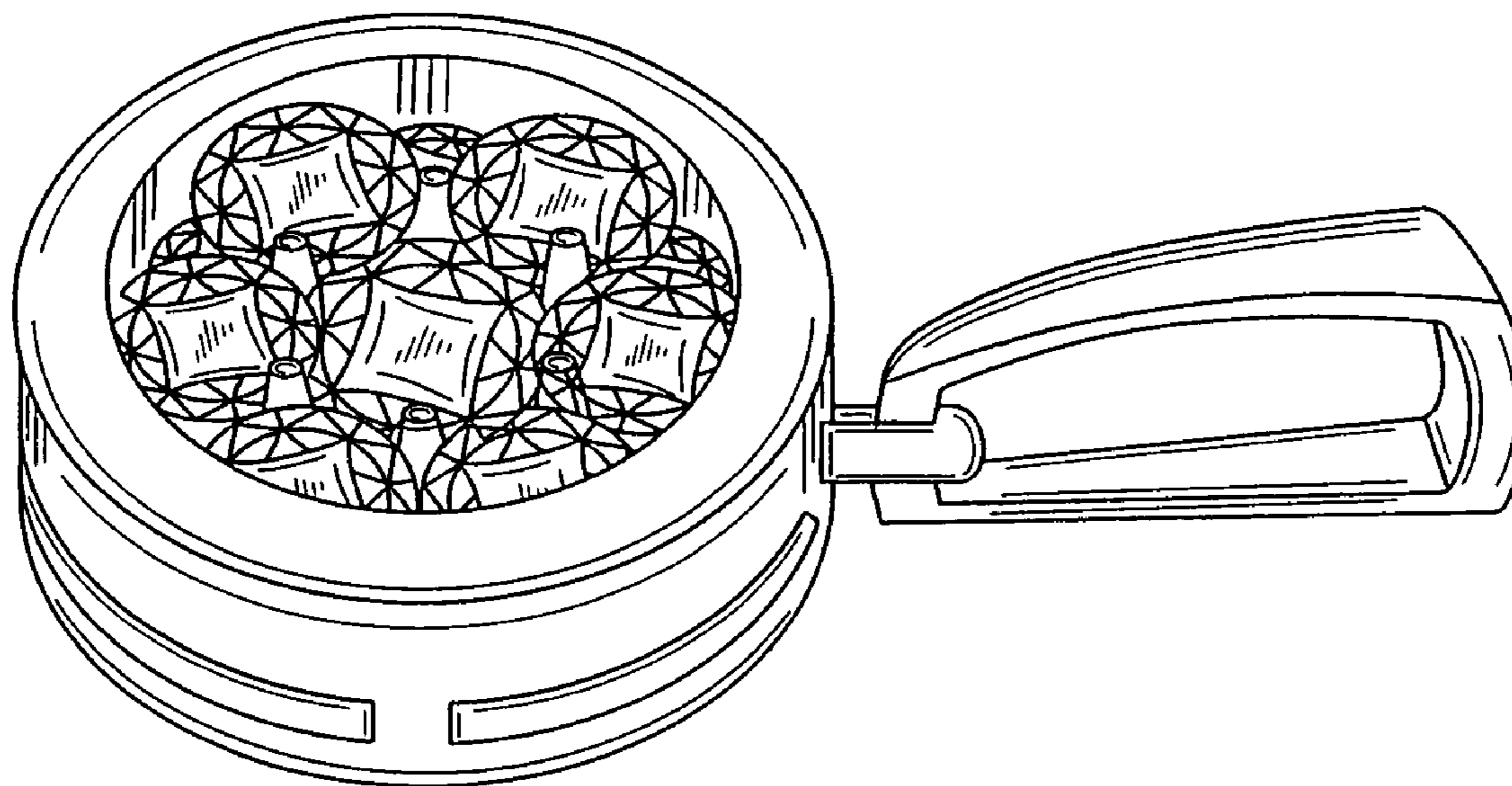
DESCRIPTION

FIG. 1 is a top plan view of the a pendant showing my new design;

FIG. 2 is a bottom plan view; and,

FIG. 3 is perspective view.

1 Claim, 2 Drawing Sheets



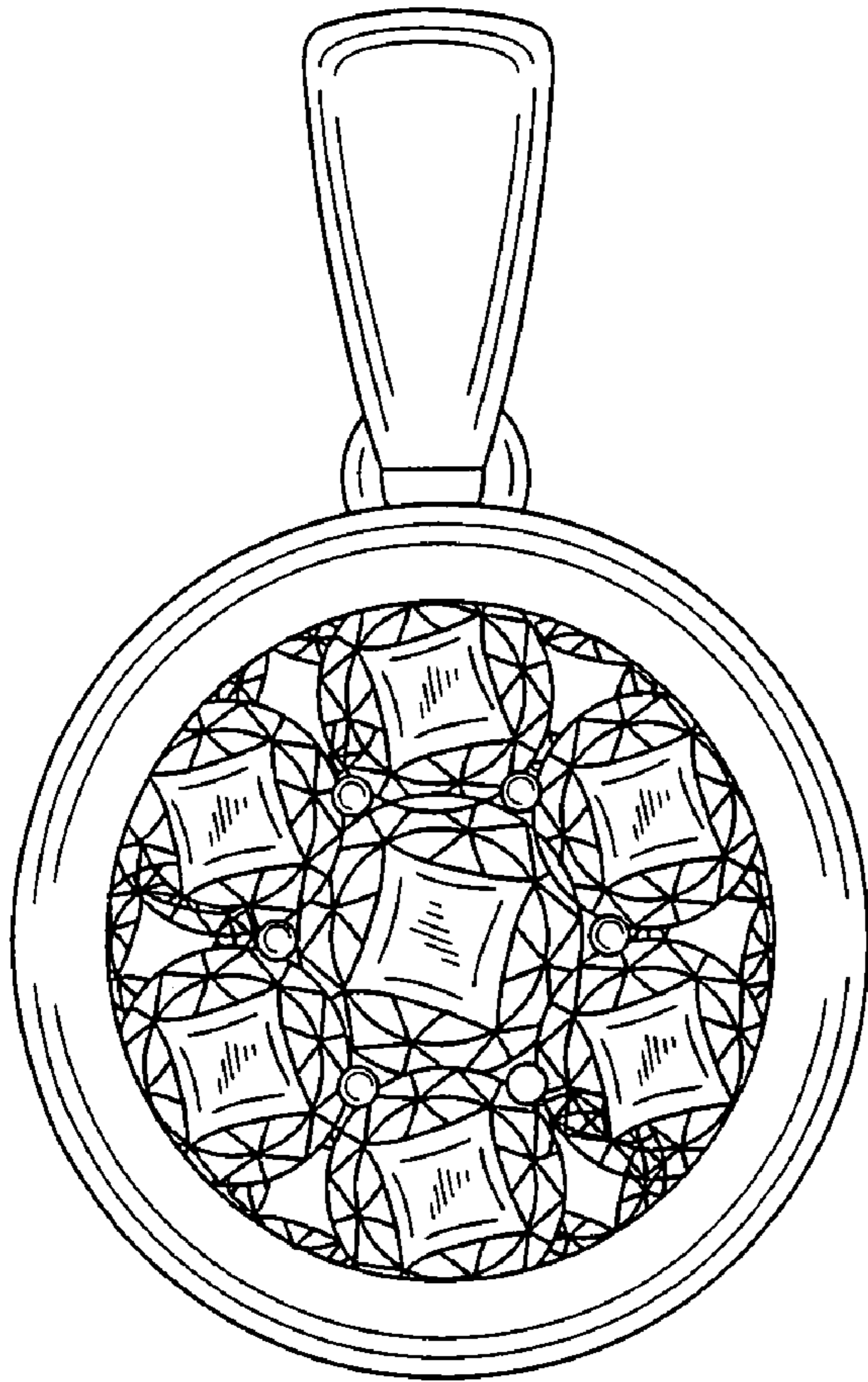


FIG. 1

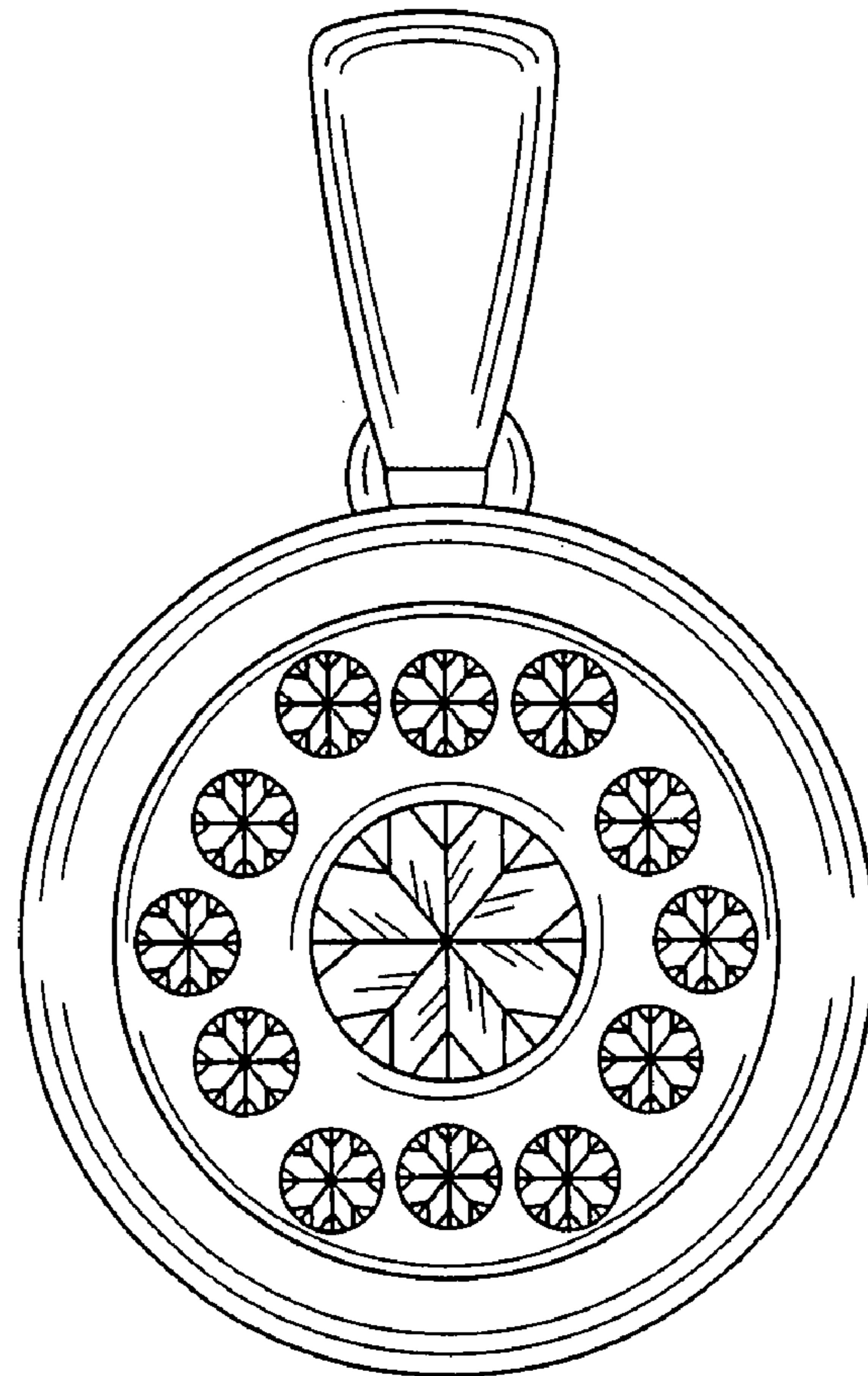


FIG. 2

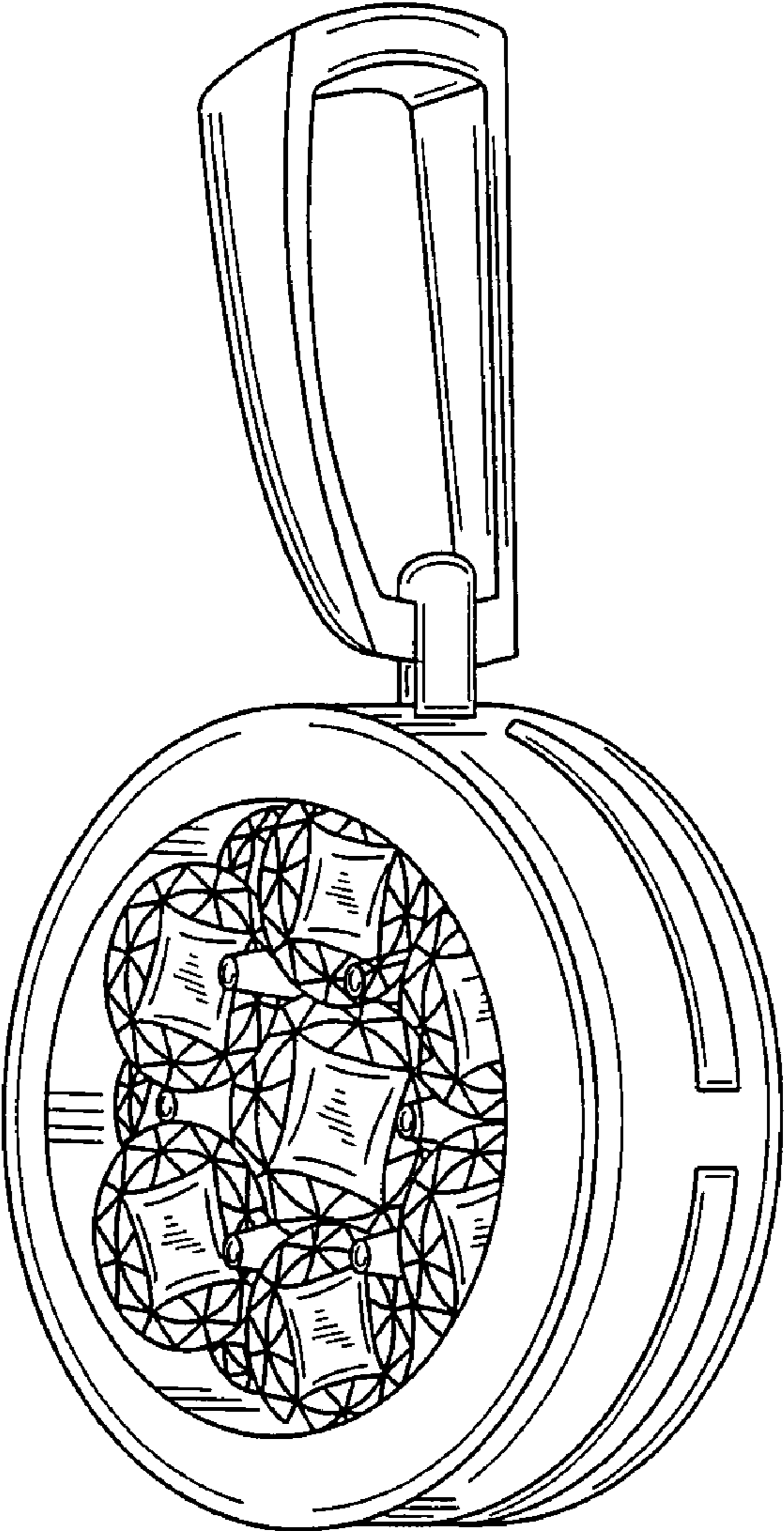


FIG. 3