

US00D549605S

(12) **United States Design Patent**  
**Harrell**

(10) **Patent No.:** **US D549,605 S**

(45) **Date of Patent:** **\*\* Aug. 28, 2007**

(54) **SIGNAL LAMP**

(75) **Inventor:** **Paul Darwin Harrell, Aliso Viejo, CA (US)**

(73) **Assignee:** **Moto911**

(\*\*) **Term:** **14 Years**

(21) **Appl. No.:** **29/263,117**

(22) **Filed:** **Jul. 17, 2006**

(51) **LOC (8) Cl.** ..... **10-05**

(52) **U.S. Cl.** ..... **D10/111**

(58) **Field of Classification Search** ..... D10/104-121;  
362/523, 507, 504, 498, 495, 549, 506, 182,  
362/267, 368; D26/142, 28; D22/108; D8/78  
See application file for complete search history.

(56) **References Cited**

**U.S. PATENT DOCUMENTS**

D258,315 S *	2/1981	Alsman	.....	D26/28
D276,468 S *	11/1984	Preisler et al.	.....	D26/28
D294,178 S *	2/1988	Stahel	.....	D26/28
D316,159 S *	4/1991	Whitley, II	.....	D26/142
D334,073 S *	3/1993	Wishoff	.....	D26/28
D462,467 S *	9/2002	Nakazawa et al.	.....	D26/28
6,619,818 B2 *	9/2003	Grove	.....	362/267
D493,900 S *	8/2004	Jacobs	.....	D26/28
D510,402 S *	10/2005	Owens	.....	D22/108
D521,839 S *	5/2006	Hung	.....	D8/78

D531,330 S *	10/2006	Takabatake	.....	D26/28
2002/0067613 A1 *	6/2002	Grove	.....	362/267
2003/0161156 A1 *	8/2003	Felty	.....	362/368
2004/0252496 A1 *	12/2004	Dalton et al.	.....	362/198

\* cited by examiner

*Primary Examiner*—Robert M. Spear

*Assistant Examiner*—George D. Kirschbaum, Jr.

(74) *Attorney, Agent, or Firm*—Stetina Brunda Garred & Brucker

(57) **CLAIM**

The ornamental design for a signal lamp, as shown and described.

**DESCRIPTION**

FIG. 1 is a rear perspective view of my new design for a signal lamp;

FIG. 2 is front perspective view thereof;

FIG. 3 is a top plan view thereof;

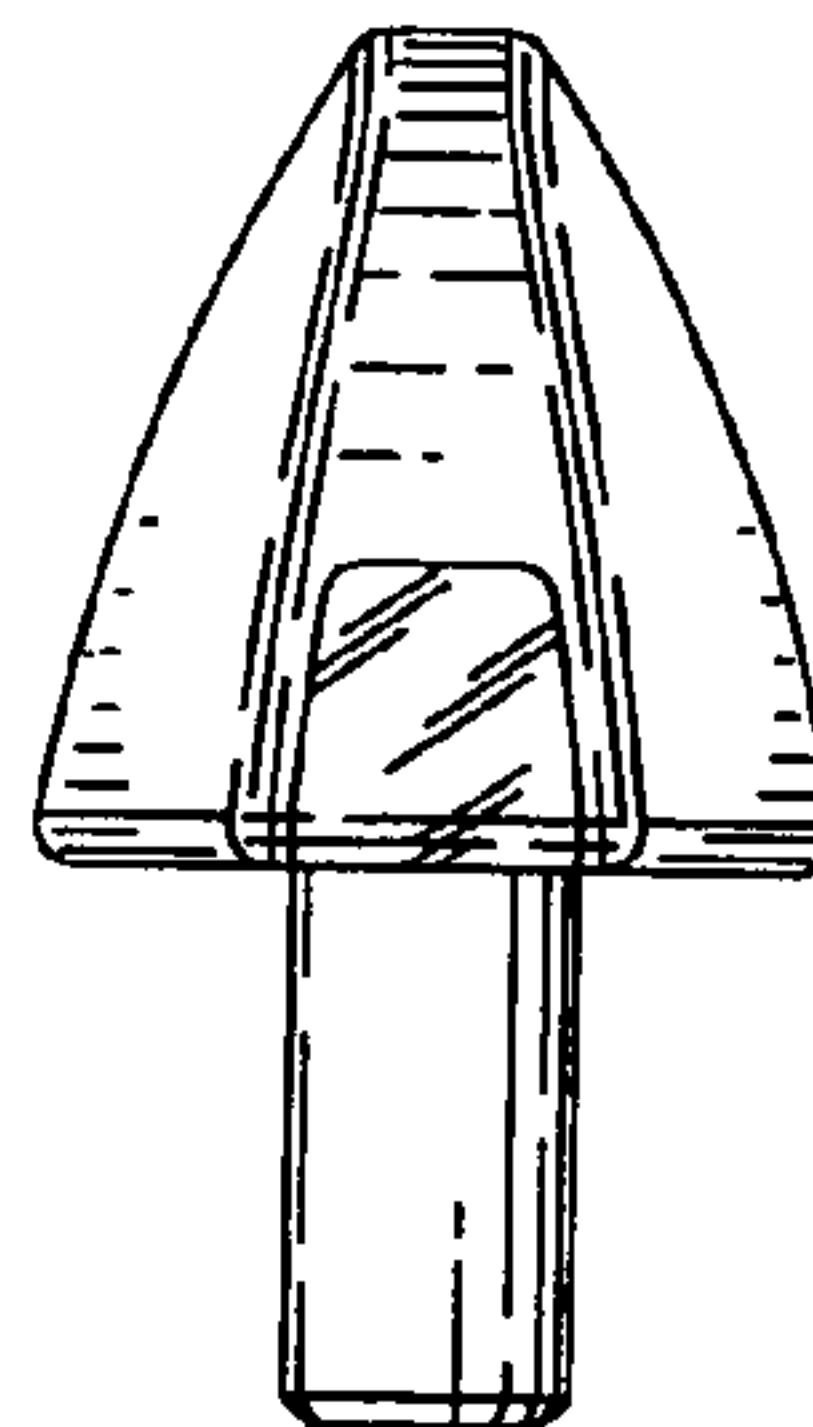
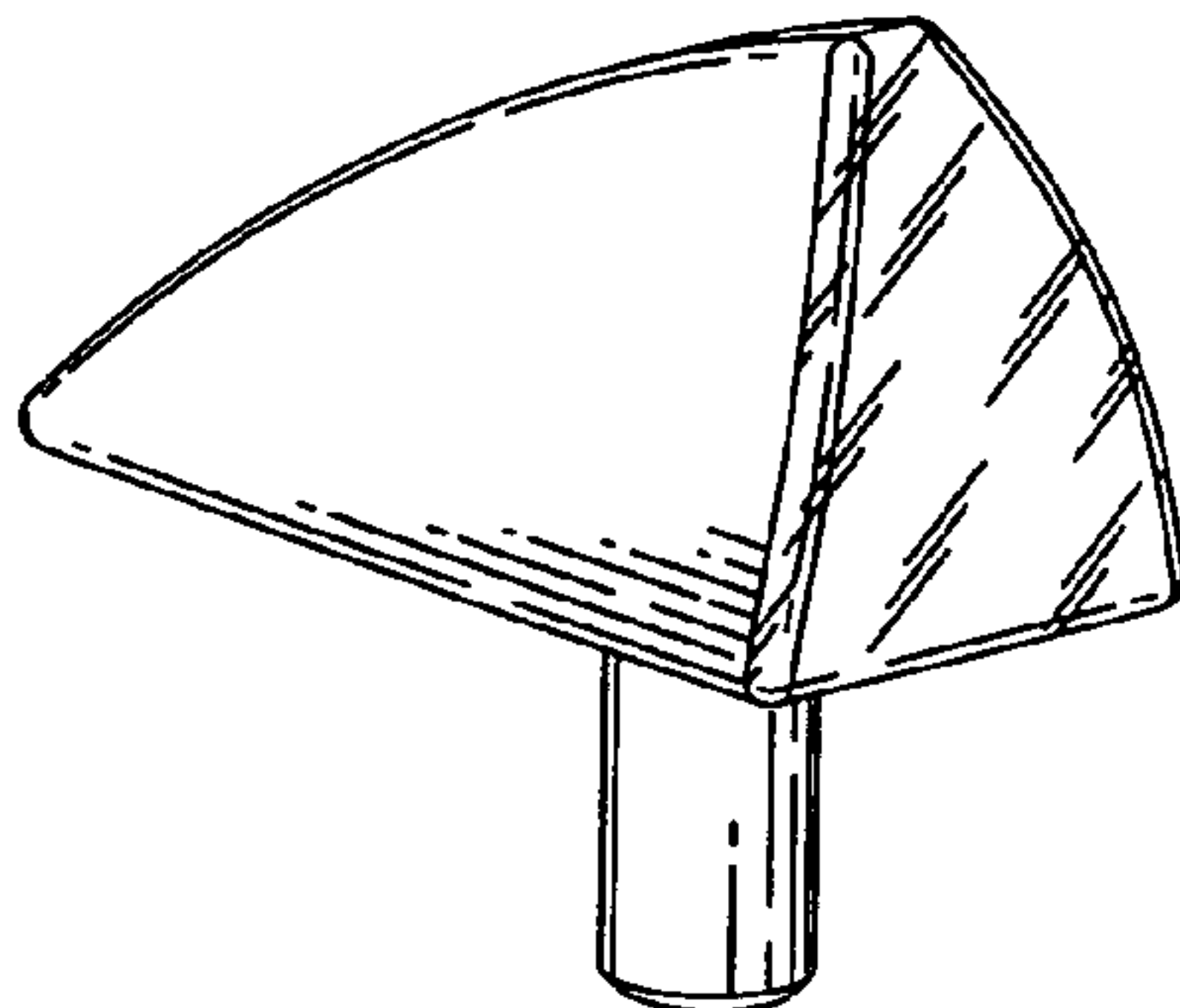
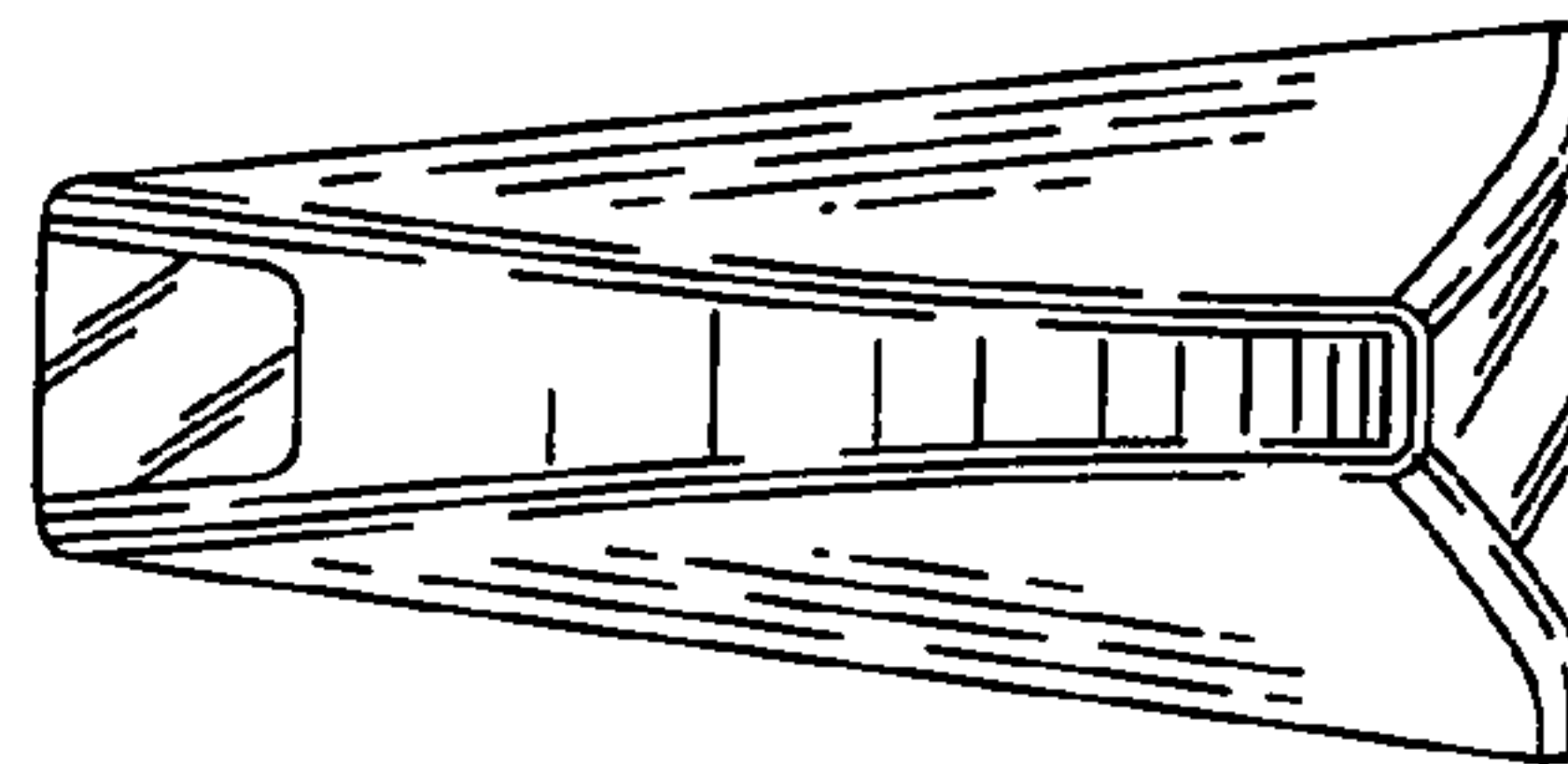
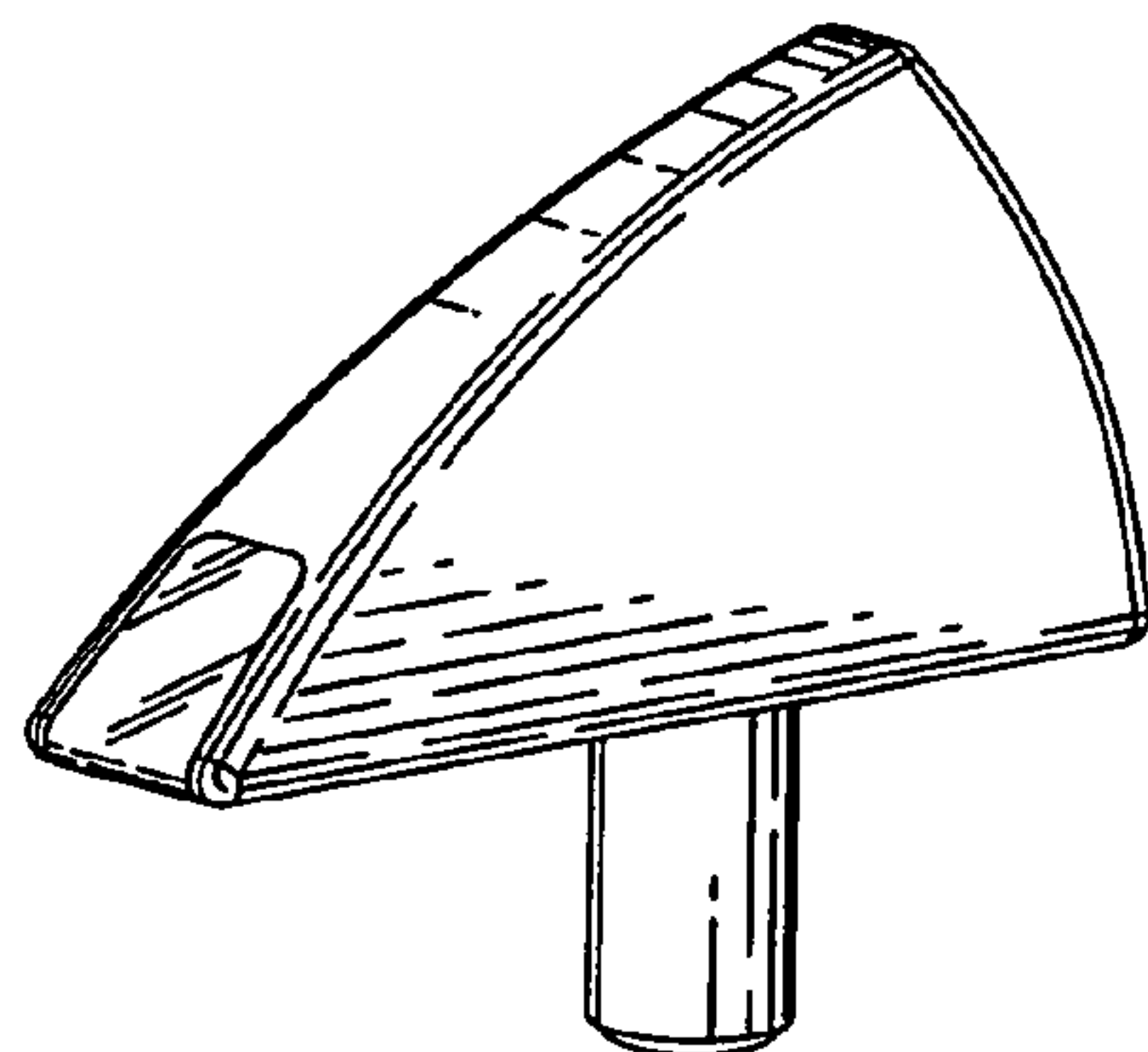
FIG. 4 is rear elevational view thereof;

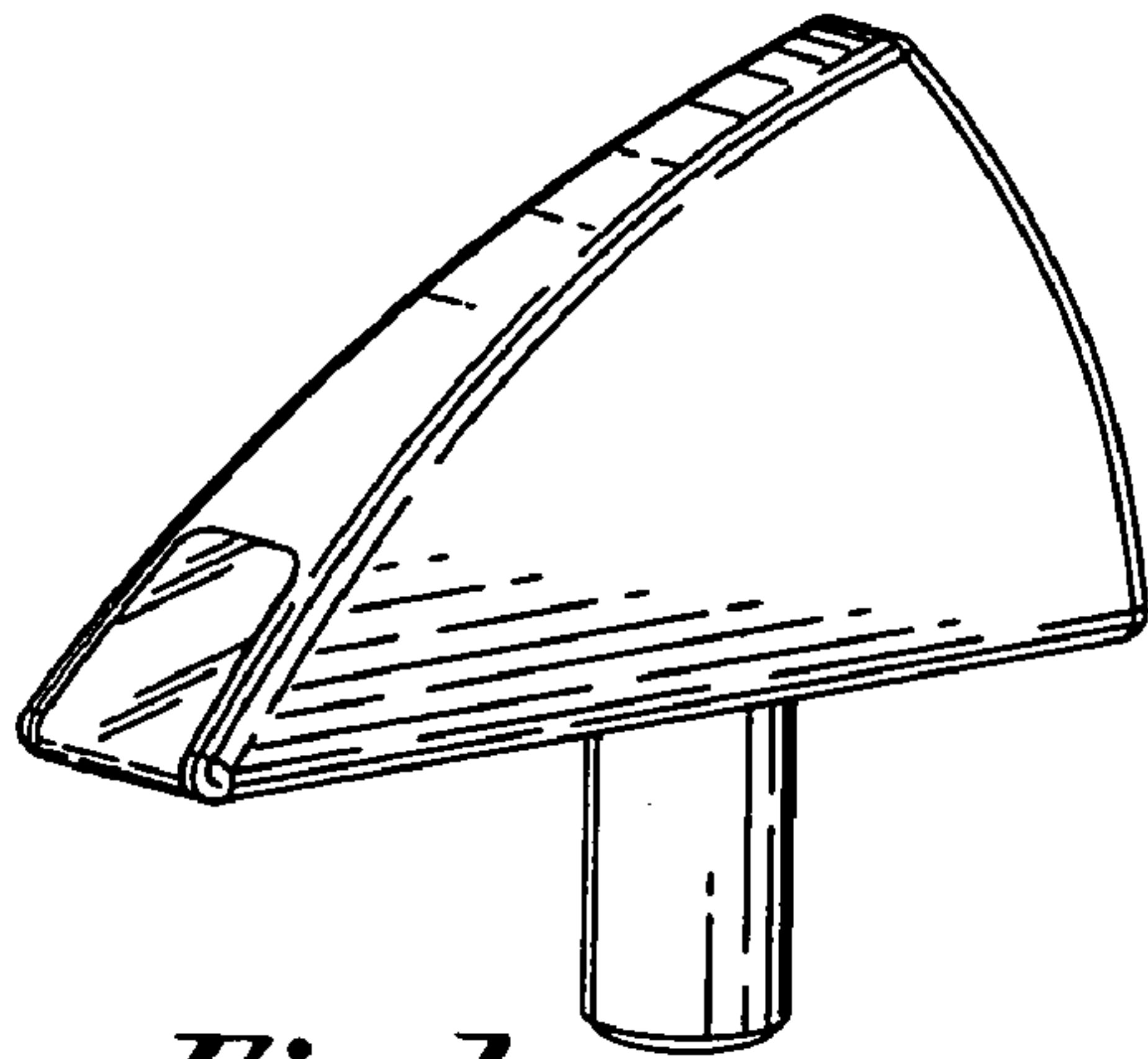
FIG. 5 is a right side elevational view thereof with the left side elevational view being a mirror image of the right side elevational view;

FIG. 6 is a front elevational view thereof; and,

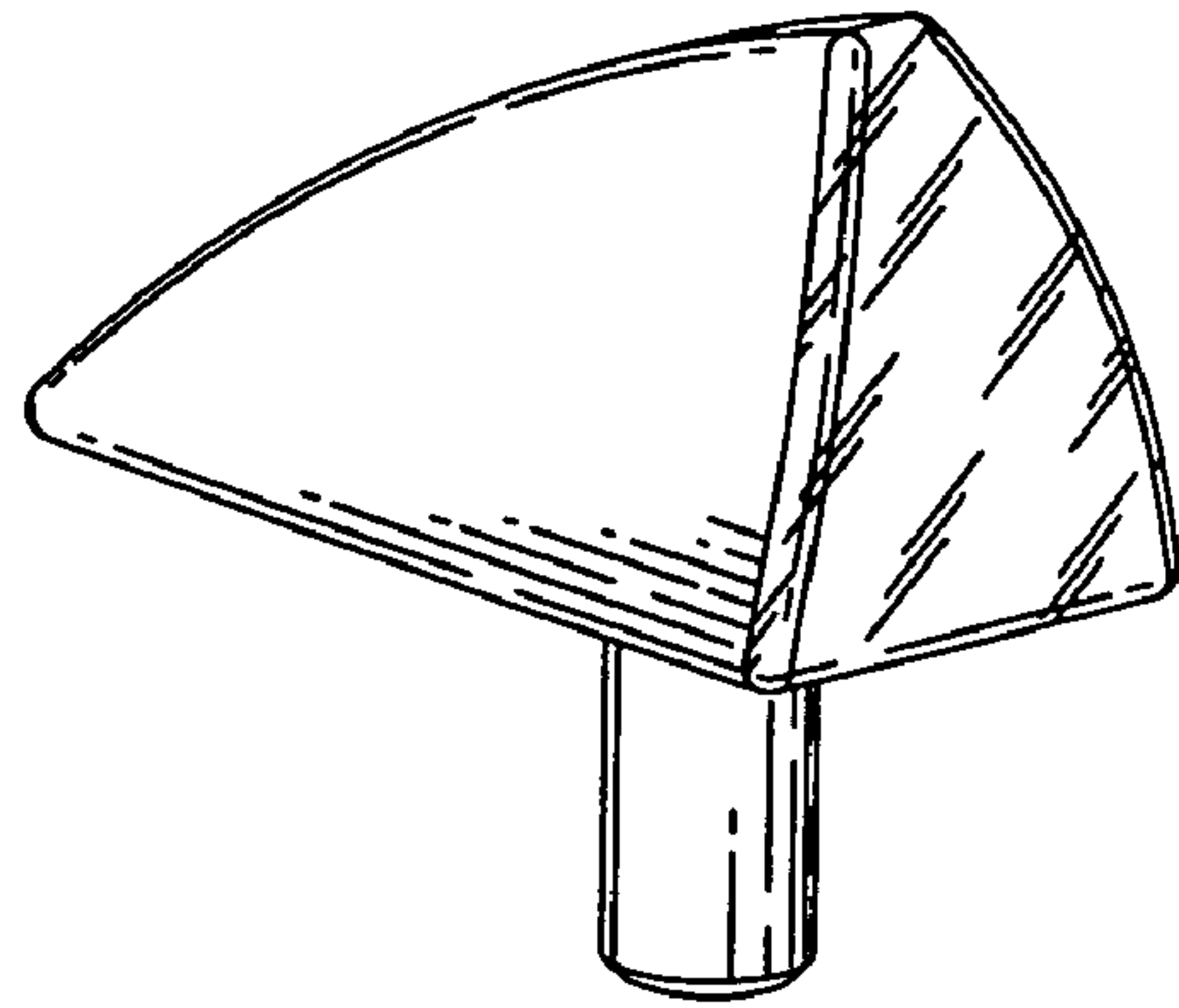
FIG. 7 is a bottom plan view thereof.

**1 Claim, 1 Drawing Sheet**

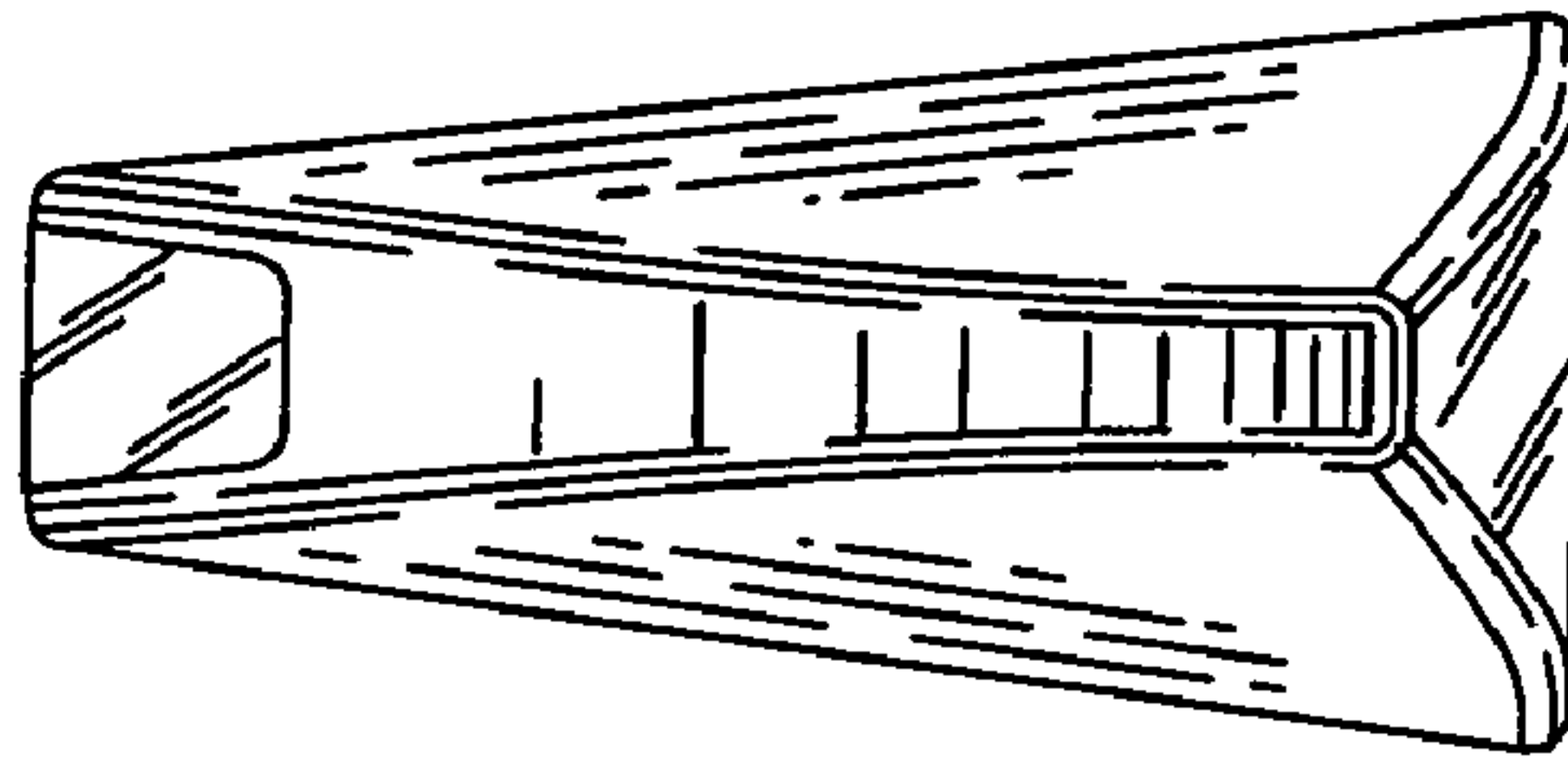




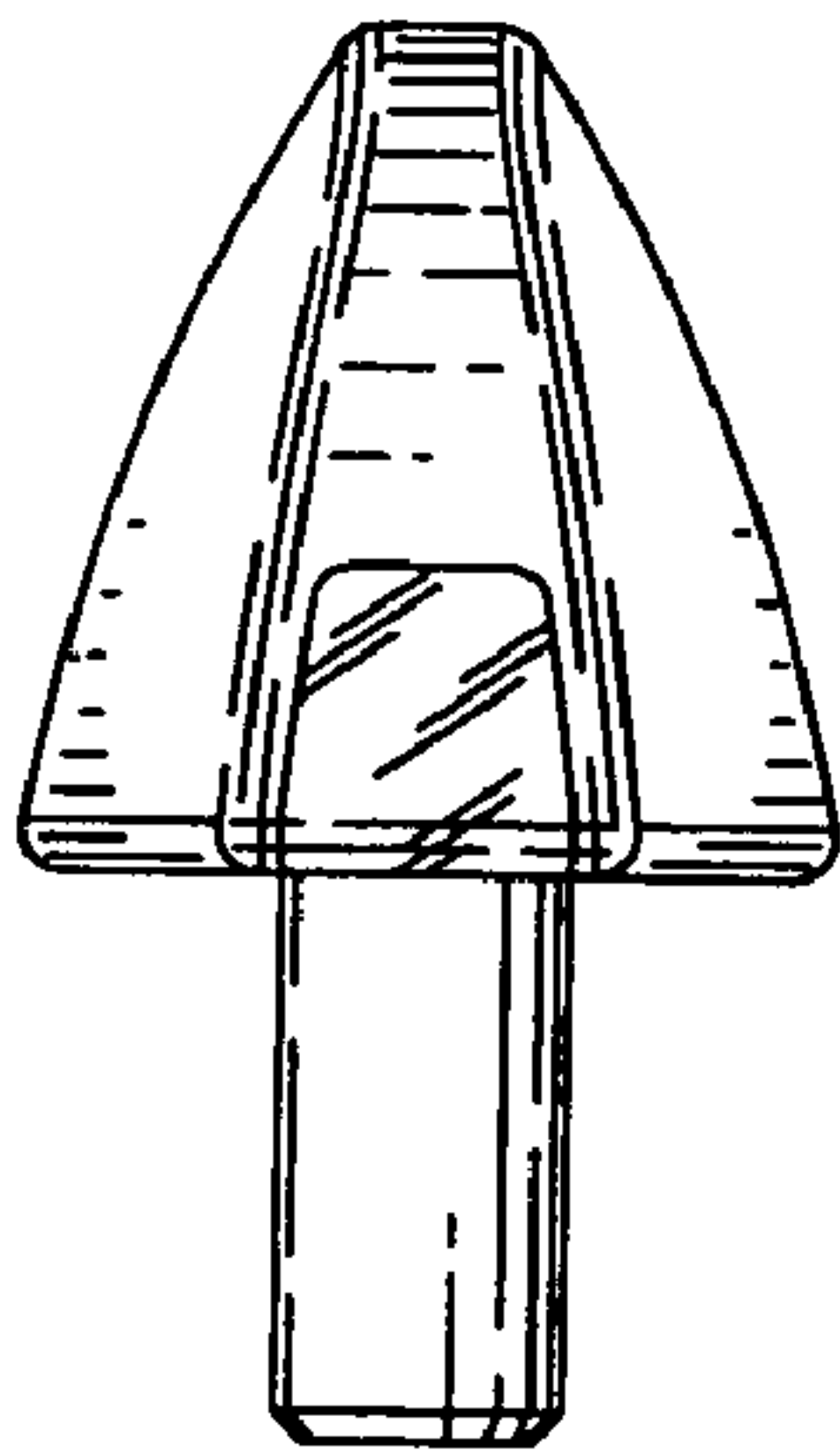
*Fig. 1*



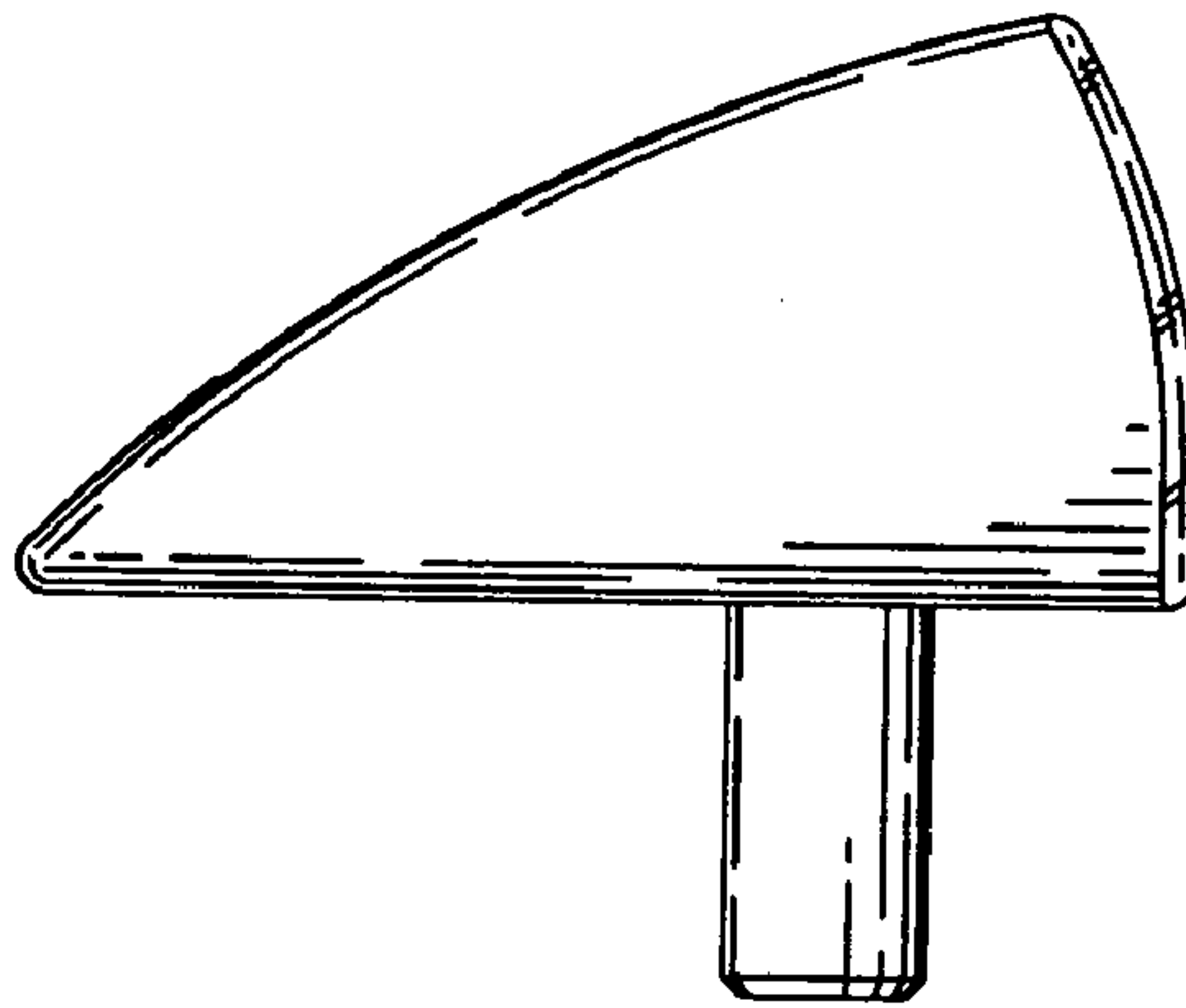
*Fig. 2*



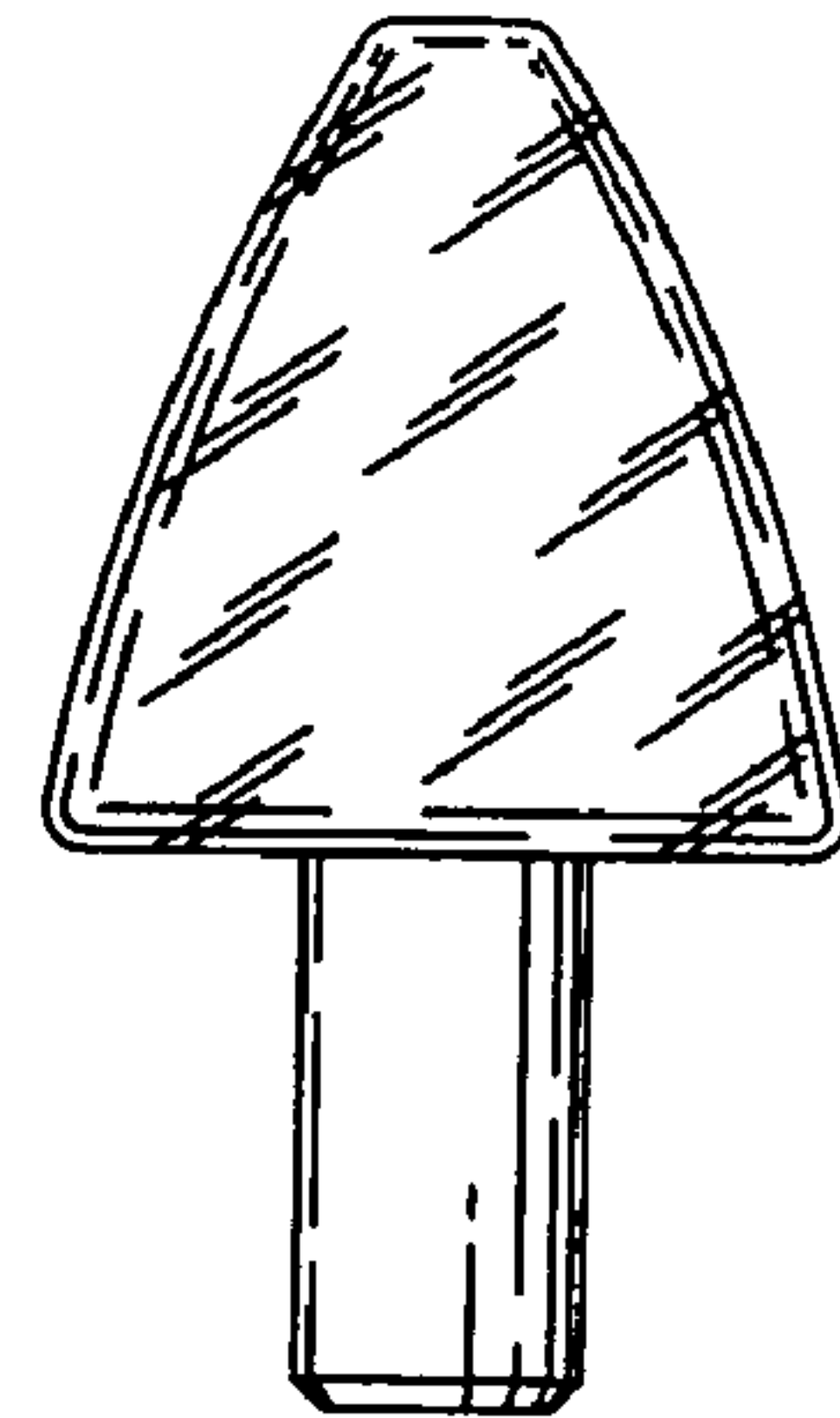
*Fig. 3*



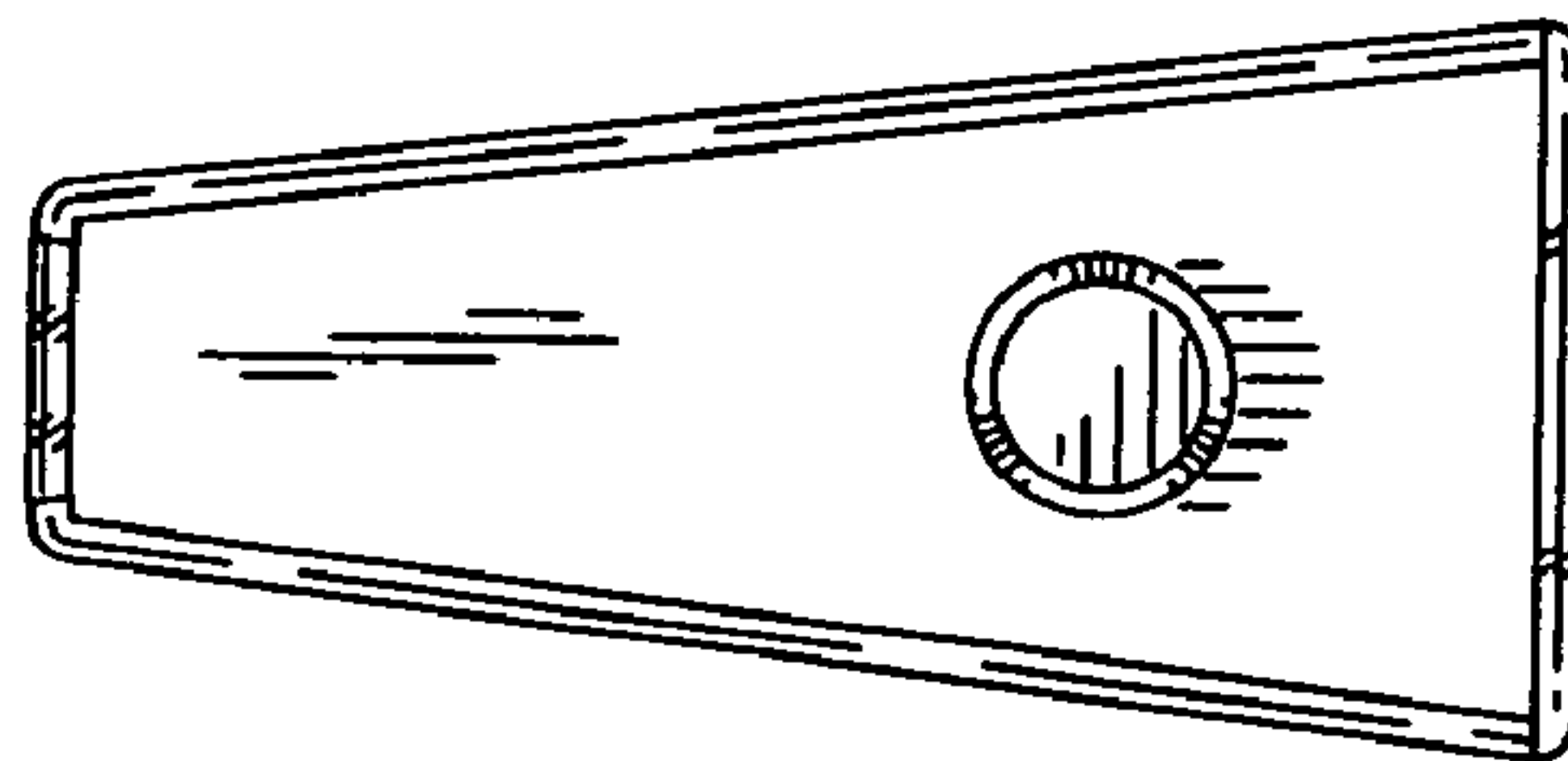
*Fig. 4*



*Fig. 5*



*Fig. 6*



*Fig. 7*