

US00D549603S

(12) **United States Design Patent** (10) **Patent No.:** **US D549,603 S**
Lammers-Meis et al. (45) **Date of Patent:** **** Aug. 28, 2007**

(54) **NAVIGATION DEVICE**

D383,400 S * 9/1997 Wada D10/65

(75) Inventors: **David F. Lammers-Meis**, Olathe, KS (US); **Robert M. Kalis**, Overland Park, KS (US); **Paul E. Skelton**, Lenexa, KS (US); **Stephen P. Waite**, Blue Springs, MO (US)

* cited by examiner

Primary Examiner—Antoine D. Davis
(74) *Attorney, Agent, or Firm*—David L. Terrell

(73) Assignee: **Garmin Ltd.** (KY)

(57) **CLAIM**

The ornamental design for a navigation device, as shown and described.

(**) Term: **14 Years**

(21) Appl. No.: **29/275,145**

(22) Filed: **Dec. 14, 2006**

Related U.S. Application Data

(63) Continuation of application No. 29/244,329, filed on Dec. 8, 2005, now Pat. No. Des. 541,186.

(51) **LOC (8) Cl.** **10-04**

(52) **U.S. Cl.** **D10/74**

(58) **Field of Classification Search** D10/65,
D10/80, 74; D14/347; 342/351, 419, 457,
342/357.06–357.13; 343/702; 345/87, 104,
345/133, 156, 168, 173, 901–905; 348/180,
348/184, 315, 739; 364/444, 499; 701/206–209,
701/213, 214

See application file for complete search history.

(56) **References Cited**

U.S. PATENT DOCUMENTS

D366,220 S * 1/1996 Sakamoto D10/65

DESCRIPTION

FIG. 1 is a front perspective view of a navigation device according to the present invention;

FIG. 2 is a rear perspective view thereof;

FIG. 3 is a front elevational view thereof;

FIG. 4 is a top plan view thereof;

FIG. 5 is a left side elevational view thereof;

FIG. 6 is a rear elevational view thereof;

FIG. 7 is a bottom plan view thereof;

FIG. 8 is a right side elevational view thereof;

FIG. 9 is a front perspective view thereof, with an antenna portion extended, those portions shown in dashed lines for illustrative purposes only and forming no part of the claimed design; and,

FIG. 10 is a rear perspective view thereof, with the antenna portion extended, those portions shown in dashed lines for illustrative purposes only and forming no part of the claimed design.

1 Claim, 10 Drawing Sheets

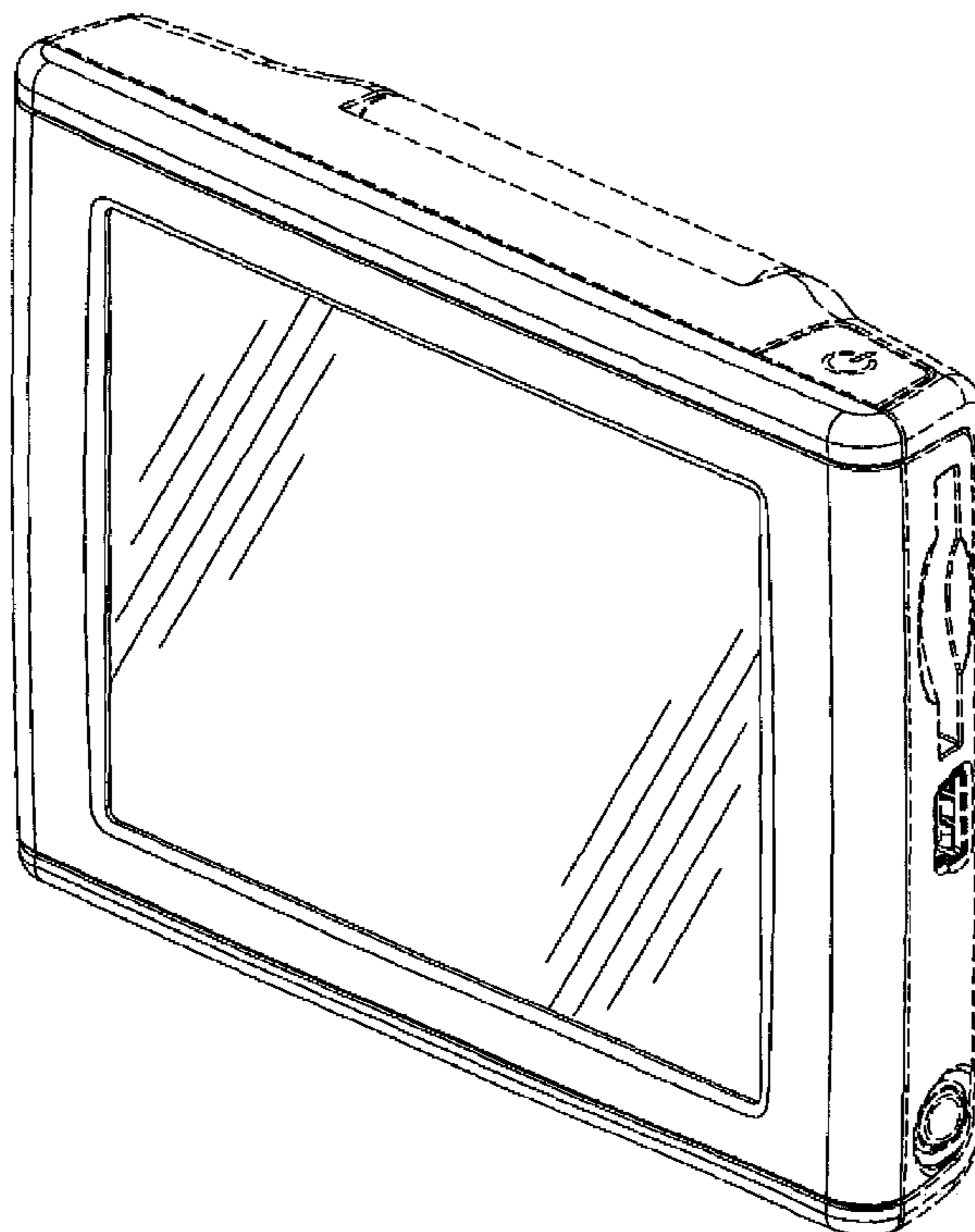
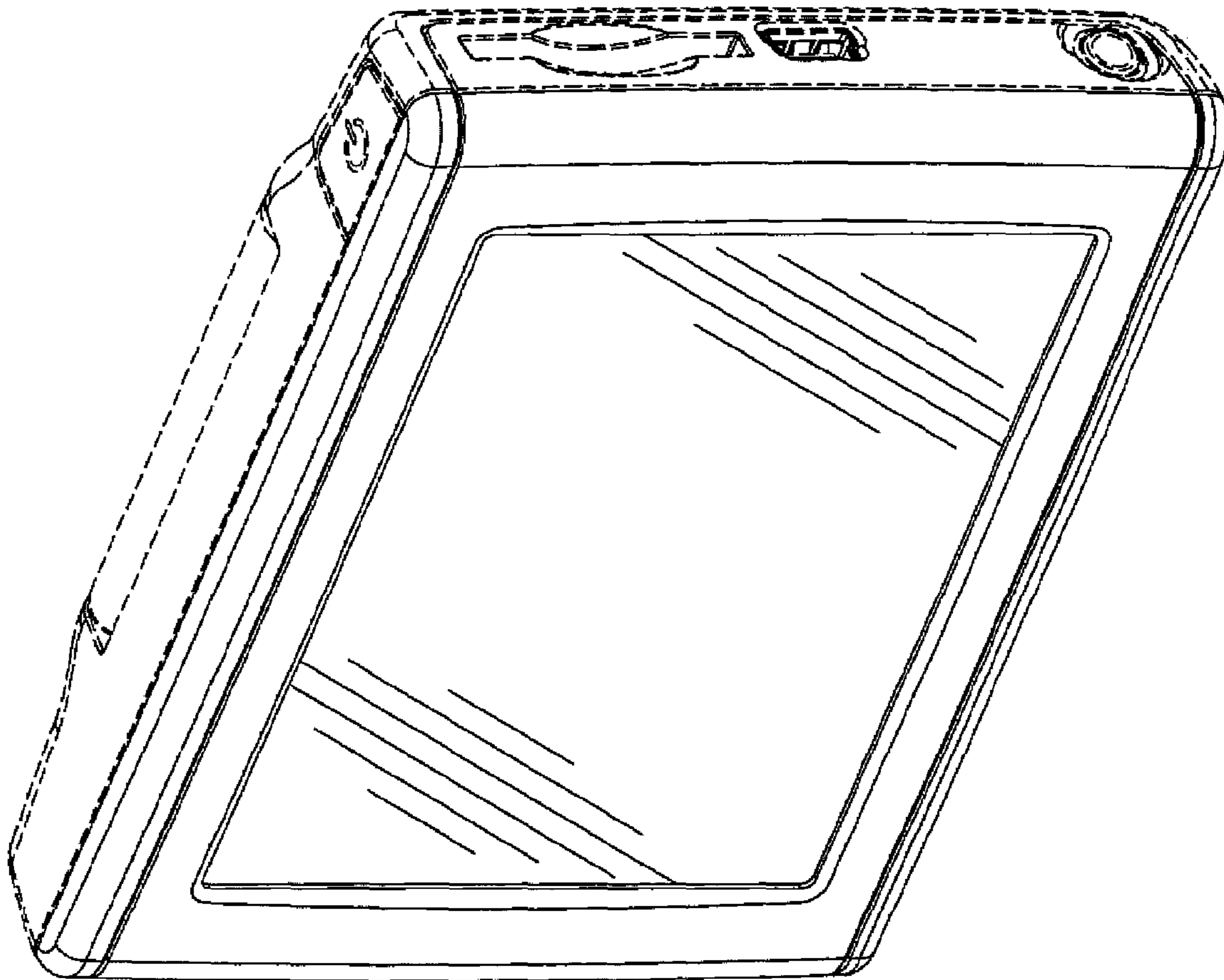


FIG. 1.



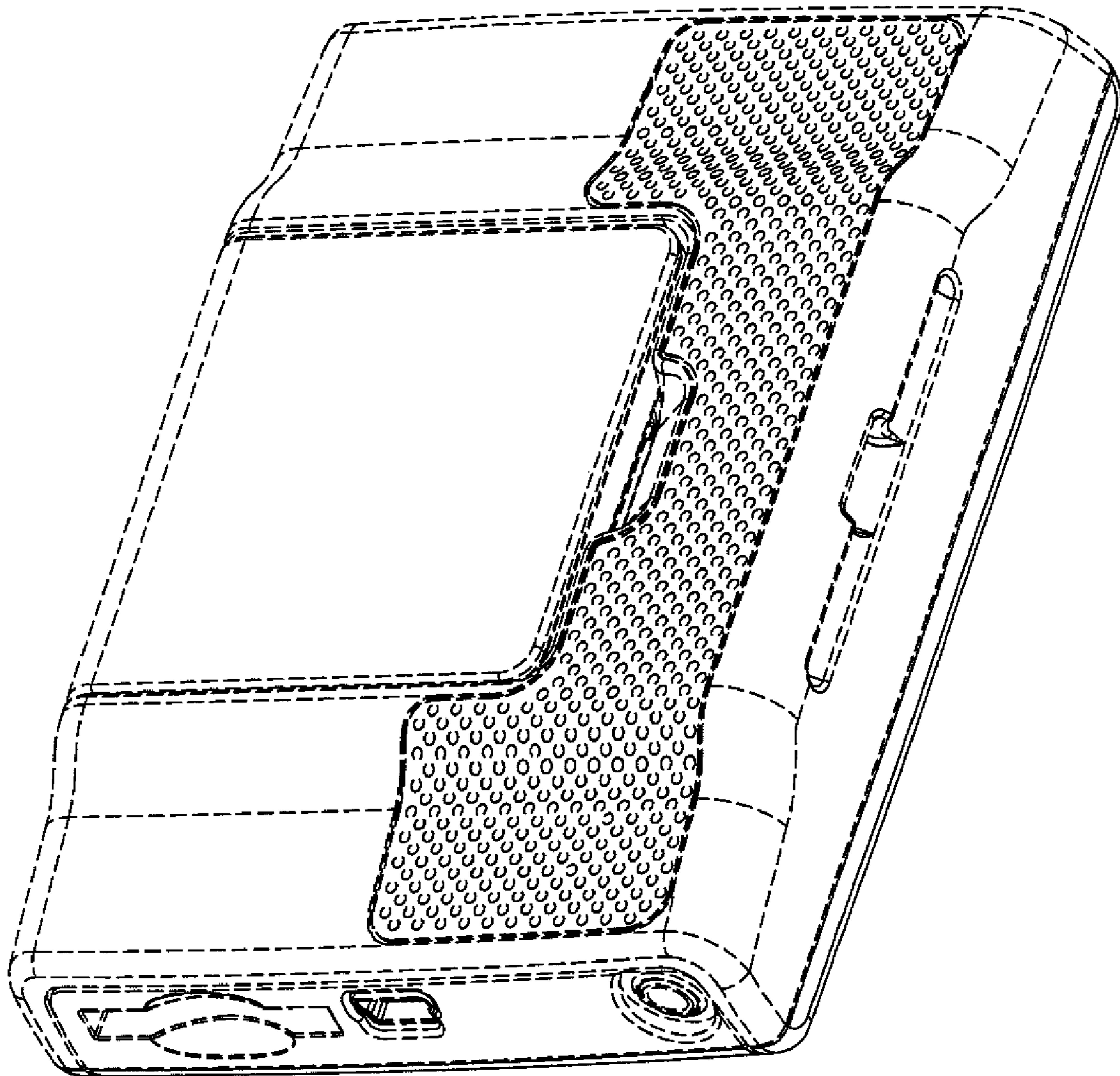


FIG. 2.

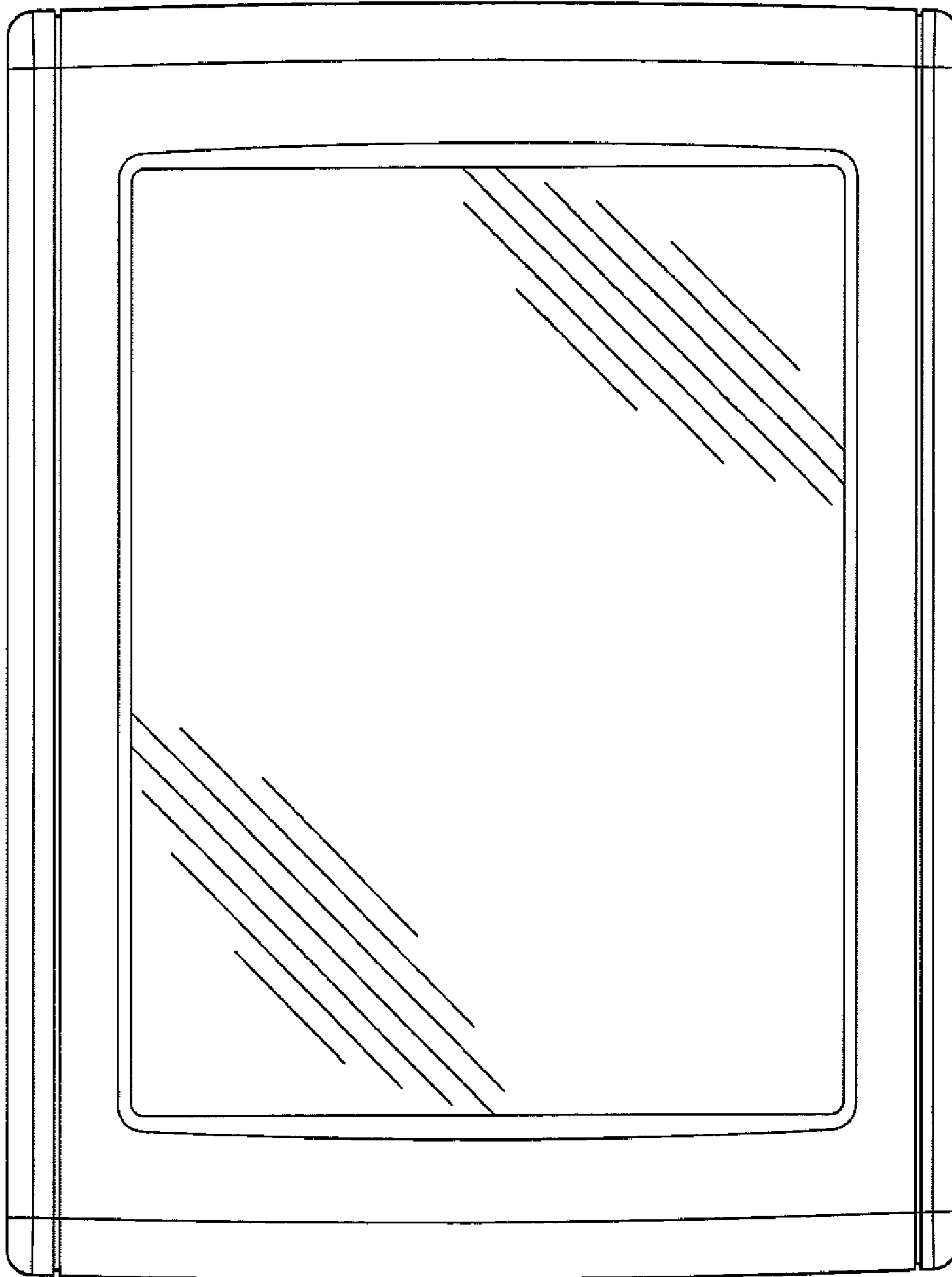


FIG. 3.

FIG. 4.

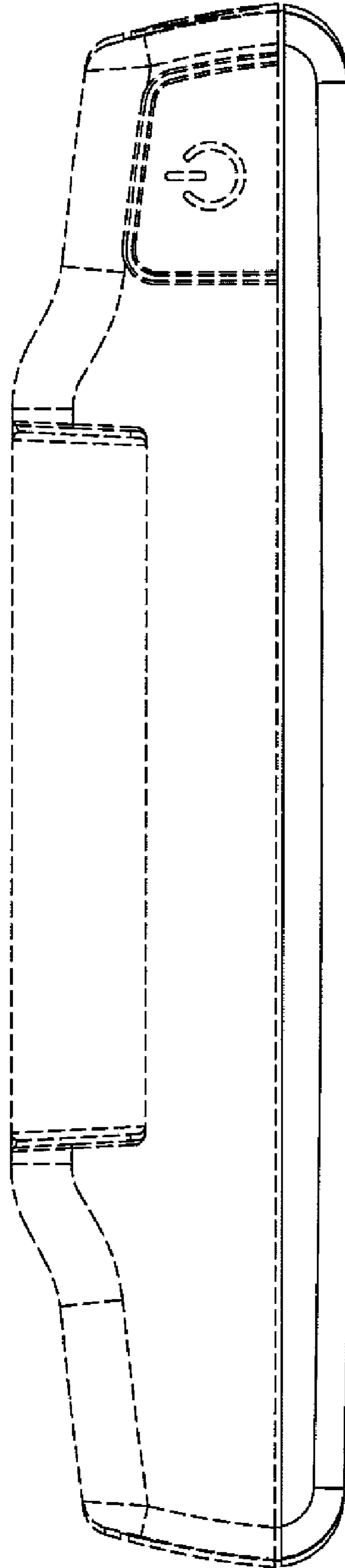
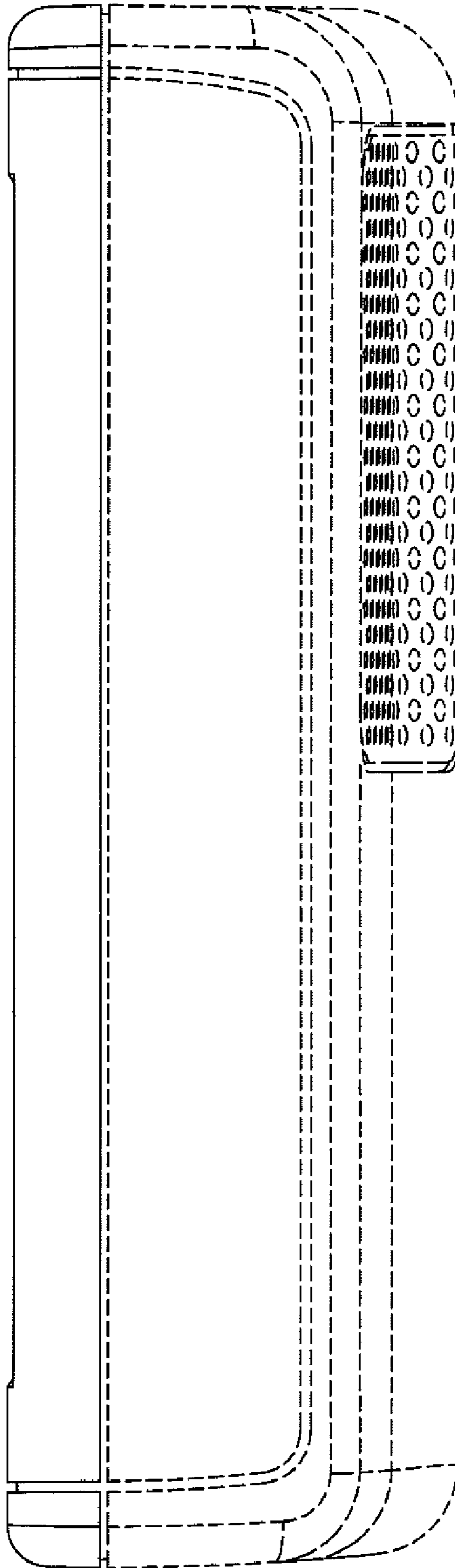


FIG. 5.



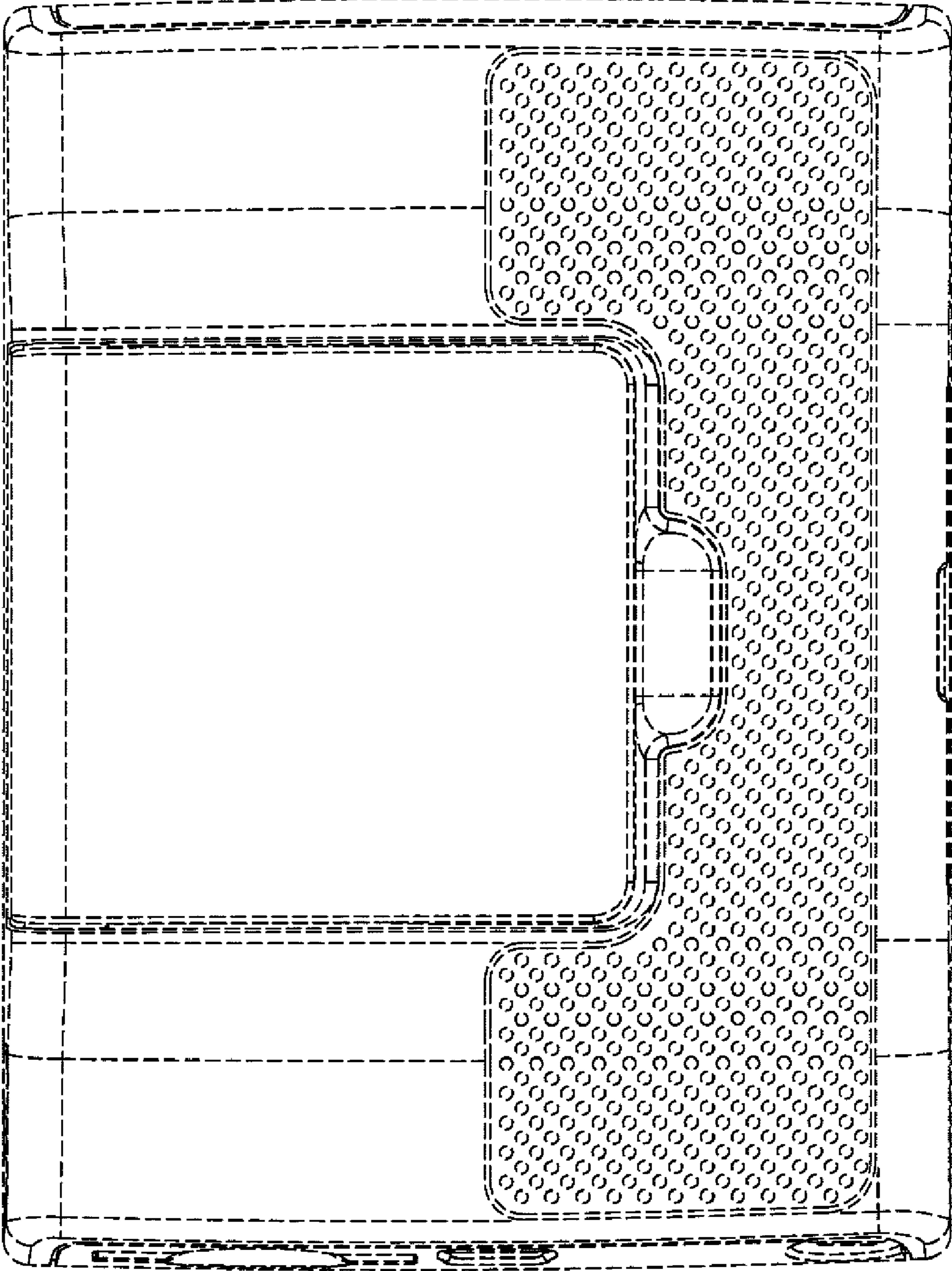


FIG. 6.

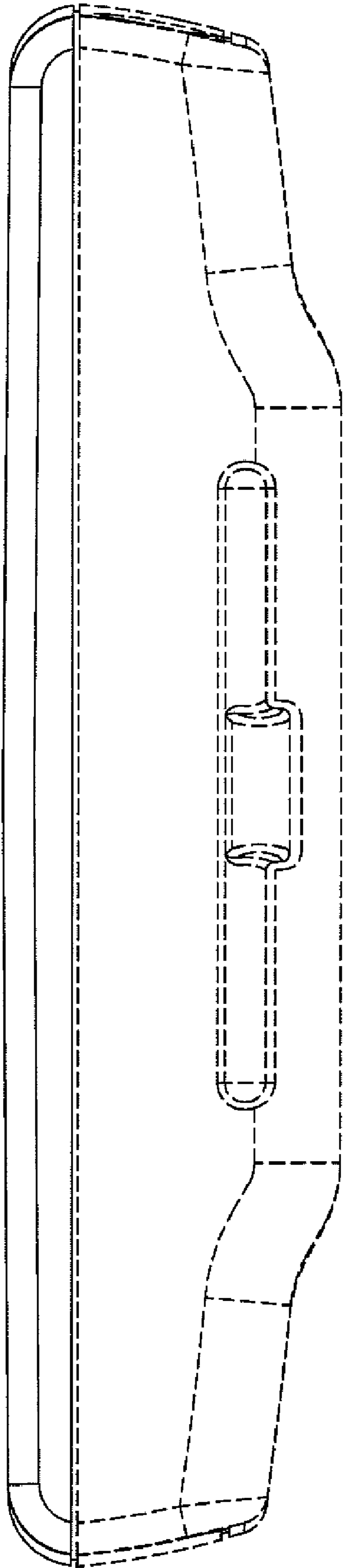


FIG. 7.

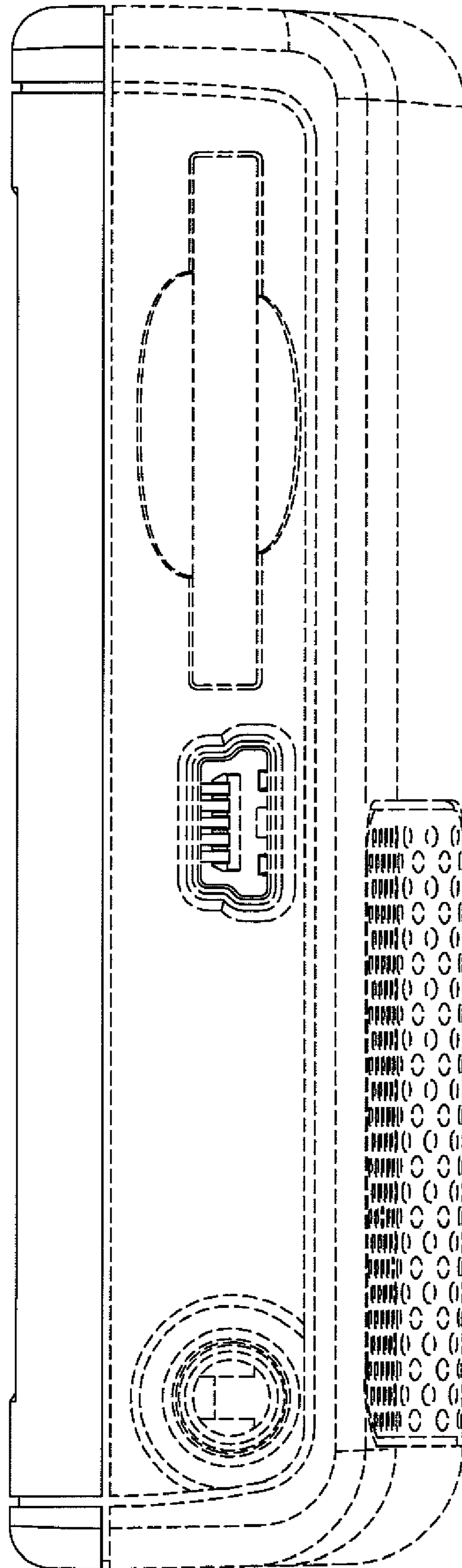


FIG. 8.

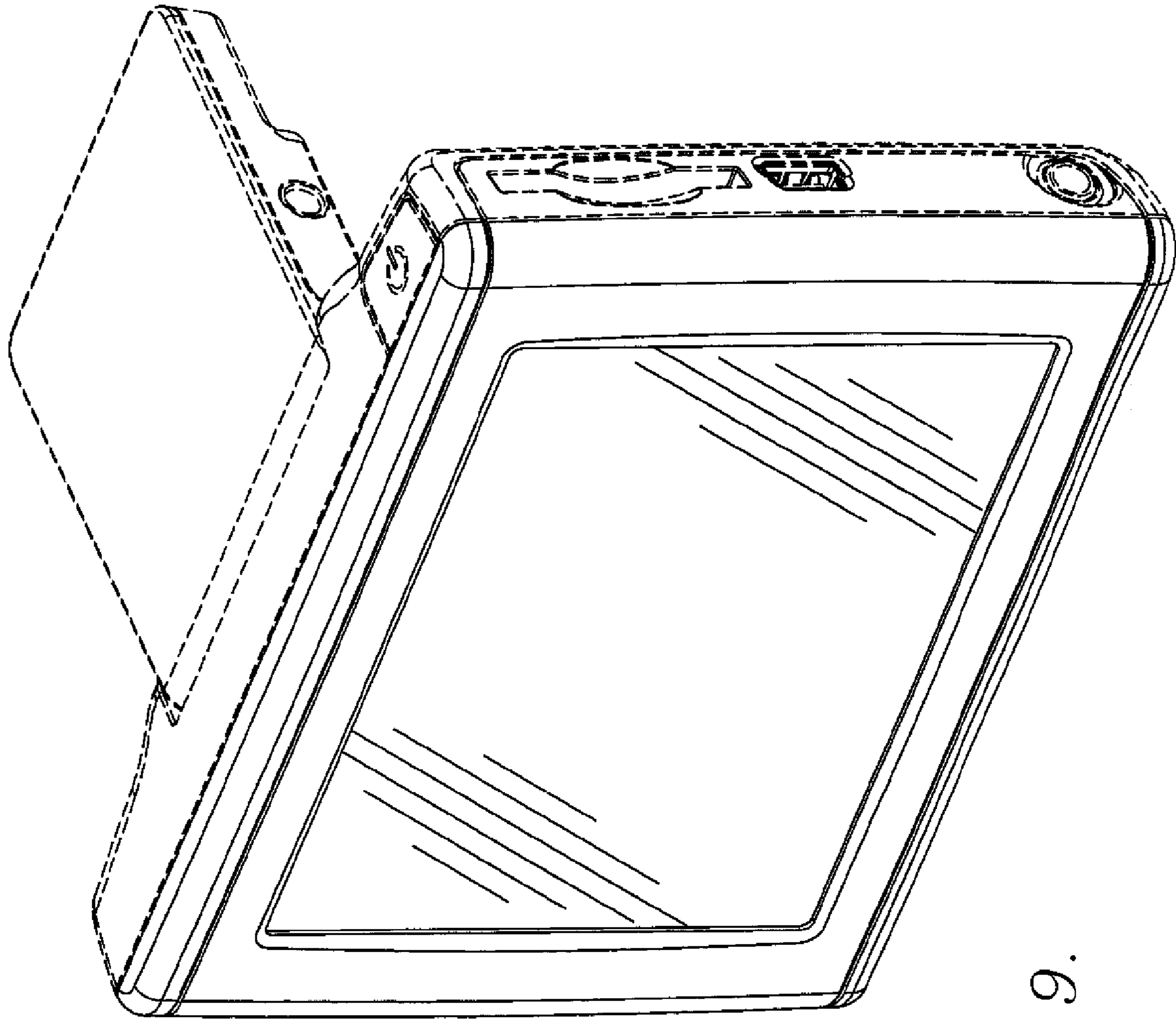


FIG. 9.

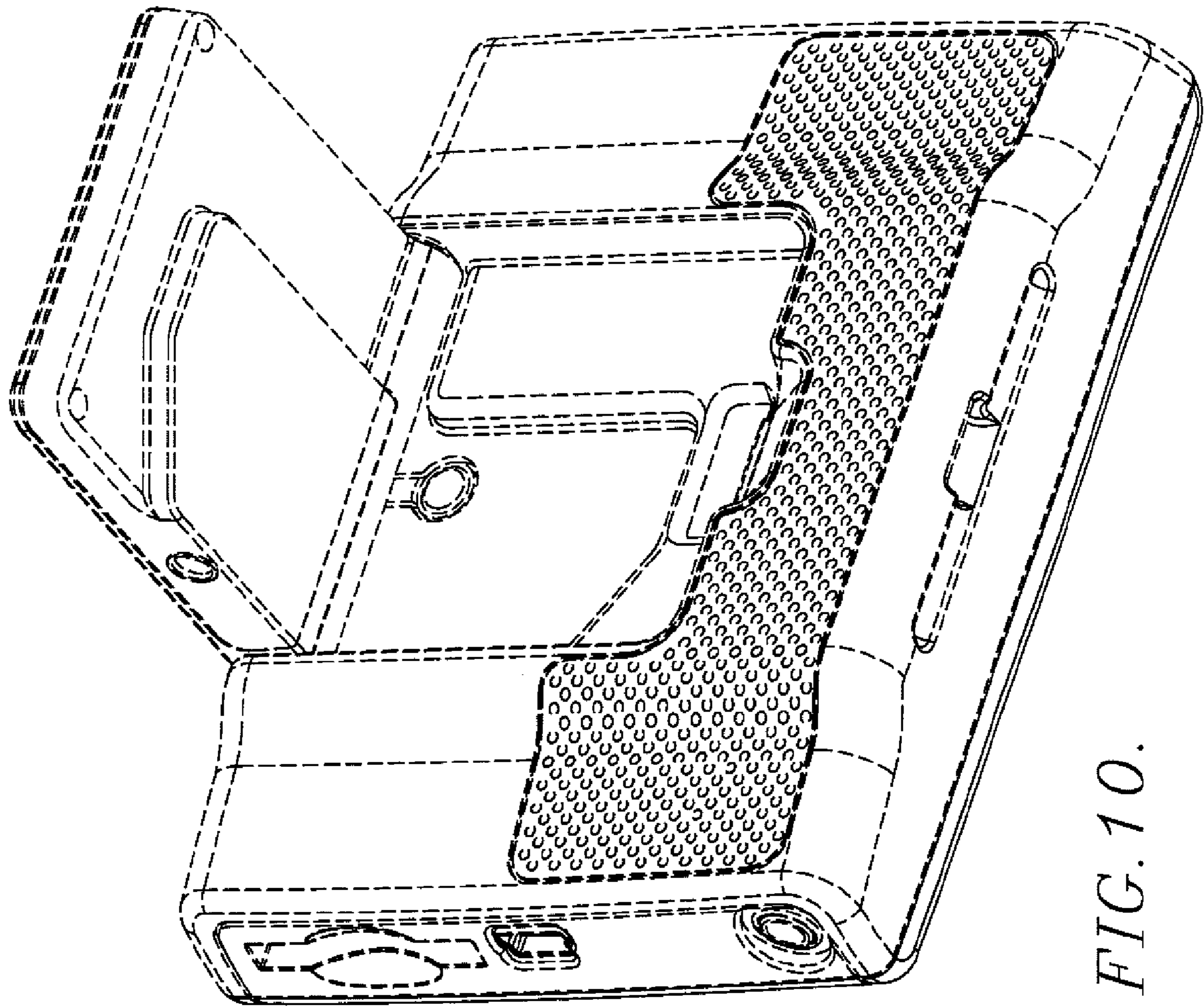


FIG. 10.