

US00D549601S

(12) **United States Design Patent**
Chan

(10) **Patent No.:** **US D549,601 S**

(45) **Date of Patent:** **** Aug. 28, 2007**

(54) **WEATHER MONITOR**

(75) Inventor: **Raymond Chan**, Hong Kong (HK)

(73) Assignee: **IDT Technology Limited**, Kowloon (HK)

(**) Term: **14 Years**

(21) Appl. No.: **29/231,760**

(22) Filed: **Jun. 8, 2005**

(30) **Foreign Application Priority Data**

Apr. 7, 2005 (HK) 0500687

(51) **LOC (8) Cl.** **10-04**

(52) **U.S. Cl.** **D10/52; D10/53**

(58) **Field of Classification Search** D10/52-56;
73/170.16, 170.17, 170, 170.11; 374/201-202,
374/208, 209

See application file for complete search history.

(56) **References Cited**

U.S. PATENT DOCUMENTS

D389,074 S * 1/1998 Chan D10/53

D393,600 S * 4/1998 Keller D10/52

D410,856 S * 6/1999 Timbel D10/52

6,637,933 B1 * 10/2003 Liao 374/142

D501,413 S * 2/2005 Starck D10/53

* cited by examiner

Primary Examiner—Antoine D. Davis

(74) *Attorney, Agent, or Firm*—Alix, Yale & Ristas, LLP

(57) **CLAIM**

The ornamental design for a weather monitor, as shown and described.

DESCRIPTION

FIG. 1 is a top plan view of a weather monitor showing my new design;

FIG. 2 is a bottom plan view thereof;

FIG. 3 is a front elevational view thereof;

FIG. 4 is a rear elevational view thereof;

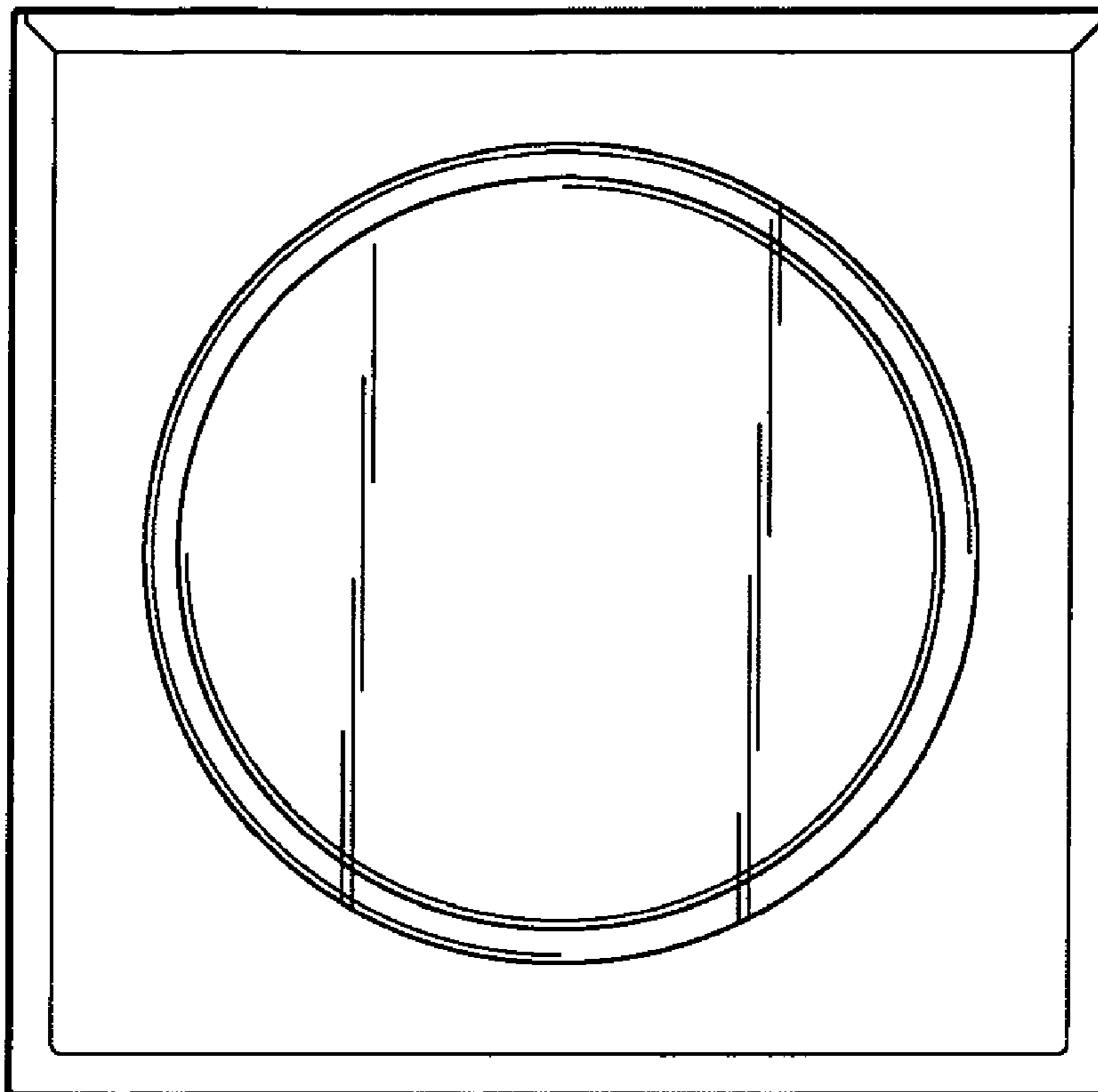
FIG. 5 is a left side elevational view thereof;

FIG. 6 is a right side elevational view thereof;

FIG. 7 is a front perspective view thereof; and,

FIG. 8 is a rear perspective view thereof.

1 Claim, 5 Drawing Sheets



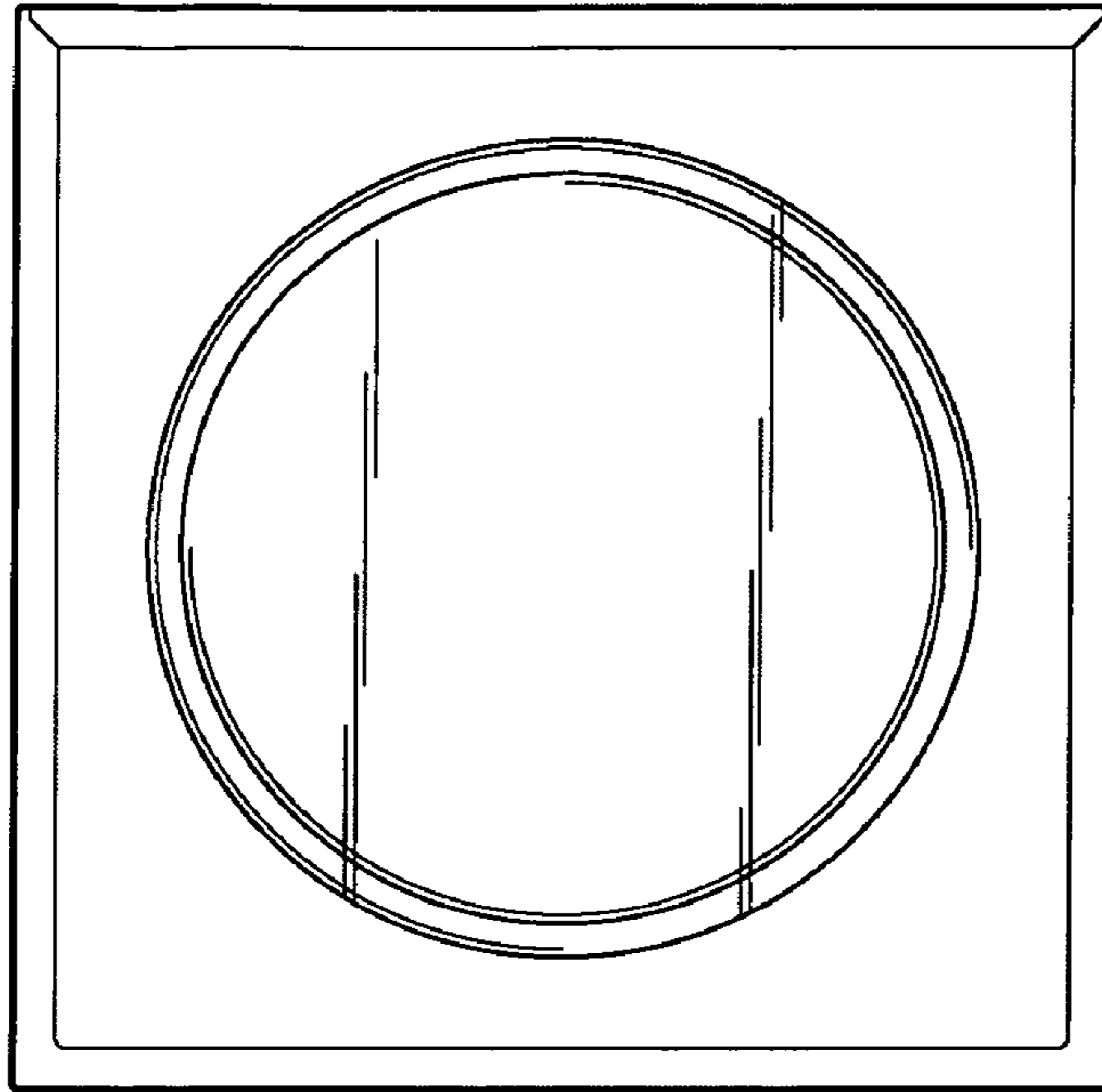


FIG. 1

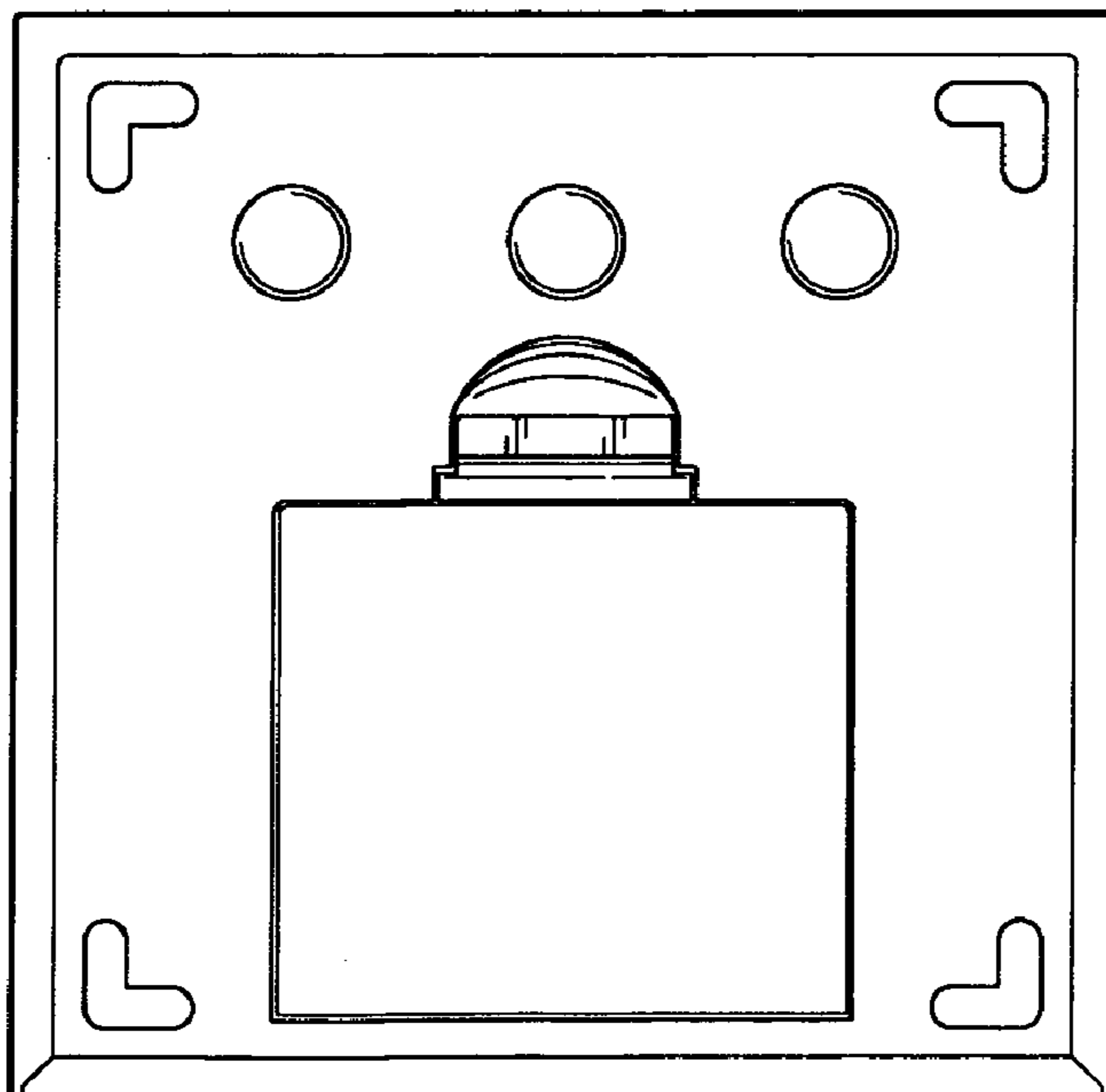


FIG. 2

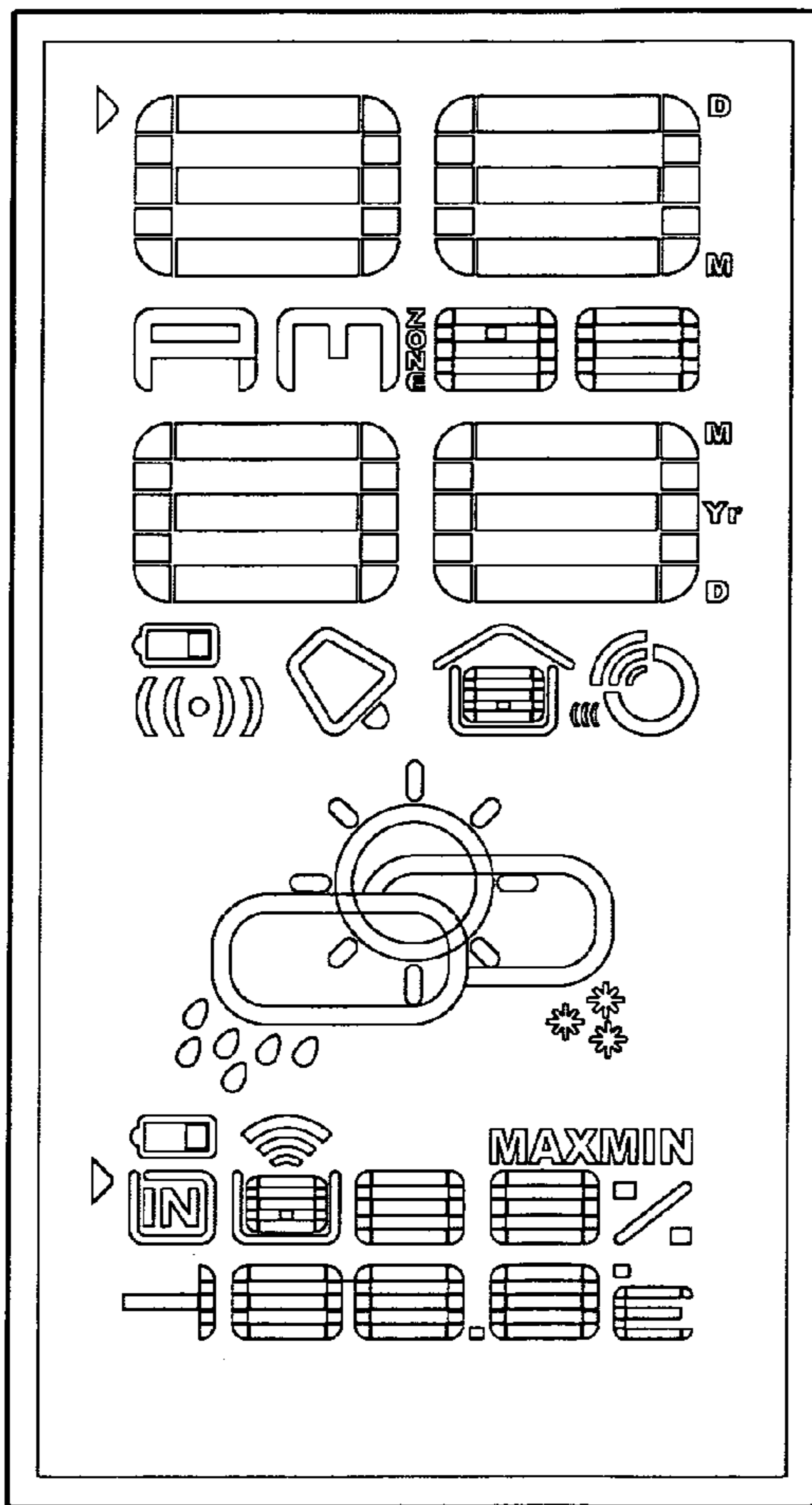


FIG. 3

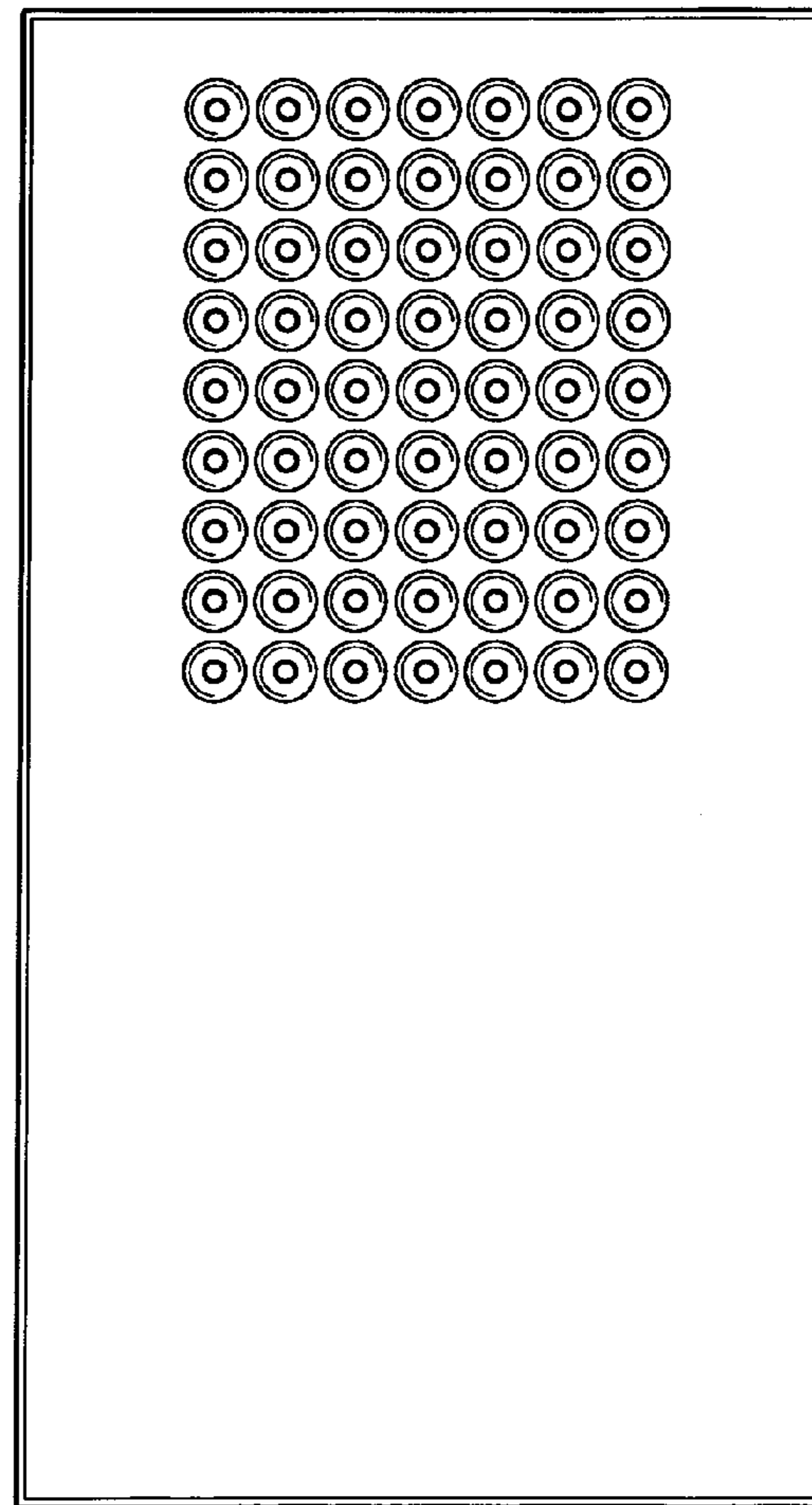


FIG. 4

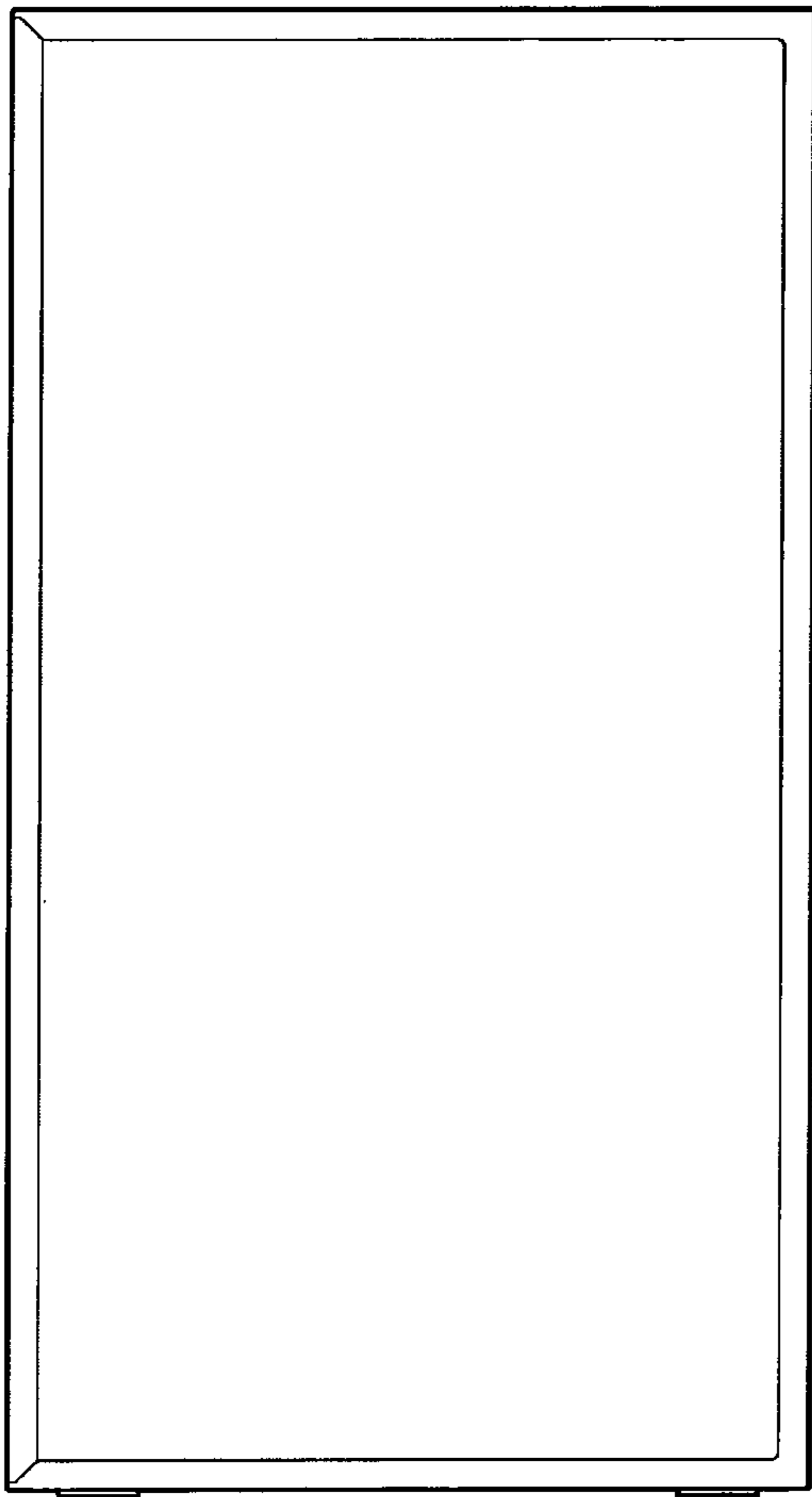


FIG. 5

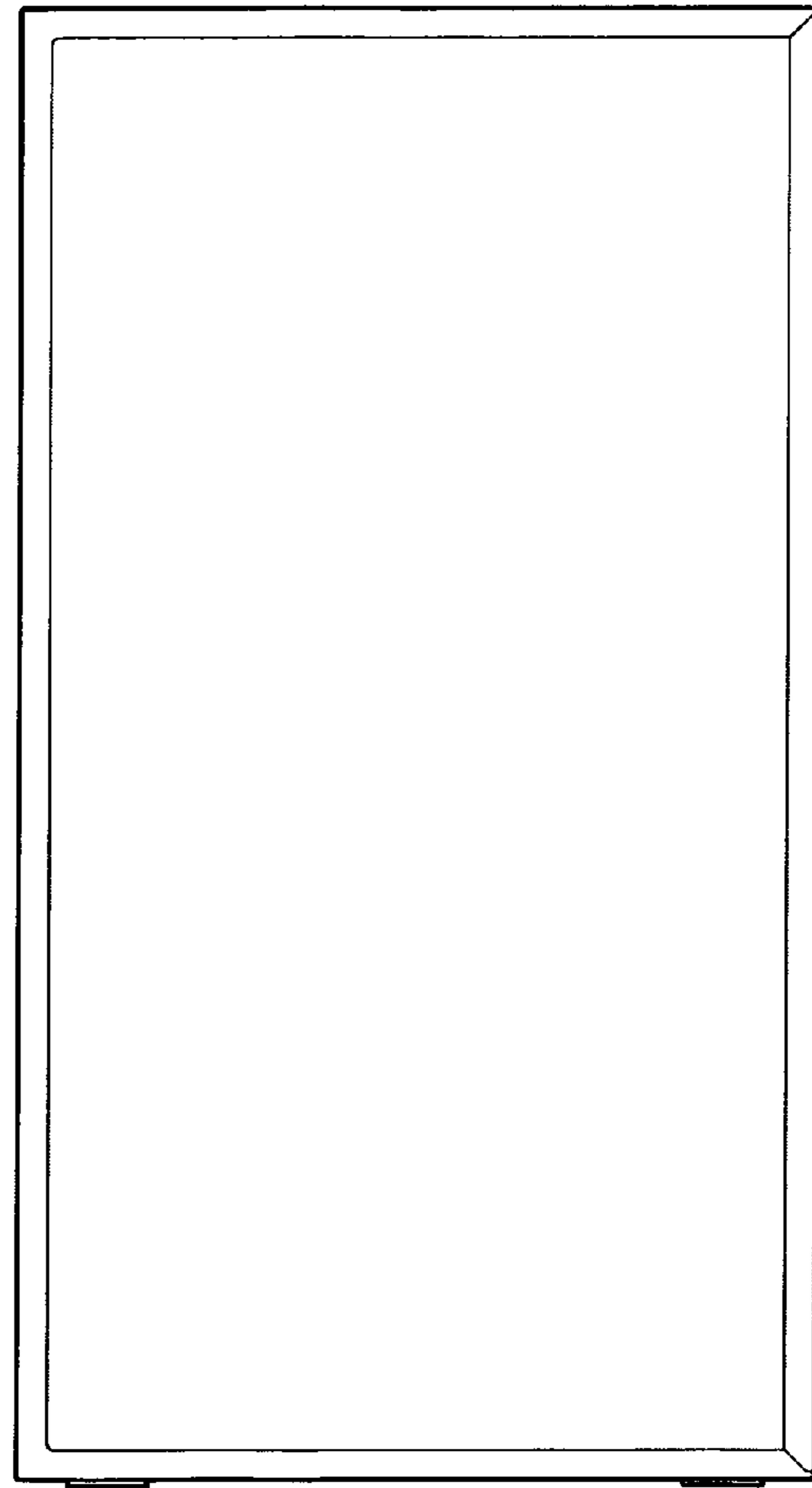


FIG. 6

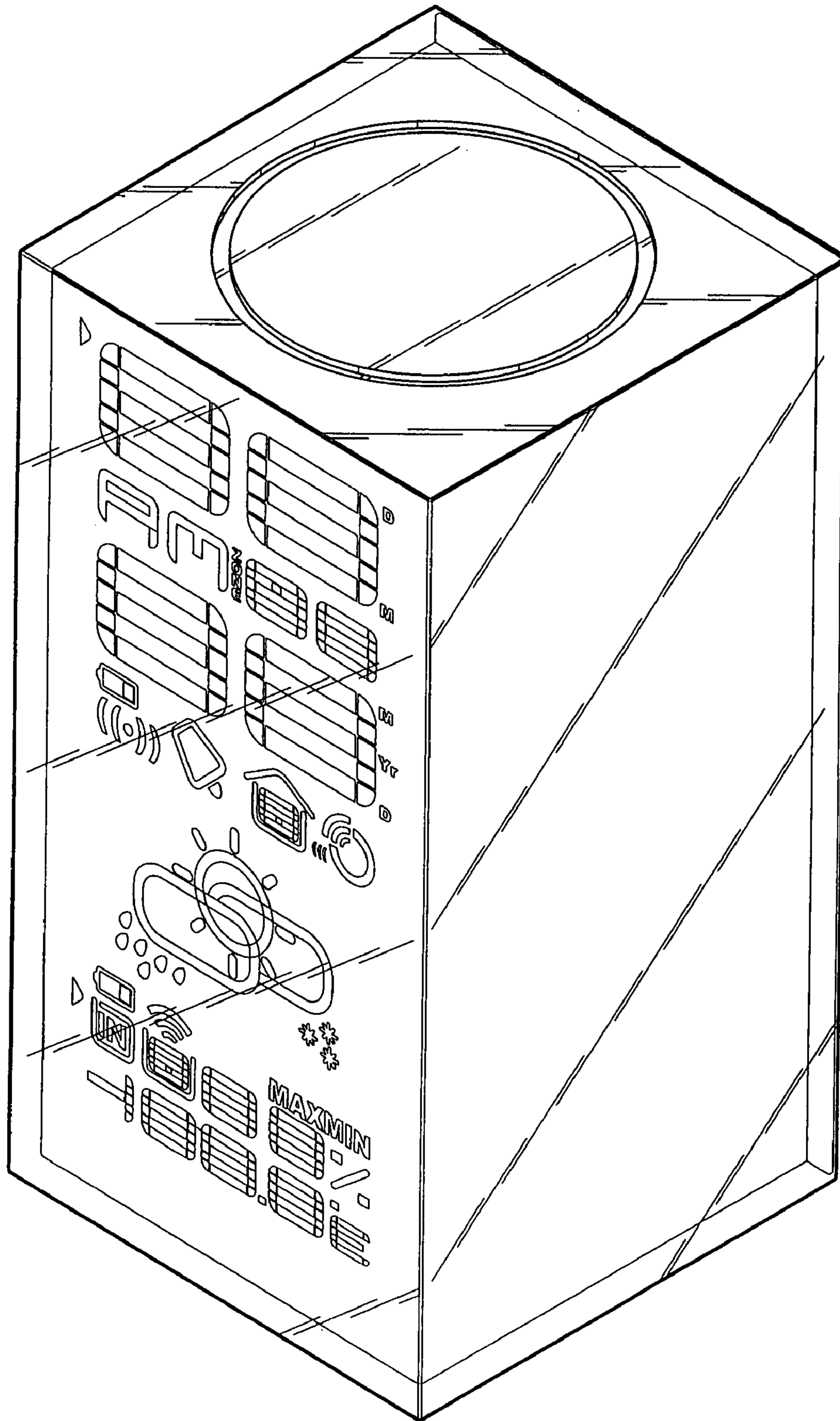


FIG. 7

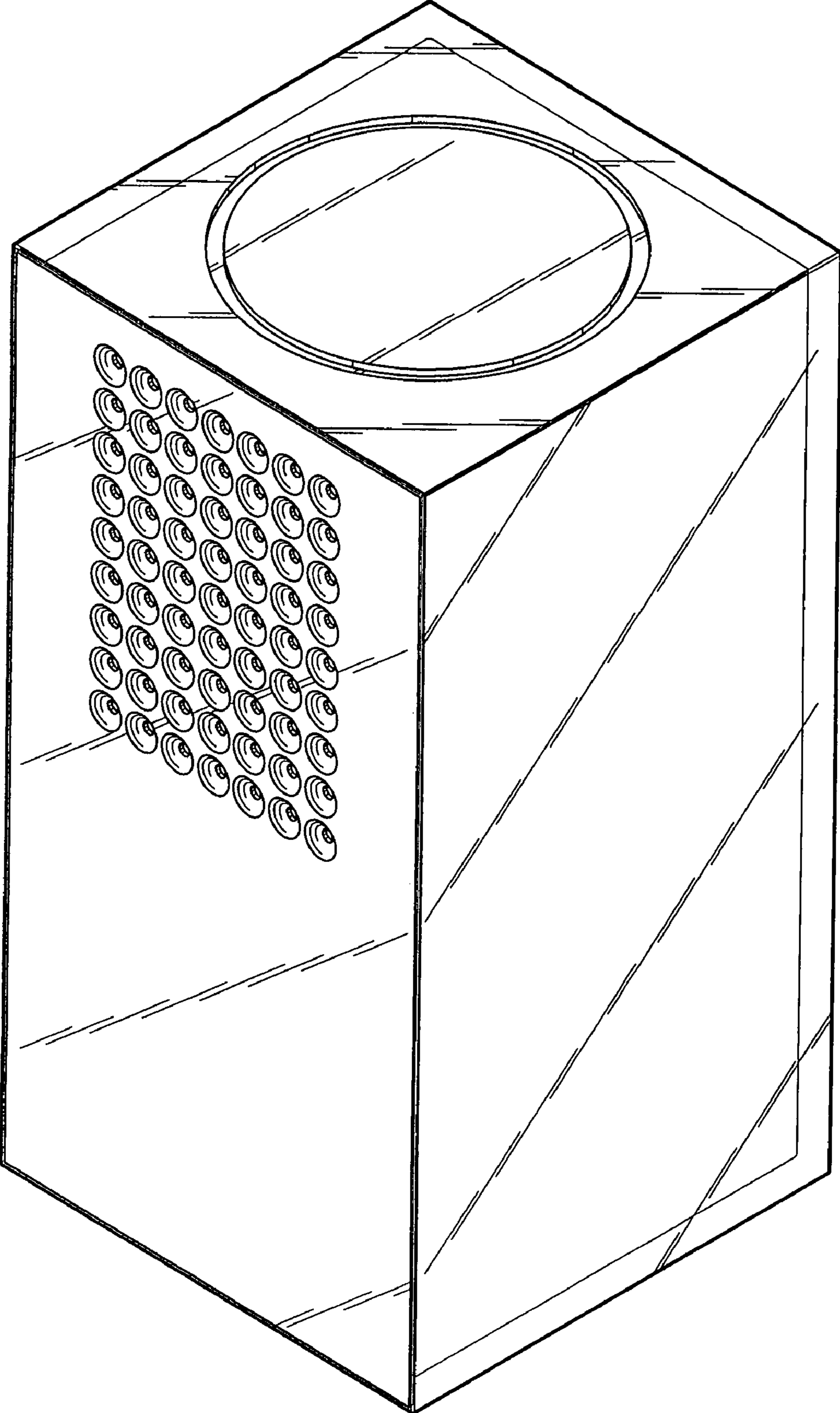


FIG. 8