

US00D549597S

(12) **United States Design Patent**
Kraus et al.

(10) **Patent No.:** **US D549,597 S**

(45) **Date of Patent:** **** Aug. 28, 2007**

(54) **WATCHCASE WITH LEAF SPRING**

(75) Inventors: **Stephanie Kraus**, Glendale, CA (US);
Chris Heatherly, Pasadena, CA (US);
Randal Ouye, La Crescenta, CA (US);
Julie Nishioka, Glendale, CA (US);
John Holland, San Francisco, CA (US);
Jeffrey Sand, San Francisco, CA (US)

(73) Assignee: **Disney Enterprises, Inc.**, Burbank, CA (US)

(**) Term: **14 Years**

(21) Appl. No.: **29/226,269**

(22) Filed: **Mar. 25, 2005**

Related U.S. Application Data

(63) Continuation-in-part of application No. 10/753,737, filed on Jan. 7, 2004, now Pat. No. 7,146,731.

(51) **LOC (8) Cl.** **10-02**

(52) **U.S. Cl.** **D10/31; D10/38**

(58) **Field of Classification Search** D10/31,
D10/32, 38, 39, 128; 369/276, 277, 281-283,
369/309, 316, 311-313; 224/164, 166, 167,
224/171, 174

See application file for complete search history.

(56) **References Cited**

U.S. PATENT DOCUMENTS

992,233	A *	5/1911	Myers	40/658
1,477,569	A *	12/1923	Lasko	368/281
D65,621	S	9/1924	Strasser	
2,101,690	A *	12/1937	Sauer, Jr.	368/286
2,367,091	A *	1/1945	Bloth	368/281
2,456,319	A *	12/1948	Read	224/166
2,637,887	A	5/1953	Goodman et al.	
2,654,929	A	10/1953	Feibelman	

2,711,068	A *	6/1955	Kelly	368/281
3,039,263	A *	6/1962	Wylar et al.	368/282
3,111,247	A *	11/1963	Just	368/286
3,214,685	A *	10/1965	Brenner	224/152
3,584,455	A *	6/1971	Sion	368/283

(Continued)

FOREIGN PATENT DOCUMENTS

EP 233-309 A 2/1986

OTHER PUBLICATIONS

Website (<http://www.greatmerchants.com/WatchBuddyTimepieces.ivnu>), Print date Dec. 21, 2005, 1 Page, (text only, no images).

Primary Examiner—Lucy Lieberman

(74) *Attorney, Agent, or Firm*—Greenberg Traurig, LLP

(57) **CLAIM**

The ornamental design for a watchcase with leaf spring, as shown and described.

DESCRIPTION

FIG. 1 is a rear view of the watchcase with leaf spring showing our new design;

FIG. 2 is a front view thereof;

FIG. 3 is a right side view thereof;

FIG. 4 is a left side view thereof;

FIG. 5 is a top view thereof;

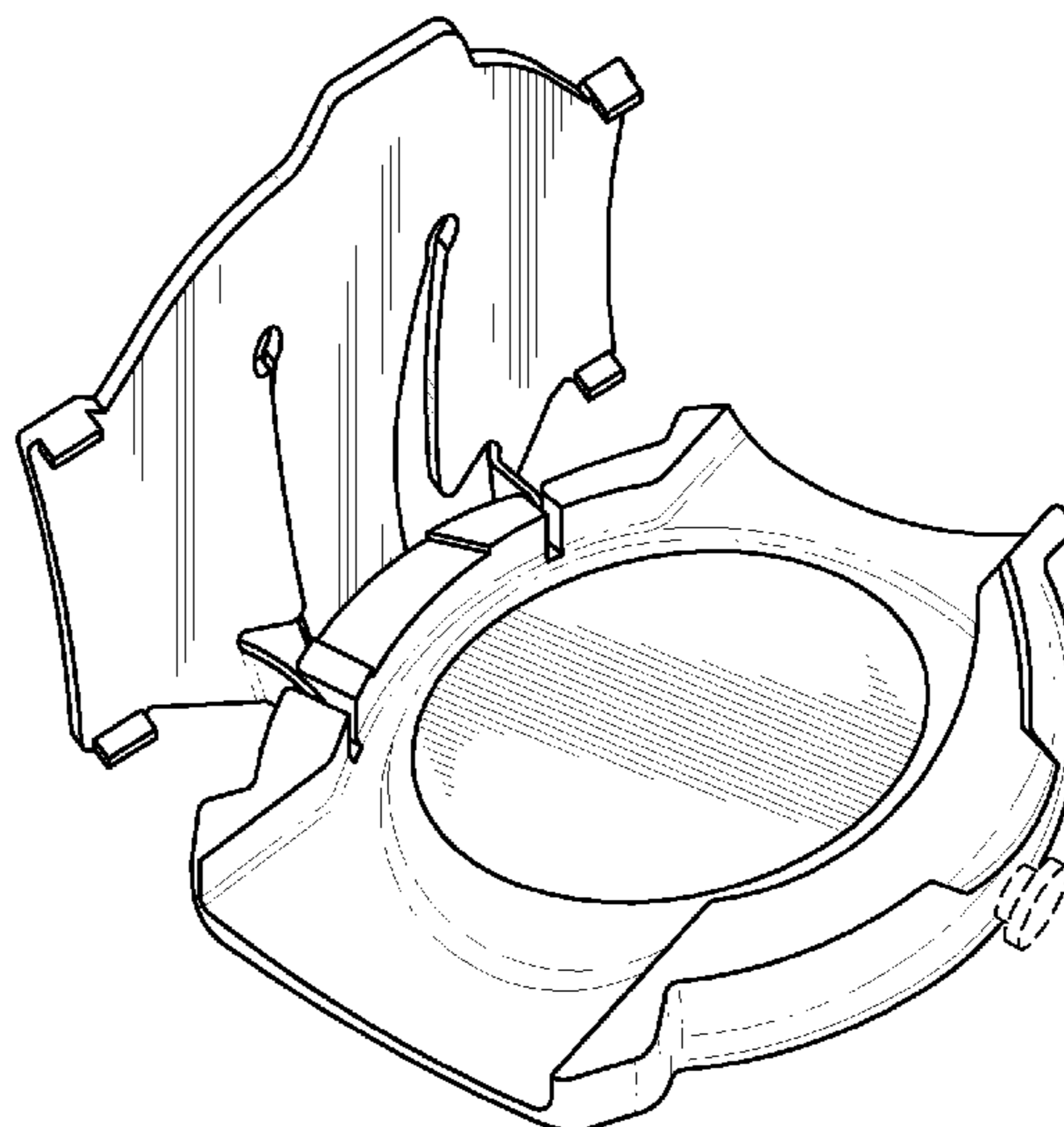
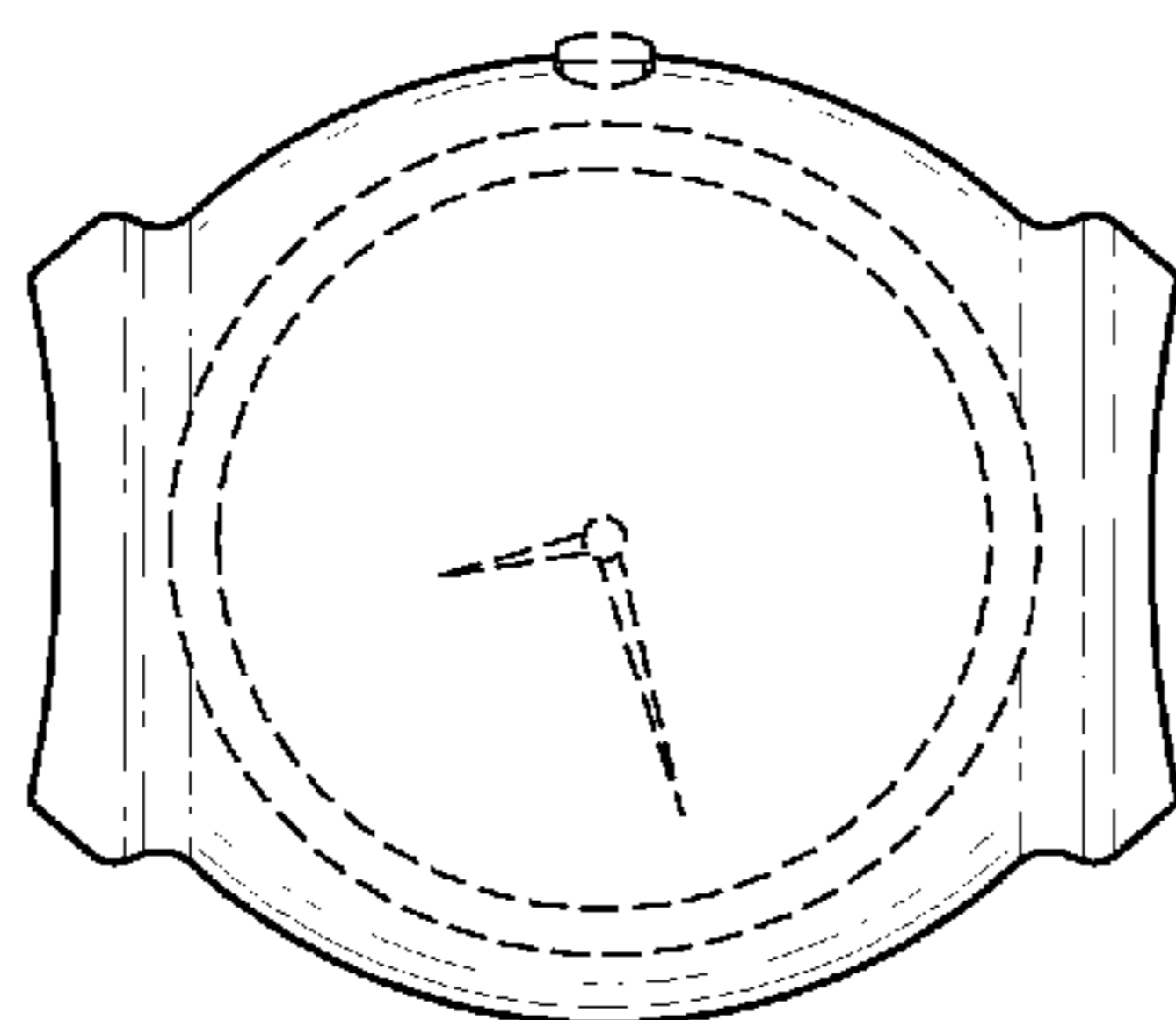
FIG. 6 is a bottom view thereof;

FIG. 7 is a right side view of the watchcase with leaf spring in open condition; and,

FIG. 8 is a rear perspective view of the watchcase with leaf spring shown in an open condition.

The broken lines are for illustrative purposes only and form no part of the claimed design.

1 Claim, 2 Drawing Sheets



US D549,597 S

Page 2

U.S. PATENT DOCUMENTS

D250,634 S *	12/1978	Porsche	D10/32	D379,940 S	6/1997	Riley	
4,332,020 A	5/1982	Leopold		5,701,640 A	12/1997	Locher	
4,571,199 A	2/1986	Murakami		D403,249 S *	12/1998	Murphy et al.	D10/32
D285,288 S	8/1986	Chau		D410,406 S	6/1999	Iwamoto et al.	
4,742,503 A *	5/1988	Braun et al.	368/282	D413,530 S *	9/1999	Flury et al.	D10/32
D296,992 S *	8/1988	Crocco	D10/32	D420,598 S *	2/2000	Wagenheim	D10/32
4,862,436 A *	8/1989	Harilela	368/282	D428,353 S	7/2000	Duncan	
D303,504 S	9/1989	Hysek		D432,433 S	10/2000	Bruni	
4,941,236 A	7/1990	Sherman et al.		6,130,861 A *	10/2000	Della Felice	368/276
D310,035 S *	8/1990	Braun et al.	D10/32	D445,698 S	7/2001	Bruni	
4,964,092 A *	10/1990	Brida	368/282	D454,801 S	3/2002	Moy	
4,974,218 A *	11/1990	Loth et al.	368/313	6,597,638 B2 *	7/2003	Droux	368/327
D325,877 S	5/1992	Fong		6,598,271 B2	7/2003	Nire	
D332,408 S	1/1993	Chodat et al.		D486,404 S	2/2004	Shriqui	
5,323,364 A *	6/1994	Hayashi et al.	368/276	6,779,917 B1	8/2004	Chappuis	
D349,864 S	8/1994	Dunlap et al.		D505,086 S *	5/2005	Fernandez	D10/39
D356,269 S	3/1995	Milovanovic		D507,498 S	7/2005	Hung	
D356,270 S *	3/1995	Kaneko	D10/32	D508,419 S *	8/2005	Heatherly et al.	D10/39
D362,396 S *	9/1995	Chester	D10/32	6,991,364 B2	1/2006	Yang	
5,631,879 A *	5/1997	Pequignet	368/282				

* cited by examiner

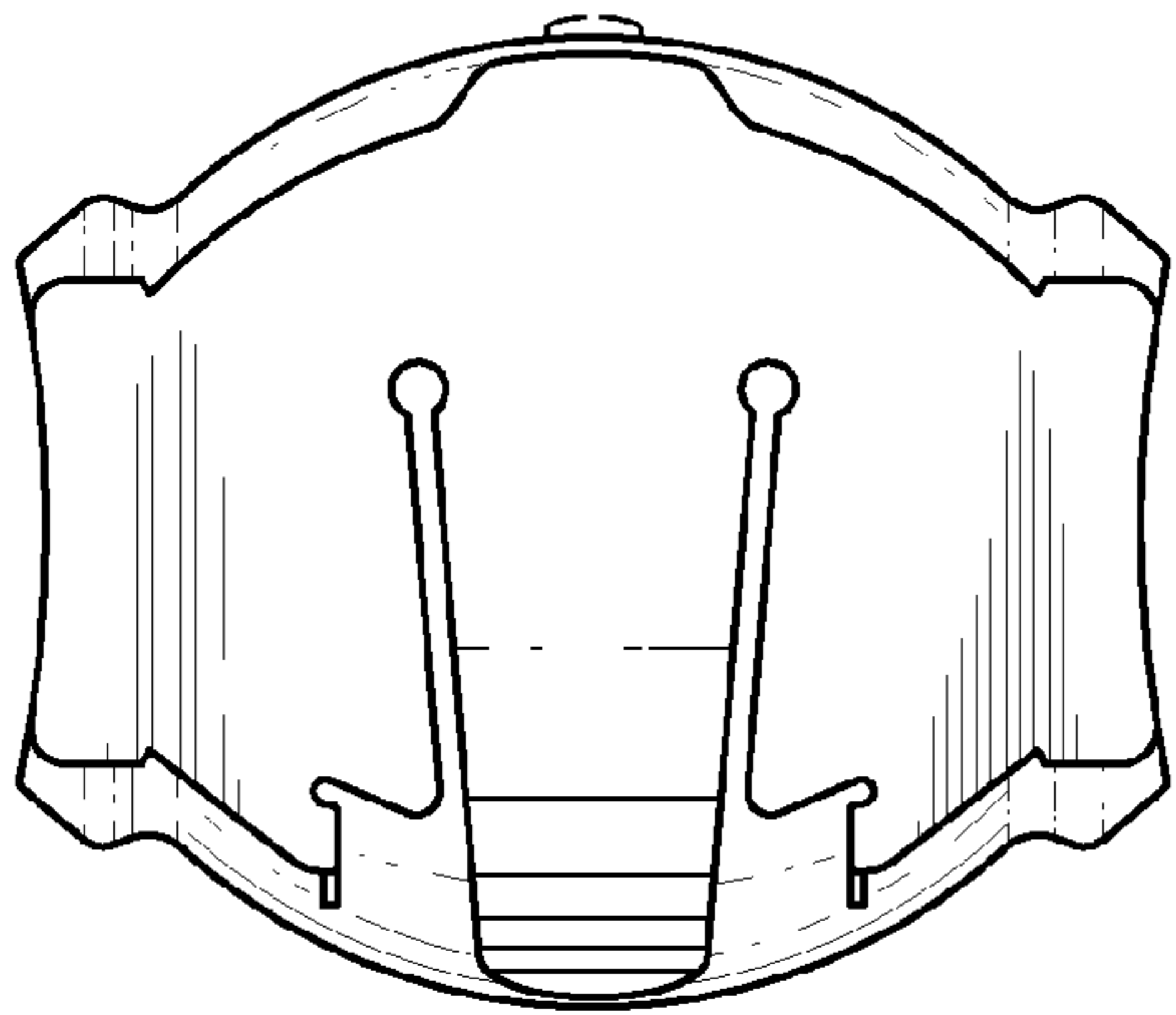


FIG. 1

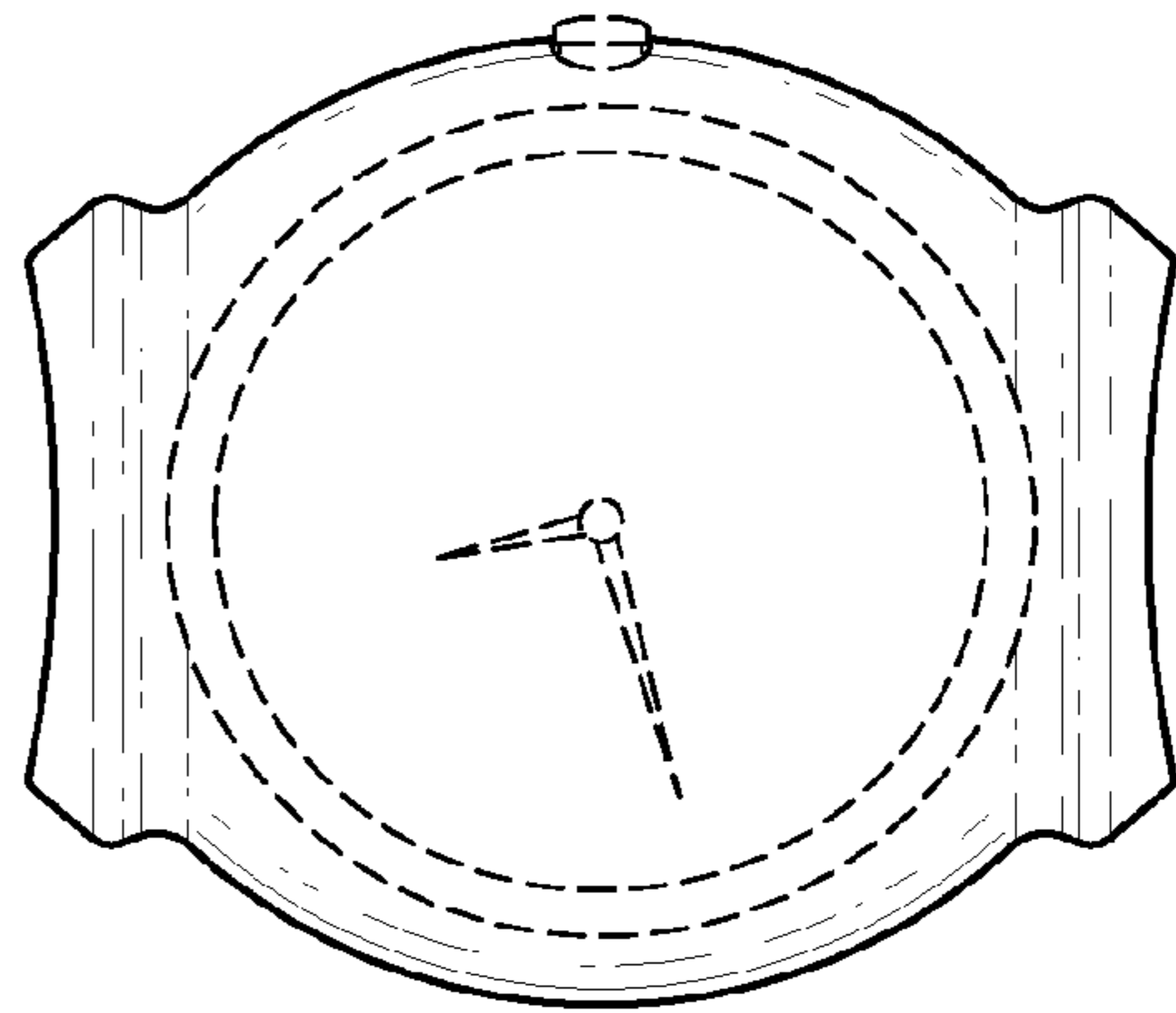


FIG. 2

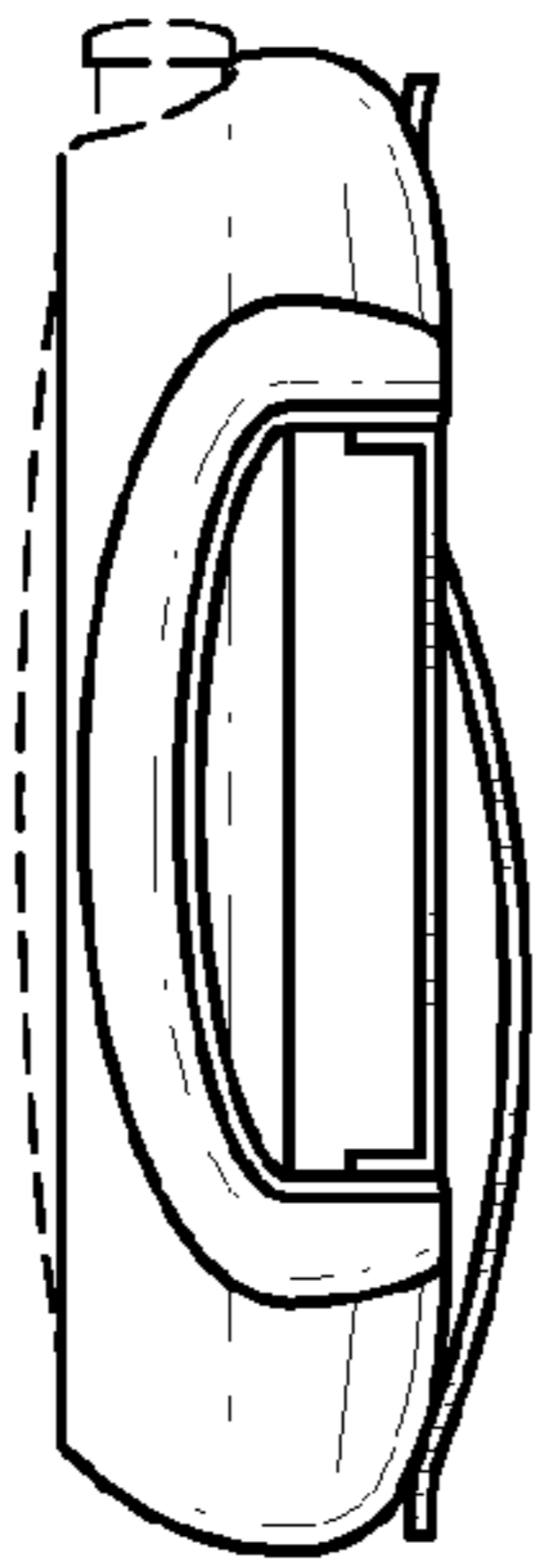


FIG. 3

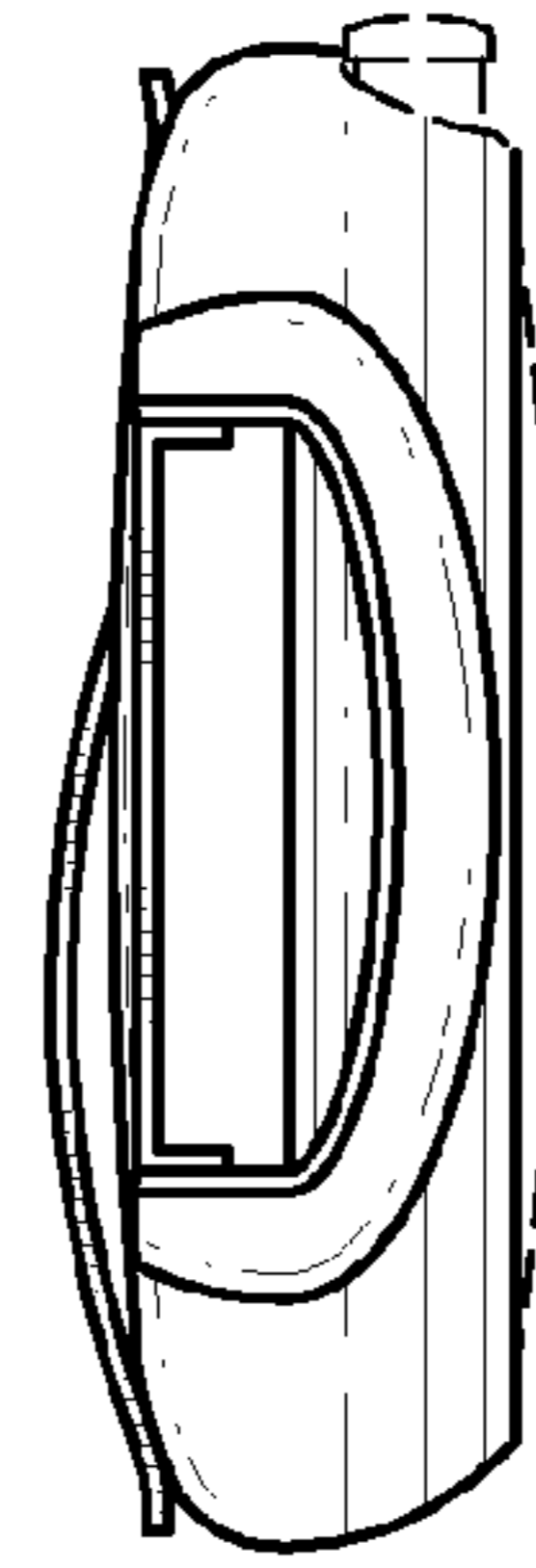


FIG. 4



FIG. 5

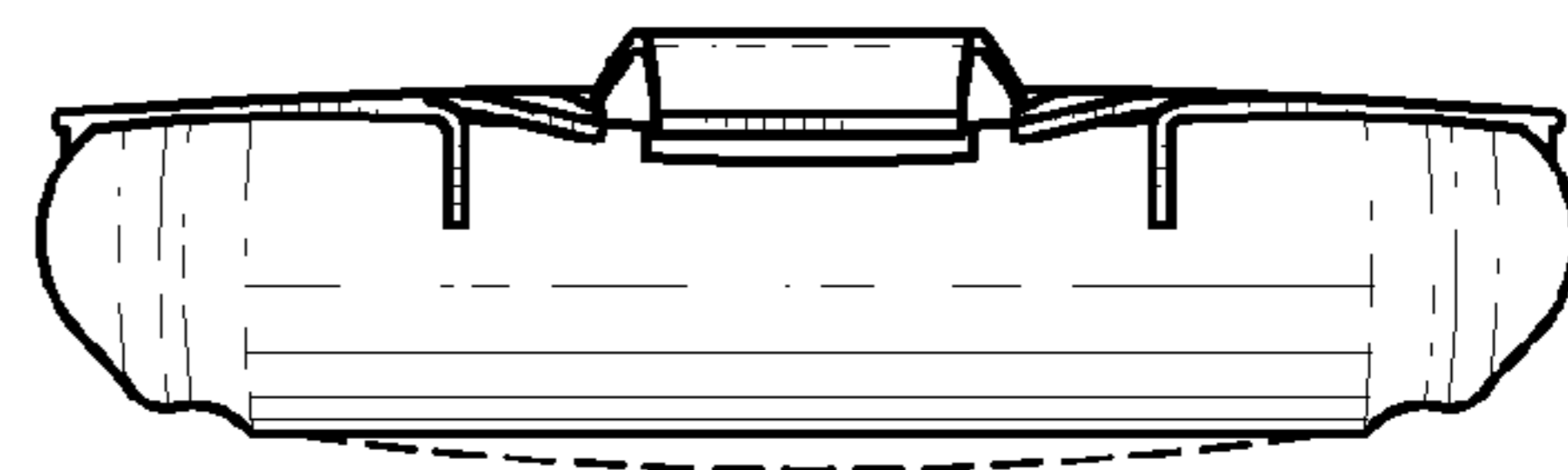


FIG. 6

FIG. 7

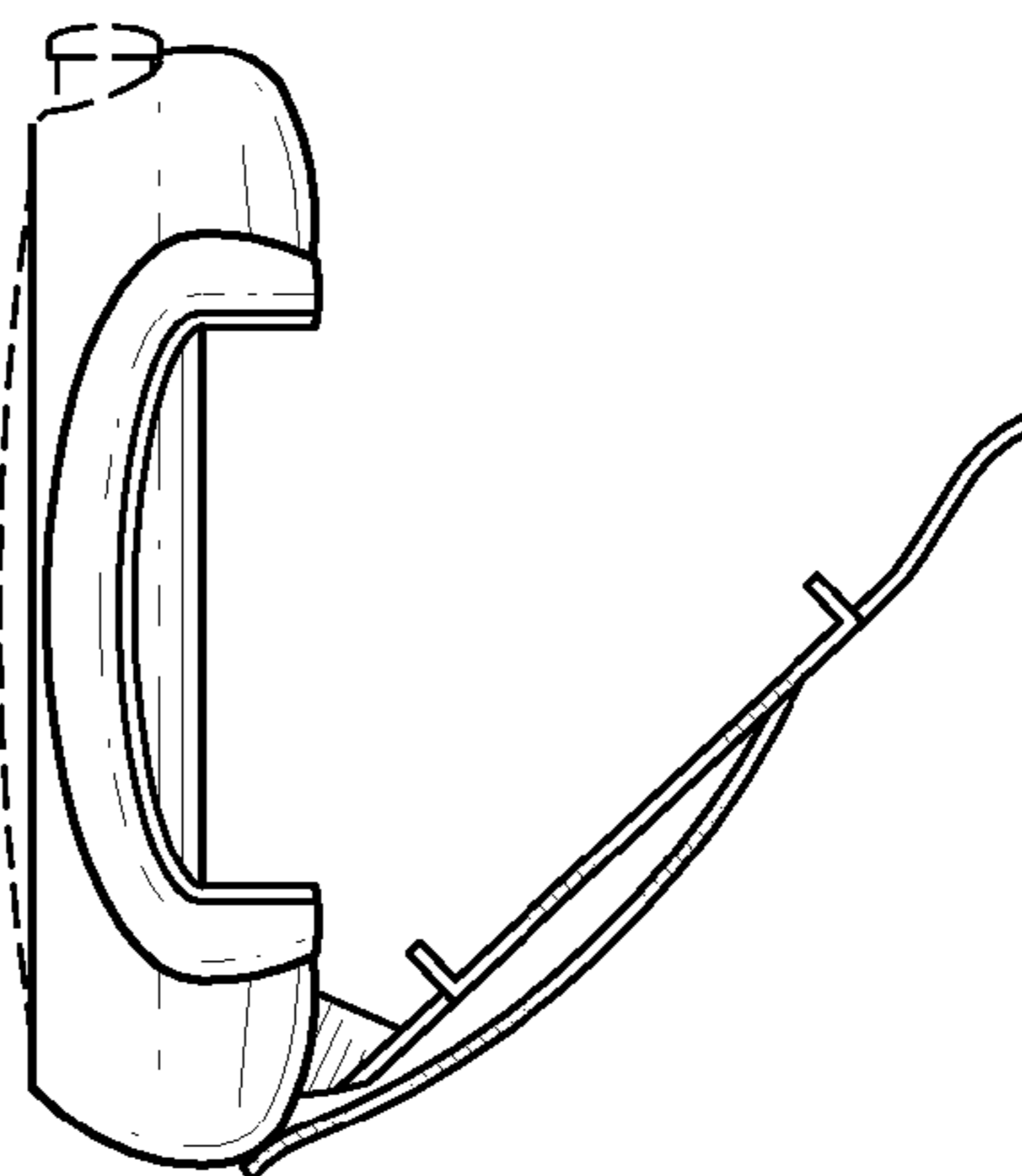
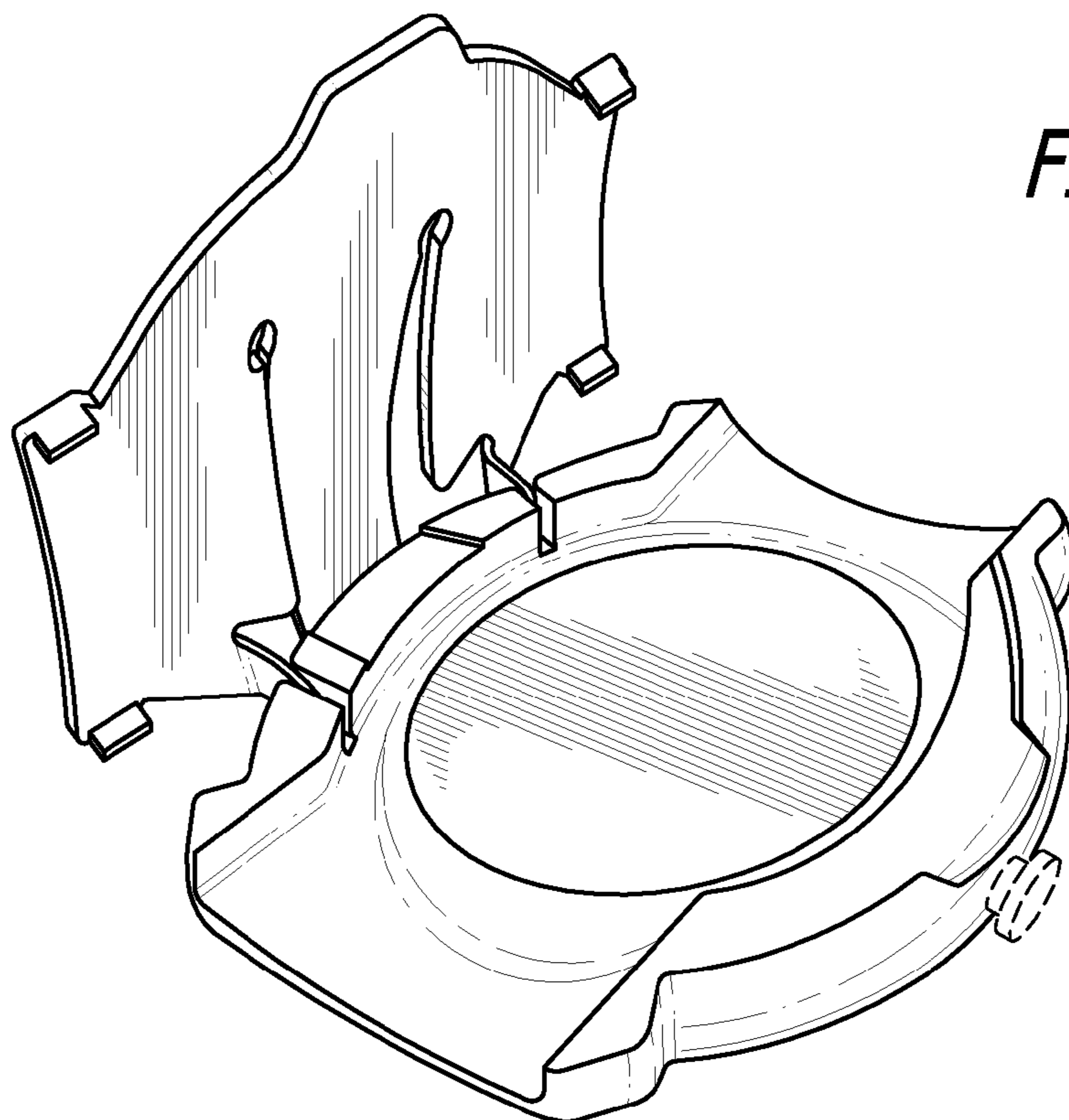


FIG. 8



UNITED STATES PATENT AND TRADEMARK OFFICE
CERTIFICATE OF CORRECTION

PATENT NO. : Des. 549,597 S
APPLICATION NO. : 29/226269
DATED : August 28, 2007
INVENTOR(S) : Stephanie Kraus et al.

Page 1 of 1

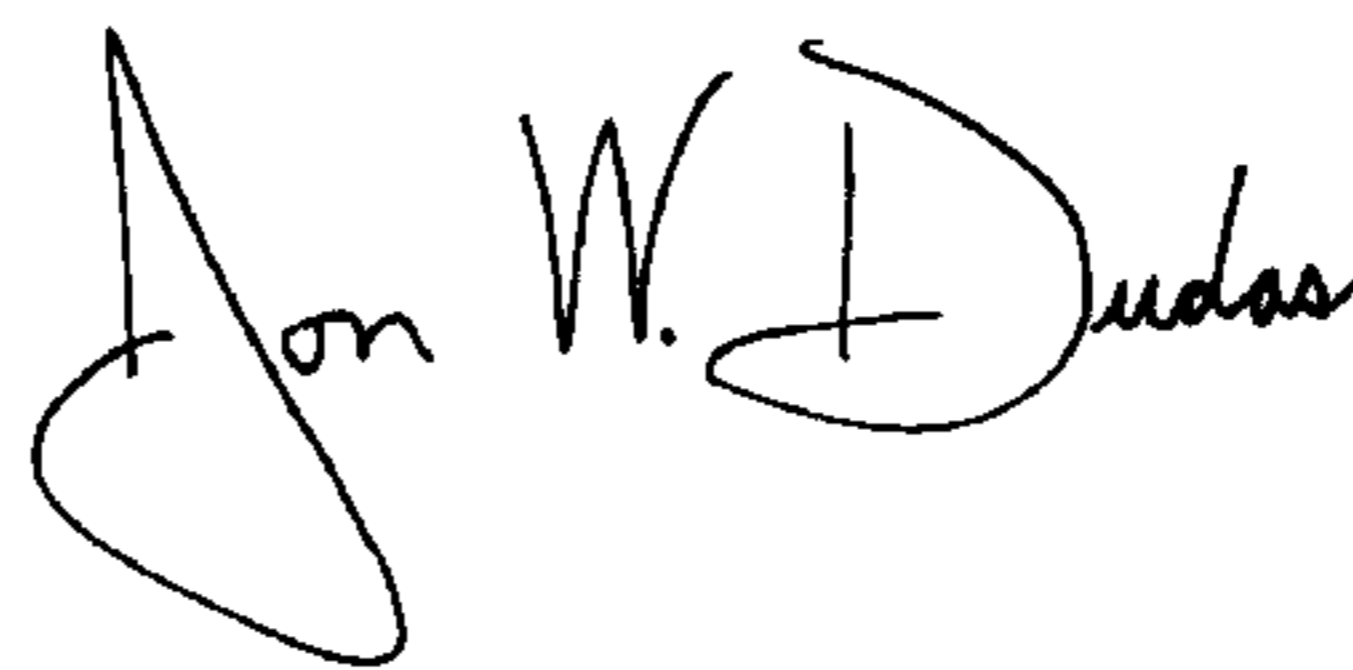
It is certified that error appears in the above-identified patent and that said Letters Patent is hereby corrected as shown below:

On the title page Item [63]
Under Related U.S. Application Data

After "Pat. No. 7,146,731." Insert --; Provisional Application No. 60/516,661, filed on October 31, 2003, and Provisional Application No. 60/438,755, filed on January 7, 2003.

Signed and Sealed this

Twelfth Day of February, 2008

A handwritten signature in black ink that reads "Jon W. Dudas". The signature is written in a cursive style with a large, looped initial "J".

JON W. DUDAS
Director of the United States Patent and Trademark Office