

US00D549594S

(12) **United States Design Patent** (10) **Patent No.:** **US D549,594 S**
Steele (45) **Date of Patent:** **** Aug. 28, 2007**

(54) **SIDE ACCESS FLEXIBLE PACKAGE**

WO WO 02/079049 A1 10/2002
WO WO 2005/007528 A1 1/2005

(76) Inventor: **Mark Steele**, 1007 Lexington Ave.
North, New Prague, MN (US) 56071

OTHER PUBLICATIONS

(**) Term: **14 Years**

“ProPak—the next generation in multiwall package design”,
1 page.

(21) Appl. No.: **29/254,969**

“Frustration With Traditional Multiwall Bag Functionality
Sparks Design Overhaul”, *bnp Linx*, 2 pages, Dec. 20, 2002.

(22) Filed: **Mar. 2, 2006**

Primary Examiner—Stella Reid

Assistant Examiner—Mark Goodwin

(74) *Attorney, Agent, or Firm*—Patterson, Thunte, Skaar
Christensen P.A.

Related U.S. Application Data

(63) Continuation of application No. 10/396,295, filed on Mar.
25, 2003, now Pat. No. 7,040,810.

(57) **CLAIM**

(51) **LOC (8) Cl.** **09-05**

I claim the ornamental design for side access flexible
package, as shown and described.

(52) **U.S. Cl.** **D9/707**

(58) **Field of Classification Search** D9/702–711;
383/7, 127, 66, 10, 63, 210, 906, 211, 61.2,
383/86, 210.1, 203; 53/133.4, 133.5, 139.12;
229/214; 493/114, 394

DESCRIPTION

See application file for complete search history.

FIG. 1 is a front perspective view of a side access flexible
package according to a first embodiment of the invention.
FIG. 2 is a front perspective view of an opened side access
flexible package according to the first embodiment of the
invention.

(56) **References Cited**

U.S. PATENT DOCUMENTS

| | | | | | |
|-------------|---|---------|-------------|-------|--------|
| D31,266 S | * | 7/1899 | Bates | | D9/705 |
| 1,980,104 A | | 11/1934 | Silverspitz | | |
| 3,367,380 A | | 2/1968 | Dickey | | |
| 3,642,189 A | | 2/1972 | Widenback | | |
| 4,332,344 A | | 6/1982 | Strothoff | | |

FIG. 3 is a front perspective view of a side access flexible
package according to the first embodiment of the invention.
FIG. 4 is a front perspective view of an opened side access
flexible package according to the first embodiment of the
invention.

(Continued)

FOREIGN PATENT DOCUMENTS

| | | | | | |
|----|--|--------------|----|--|---------|
| AT | | 280720 | | | 11/2004 |
| CA | | 2438788 | A1 | | 10/2002 |
| DE | | 60201737 | T2 | | 12/2005 |
| EP | | 1368249 | B1 | | 10/2004 |
| FR | | 2821610 | A1 | | 9/2002 |
| FR | | 2856661 | A3 | | 12/2004 |
| WO | | WO 96/40582 | | | 12/1996 |
| WO | | WO 02/079044 | A1 | | 10/2002 |

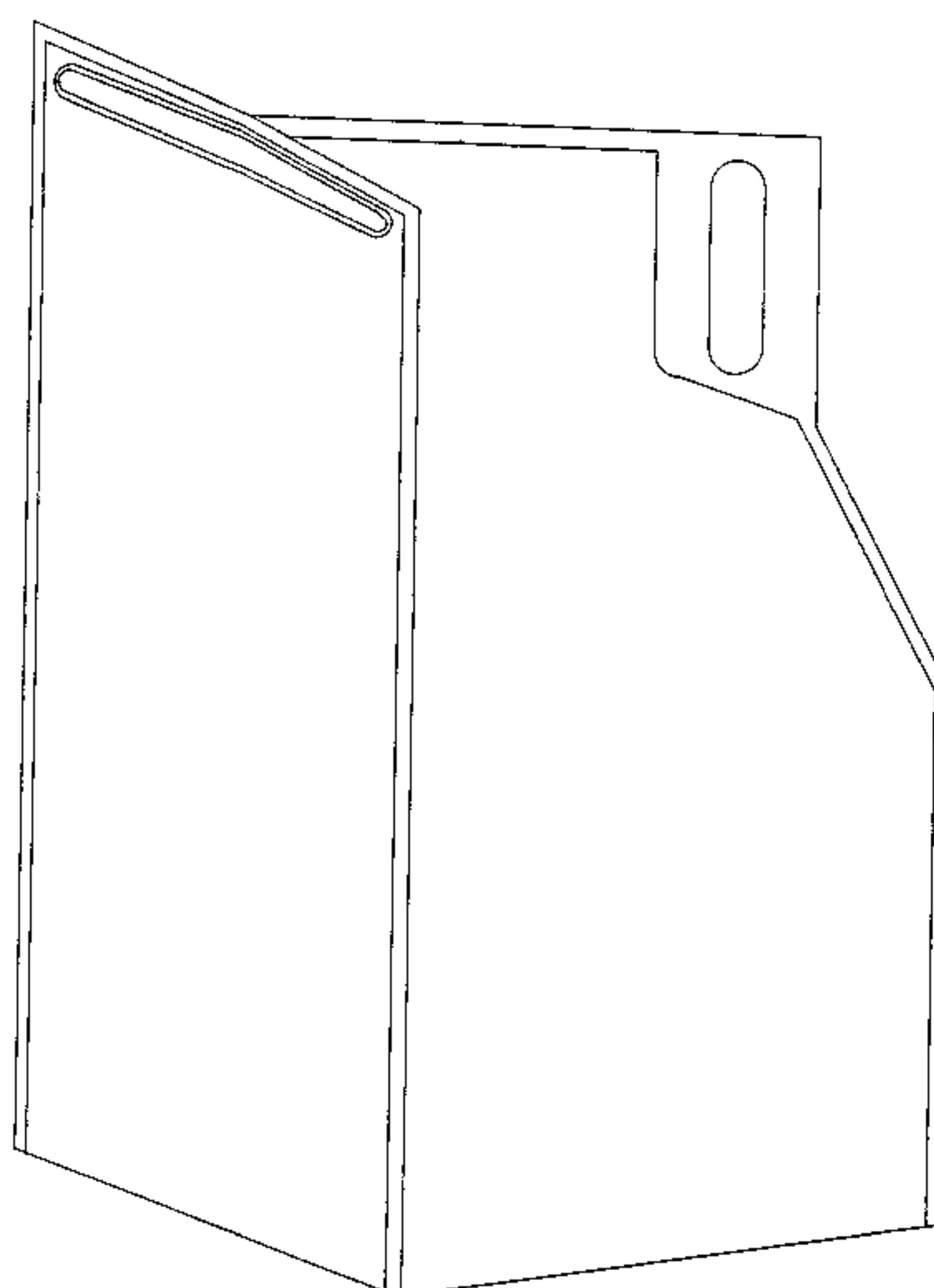
FIG. 5 is a front perspective view of a side access flexible
package according to a second embodiment of the invention;
and,

FIG. 6 is a front perspective view of an opened side access
flexible package according to the second embodiment of the
invention.

The broken lines are for illustrative purposes only and form
no part of the claimed design.

The portions not shown in the above figures are not claimed
as part of the invention.

1 Claim, 3 Drawing Sheets



US D549,594 S

| U.S. PATENT DOCUMENTS | | | | | |
|-----------------------|---------|-------------------|-------------------|---------|-----------------------------|
| | | | 6,044,621 A | 4/2000 | Malin et al. |
| | | | 6,053,635 A | 4/2000 | Anderson et al. |
| 4,909,017 A | 3/1990 | McMahon et al. | 6,065,872 A | 5/2000 | Johnson |
| 4,913,561 A | 4/1990 | Beer | 6,065,873 A | 5/2000 | Fowler |
| 5,050,736 A | 9/1991 | Griesbach et al. | 6,079,878 A | 6/2000 | Yeager |
| 5,059,036 A | 10/1991 | Richison et al. | 6,106,153 A | 8/2000 | Toshima |
| 5,060,803 A | 10/1991 | Beer et al. | 6,115,892 A | 9/2000 | Malin et al. |
| 5,147,272 A | 9/1992 | Richison et al. | 6,164,826 A | 12/2000 | Petkovsek |
| 5,254,073 A | 10/1993 | Richison et al. | 6,176,615 B1 | 1/2001 | Leimkuehler |
| 5,461,845 A | 10/1995 | Yeager | 6,177,172 B1 | 1/2001 | Yeager |
| 5,547,284 A | 8/1996 | Imer | 6,186,663 B1 | 2/2001 | Ausnit |
| 5,558,438 A * | 9/1996 | Warr 383/10 | 6,193,416 B1 | 2/2001 | Kawamata et al. |
| 5,611,626 A | 3/1997 | Warr | 6,224,262 B1 | 5/2001 | Hogan et al. |
| 5,672,009 A | 9/1997 | Malin | 6,270,257 B1 | 8/2001 | Yeager |
| 5,692,837 A | 12/1997 | Beer | D452,144 S * | 12/2001 | Tedeschi et al. D9/707 |
| 5,716,473 A | 2/1998 | Gordon et al. | 6,327,837 B1 | 12/2001 | Van Erden |
| 5,782,733 A | 7/1998 | Yeager | 6,350,058 B1 | 2/2002 | Linton |
| 5,788,378 A | 8/1998 | Thomas | 6,478,465 B1 | 11/2002 | Thrall |
| 5,806,984 A | 9/1998 | Yeager | D468,195 S * | 1/2003 | Bell D9/707 |
| 5,828,933 A | 10/1998 | Rees et al. | 6,516,850 B1 | 2/2003 | Blohowiak et al. |
| 5,829,884 A | 11/1998 | Yeager | 6,572,267 B1 | 6/2003 | Forman |
| 5,882,117 A | 3/1999 | Laffon | 6,820,391 B2 | 11/2004 | Barmore et al. |
| 5,902,047 A | 5/1999 | Yeager | 6,971,794 B2 | 12/2005 | Yeager |
| 5,951,453 A | 9/1999 | Yeager | 2003/0041564 A1 * | 3/2003 | Schmidt 383/10 |
| 5,954,433 A | 9/1999 | Yeager | 2003/0147565 A1 * | 8/2003 | Plourde et al. 383/66 |
| 5,972,396 A | 10/1999 | Jurgovan et al. | 2004/0011483 A1 | 6/2004 | Colas et al. |
| 6,019,512 A | 2/2000 | Yeager | 2004/0136619 A1 | 7/2004 | Spork et al. |
| 6,021,624 A | 2/2000 | Richison et al. | 2004/0208398 A1 * | 10/2004 | Ichikawa et al. 383/63 |
| 6,023,914 A | 2/2000 | Richison et al. | | | |
| 6,040,033 A | 3/2000 | Johnson | | | |

* cited by examiner

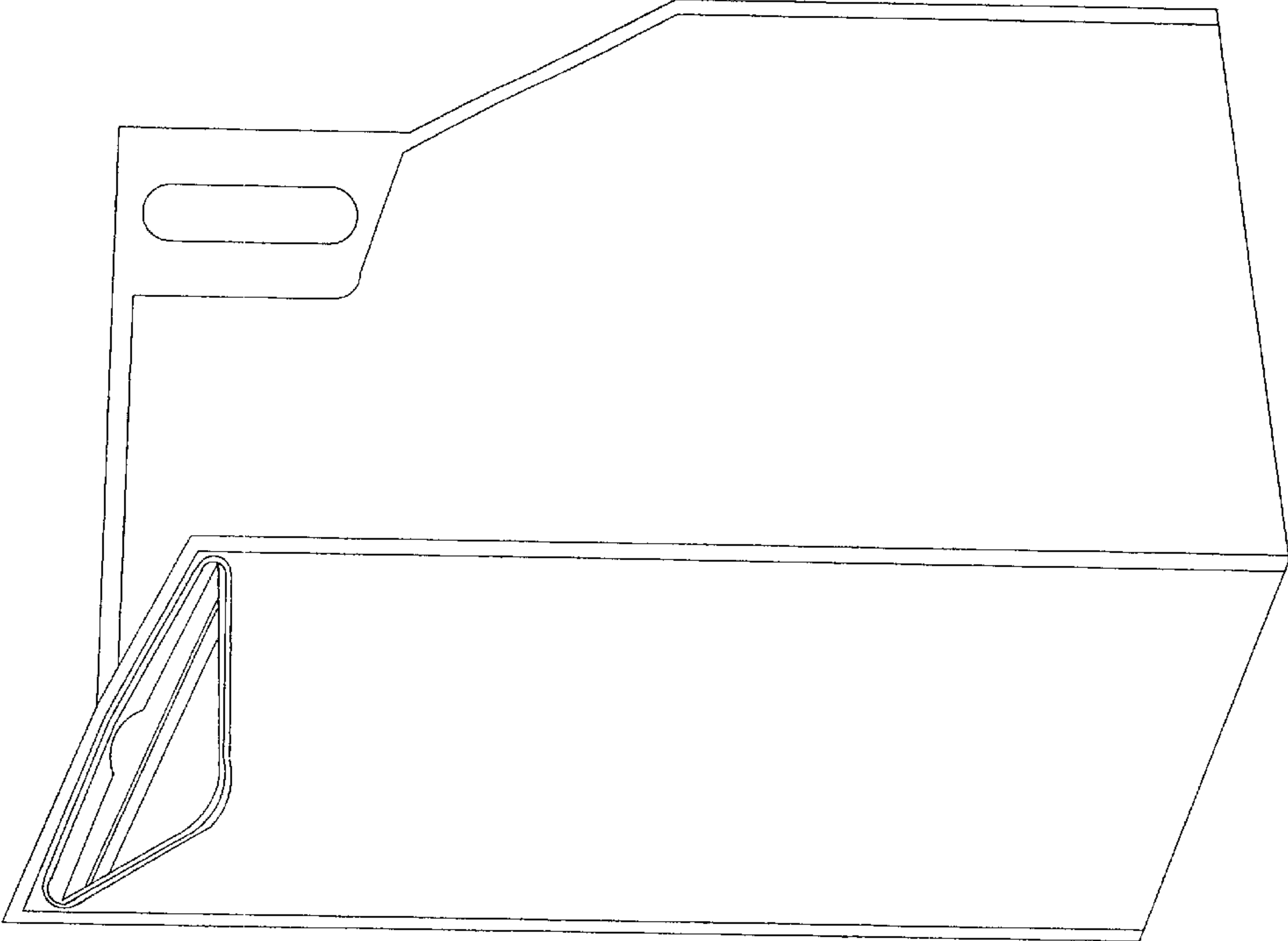


Fig. 1

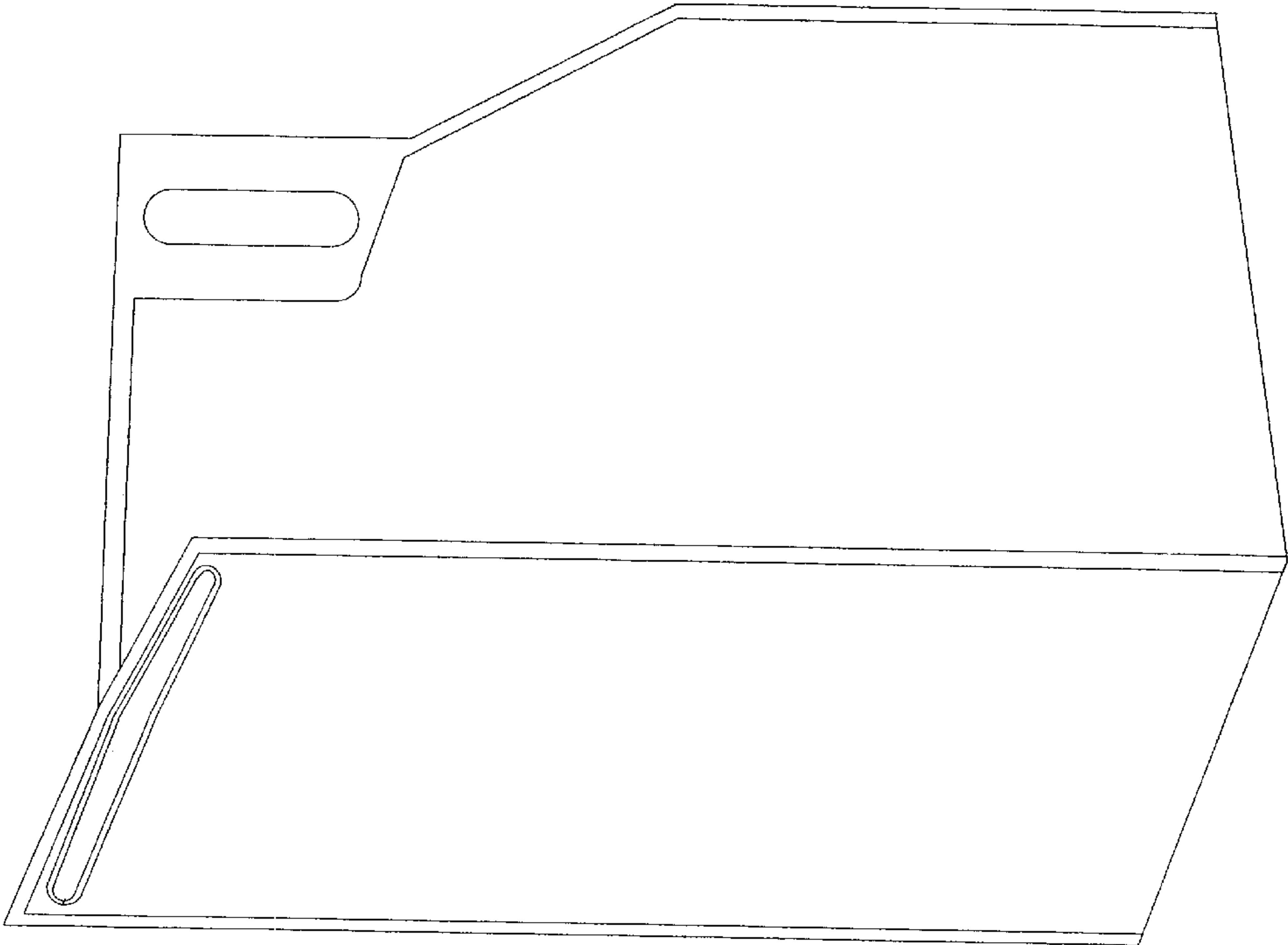


Fig. 2

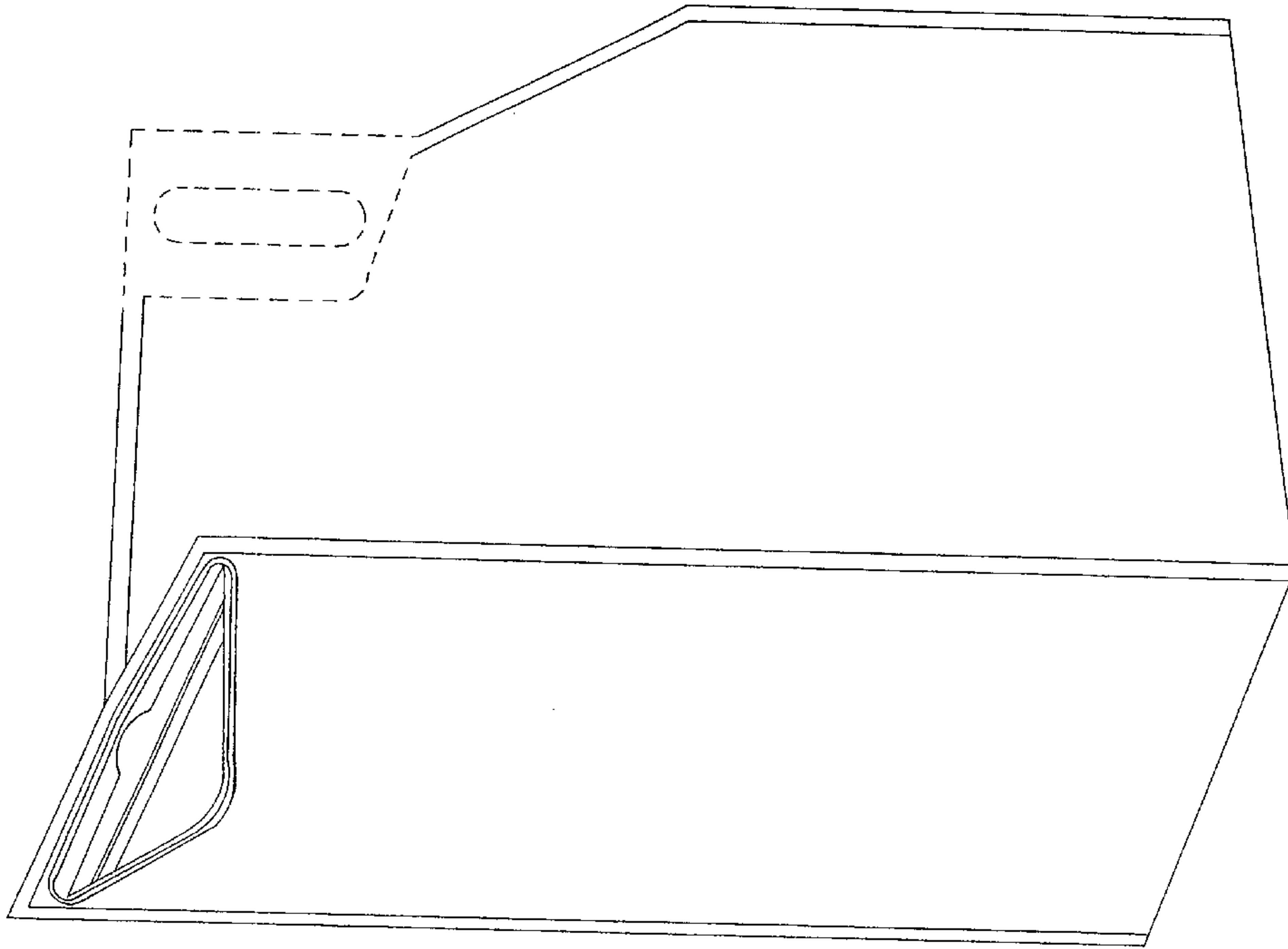


Fig. 4

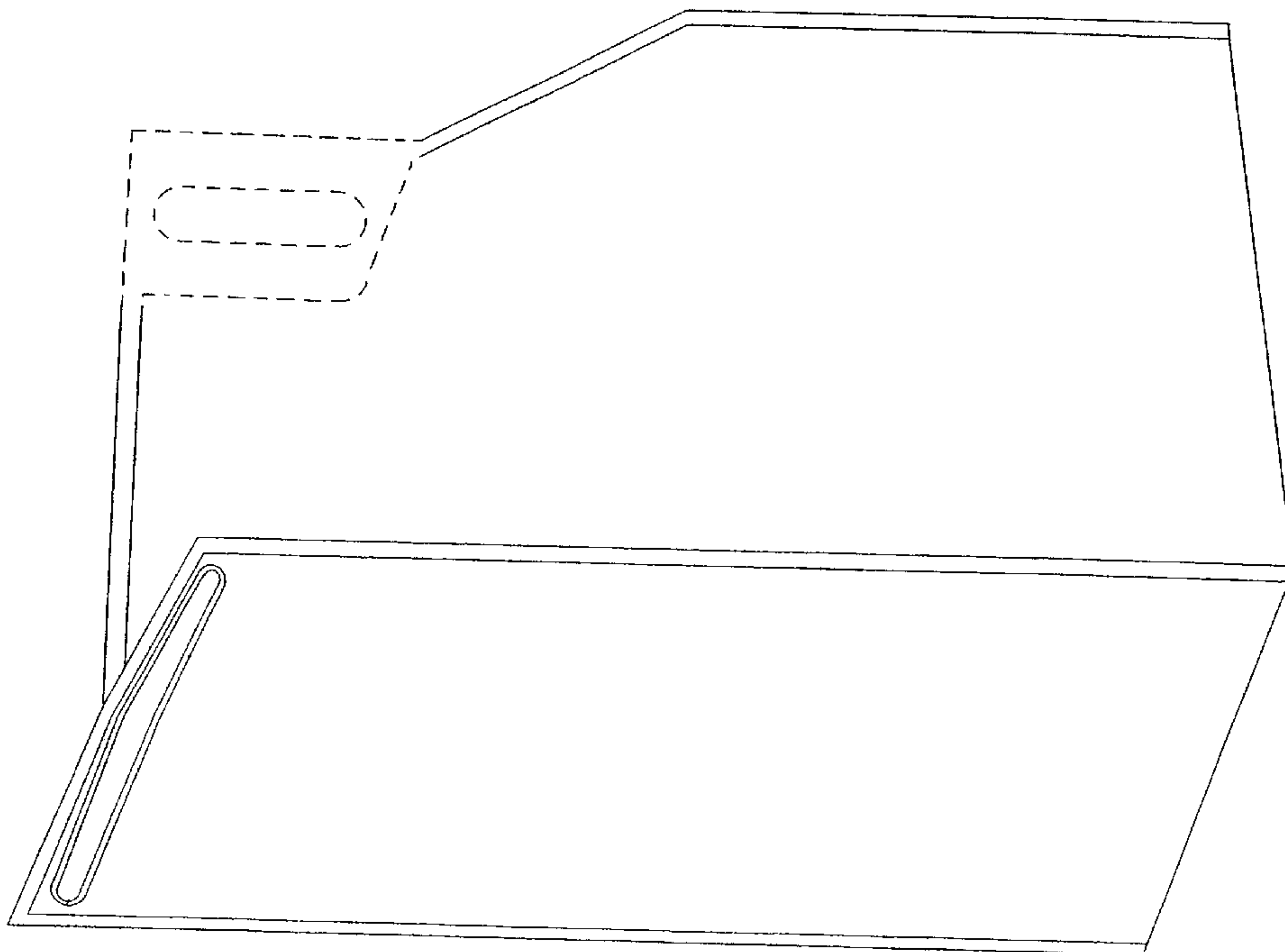


Fig. 3

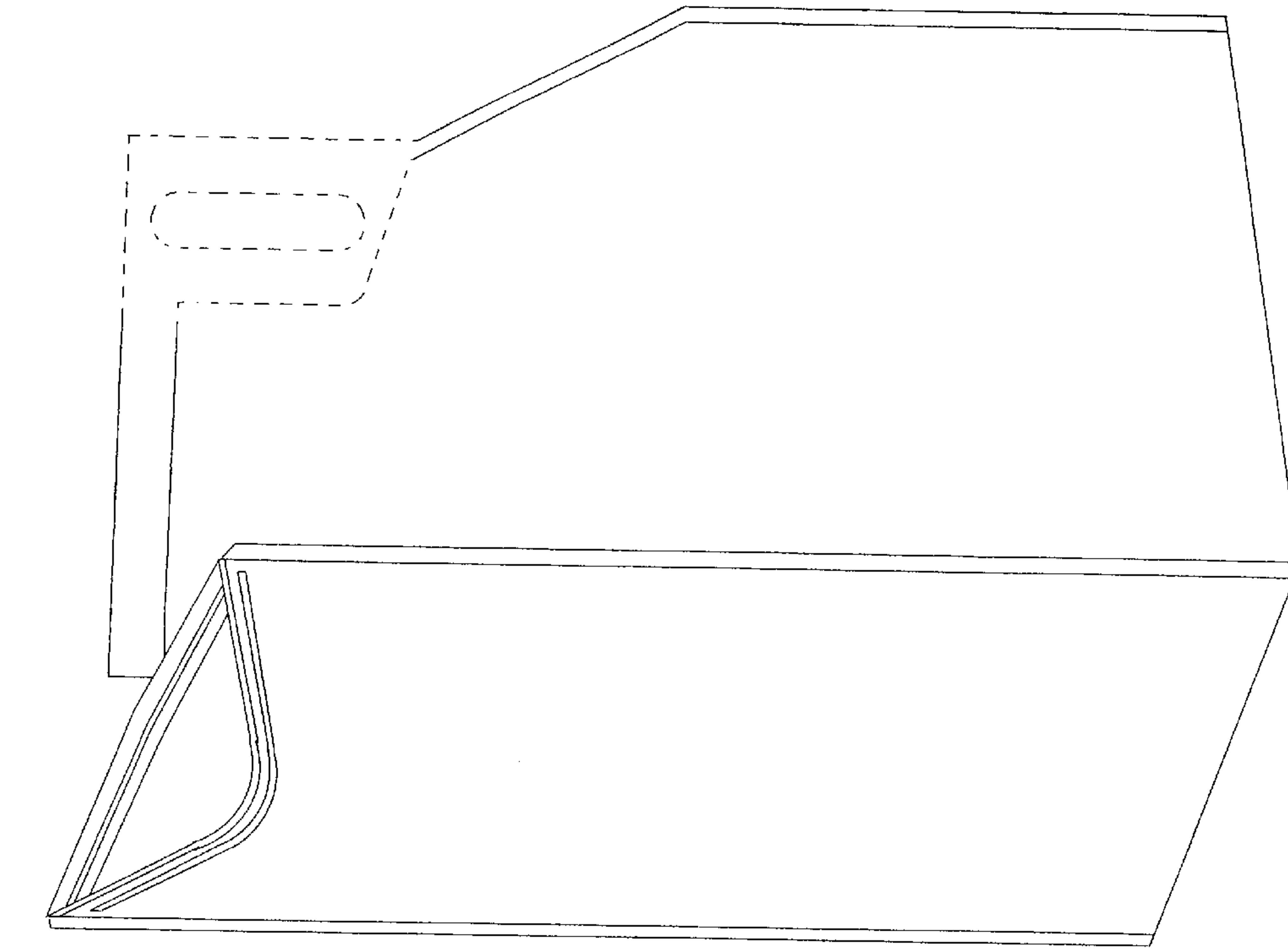


Fig. 5

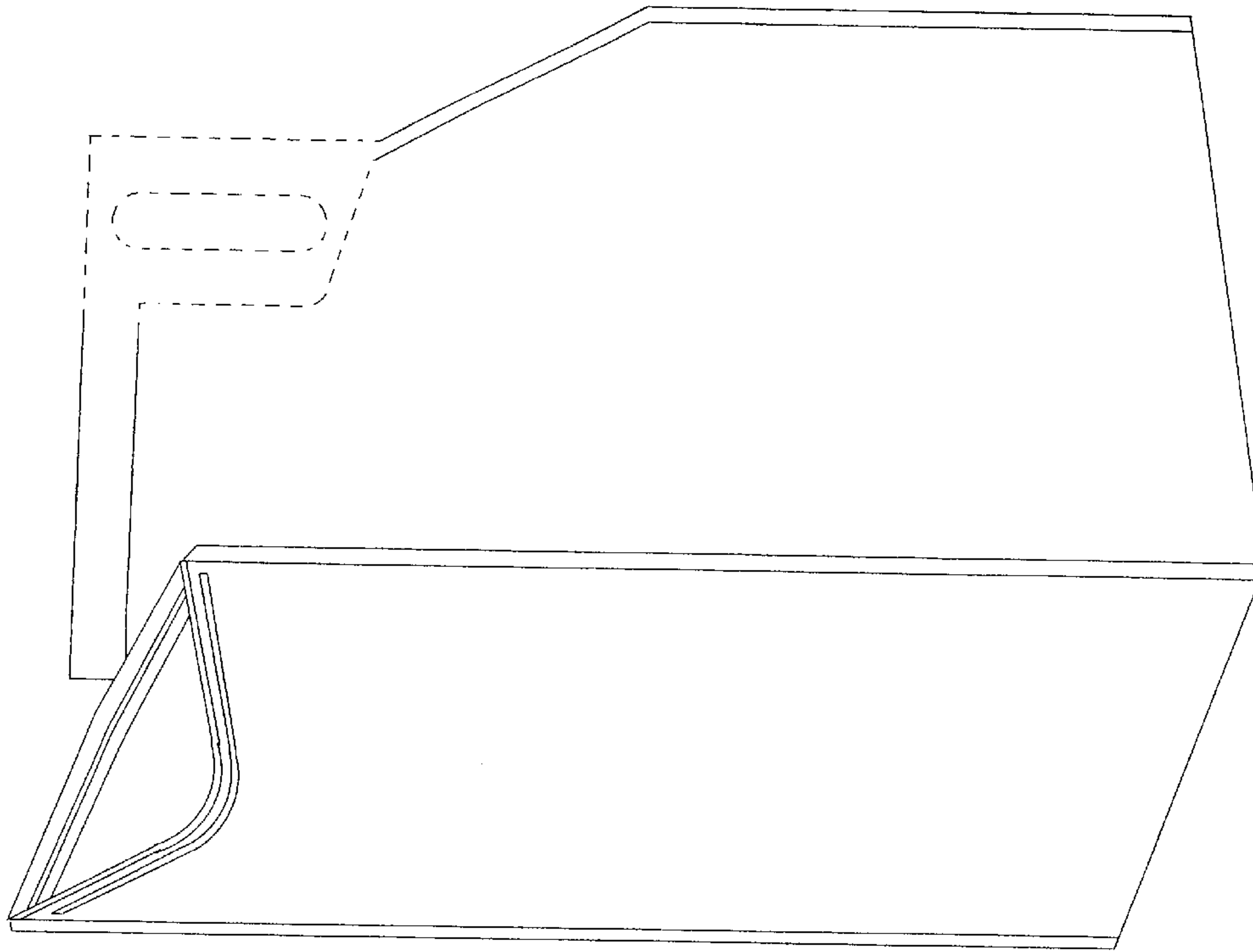


Fig. 6