



US00D549589S

(12) **United States Design Patent**
Lavigne

(10) **Patent No.:** **US D549,589 S**
(45) **Date of Patent:** **** Aug. 28, 2007**

(54) **COMBINED COSMETIC CONTAINER AND CAP**

(75) Inventor: **Richard Lavigne**, Dobbs Ferry, NY (US)

(73) Assignee: **Michael Kors, L.L.C.**, New York, NY (US)

(**) Term: **14 Years**

(21) Appl. No.: **29/219,023**

(22) Filed: **Dec. 10, 2004**

(51) **LOC (8) Cl.** **09-01**

(52) **U.S. Cl.** **D9/573**

(58) **Field of Classification Search** D9/516,
D9/520, 529, 544, 546, 560, 571-574, 682,
D9/686, 687, 766, 692-694, 768, 770, 900,
D9/904; D7/614, 615; D19/75, 77, 95, 96;
D28/75; 220/662; 215/382-384

See application file for complete search history.

(56) **References Cited**

U.S. PATENT DOCUMENTS

D39,897 S 3/1909 Passano
D60,472 S 2/1922 Smith

(Continued)

FOREIGN PATENT DOCUMENTS

AU 96485 5/1987
AU 107529 S 10/1989

(Continued)

Primary Examiner—Stella Reid

Assistant Examiner—Keli L. Acker

(74) *Attorney, Agent, or Firm*—Cynthia R. Miller

(57) **CLAIM**

What is claimed is the ornamental design for a combined cosmetic container and cap, substantially as shown and described.

DESCRIPTION

FIG. 1 is a top, front and left side perspective view of a first embodiment of a new design for a combined cosmetic container and cap;

FIG. 2 is a top plan view of the container and cap shown in FIG. 1;

FIG. 3 is a front elevation view of the container and cap shown in FIG. 1;

FIG. 4 is a left side elevational view of the container and cap shown in FIG. 1, a right side elevation view being a mirror image thereof;

FIG. 5 is a rear elevation view of the container and cap shown in FIG. 1;

FIG. 6 is a bottom plan view of the container and cap shown in FIG. 1;

FIG. 7 is a top, front and left side perspective view of the container and cap shown in FIG. 1, with the cap removed from the container;

FIG. 8 is a sectional view taken through line 8-8 of FIG. 7;

FIG. 9 is a sectional view taken through line 9-9 of FIG. 7;

FIG. 10 is a top, front left side perspective view of a second embodiment of a new design for a cosmetic container and cap;

FIG. 11 is a top plan view of the container and cap shown in FIG. 10;

FIG. 12 is a front elevation view of the container and cap shown in FIG. 10;

FIG. 13 is a left side elevation view of the container and cap shown in FIG. 10, a right side elevation view being a mirror image thereof;

FIG. 14 is a rear elevation view of the container and cap shown in FIG. 10;

FIG. 15 is a bottom plan view of the container and cap shown in FIG. 10;

FIG. 16 is a top, front and left side perspective view of a third embodiment of a new design for a container and cap;

FIG. 17 is a top plan view of the container and cap shown in FIG. 16;

FIG. 18 is a front elevation view of the container and cap shown in FIG. 16;

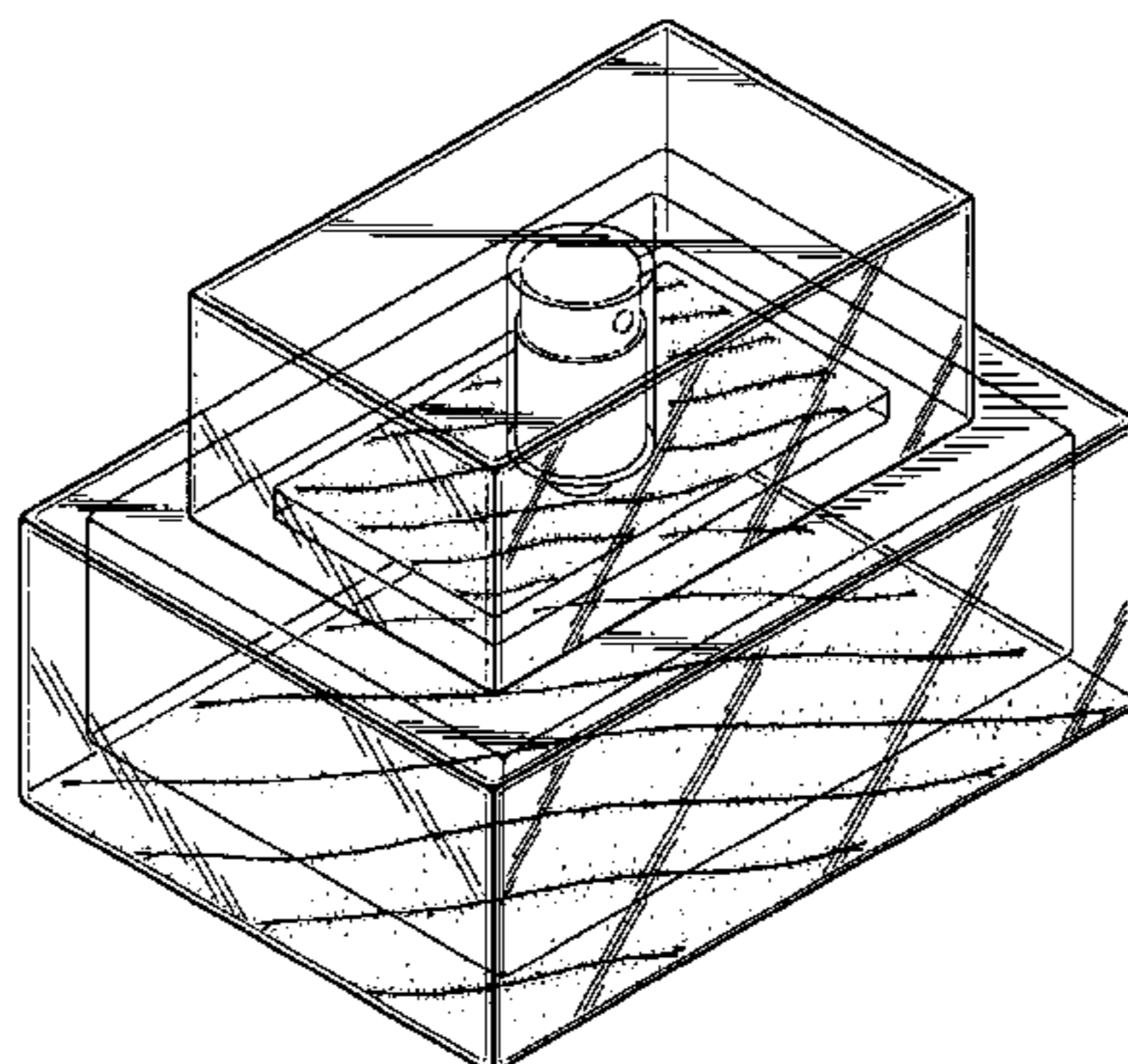
FIG. 19 is a left side elevation view of the container and cap shown in FIG. 16, a right side elevation view being a mirror image thereof;

FIG. 20 is a rear elevation view of the container and cap shown in FIG. 16; and,

FIG. 21 is a bottom plan view of the container and cap shown in FIG. 16.

The design is characterized by the rippled bottom surfaces of the container and the cap which present the appearance of rippling waves of water. The broken lines shown in the figures are for illustrative purposes only and form no part of the claimed design.

1 Claim, 14 Drawing Sheets



US D549,589 S

Page 2

U.S. PATENT DOCUMENTS

D67,625 S 6/1925 Terry
D74,233 S * 1/1928 Lewis D9/544
D74,418 S * 2/1928 D'Escayrac D9/544
D90,558 S 8/1933 Tricard
D104,649 S 5/1937 Black
D107,688 S * 12/1937 Lloyd D9/567
D141,775 S 7/1945 Buckingham
D158,380 S 5/1950 Heftler-Louiche
D167,981 S * 10/1952 Heftler-Louiche D28/91.1
D195,148 S 4/1963 Marchant
D235,735 S 7/1975 Dinand
D241,013 S 8/1976 Dekker
D244,579 S 6/1977 Dinand
D266,987 S 11/1982 Perez de Guzman
D270,040 S 8/1983 Perez de Guzman
D272,603 S * 2/1984 Dinand D9/544
D276,892 S 12/1984 Carre
D280,295 S 8/1985 de Mouy et al.
D299,429 S * 1/1989 Dinand D9/573
D309,860 S 8/1990 Fossati
D333,270 S 2/1993 Albright et al.
D364,348 S 11/1995 Sgariboldi
D438,097 S 2/2001 Krunas
D438,802 S 3/2001 Krunas

D459,209 S 6/2002 Yamamoto
D480,299 S 10/2003 Sgariboldi
D484,789 S 1/2004 Sgariboldi
D484,790 S 1/2004 Sgariboldi
D484,791 S 1/2004 Sgariboldi
D484,792 S 1/2004 Sgariboldi
D511,688 S * 11/2005 Baron D9/560

FOREIGN PATENT DOCUMENTS

AU 141210 7/2000
AU 145492 10/2001
AU 145499 10/2001
AU 150889 2/2003
ES 151313 5/2001
ES 152128 8/2001
ES 000000864-0003 4/2003
FR 132862 11/1957
FR 203877 11/1957
IT 000015417-0003 4/2003
IT 000059399-0016 8/2003
IT 000059399-0017 8/2003
JP 1011152 5/1998
JP 1126780 9/2001
WO DM-057836 * 9/2001

* cited by examiner

FIG. 1

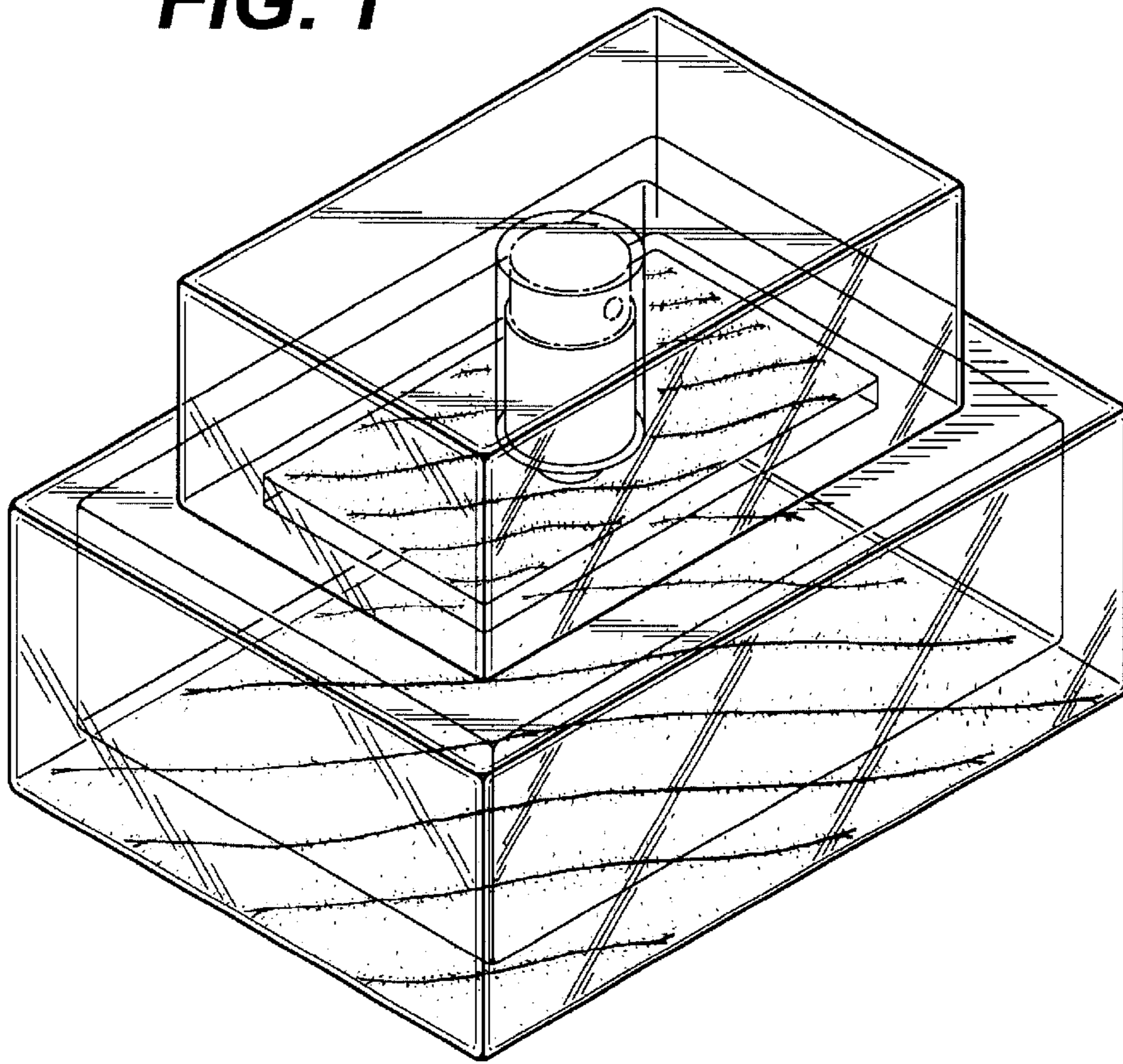


FIG. 2

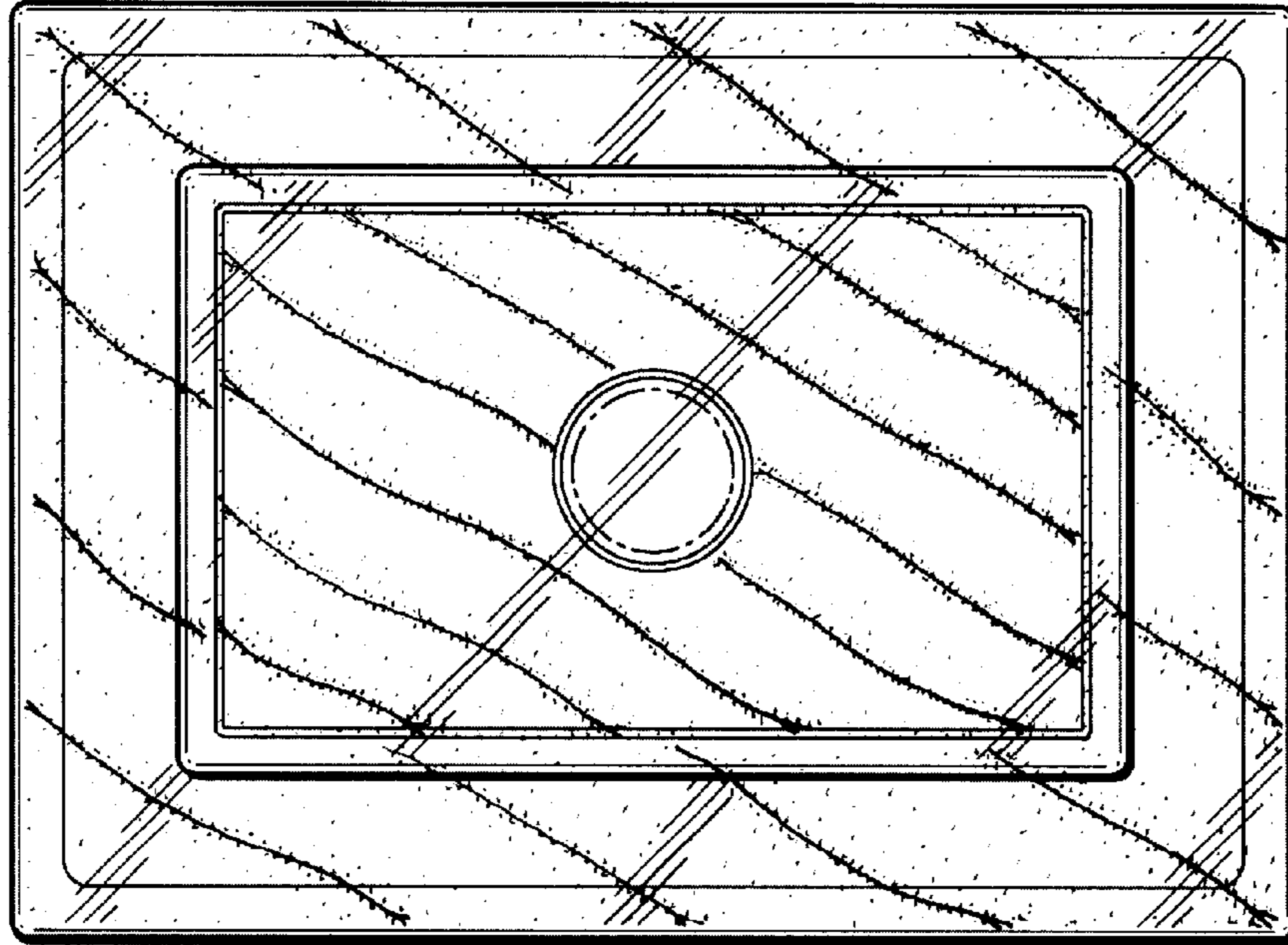


FIG. 3

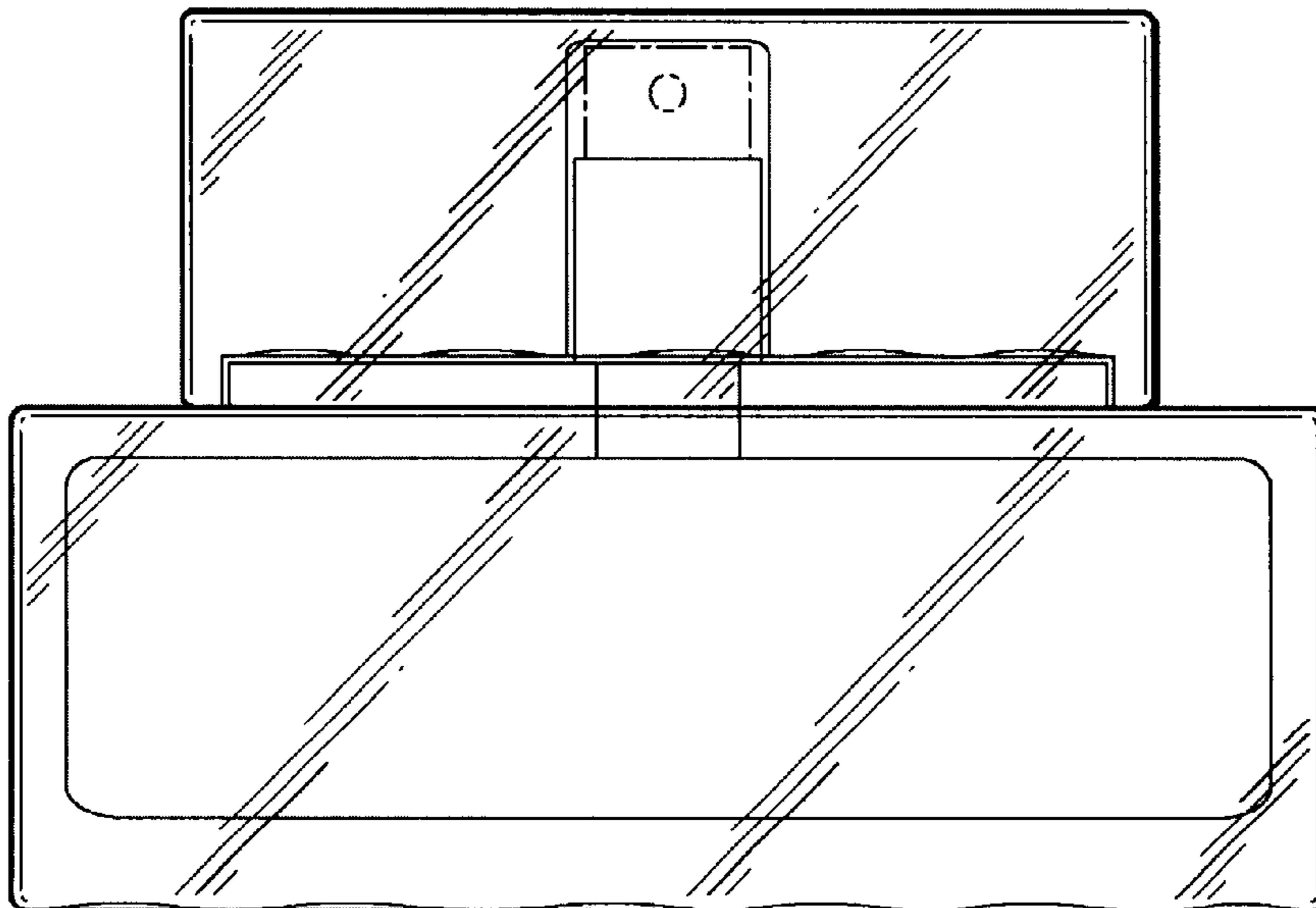


FIG. 4

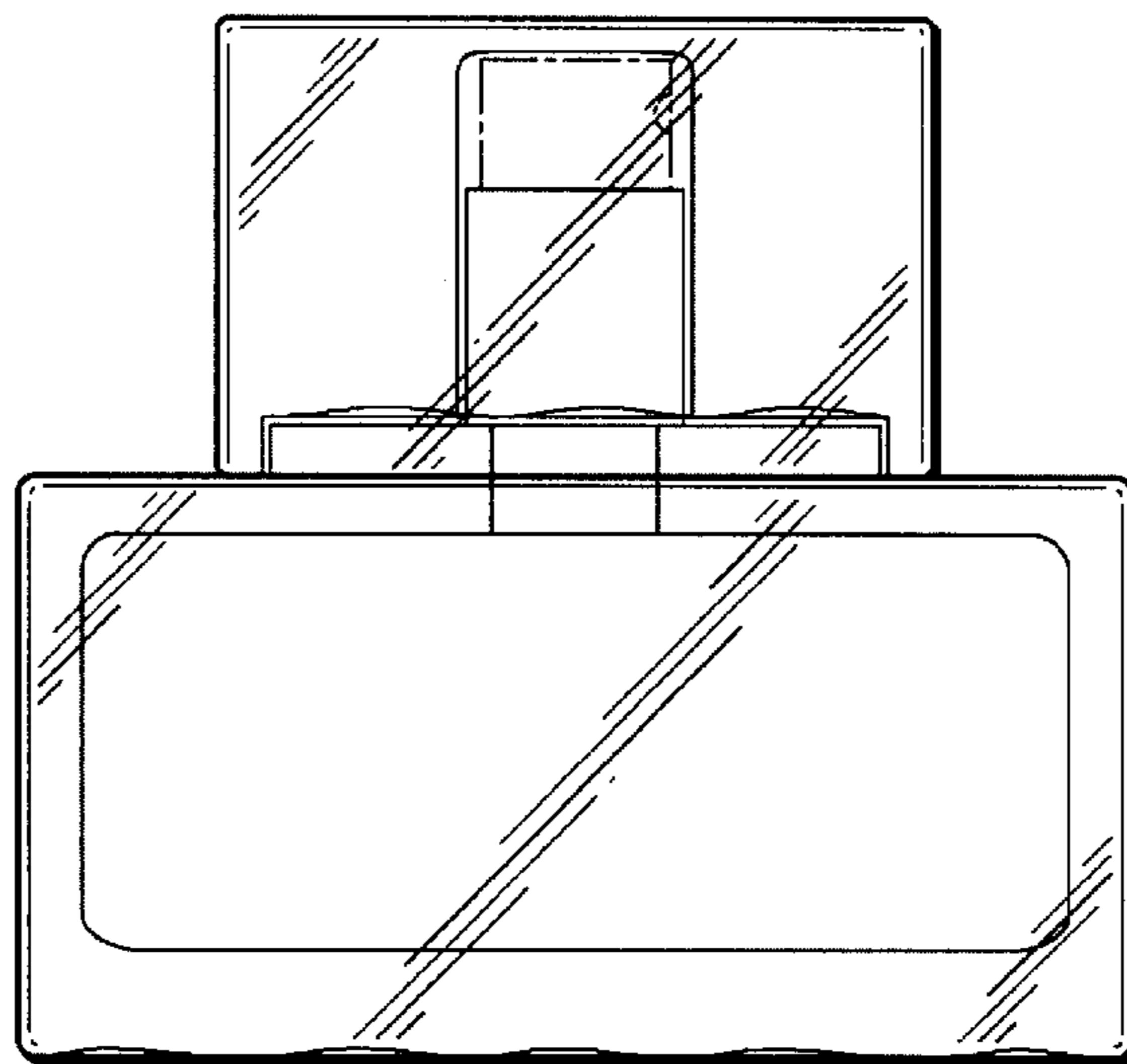


FIG. 5

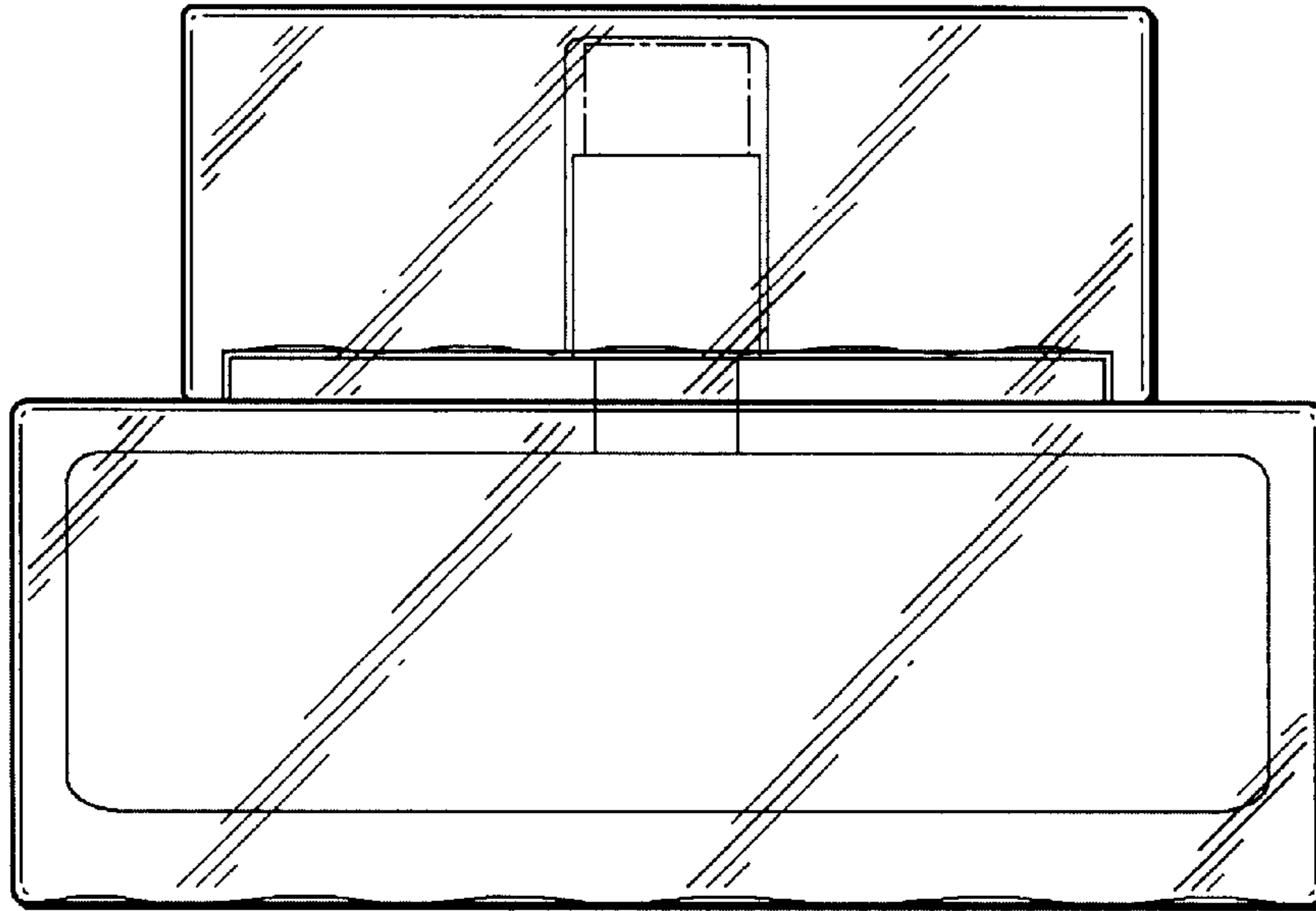


FIG. 6

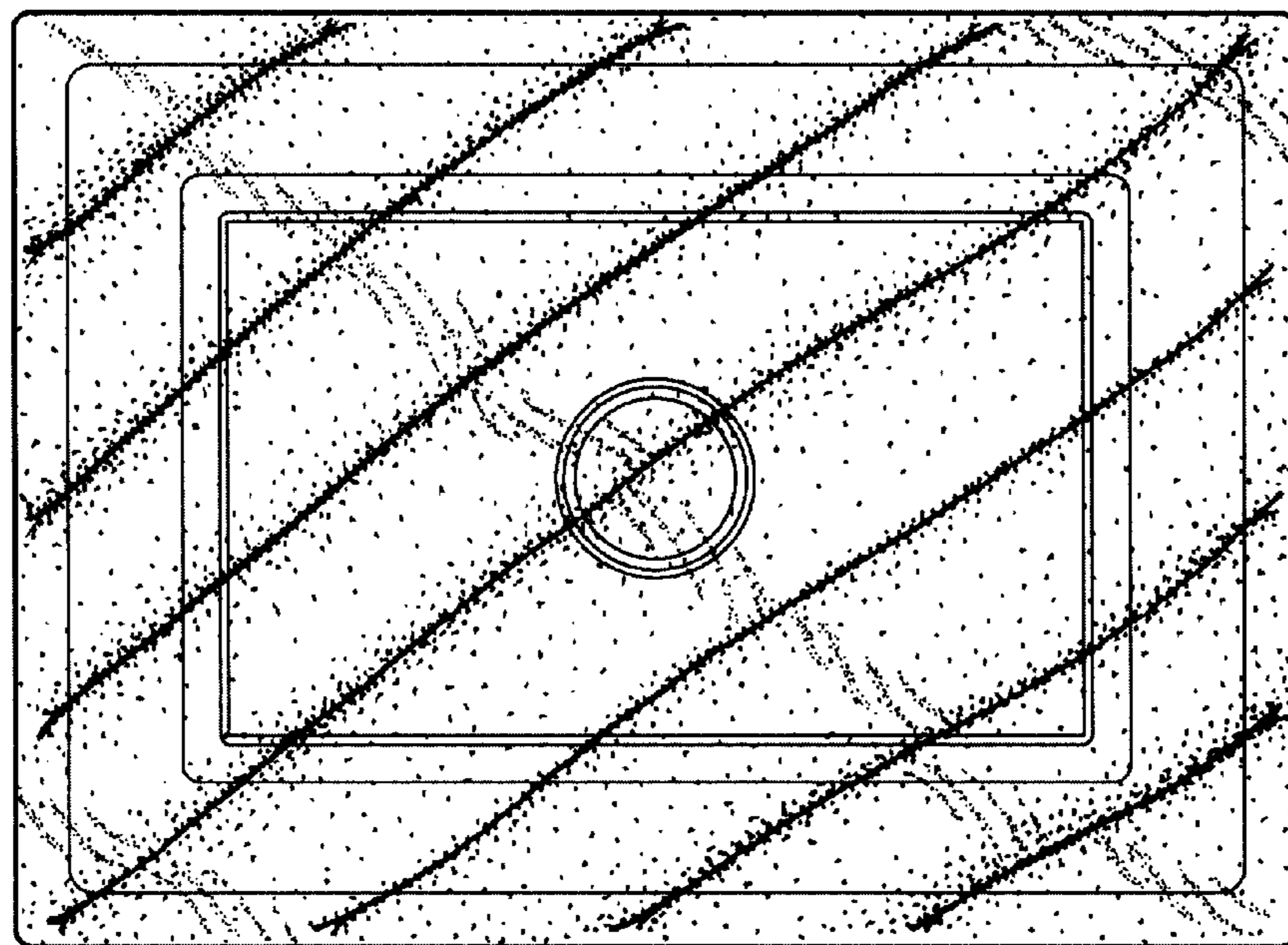
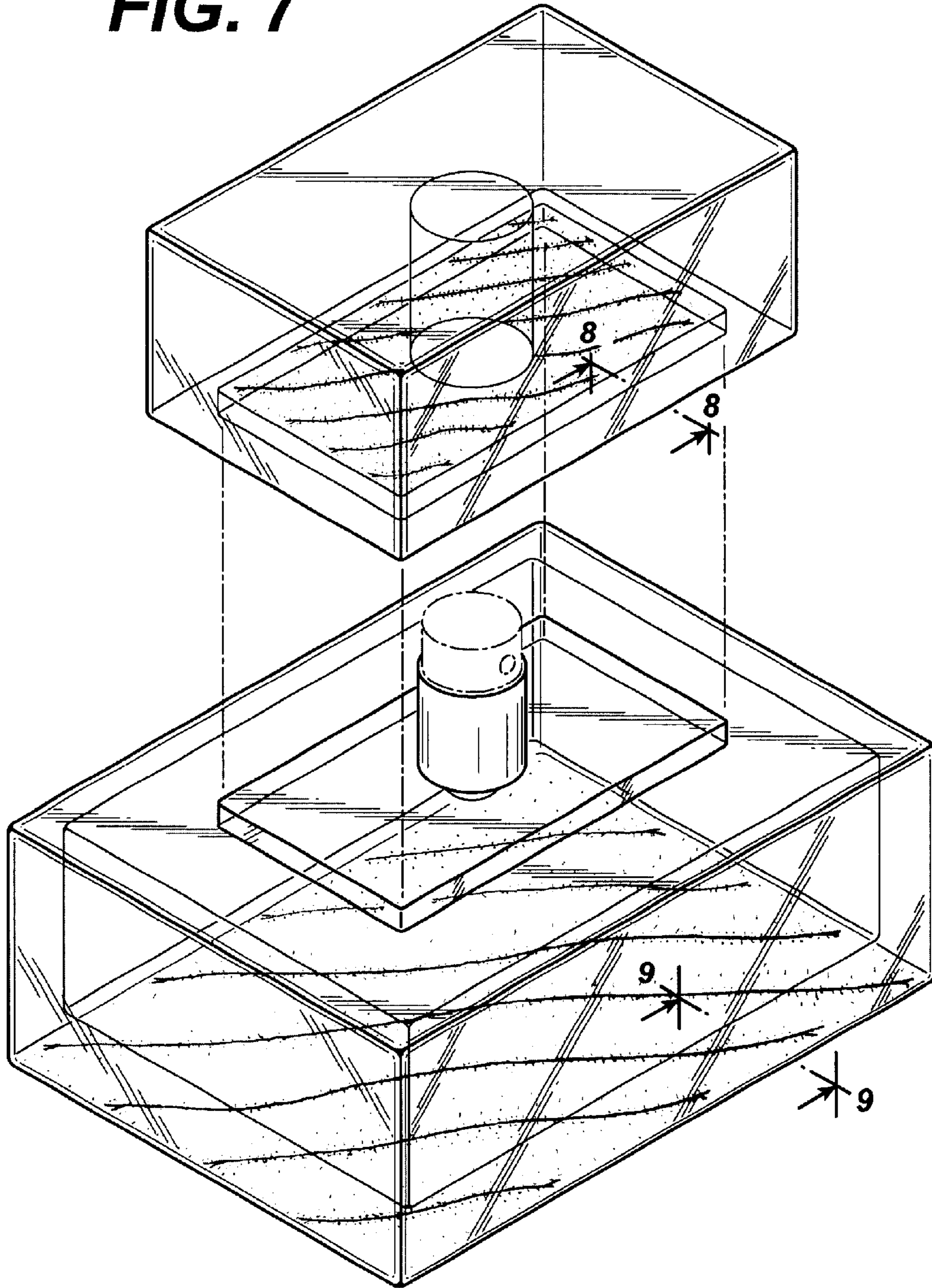


FIG. 7



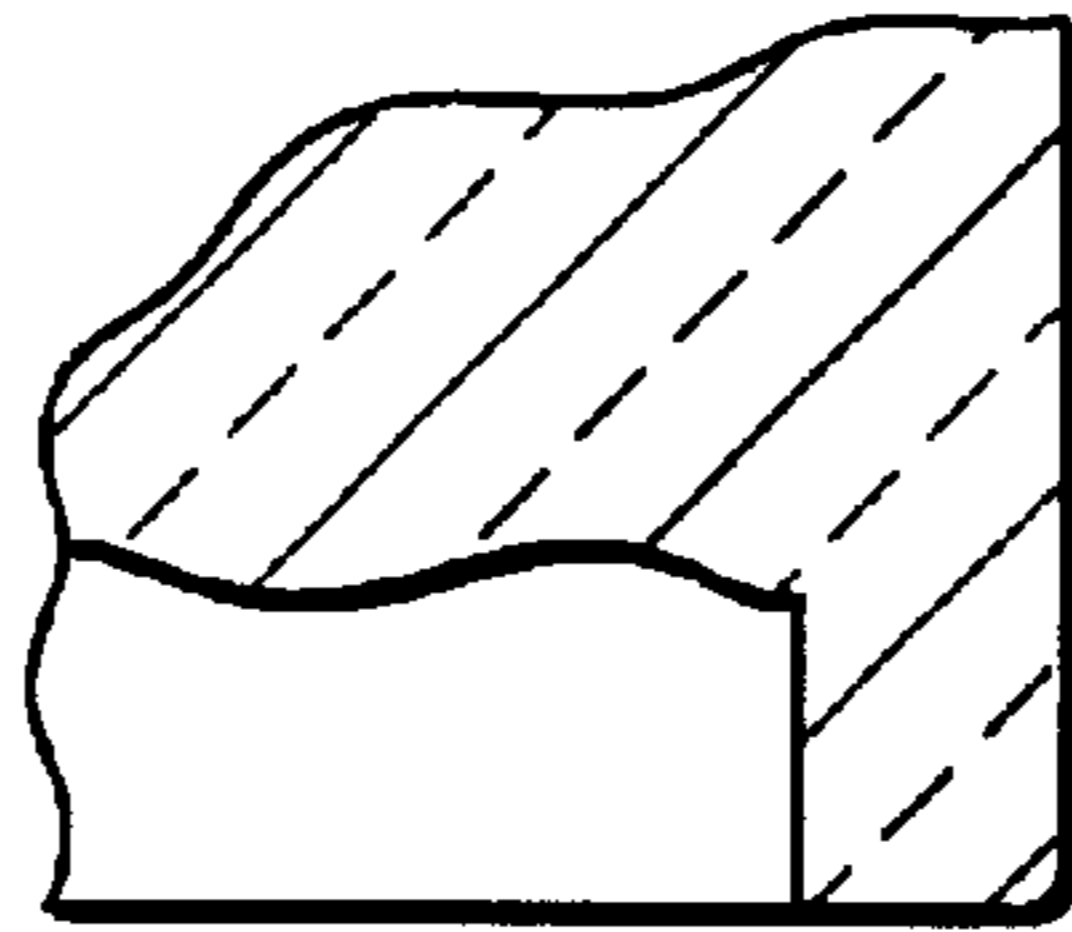


FIG. 8

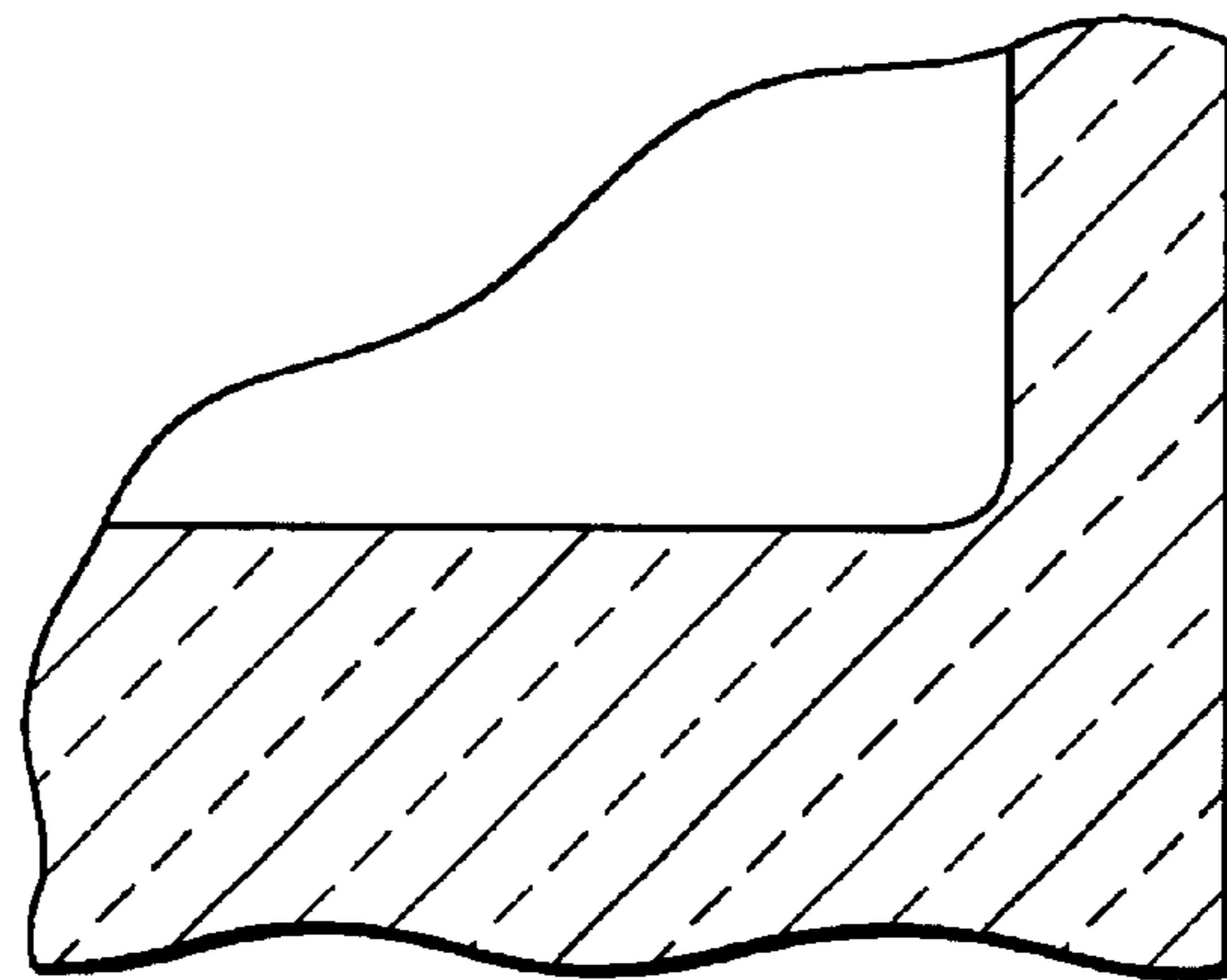


FIG. 9

FIG. 10

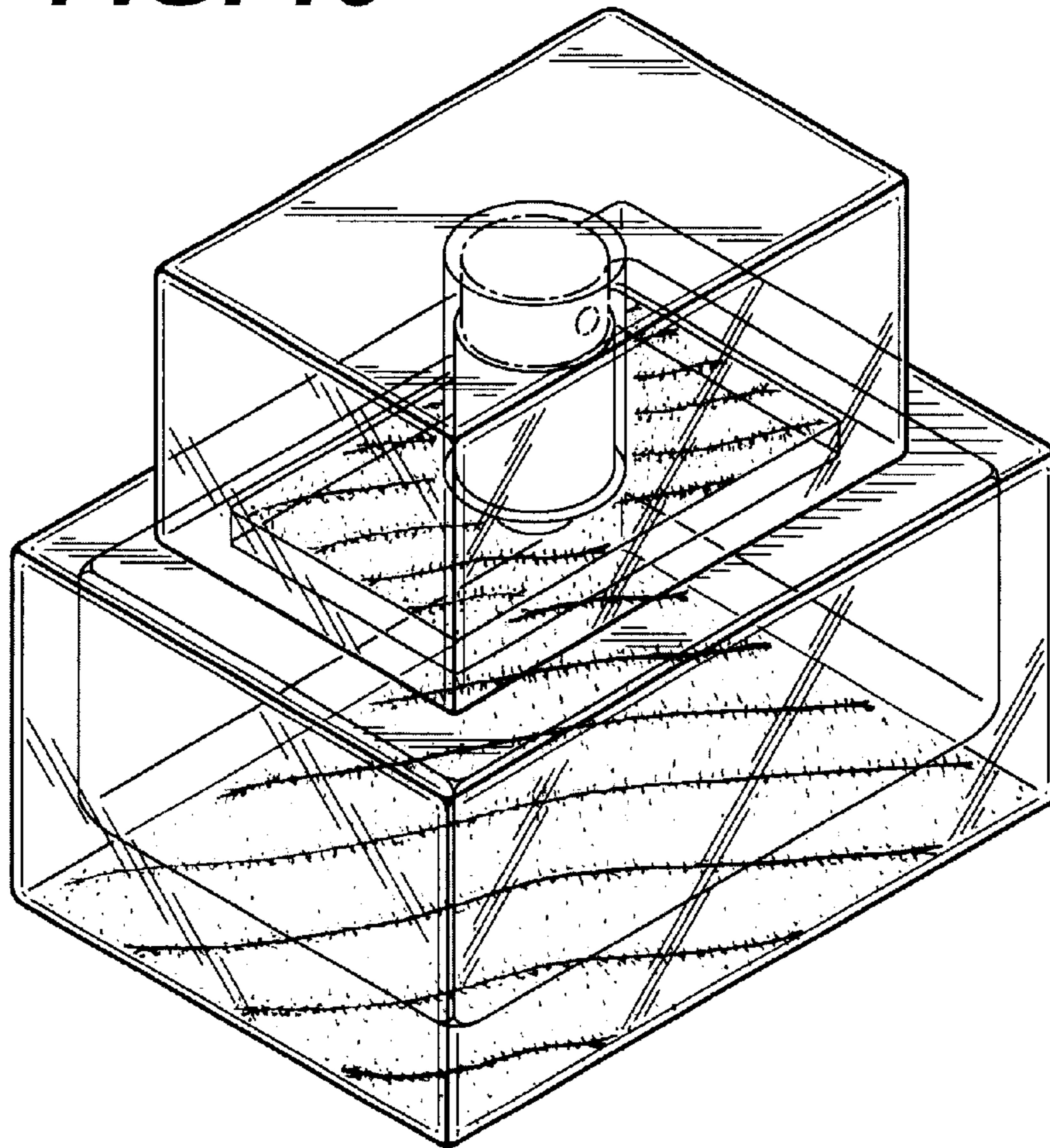


FIG. 11

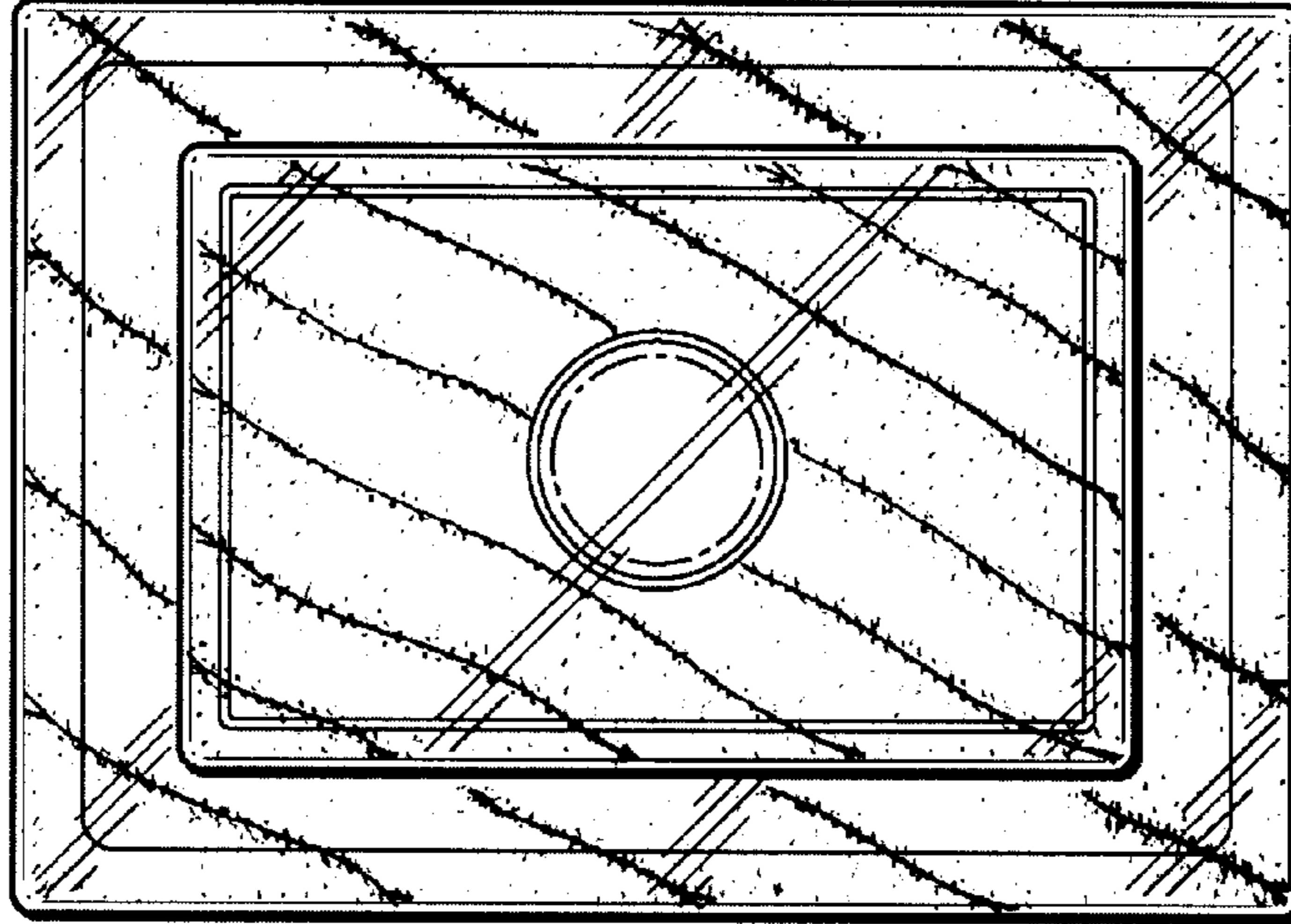


FIG. 12

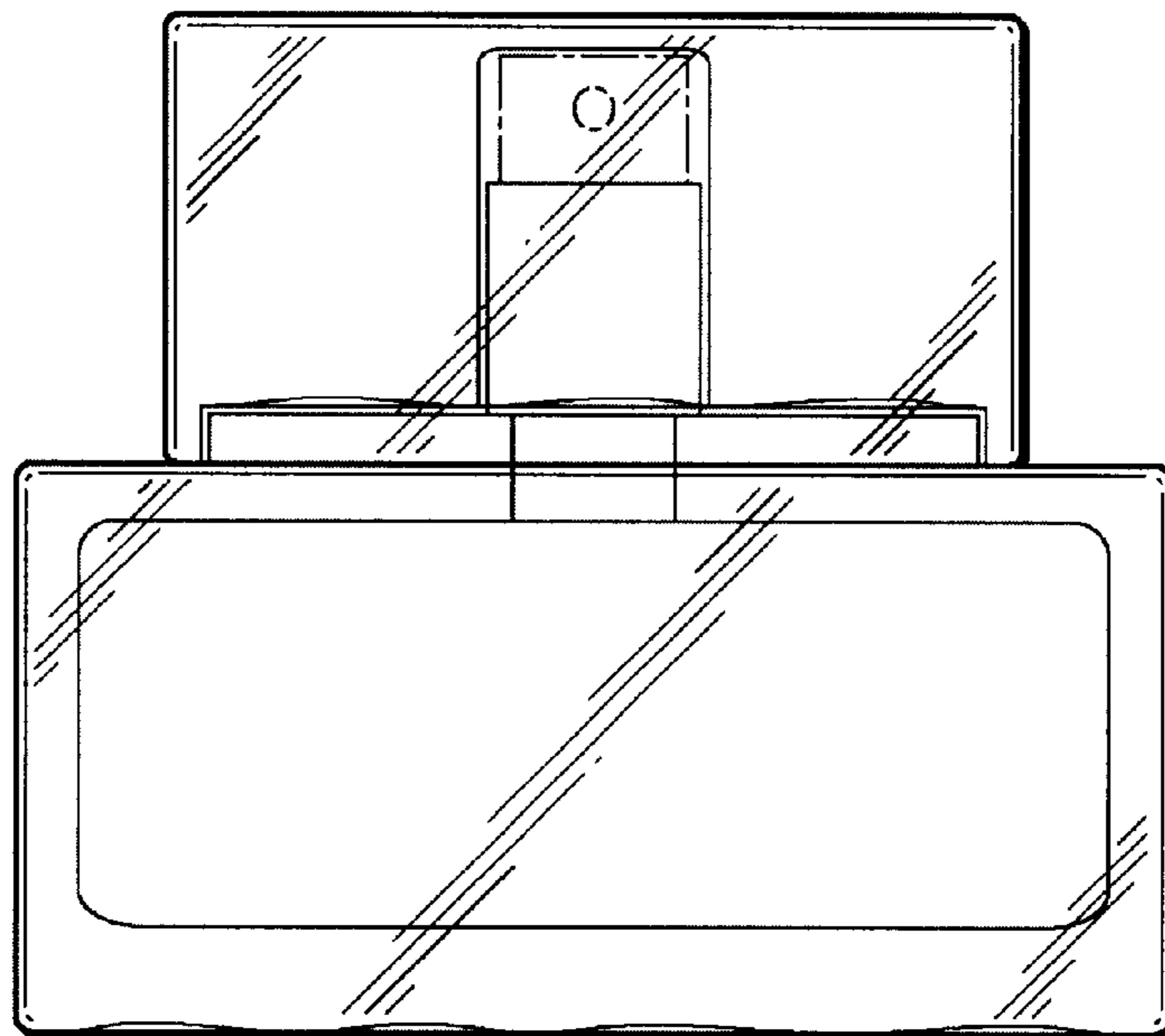


FIG. 13

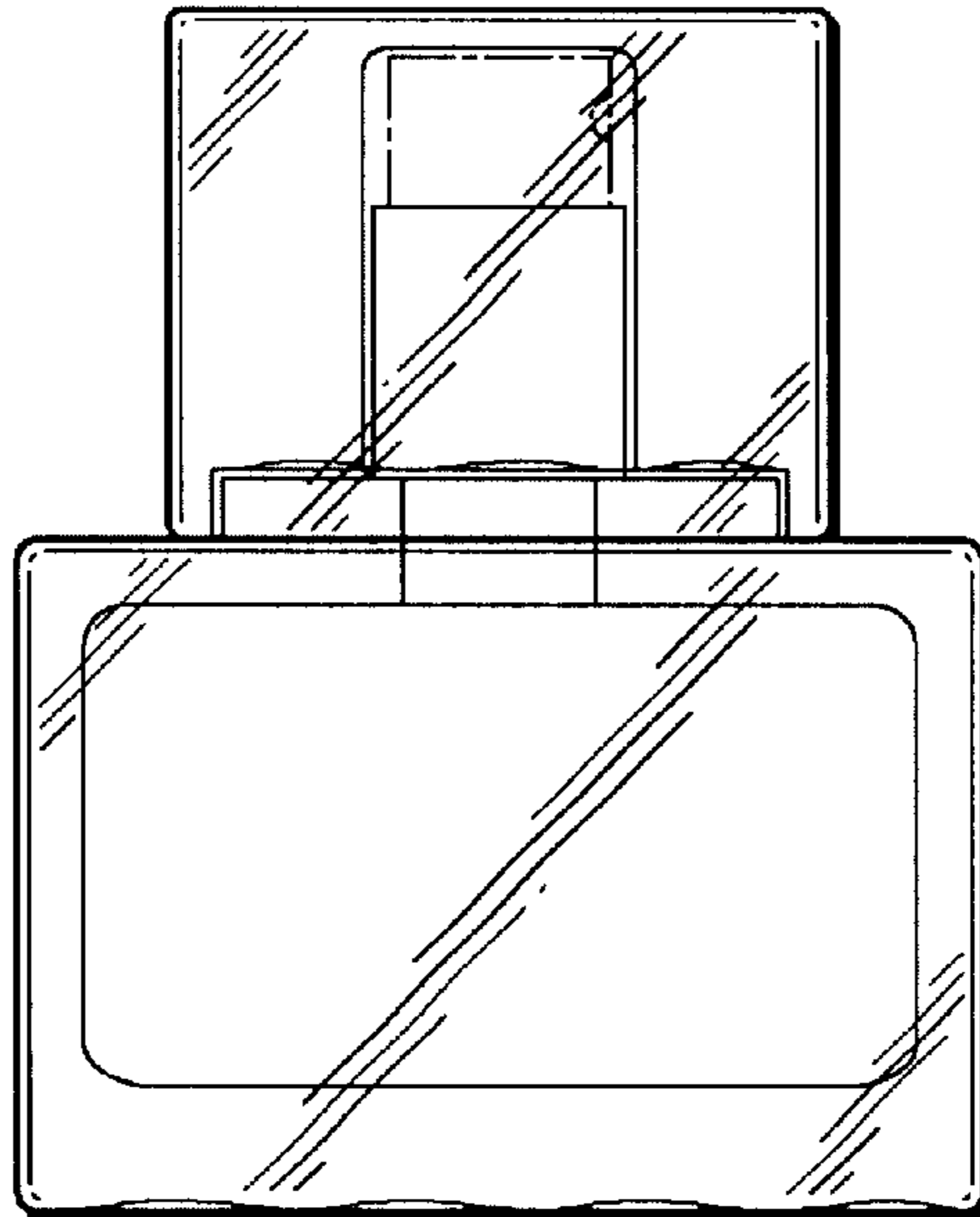


FIG. 14

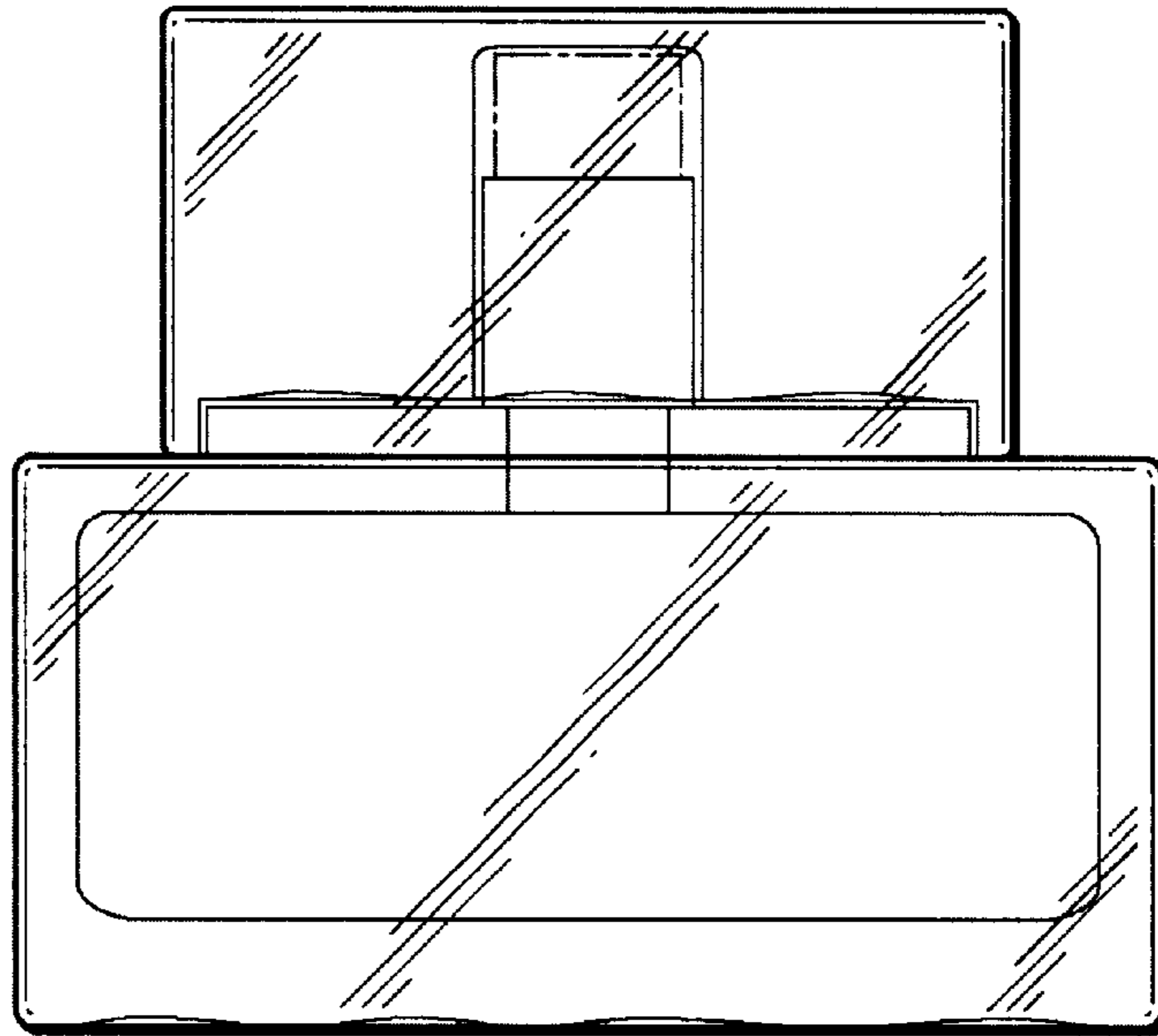


FIG. 15

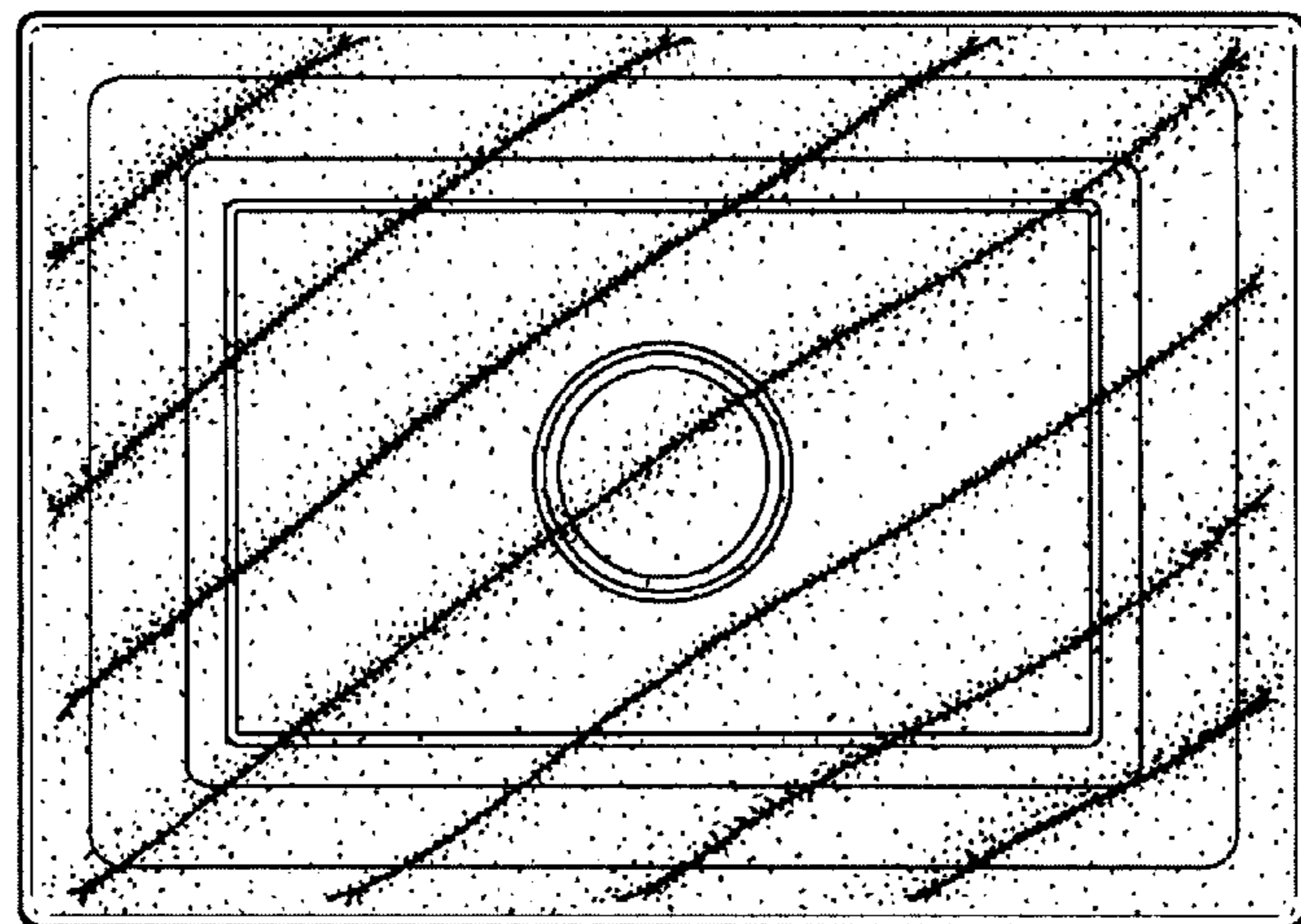


FIG. 16

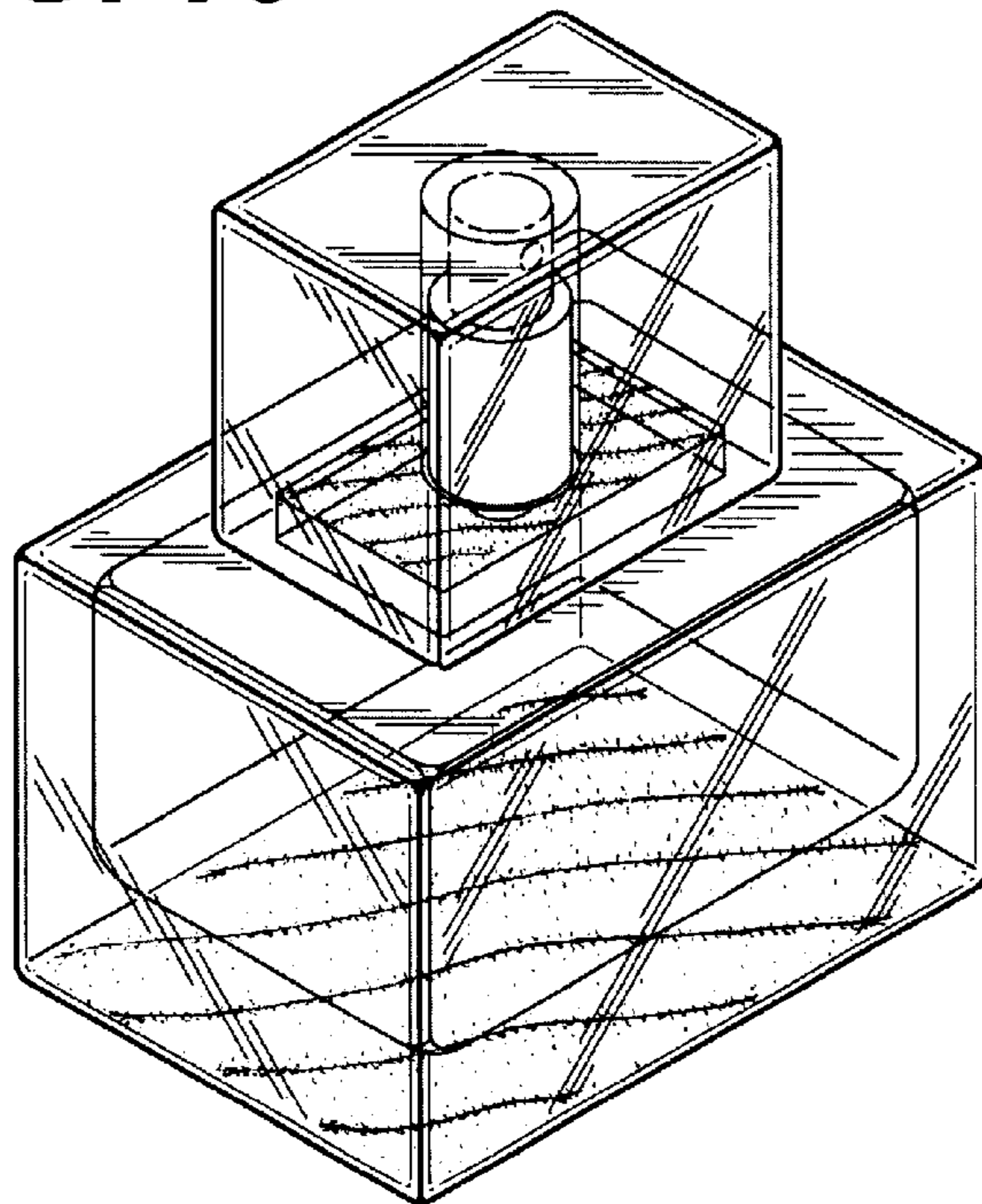


FIG. 17

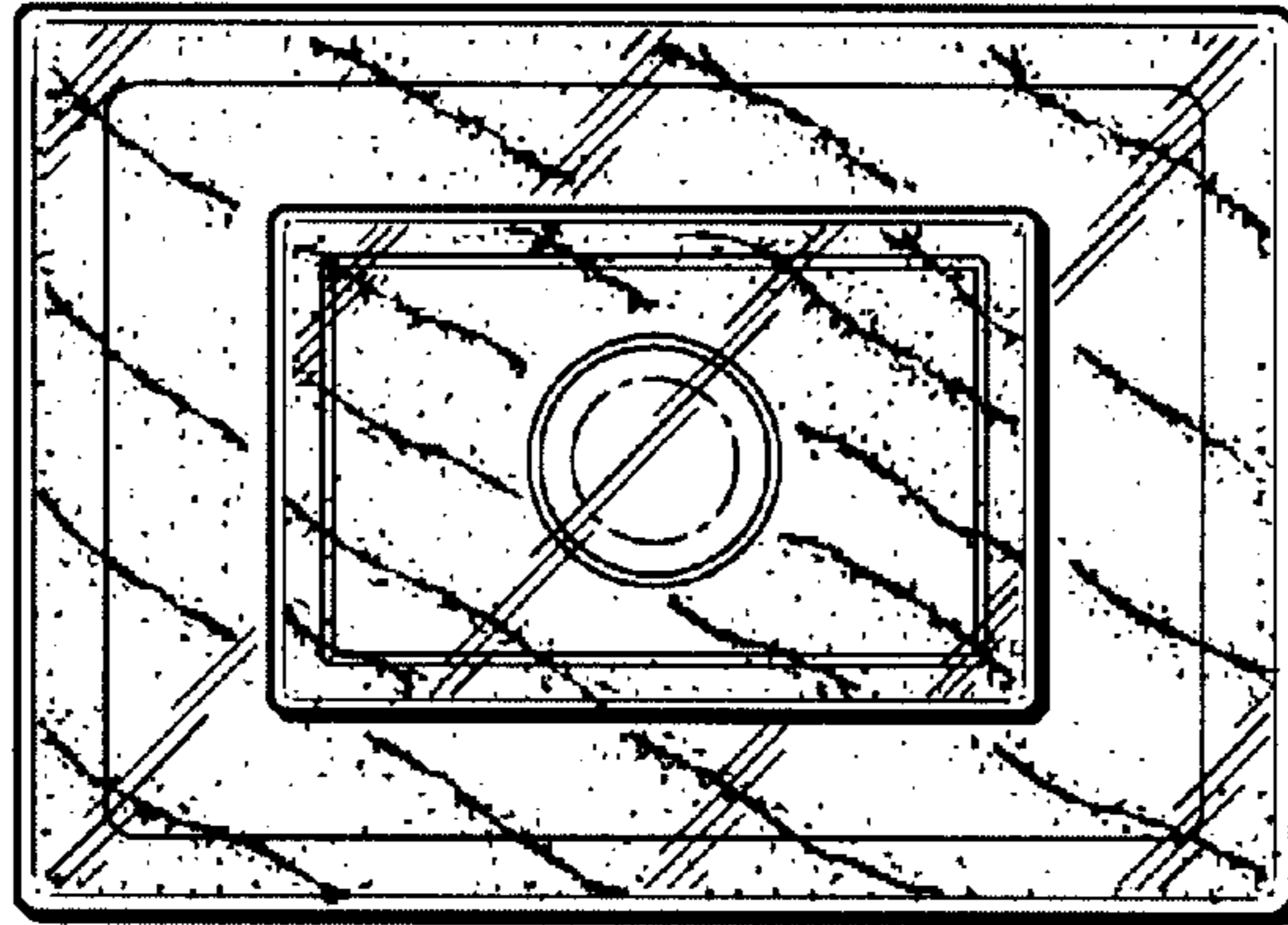


FIG. 18

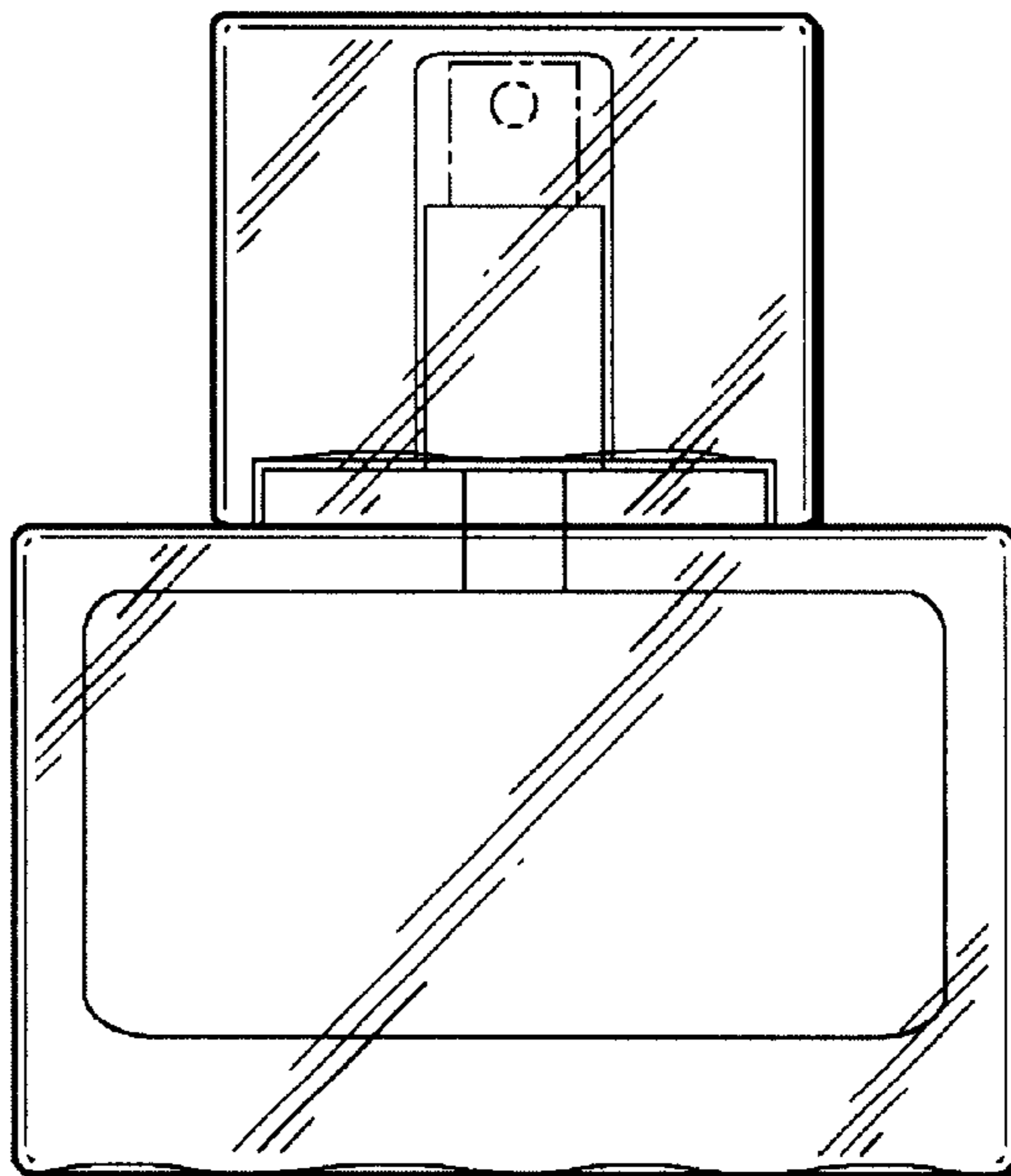


FIG. 19

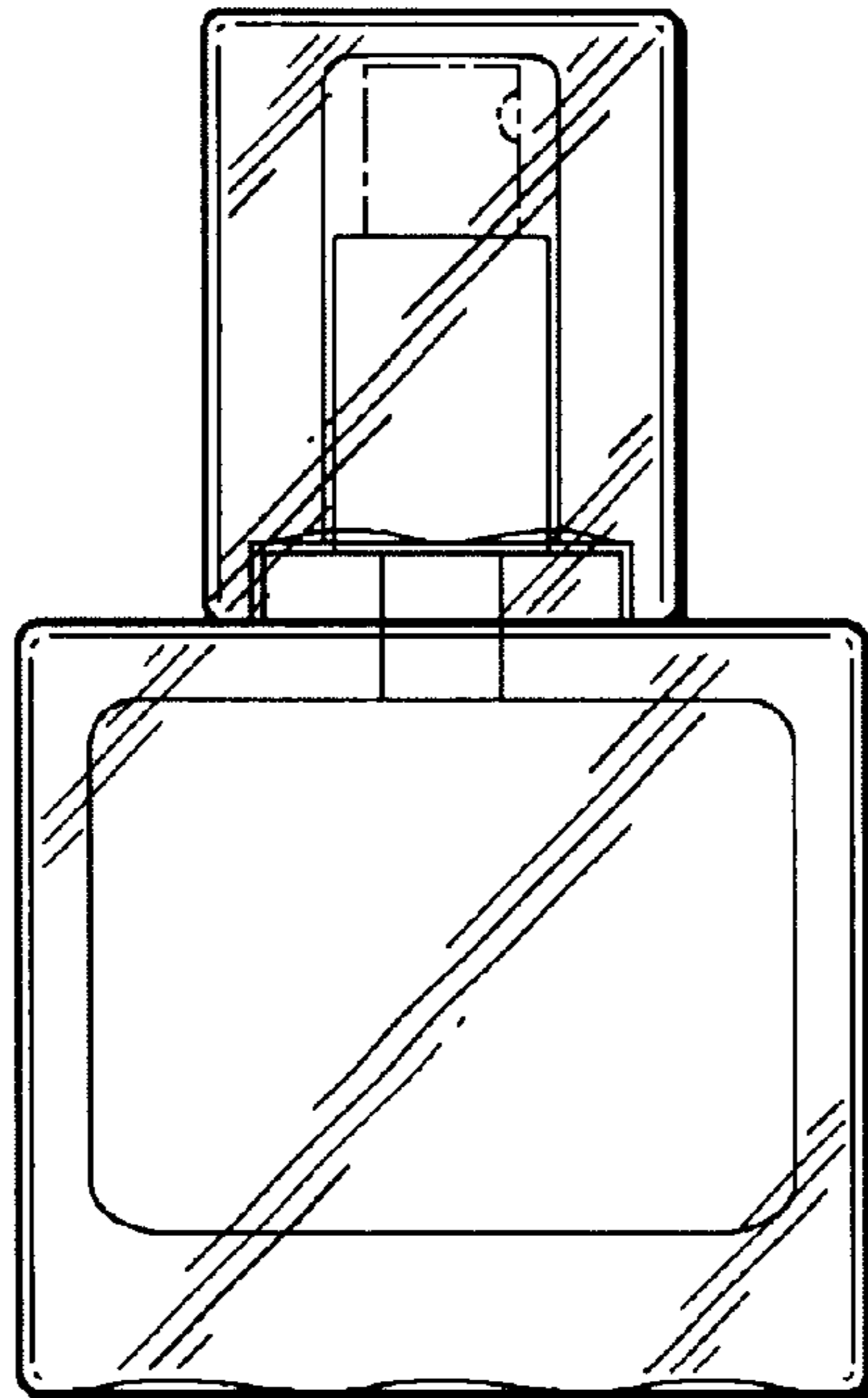


FIG. 20

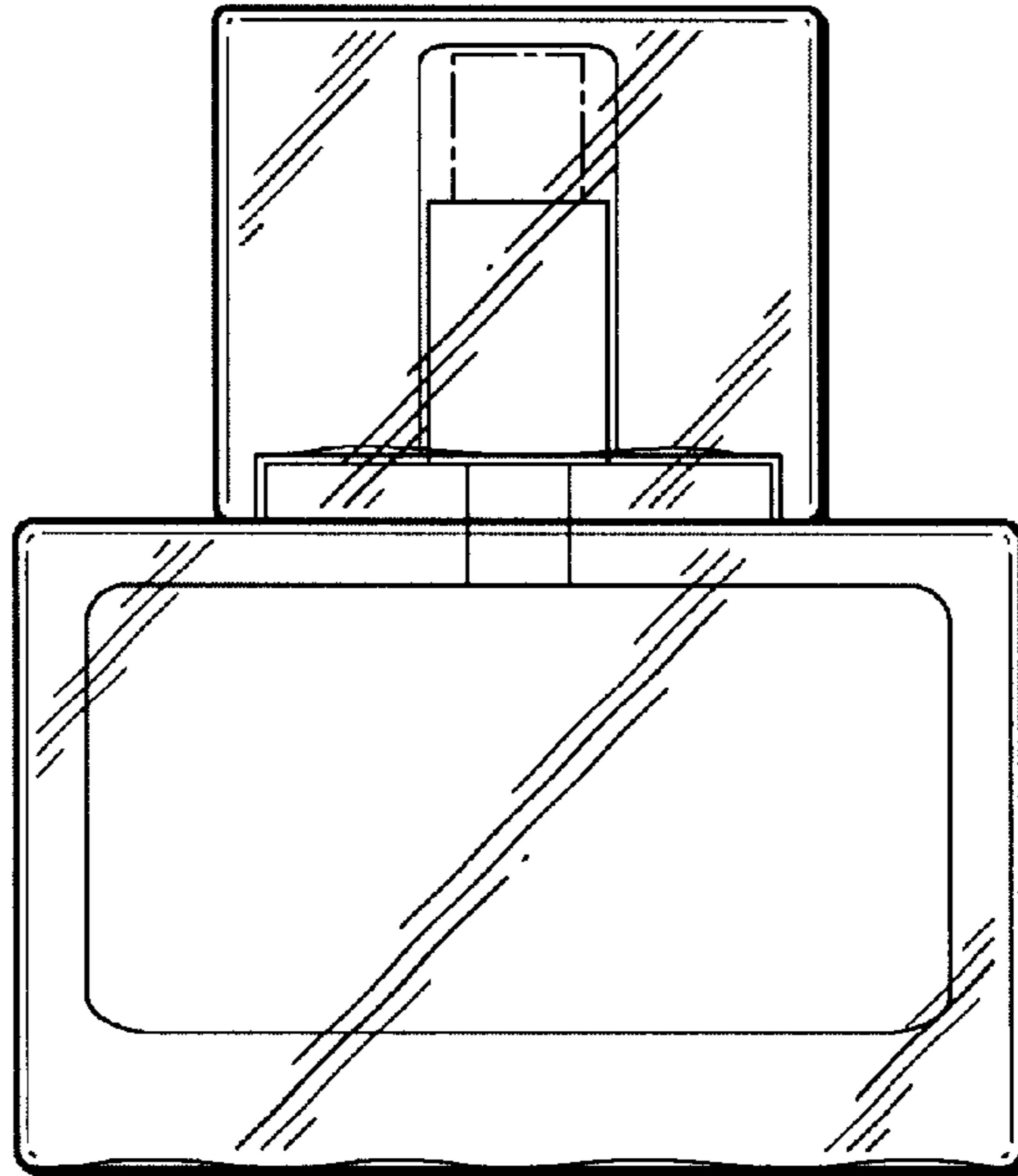


FIG. 21

