



US00D549577S

(12) **United States Design Patent**
Schactner et al.

(10) **Patent No.:** **US D549,577 S**

(45) **Date of Patent:** **** Aug. 28, 2007**

(54) **STOPPER FOR BOTTLE**

(75) Inventors: **Robert Benjamin Schactner**, Chicago, IL (US); **Rony Zibara**, New York, NY (US); **Jason Wong**, Brooklyn, NY (US); **Erik Marinovich**, Brooklyn, NY (US)

(73) Assignee: **Diageo North America, Inc.**, Norwalk, CT (US)

(**) Term: **14 Years**

(21) Appl. No.: **29/268,366**

(22) Filed: **Nov. 3, 2006**

(51) **LOC (8) Cl.** **09-07**

(52) **U.S. Cl.** **D9/439**

(58) **Field of Classification Search** D9/651,
D9/546, 499, 454, 445, 439, 435, 560, 559;
D8/397, 310, DIG. 2, 378, 312, 305, 300;
D7/628, 542, 392.1, 391, 387; D3/202, 270,
D3/271.1; D12/207, 204; D26/123; 301/37.101,
301/108.1-5; 125/30.01; 215/200, 355-364;
220/694; D11/90; 206/380, 823; D23/250,
D23/249, 238; D30/124

See application file for complete search history.

(56) **References Cited**

U.S. PATENT DOCUMENTS

D66,978 S * 4/1925 Martin D8/307

D167,086 S * 6/1952 Kaufer D9/439
D223,147 S * 3/1972 Northgrave et al. D9/439
D232,965 S * 9/1974 Atwell D11/90
D255,430 S * 6/1980 Strand D9/439
D399,611 S * 10/1998 Ericson et al. D9/559
D404,292 S * 1/1999 Weber D8/378
6,915,920 B2 * 7/2005 Hwang et al. 215/358
D526,883 S * 8/2006 Gilbert D8/312

* cited by examiner

Primary Examiner—Robert M. Spear

Assistant Examiner—Susan Bennett Hattan

(74) *Attorney, Agent, or Firm*—Brinks, Hofer, Gilson, & Lione

(57) **CLAIM**

We claim the ornamental design for a stopper for a bottle, as shown and described.

DESCRIPTION

FIG. 1 is a top perspective view of a stopper for a bottle of the present invention;

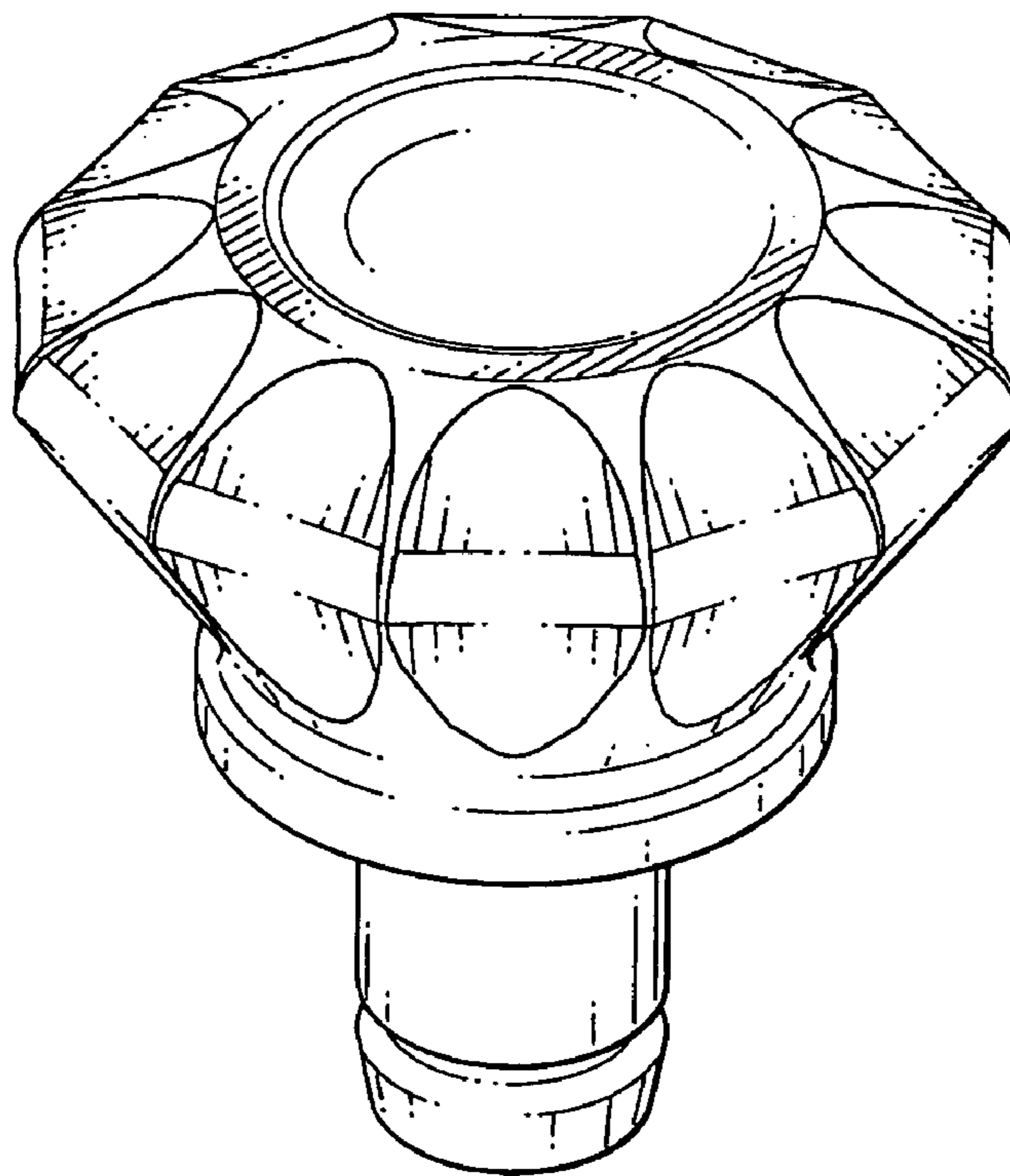
FIG. 2 is a front side view thereof, the rear, left, and right sides being a mirror image of the front side;

FIG. 3 is a top side view thereof; and,

FIG. 4 is a bottom view thereof.

The ornamental design which is claimed is shown in solid lines in the drawings.

1 Claim, 2 Drawing Sheets



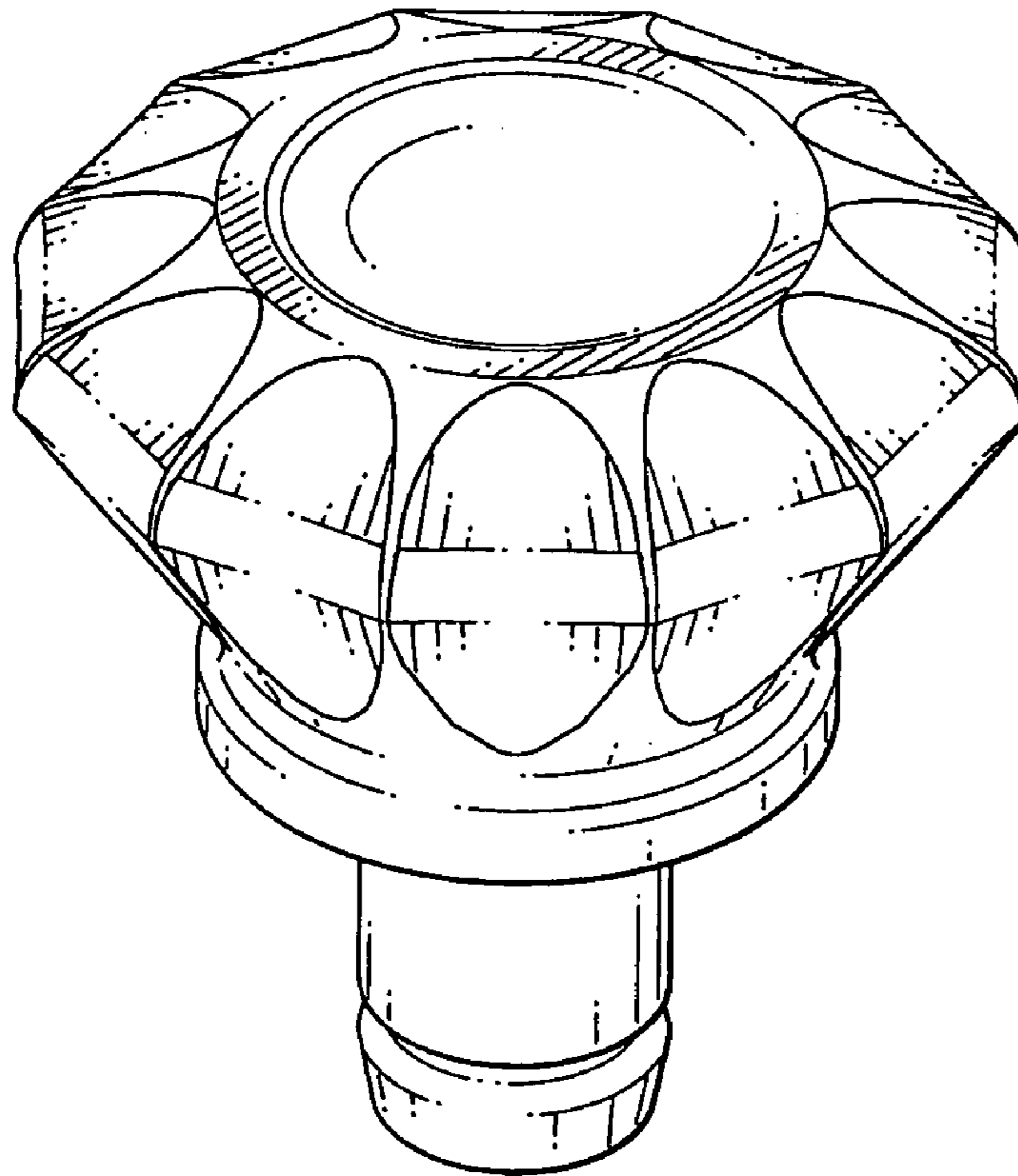


FIG. 1

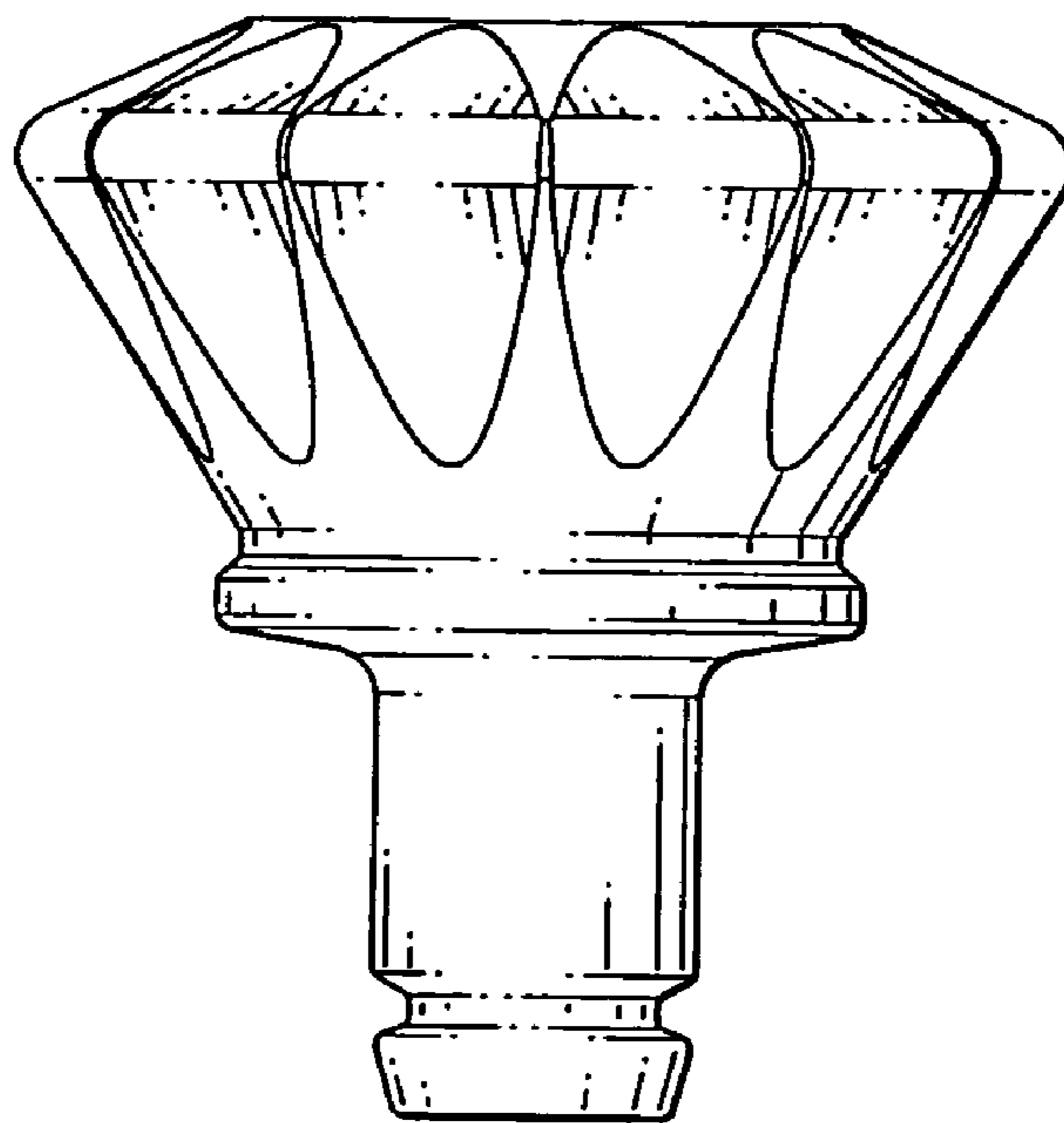


FIG. 2

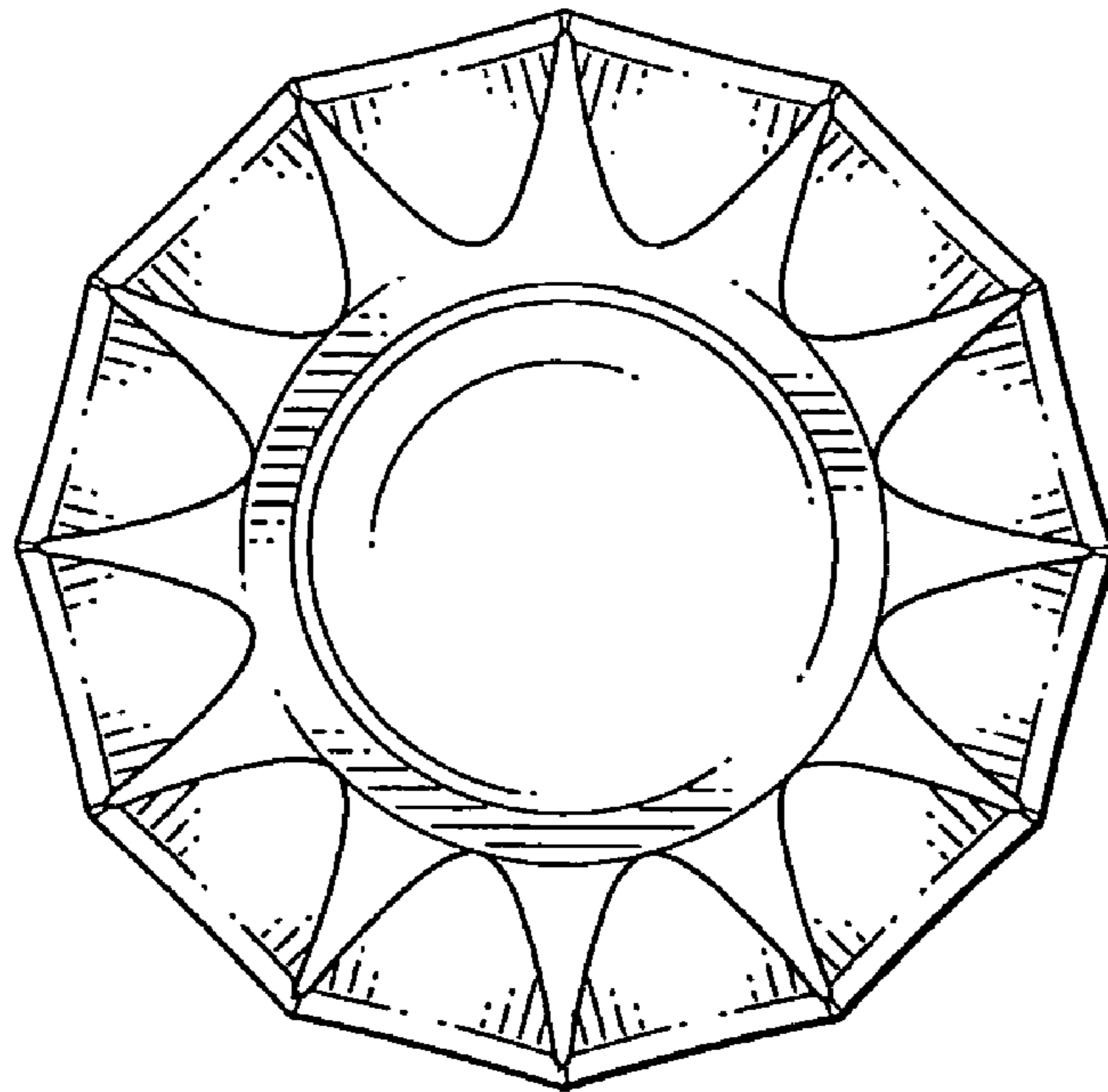


FIG. 3

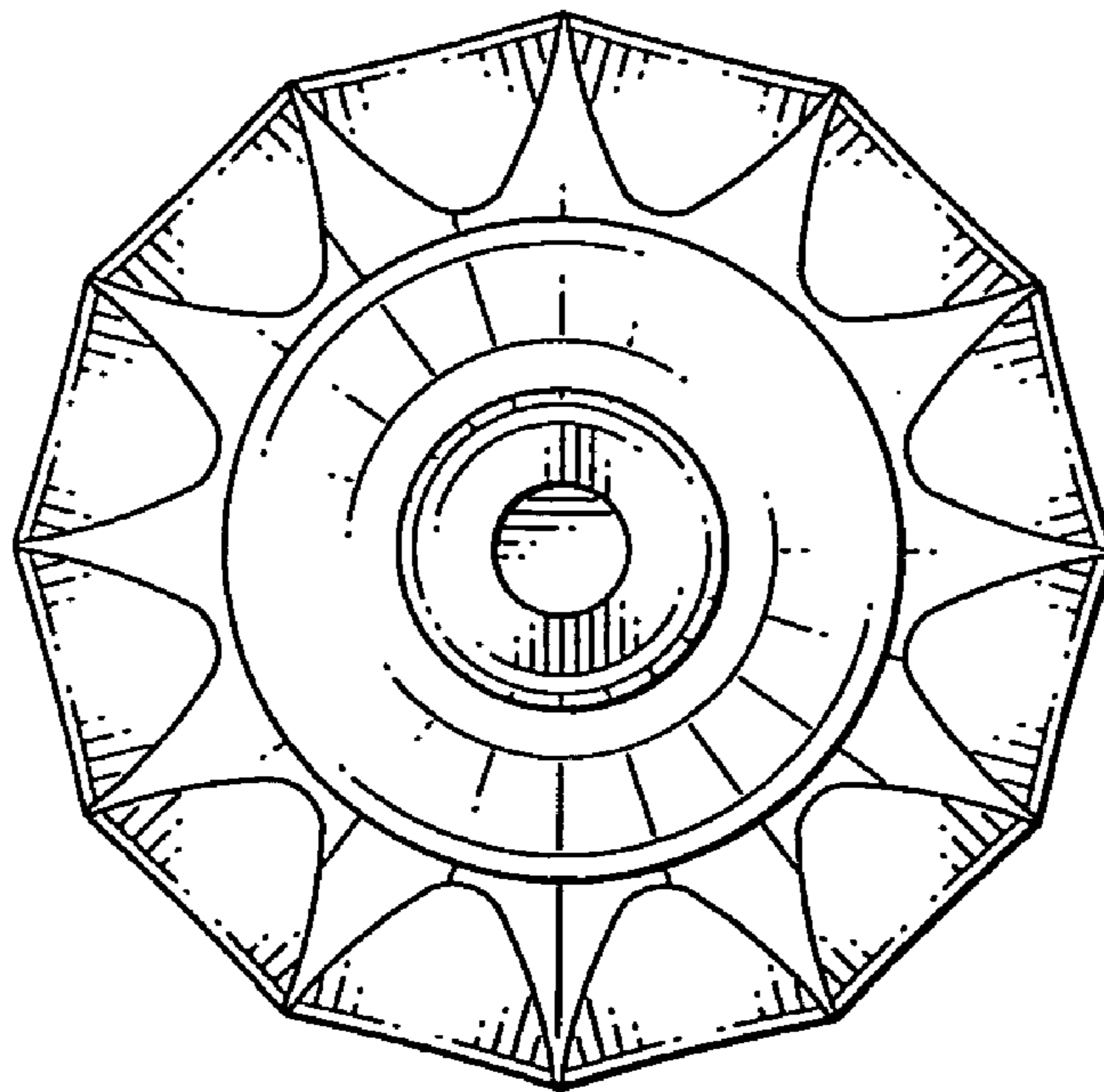


FIG. 4