

US00D549576S

(12) **United States Design Patent**
Gray et al.

(10) **Patent No.:** **US D549,576 S**

(45) **Date of Patent:** **** Aug. 28, 2007**

(54) **CANDY BOX**

D410,196 S * 5/1999 Berg D9/432
D464,261 S * 10/2002 Hereth D9/422

(75) Inventors: **Eric N. Gray**, Layton, UT (US); **Curtis Fulton**, Lone Tree, CO (US); **M. Richard Kay**, Salt Lake City, UT (US); **Rachel Sweet-Martin**, Holladay, UT (US)

* cited by examiner

Primary Examiner—Stella Reid
Assistant Examiner—Mark Goodwin
(74) *Attorney, Agent, or Firm*—Thorpe North & Western LLP

(73) Assignee: **Sweet Candy Company, Inc.**, Salt Lake City, UT (US)

(57) **CLAIM**

(**) Term: **14 Years**

The ornamental design for a candy box, as shown and described.

(21) Appl. No.: **29/257,837**

DESCRIPTION

(22) Filed: **Apr. 11, 2006**

(51) **LOC (8) Cl.** **09-03**

(52) **U.S. Cl.** **D9/432; D9/433**

(58) **Field of Classification Search** D9/414,
D9/415, 419, 422, 430-433; 206/457, 458,
206/822, 216; 229/116.1, 116.5, 153-158,
229/922, 923, 109, 138, 103.3, 117.34, 140;
428/7-10

See application file for complete search history.

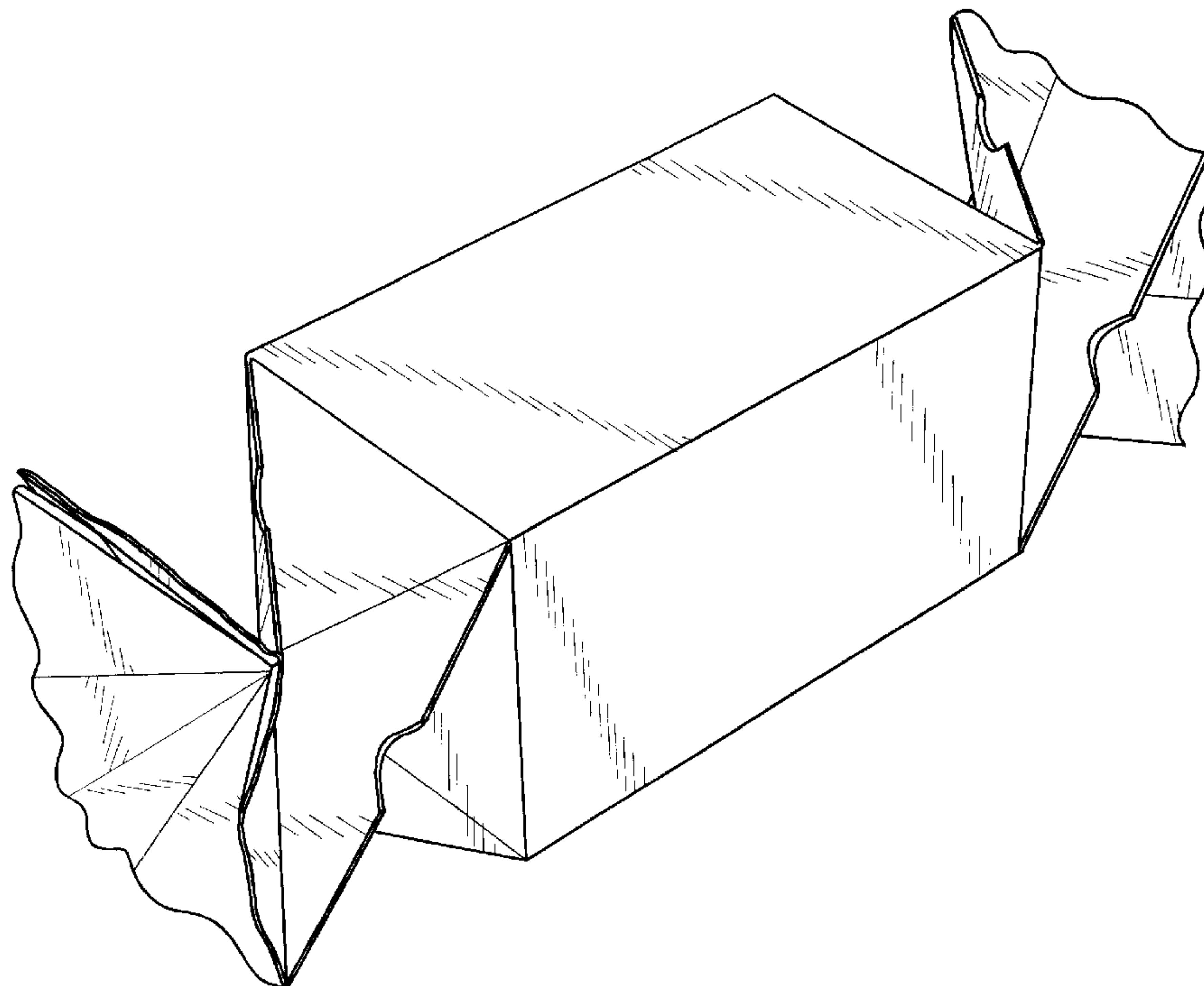
FIG. 1 is a perspective view of a candy box showing my new design in assembled condition;
FIG. 2 is a first side view of the invention shown in FIG. 1;
FIG. 3 is a second side view of the invention as shown in FIG. 1;
FIG. 4 is a third side view of the invention as shown in FIG. 1;
FIG. 5 is a fourth side view of the invention as shown in FIG. 1;
FIG. 6 is a first end view of the invention as shown in FIG. 1;
FIG. 7 is the opposing end view of the invention as shown in FIG. 6; and,
FIG. 8 is a plan view of the invention as shown in FIG. 1 in unassembled condition.
The broken line showing in FIG. 8 represents fold lines.

(56) **References Cited**

U.S. PATENT DOCUMENTS

- 1,815,261 A * 7/1931 Kemp 426/104
- 4,185,767 A * 1/1980 Sykora et al. 229/138
- D261,617 S * 11/1981 Austin, Jr. D9/432
- 5,452,846 A * 9/1995 Myers 229/116.3
- 5,558,272 A * 9/1996 Magister 229/109
- D380,154 S * 6/1997 Ryan D9/432

1 Claim, 3 Drawing Sheets



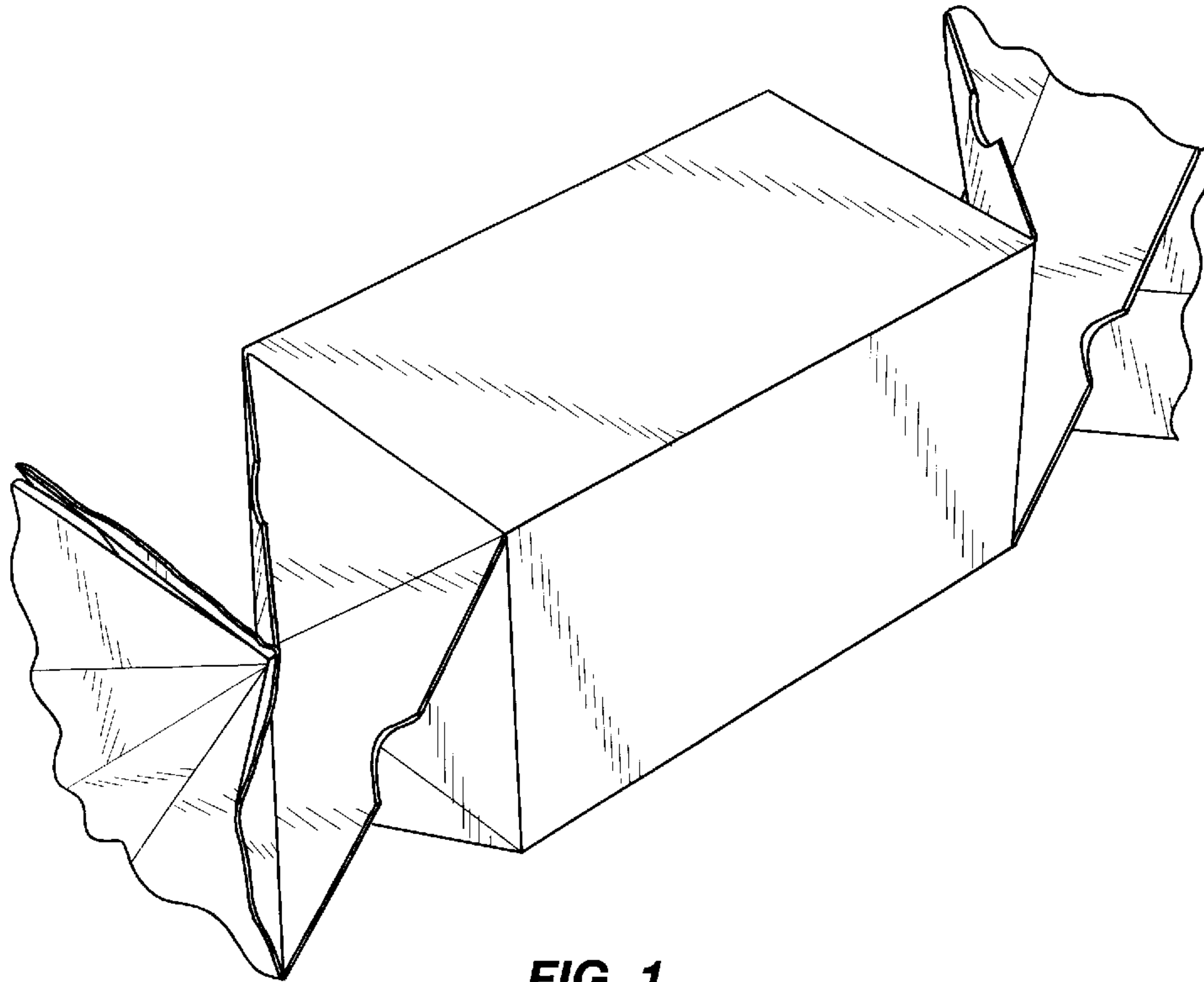


FIG. 1

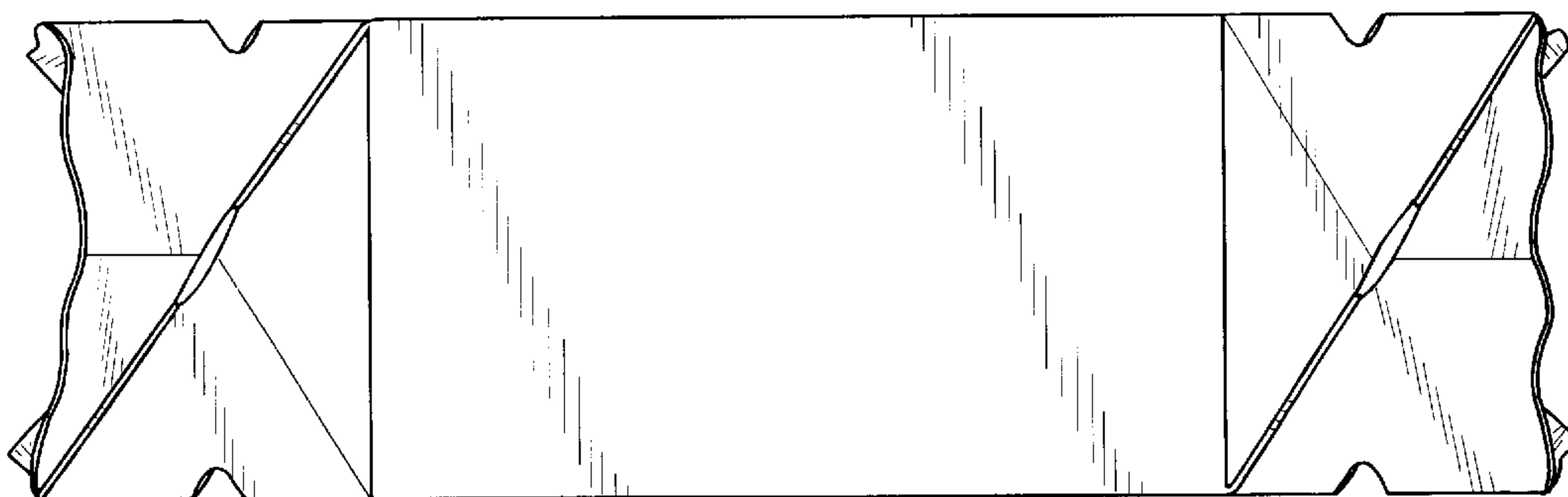


FIG. 2

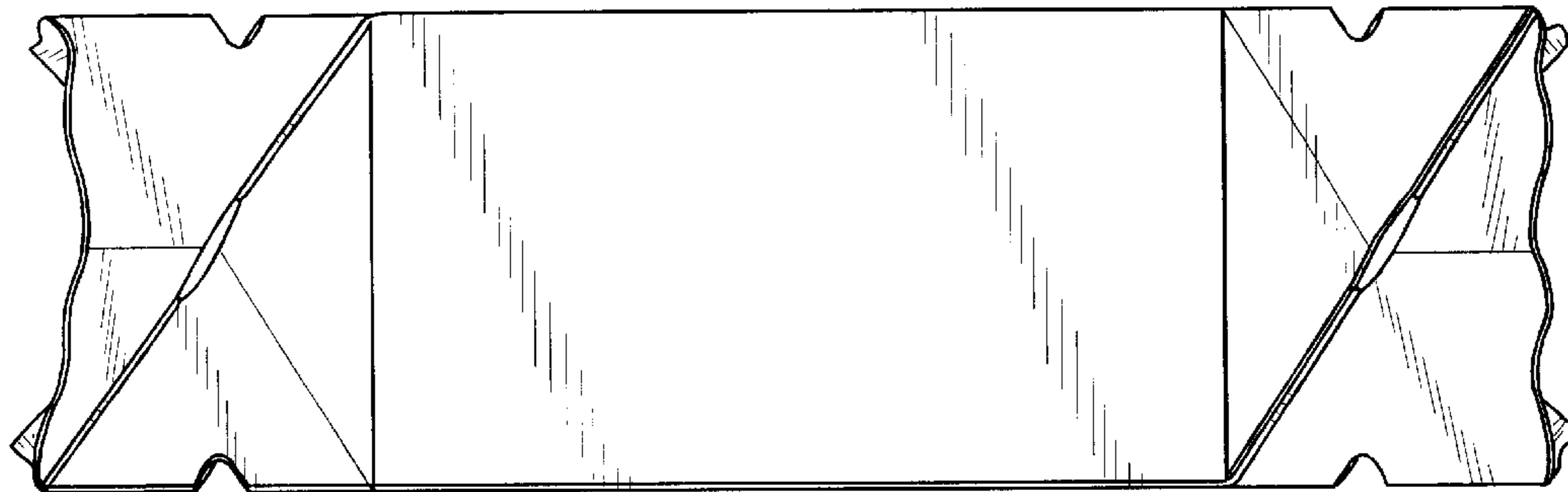


FIG. 3

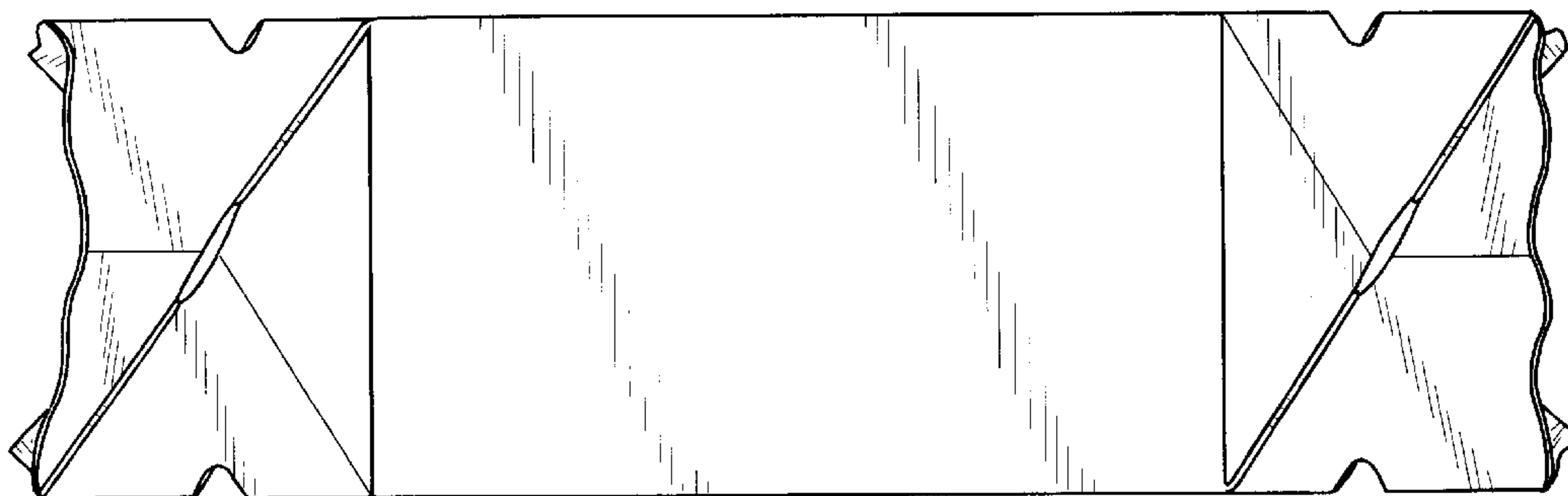


FIG. 4

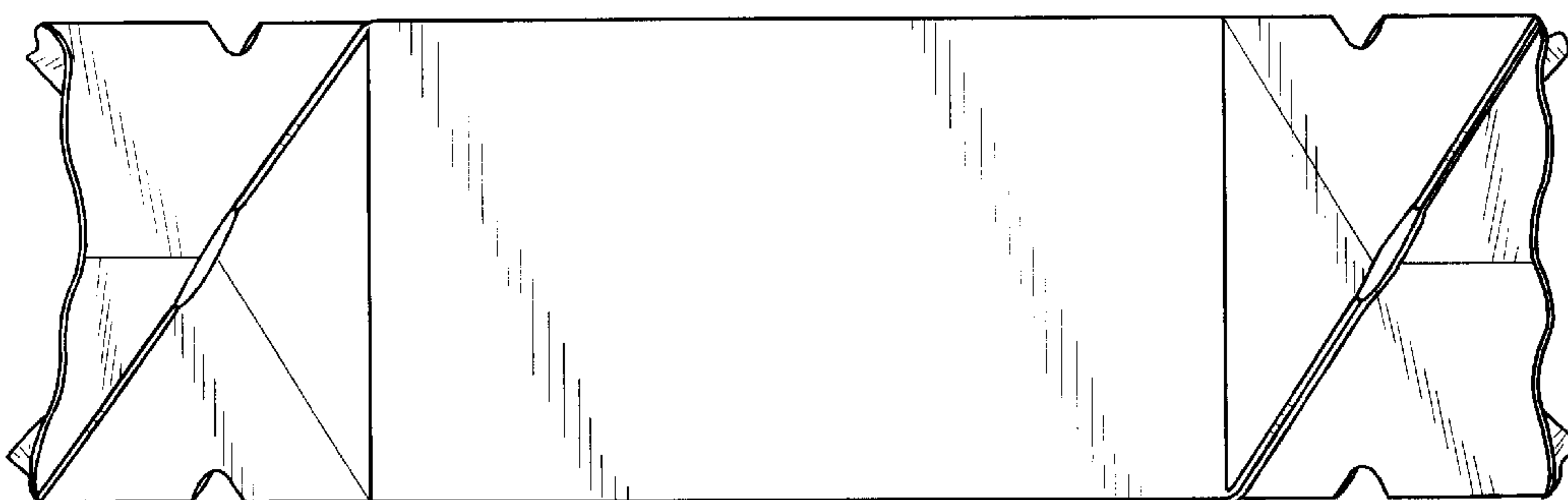


FIG. 5

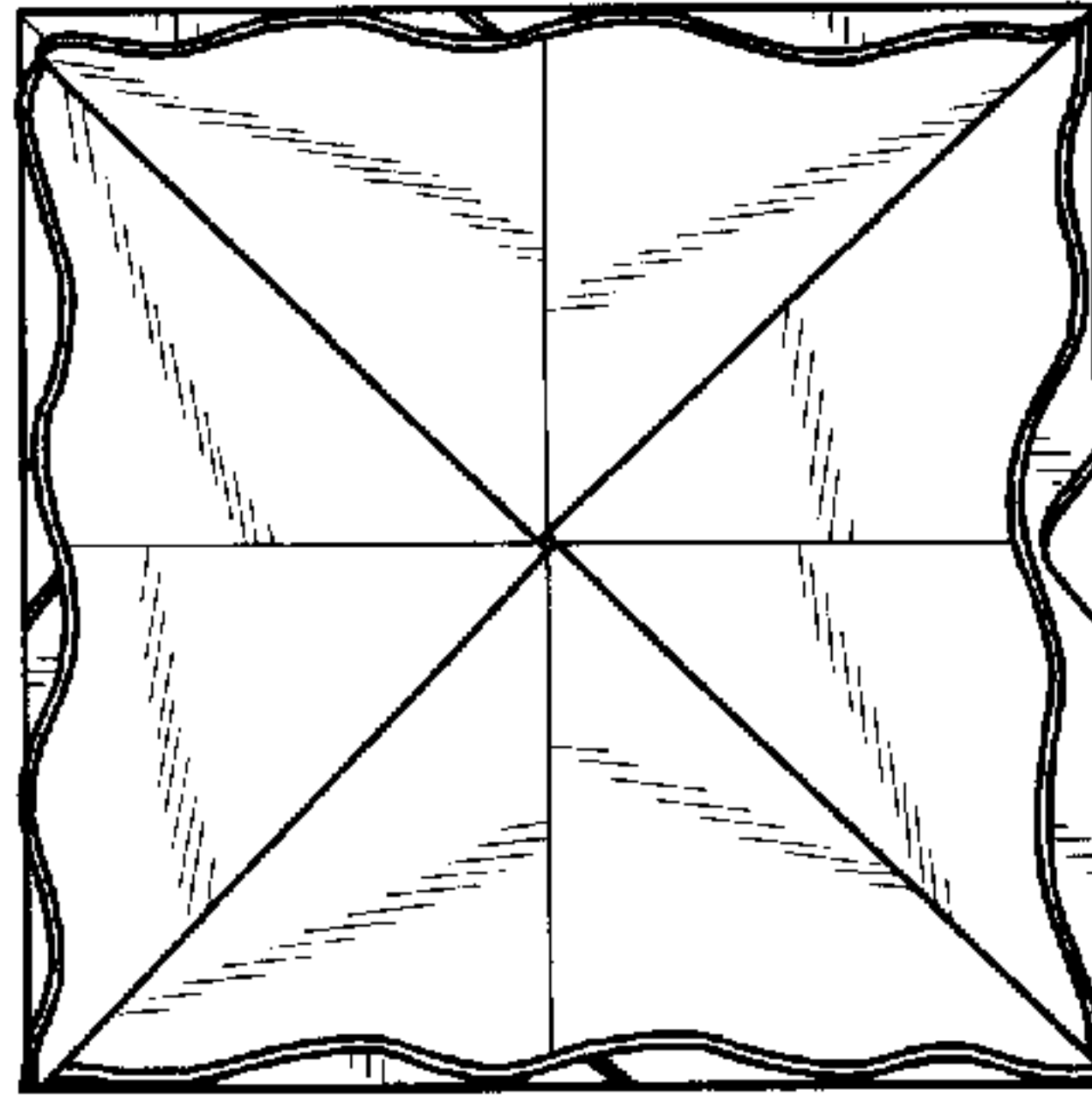


FIG. 6

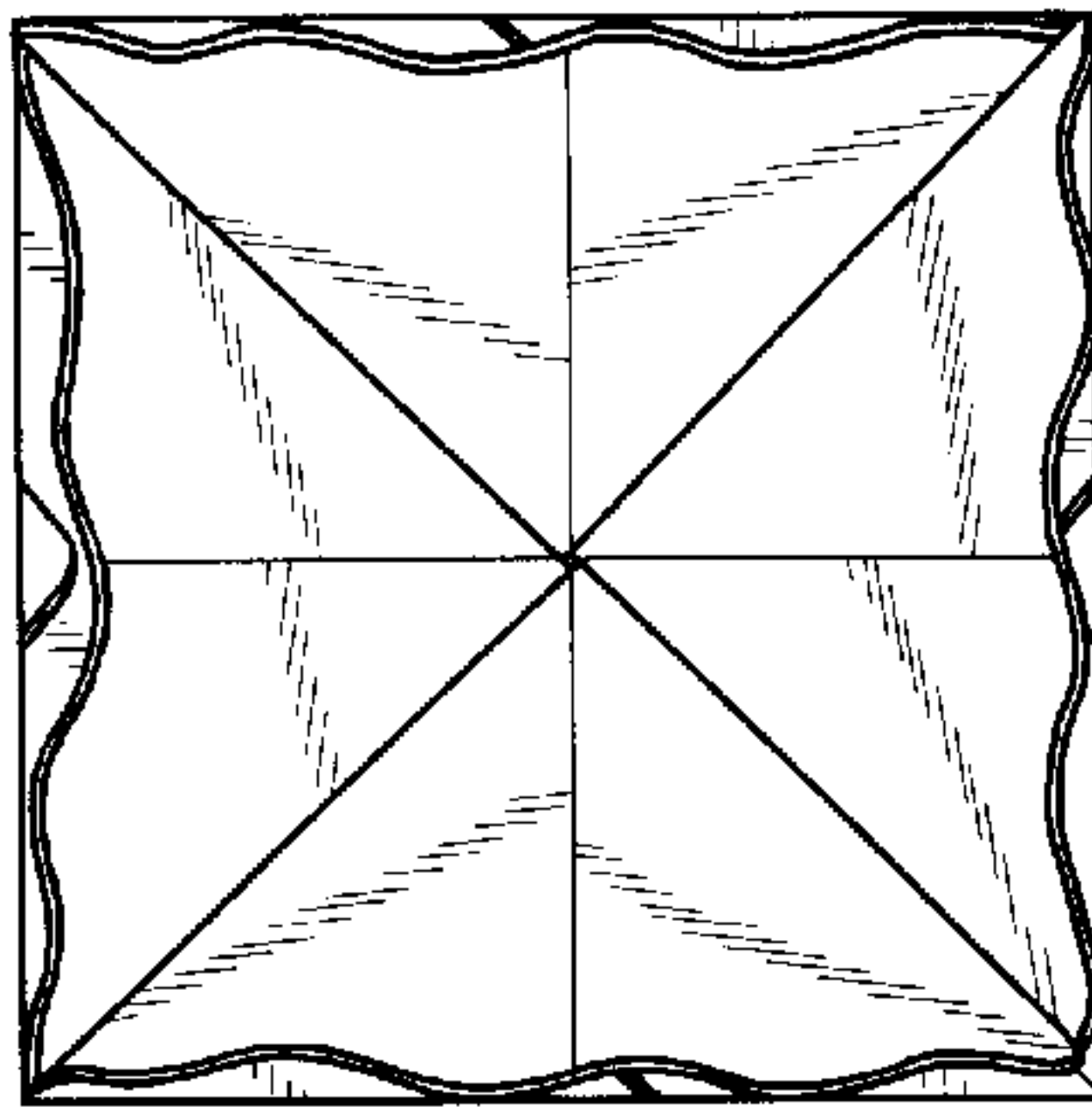


FIG. 7

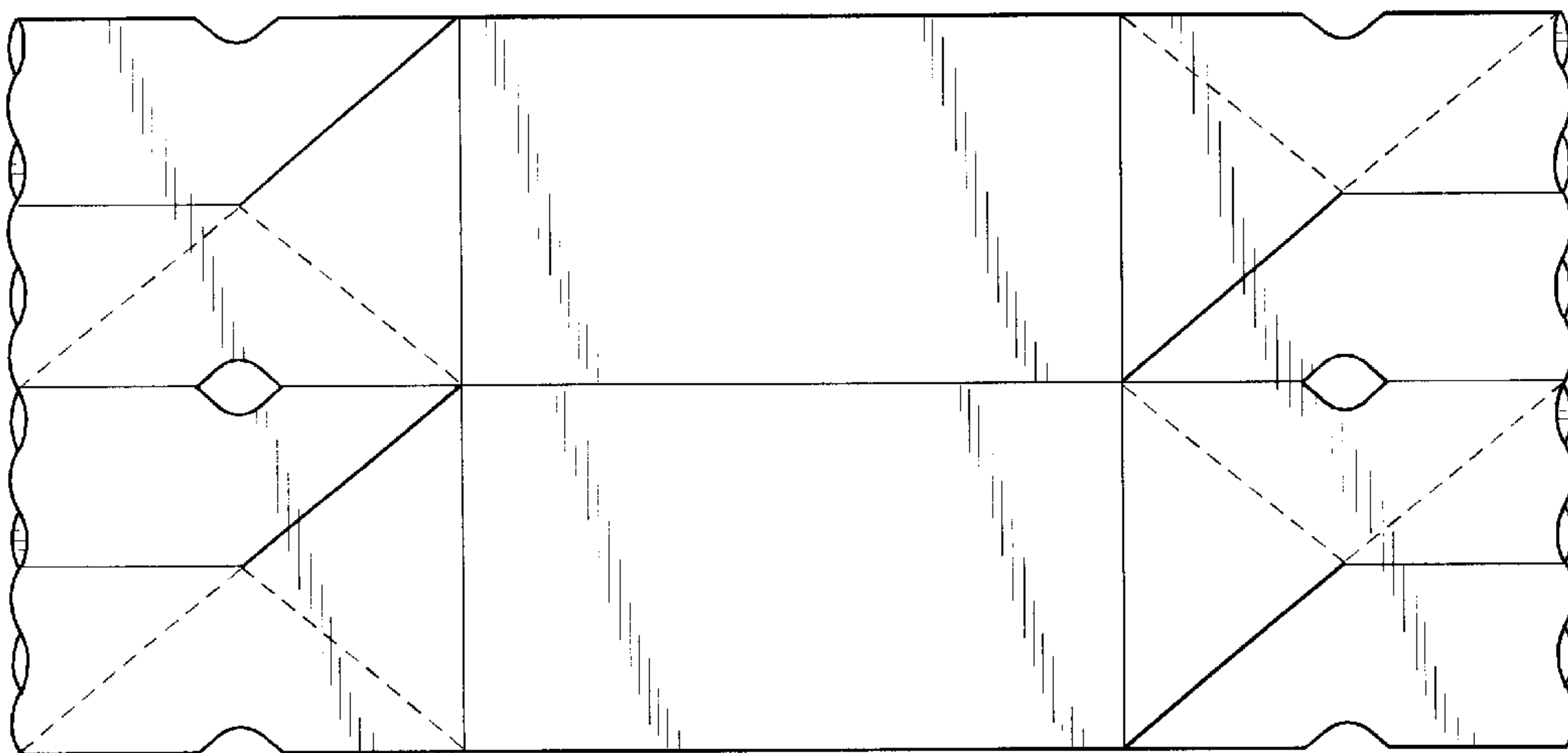


FIG. 8