

US00D549567S

(12) **United States Design Patent**
Hamu

(10) **Patent No.:** **US D549,567 S**

(45) **Date of Patent:** **** Aug. 28, 2007**

(54) **END LUG FOR ROLLER SCREEN FRAME**

(76) **Inventor:** **Alan J. Hamu**, P.O. Box 1288, Sunset Beach, CA (US) 90742

(**) **Term:** **14 Years**

(21) **Appl. No.:** **29/236,280**

(22) **Filed:** **Aug. 15, 2005**

(51) **LOC (8) Cl.** **08-08**

(52) **U.S. Cl.** **D8/397**

(58) **Field of Classification Search** 411/368-369, 411/371.2, 371.5, 418, 427, 429-432, 436, 411/437, 526, 531-538, 542, 544, 81, 88, 411/90-93, 96-98, 103, 114, 106-108, 132-165, 411/172-189, 197, 204, 248, 337, 338, 366.1, 411/366.2, 366.3; 70/229; 301/35.623, 301/111.01; D8/382, 387, 397, 398, 399
See application file for complete search history.

(56) **References Cited**

U.S. PATENT DOCUMENTS

| | | | | | |
|-----------|------|---------|-------------------|-------|----------|
| 1,888,657 | A * | 11/1932 | Buckwalter | | 411/96 |
| 2,925,292 | A * | 2/1960 | Hirschle | | 403/377 |
| 3,433,118 | A * | 3/1969 | Ward | | 411/340 |
| 3,697,119 | A * | 10/1972 | Van Wierst et al. | | 295/49 |
| 4,358,941 | A * | 11/1982 | Zimmer | | 70/229 |
| D268,565 | S * | 4/1983 | Mortus | | D8/397 |
| 4,420,281 | A * | 12/1983 | Dehoff | | 411/392 |
| 4,772,448 | A * | 9/1988 | Popalis et al. | | 376/463 |
| 5,127,176 | A | 7/1992 | Newman | | |
| 6,095,735 | A * | 8/2000 | Weinstein et al. | | 411/221 |
| 6,139,068 | A * | 10/2000 | Burress et al. | | 285/92 |
| 6,158,310 | A * | 12/2000 | Goss et al. | | 81/121.1 |
| 6,394,724 | B1 * | 5/2002 | Kelly et al. | | 411/353 |

| | | | | | |
|--------------|------|---------|------------------|-------|---------|
| 6,461,091 | B2 * | 10/2002 | Herb et al. | | 411/339 |
| D484,785 | S * | 1/2004 | Plumer | | D8/397 |
| 6,695,557 | B2 * | 2/2004 | Hove et al. | | 411/429 |
| D504,141 | S * | 4/2005 | Charland et al. | | D15/139 |
| 2002/0110436 | A1 * | 8/2002 | Nance et al. | | 411/108 |
| 2003/0202860 | A1 * | 10/2003 | Wilson | | 411/429 |
| 2004/0101384 | A1 * | 5/2004 | Schilling et al. | | 411/537 |
| 2004/0126202 | A1 * | 7/2004 | Somers et al. | | 411/429 |
| 2005/0025607 | A1 * | 2/2005 | Guantonio | | 411/222 |

FOREIGN PATENT DOCUMENTS

| | | | |
|----|-----------|------|--------|
| DE | 3531676 | A1 * | 3/1986 |
| FR | 2640336 | A1 * | 6/1990 |
| WO | WO8501090 | A1 * | 3/1985 |

* cited by examiner

Primary Examiner—T. Chase Nelson
Assistant Examiner—Karen Acker
(74) *Attorney, Agent, or Firm*—Boniard I. Brown

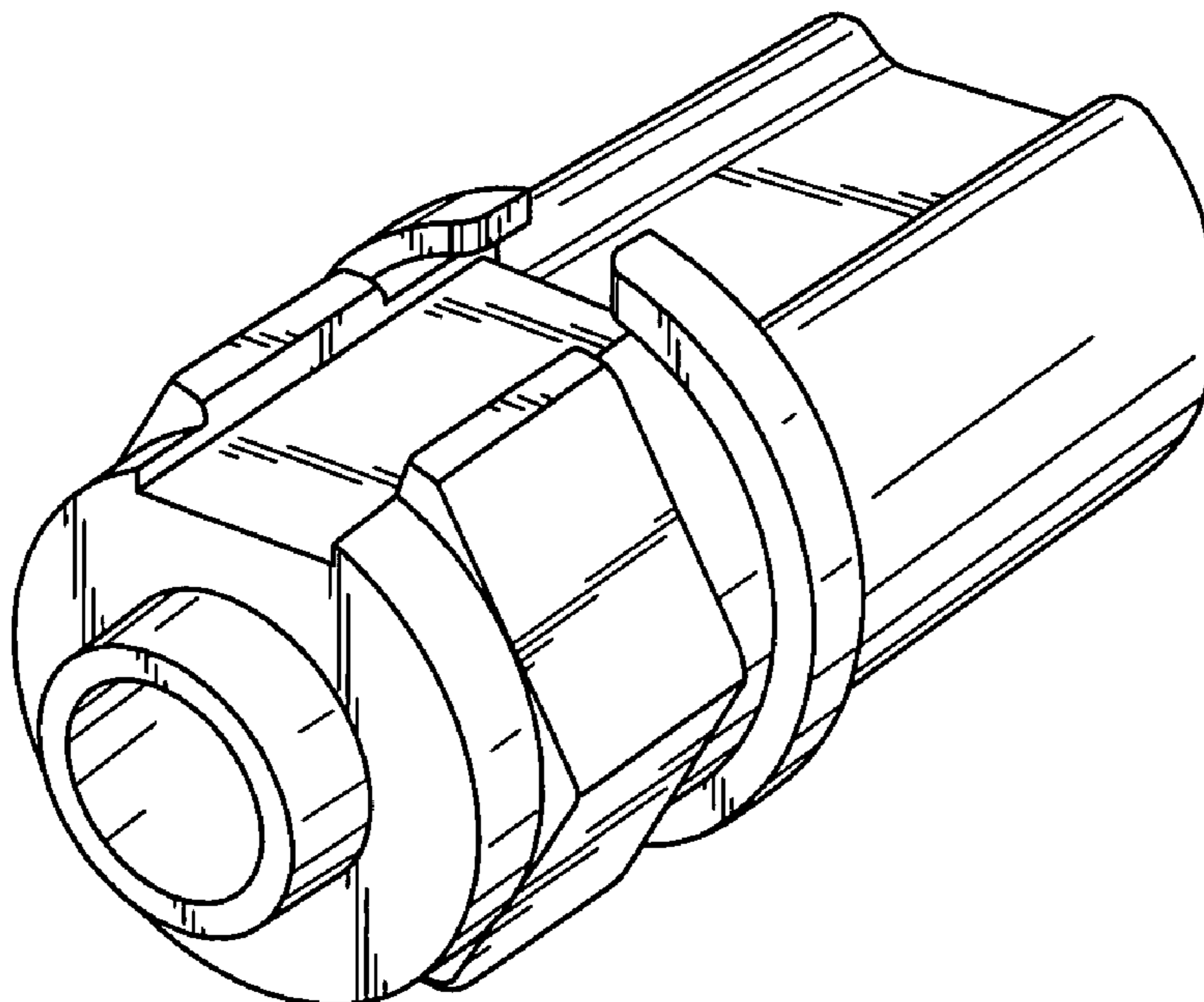
(57) **CLAIM**

The ornamental design for an end lug for roller screen frame, as shown and described.

DESCRIPTION

FIG. 1 is a front perspective view of an end lug for roller screen frame, showing my new design;
FIG. 2 is a top plan view thereof;
FIG. 3 is a right side elevational view thereof, the left side being a mirror image;
FIG. 4 is a front end view thereof;
FIG. 5 is a rear end view thereof; and,
FIG. 6 is a bottom plan view thereof.

1 Claim, 2 Drawing Sheets



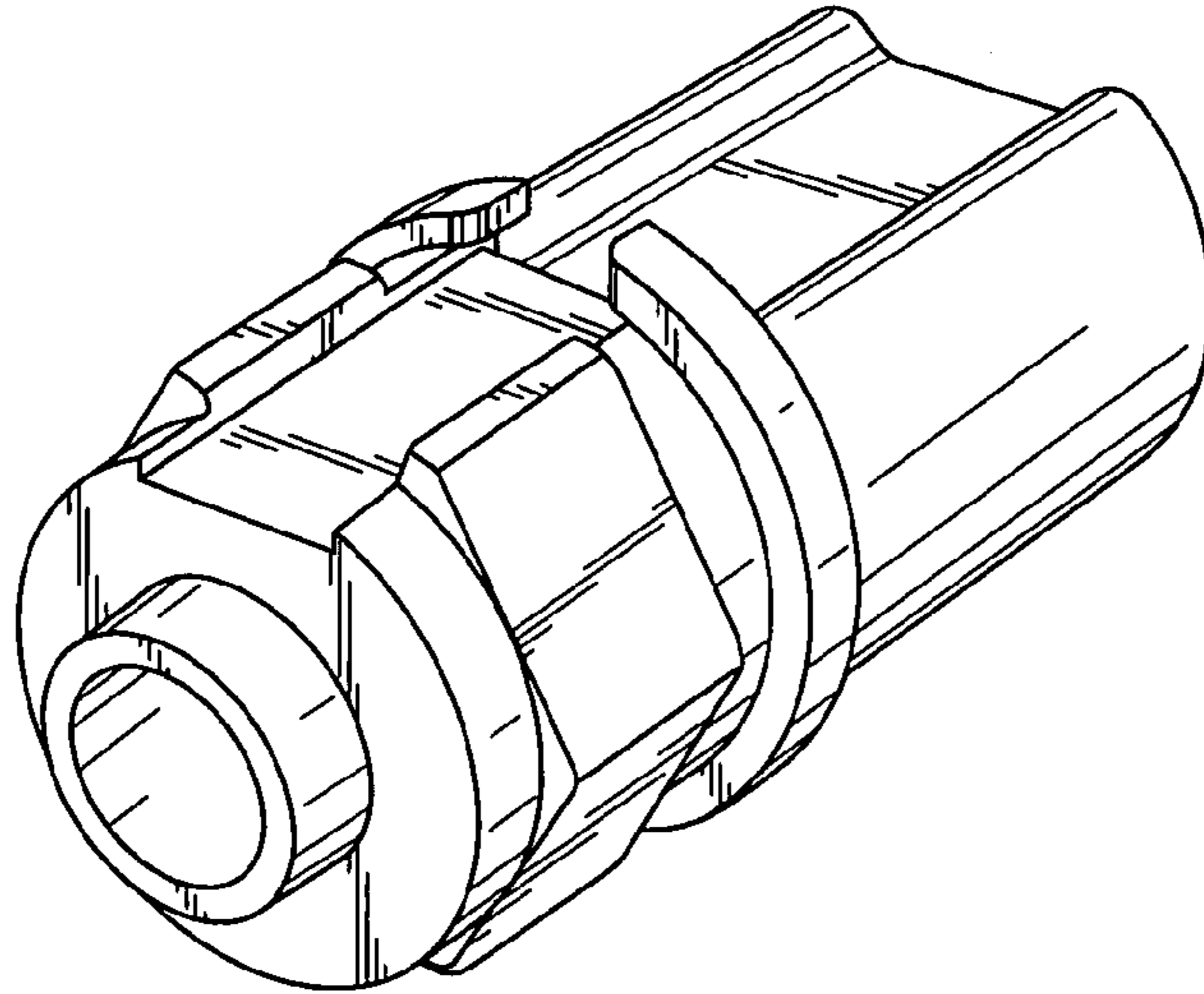


FIG. 1

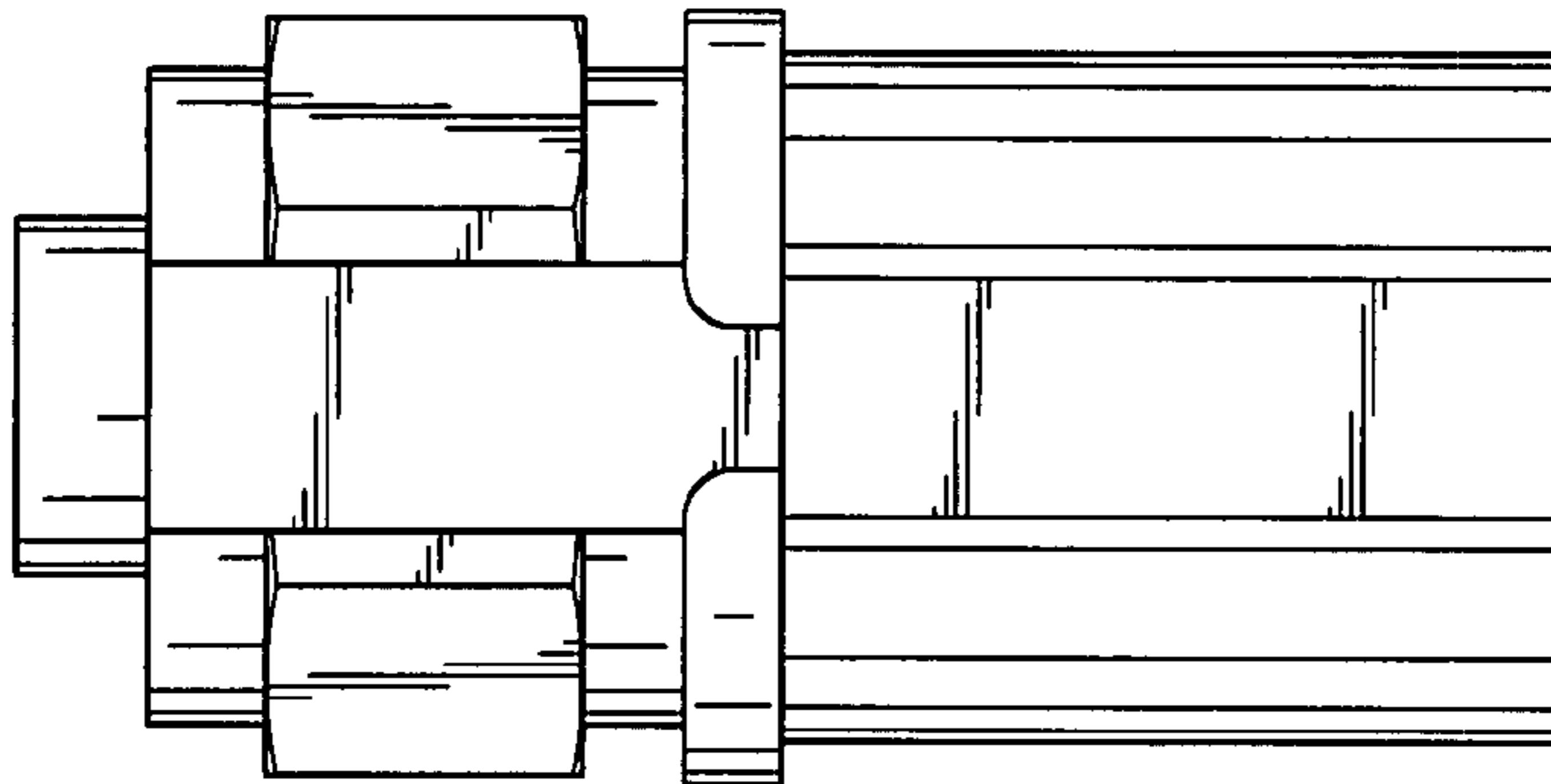


FIG. 2

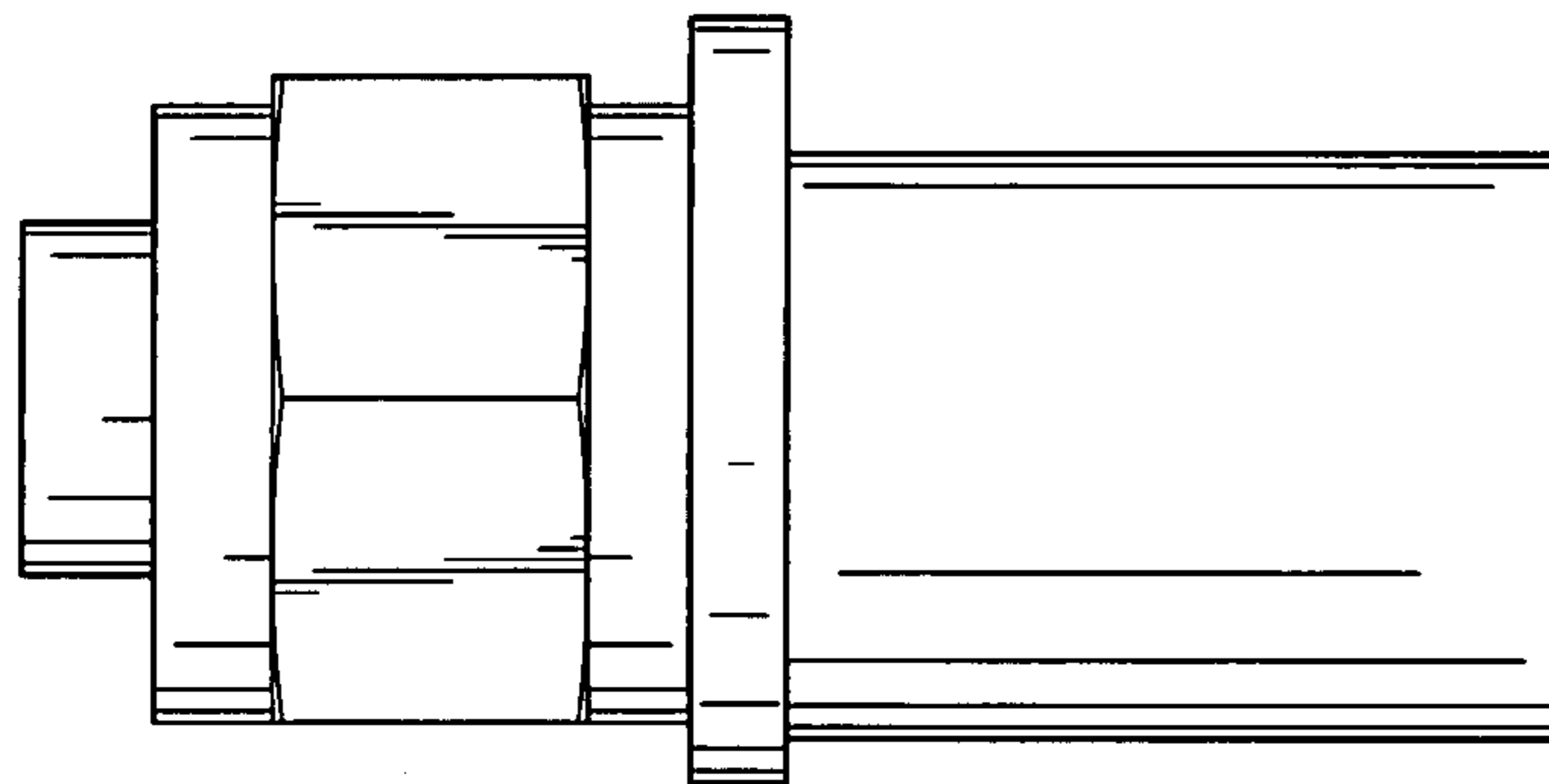


FIG. 3

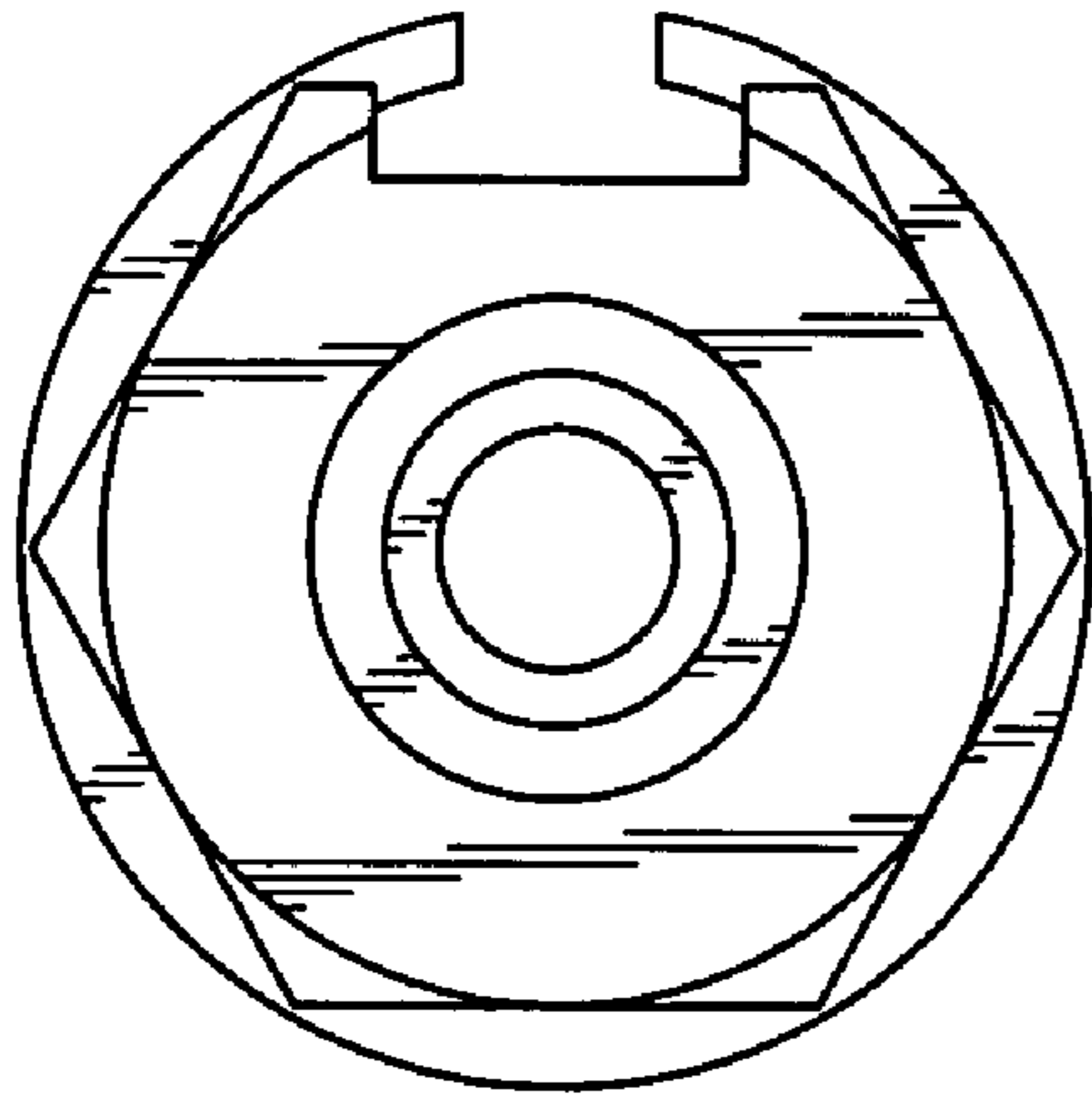


FIG. 4

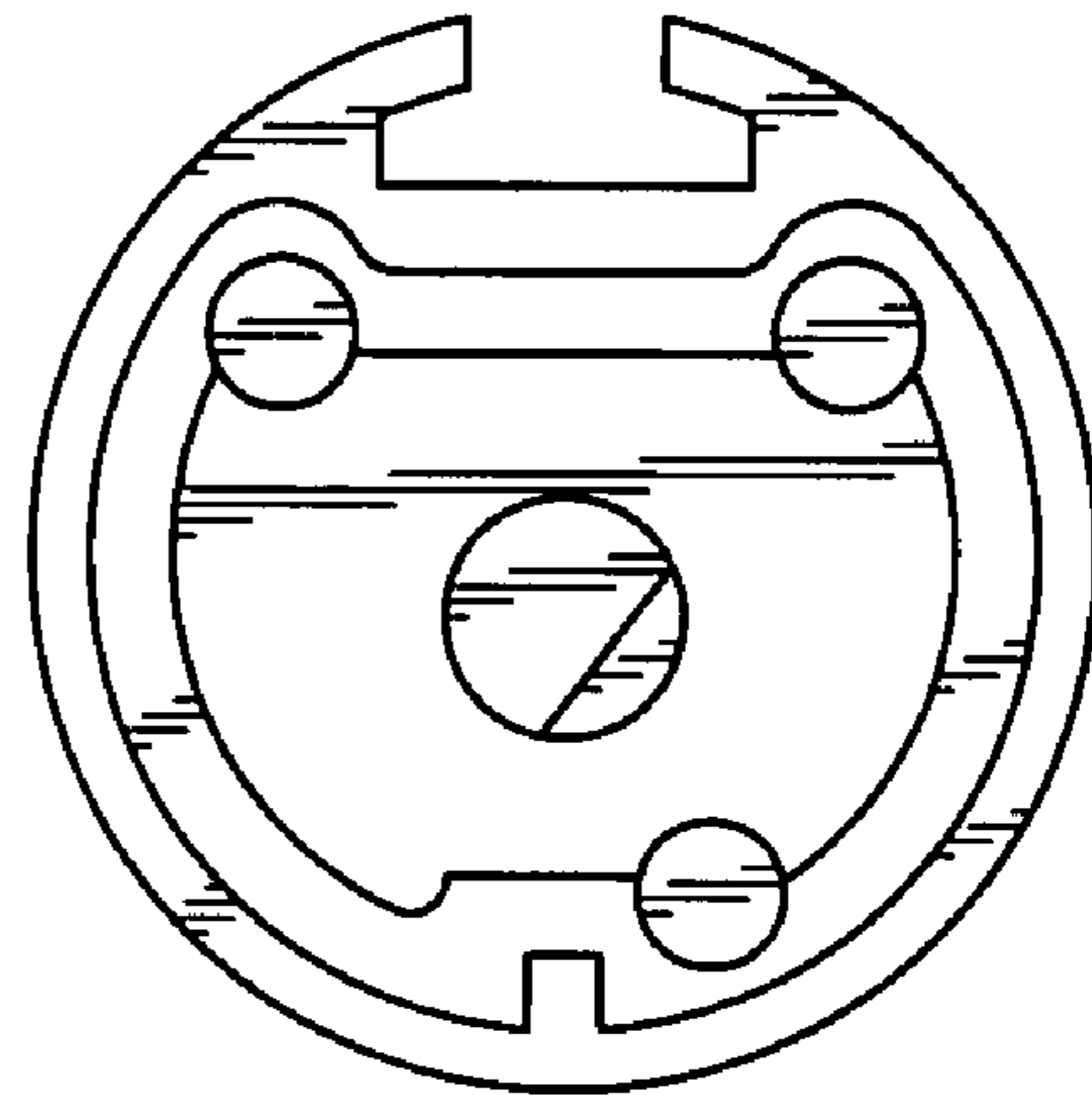


FIG. 5

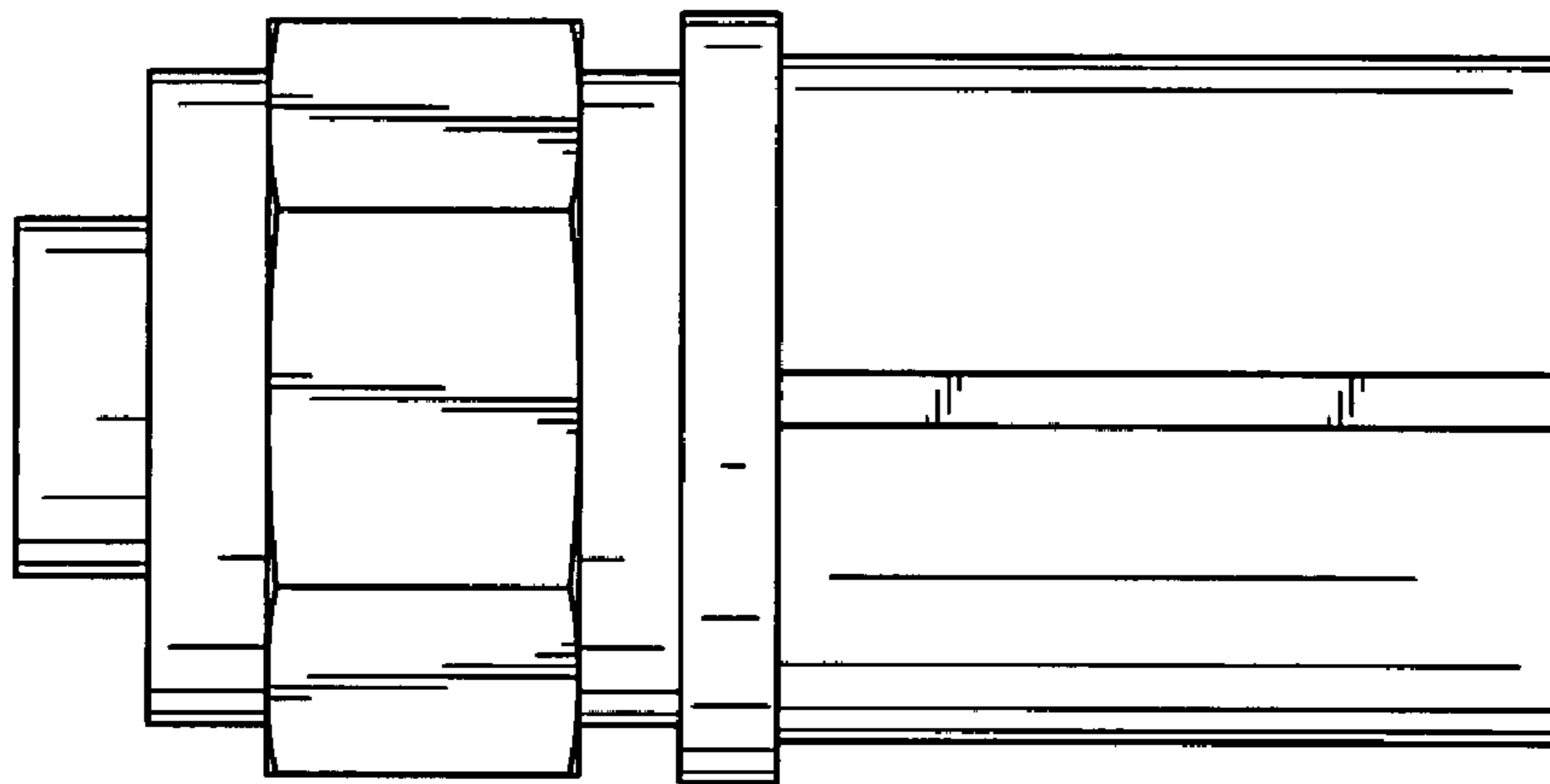


FIG. 6