



US00D549566S

(12) **United States Design Patent**
Kamiya

(10) **Patent No.:** **US D549,566 S**

(45) **Date of Patent:** **** Aug. 28, 2007**

(54) **CLIP**

D520,865 S * 5/2006 Wakabayashi D8/396
2004/0238698 A1* 12/2004 Shereyk et al. 248/71

(75) Inventor: **Haruhisa Kamiya**, Okazaki (JP)

FOREIGN PATENT DOCUMENTS

(73) Assignee: **Daiwa Kasei Kogyo Kabushiki Kaisha**, Aichi-ken (JP)

JP	1061703	11/1999
JP	1102087	12/2000
JP	1102088	12/2000

(**) Term: **14 Years**

* cited by examiner

(21) Appl. No.: **29/265,354**

Primary Examiner—Louis S Zarfaz

(22) Filed: **Aug. 31, 2006**

Assistant Examiner—John Windmuller

(51) **LOC (8) Cl.** **08-08**

(52) **U.S. Cl.** **D8/395**

(58) **Field of Classification Search** D8/356,
D8/371, 394–396; D19/65; 24/22, 67 R,
24/20 S, 115 R, 546, 563, 910, 343, 67.9;
248/74.2, 215, 227.1, 49, 300, 301, 316.7,
248/51, 489

(74) *Attorney, Agent, or Firm*—Dennison, Schultz & Macdonald

See application file for complete search history.

(57) **CLAIM**

The ornamental design for a clip, as shown and described.

(56) **References Cited**

U.S. PATENT DOCUMENTS

D209,171 S	*	11/1967	Myatt	D8/394
D289,009 S	*	3/1987	Salacuse	D8/373
D292,554 S	*	11/1987	Yagi	D8/396
4,735,387 A	*	4/1988	Hirano et al.	248/71
D305,099 S	*	12/1989	Naruse et al.	D8/396

DESCRIPTION

FIG. 1 is a perspective view as viewed from the bottom side of the clip showing my new design;

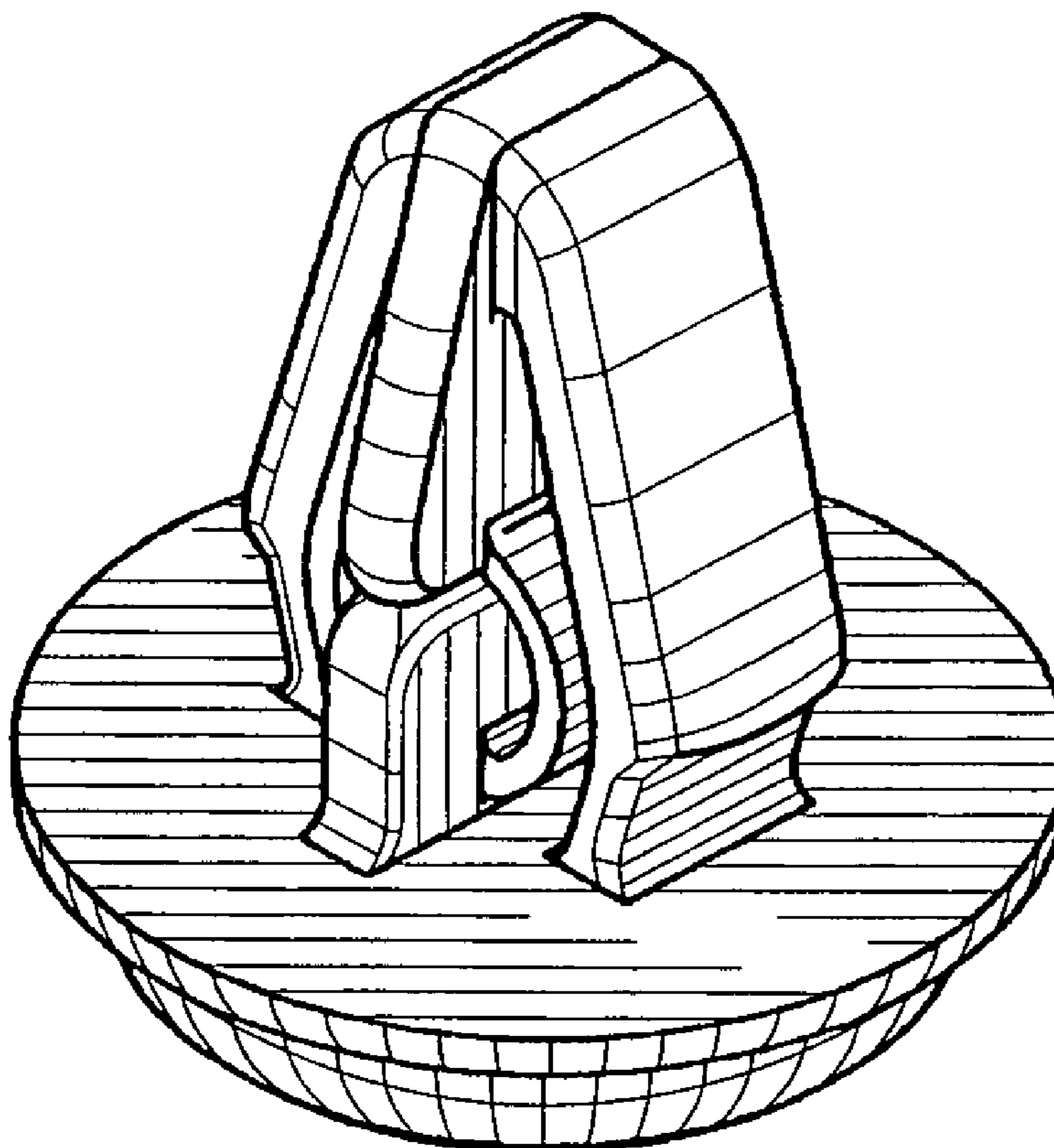
FIG. 2 is a front elevation view thereof;

FIG. 3 is a right side elevation view thereof;

FIG. 4 is a top plan view thereof; and,

FIG. 5 is a bottom plan view thereof.

1 Claim, 3 Drawing Sheets



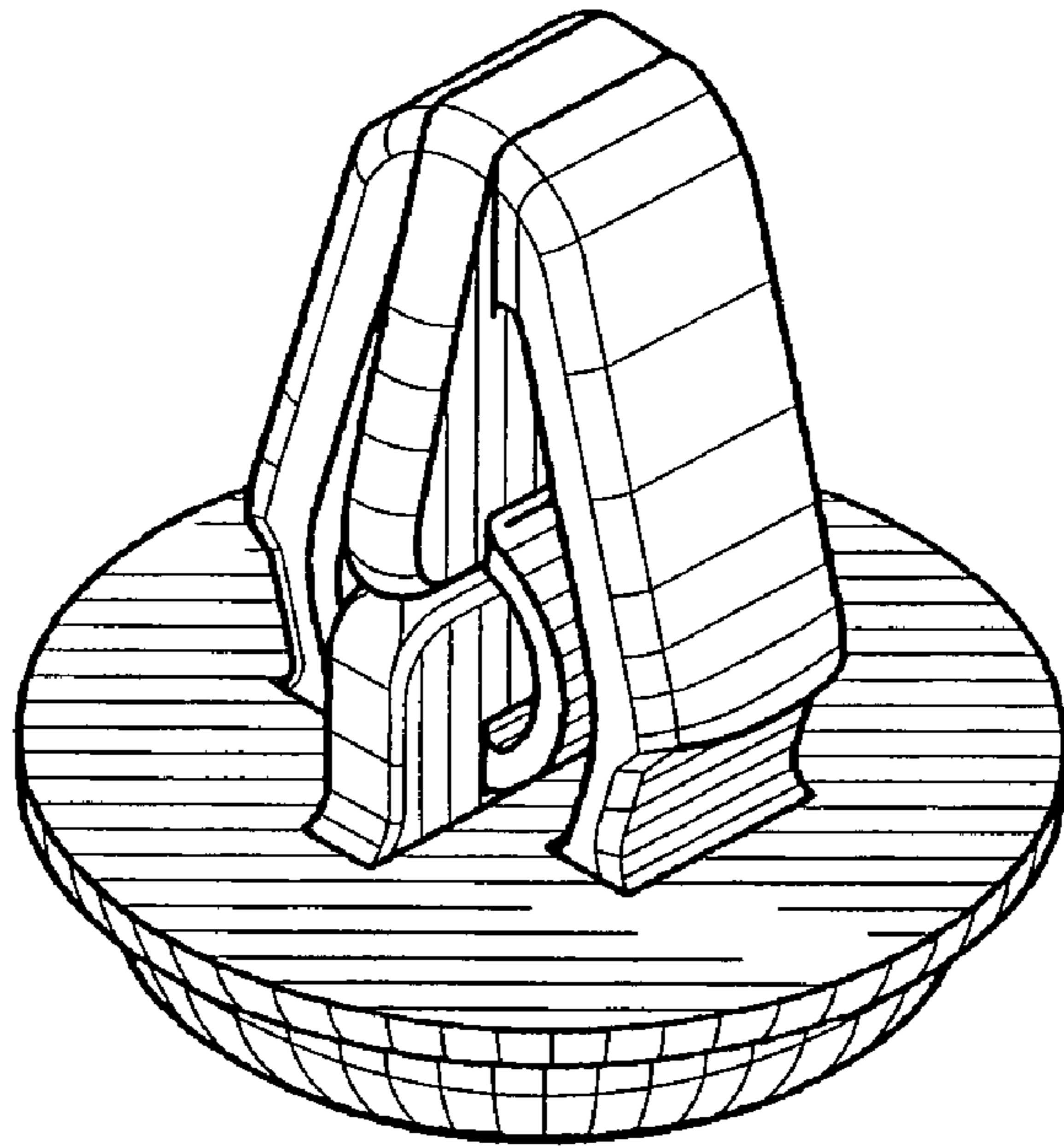


FIG. 1

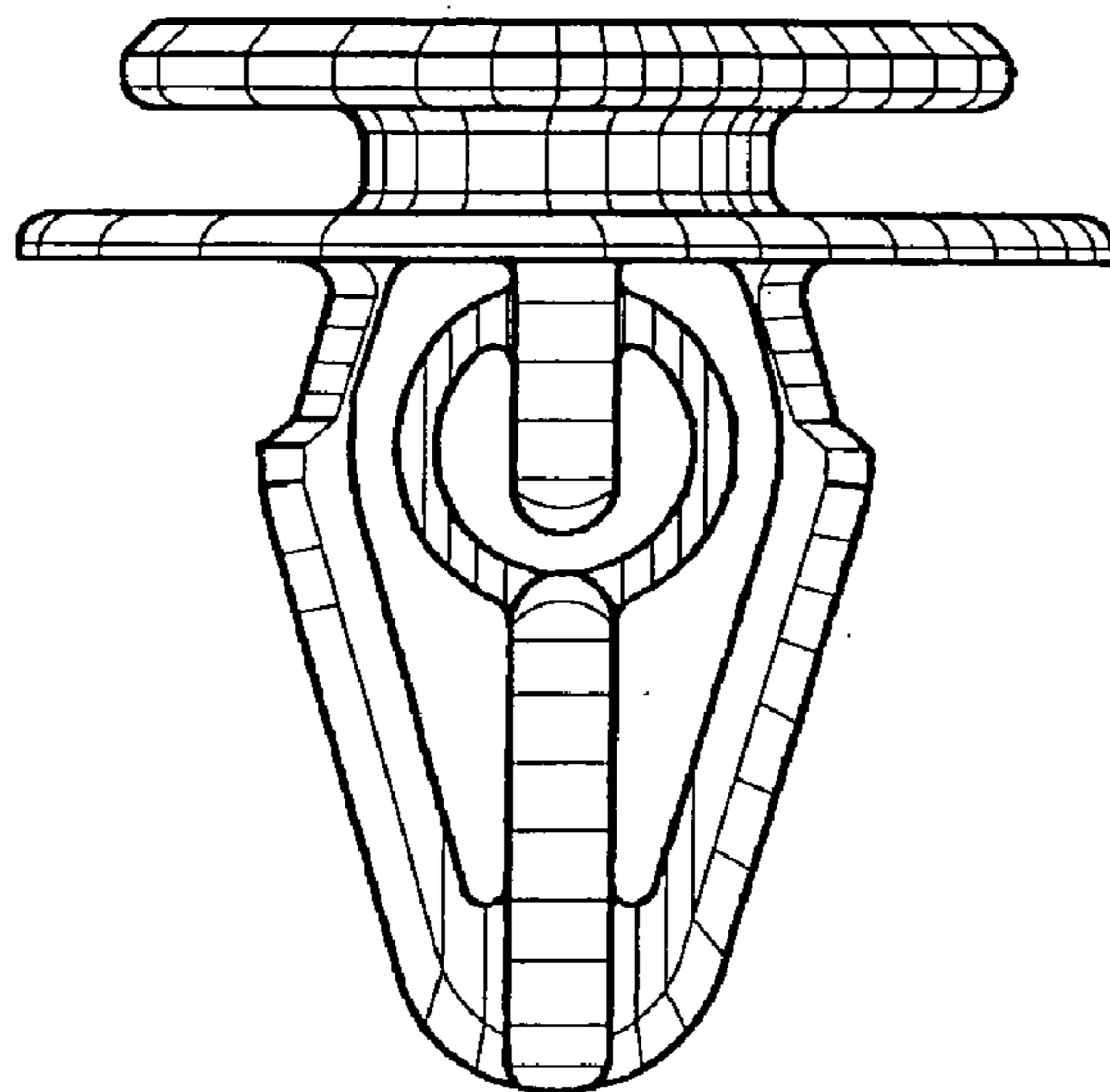


FIG. 2

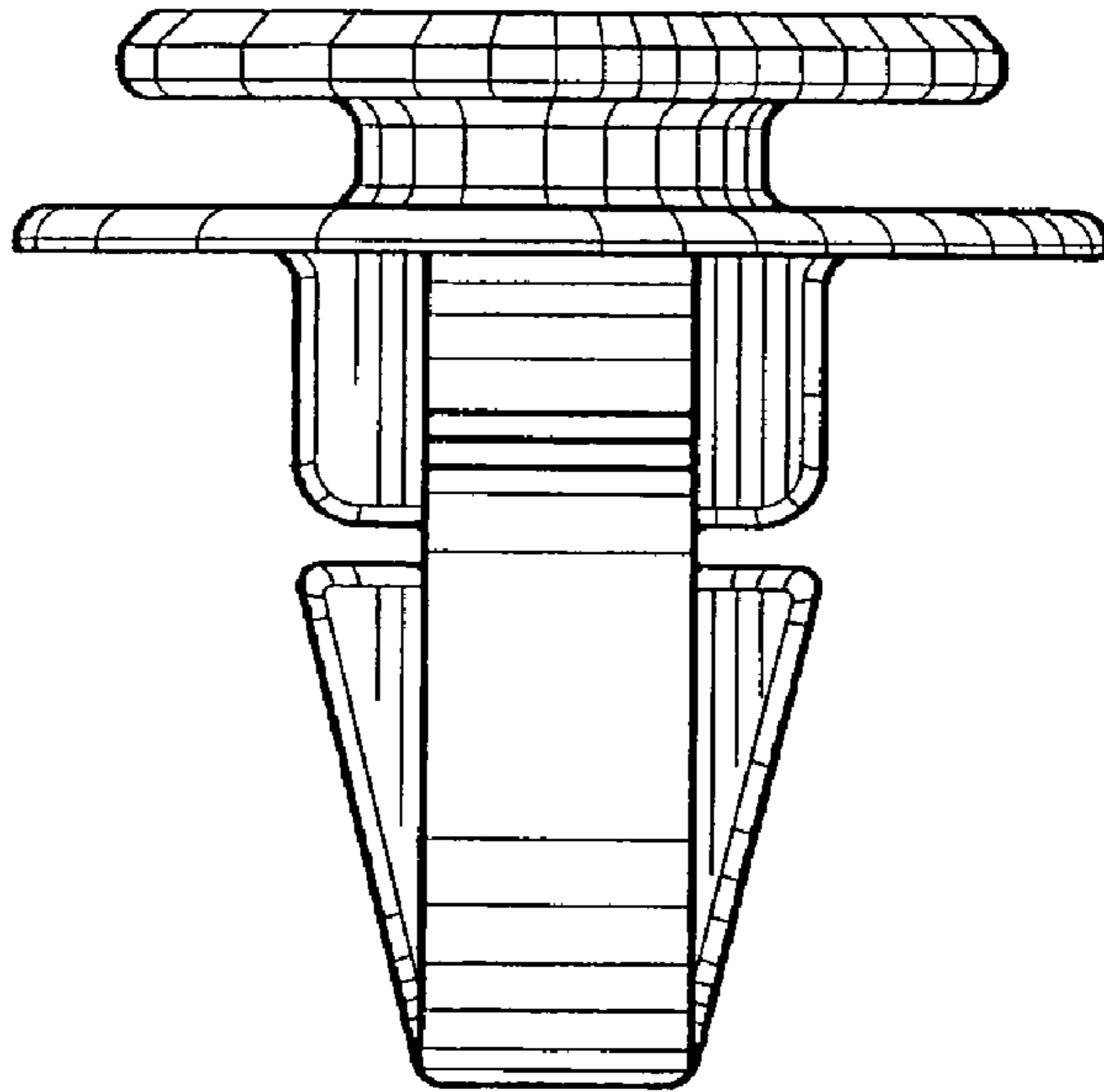


FIG. 3

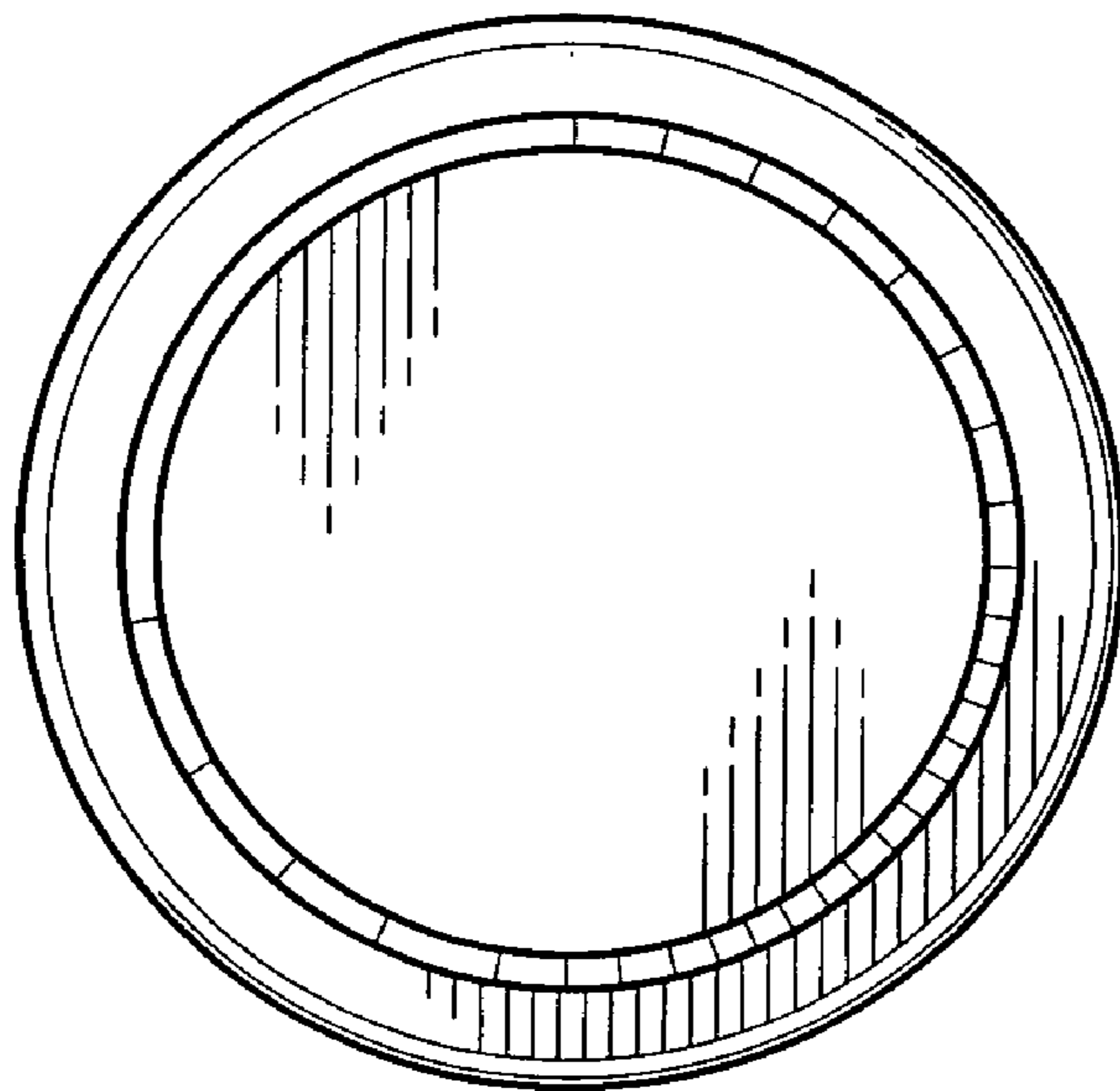


FIG. 4

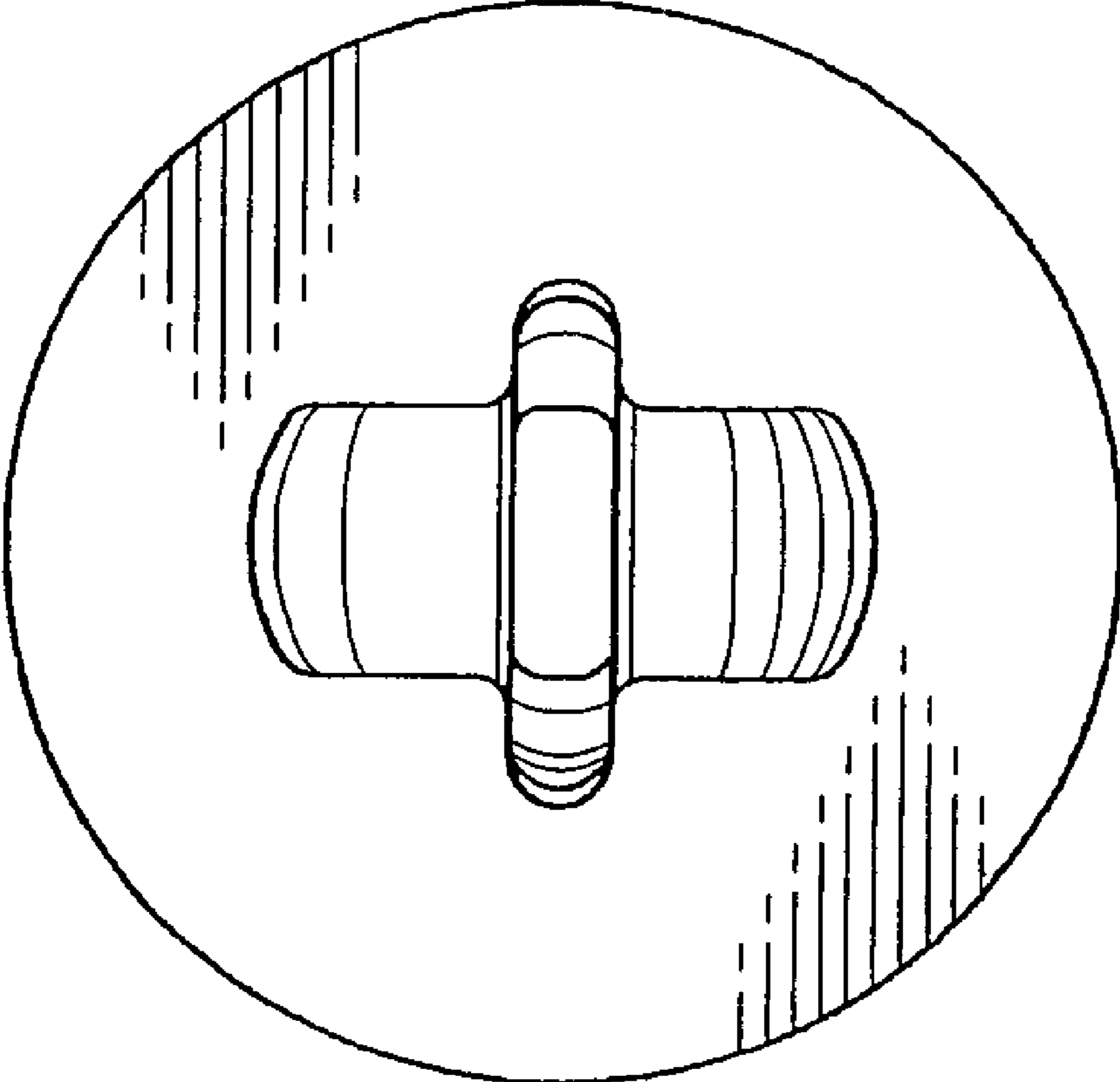


FIG. 5