



US00D549565S

(12) **United States Design Patent**  
**Cox et al.**

(10) **Patent No.:** **US D549,565 S**  
(45) **Date of Patent:** **\*\* Aug. 28, 2007**

- (54) **CLIP**
- (75) Inventors: **Johnny Cox**, Rowlett, TX (US); **Trevor Jackson**, Kirtland, OH (US); **Harry Klaus**, Mars, PA (US)
- (73) Assignee: **Emerald Innovations L.L.C.**, Butler, PA (US)
- (\*\*) Term: **14 Years**
- (21) Appl. No.: **29/253,311**
- (22) Filed: **Feb. 3, 2006**

- D368,018 S 3/1996 McDowell et al.
- D376,535 S 12/1996 Gary et al.
- D376,973 S 12/1996 Brown
- D377,844 S 2/1997 Gary et al.
- D378,439 S 3/1997 Gary et al.
- D383,666 S 9/1997 Adams
- 5,669,709 A 9/1997 Adams
- D396,184 S 7/1998 Adams et al.
- D405,681 S 2/1999 McDowell et al.
- D406,383 S 3/1999 Adams
- D414,291 S 9/1999 Gary et al.
- D416,788 S 11/1999 Jones et al.
- D417,612 S 12/1999 Jones
- D421,565 S 3/2000 Jones et al.
- D422,203 S 4/2000 Gary et al.

- (51) **LOC (8) Cl.** ..... **08-08**
  - (52) **U.S. Cl.** ..... **D8/394**
  - (58) **Field of Classification Search** ..... D8/356,  
D8/371, 394-396; D19/65; 24/22, 67 R,  
24/20 S, 115 R, 546, 563, 910, 343, 67.9;  
248/74.2, 215, 227.1, 49, 300, 301, 316.7,  
248/51, 489
- See application file for complete search history.

(Continued)

*Primary Examiner*—Louis S. Zarfes  
*Assistant Examiner*—John Windmuller  
(74) *Attorney, Agent, or Firm*—Calfee, Halter & Griswold, LLP

(57) **CLAIM**

The ornamental design for a clip, as shown and described.

(56) **References Cited**

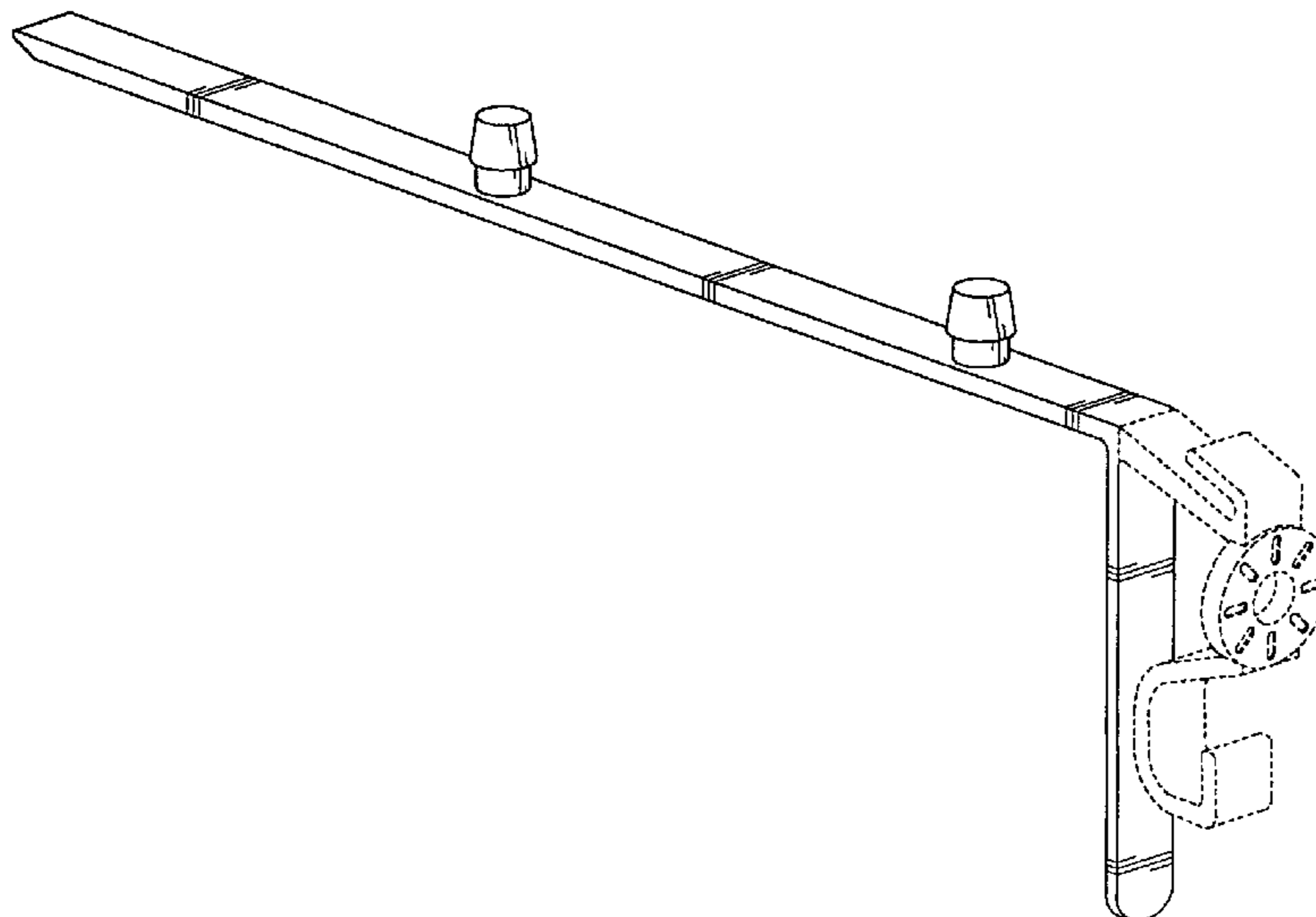
U.S. PATENT DOCUMENTS

- D165,553 S \* 12/1951 Schoor ..... D6/572
- D305,299 S \* 1/1990 Freeman ..... D8/373
- 5,141,192 A 8/1992 Adams
- D331,360 S 12/1992 Adams
- 5,249,108 A 9/1993 Gary
- D342,889 S 1/1994 Adams
- D356,246 S 3/1995 Adams
- D356,492 S 3/1995 Adams
- D360,355 S 7/1995 Adams
- D360,572 S 7/1995 Adams
- D360,573 S 7/1995 Adams
- D365,015 S 12/1995 Avinger
- D367,223 S 2/1996 Adams
- D368,016 S 3/1996 McDowell et al.
- D368,017 S 3/1996 McDowell et al.

**DESCRIPTION**

FIG. 1 is a perspective view of a clip of the new design; FIG. 2 is a front elevational view of the clip of FIG. 1; FIG. 3 is a rear elevational view of the clip of FIG. 1; FIG. 4 is a right side elevational view of the clip of FIG. 1; FIG. 5 is a left side elevational view of the clip of FIG. 1; FIG. 6 is a top plan view of the clip of FIG. 1; and, FIG. 7 is a bottom plan view of the clip of FIG. 1. The portions of the Figures shown in broken lines are not part of the claimed design and are for illustration only.

**1 Claim, 3 Drawing Sheets**



# US D549,565 S

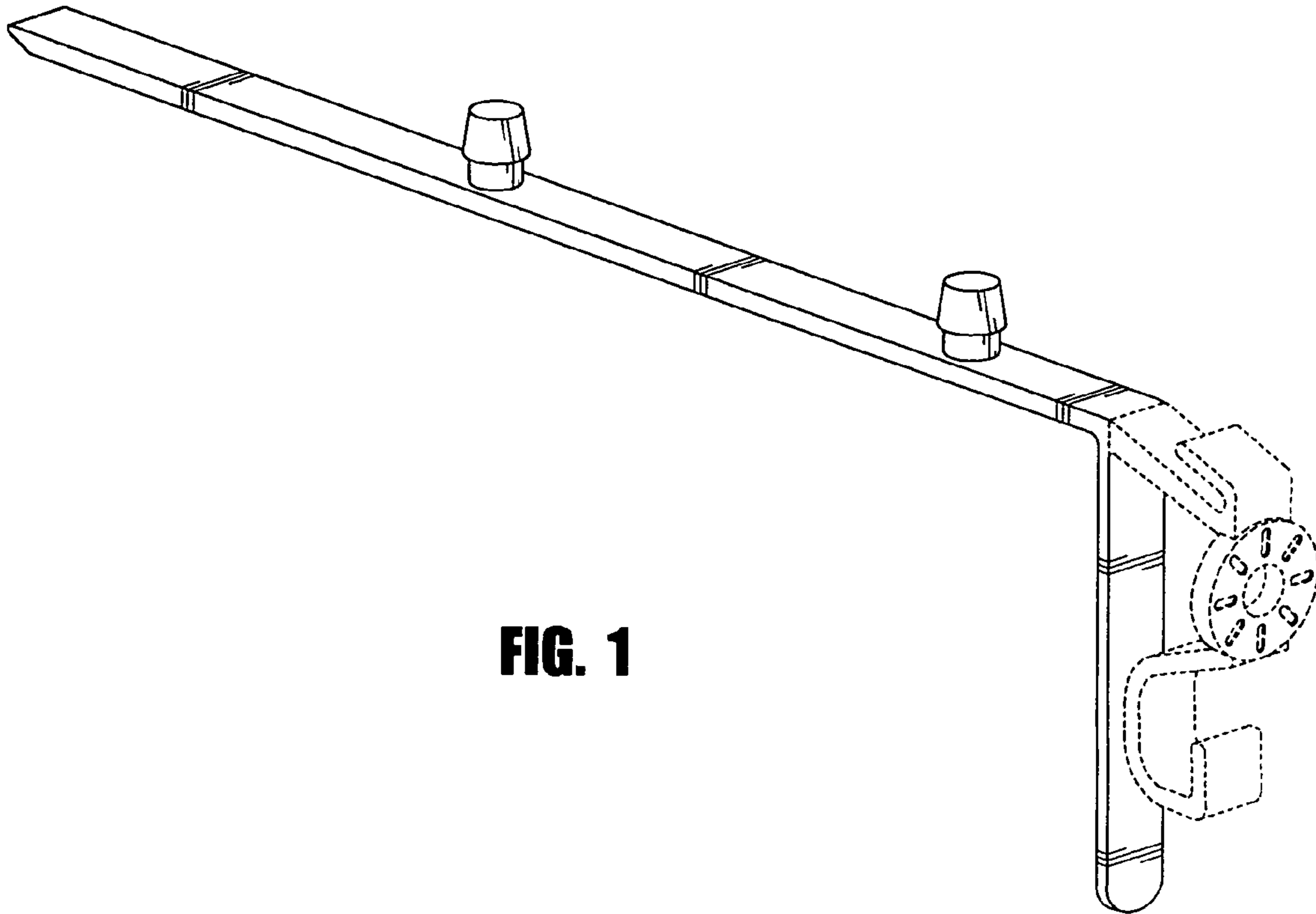
Page 2

---

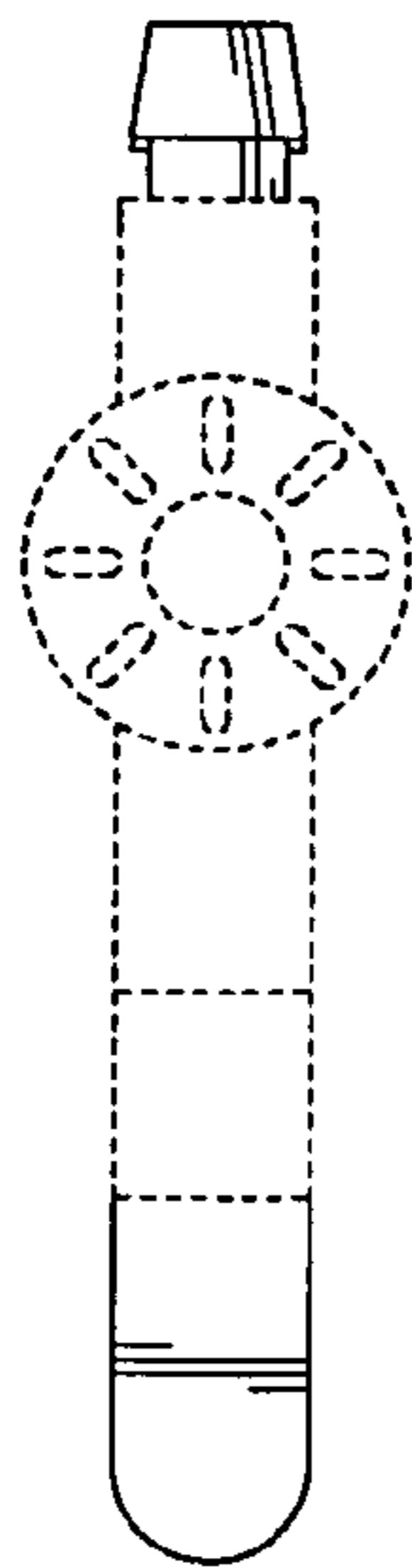
## U.S. PATENT DOCUMENTS

D424,418 S	5/2000	Gary et al.	D492,890 S	7/2004	Adams	
D424,419 S	5/2000	Avinger	D494,849 S	8/2004	Jones et al.	
D427,510 S	7/2000	Gary et al.	6,857,608 B2	2/2005	Avinger	
6,131,865 A	10/2000	Adams	D530,599 S *	10/2006	Martin .....	D8/395
D435,684 S	12/2000	Gary et al.	D536,606 S *	2/2007	Cox et al. ....	D8/395
D451,007 S	11/2001	Jones et al.	2003/0198054 A1	10/2003	Adams	
6,328,459 B1	12/2001	Adams	2004/0129846 A1	7/2004	Adams et al.	
6,352,229 B1	3/2002	Adams	2005/0017144 A1	1/2005	Jackson et al.	
D460,912 S	7/2002	Gary et al.	2005/0072886 A1	4/2005	Adams	
6,497,396 B1	12/2002	Adams	2005/0082454 A1	4/2005	Adams	
6,513,772 B2	2/2003	Gary et al.	2005/0188507 A1	9/2005	Adams et al.	
6,644,836 B1	11/2003	Adams				

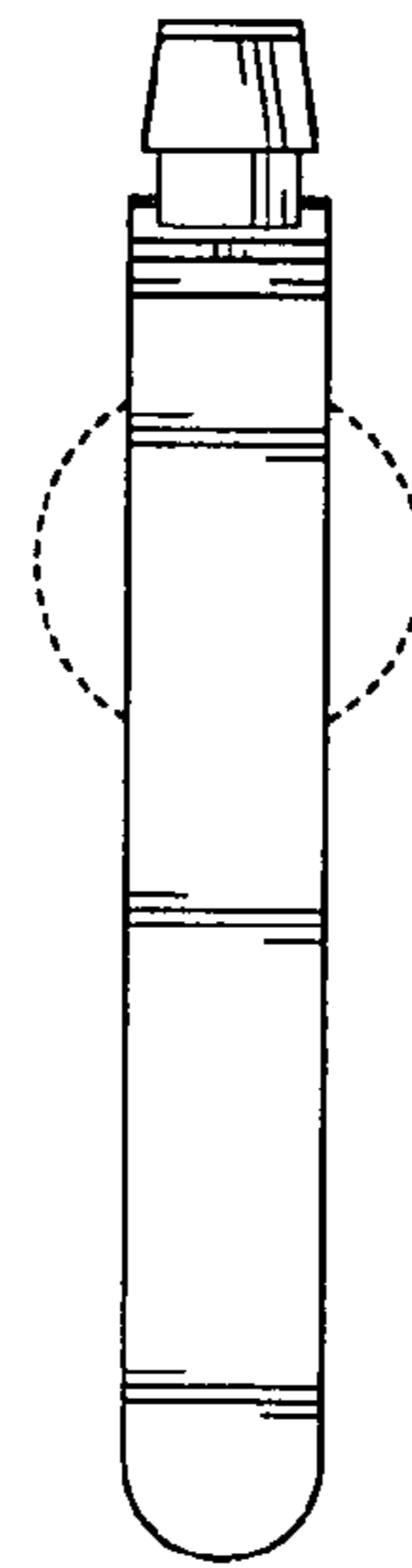
\* cited by examiner



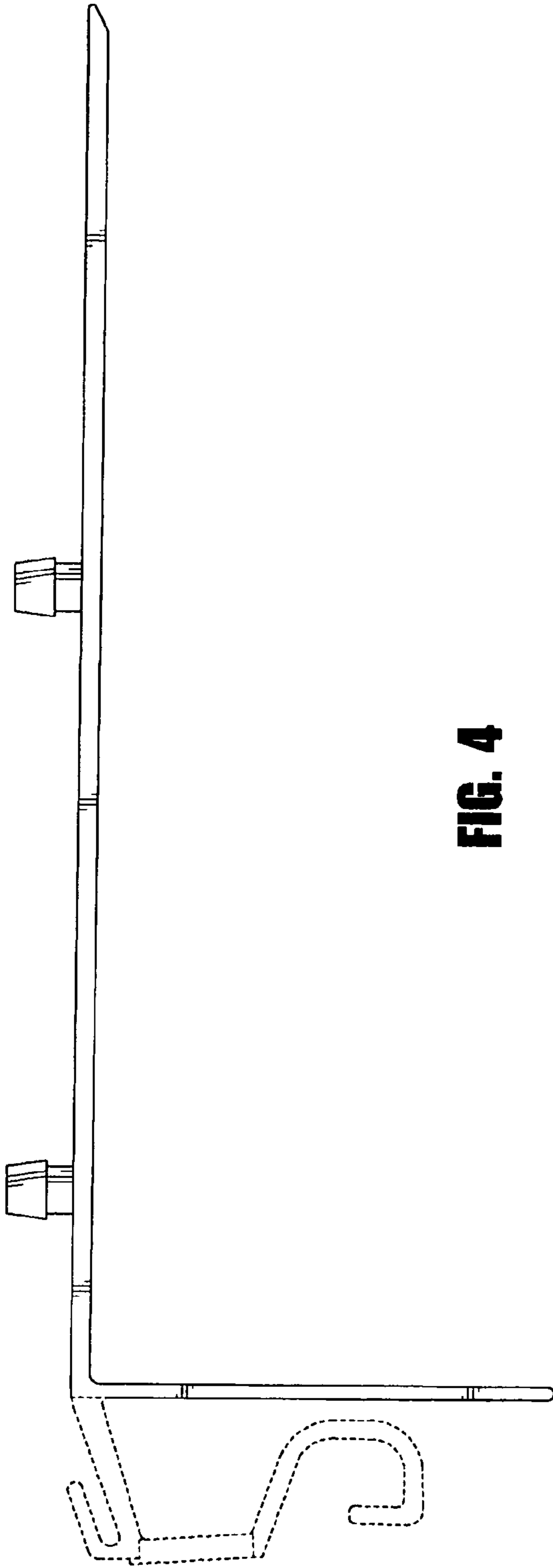
**FIG. 1**



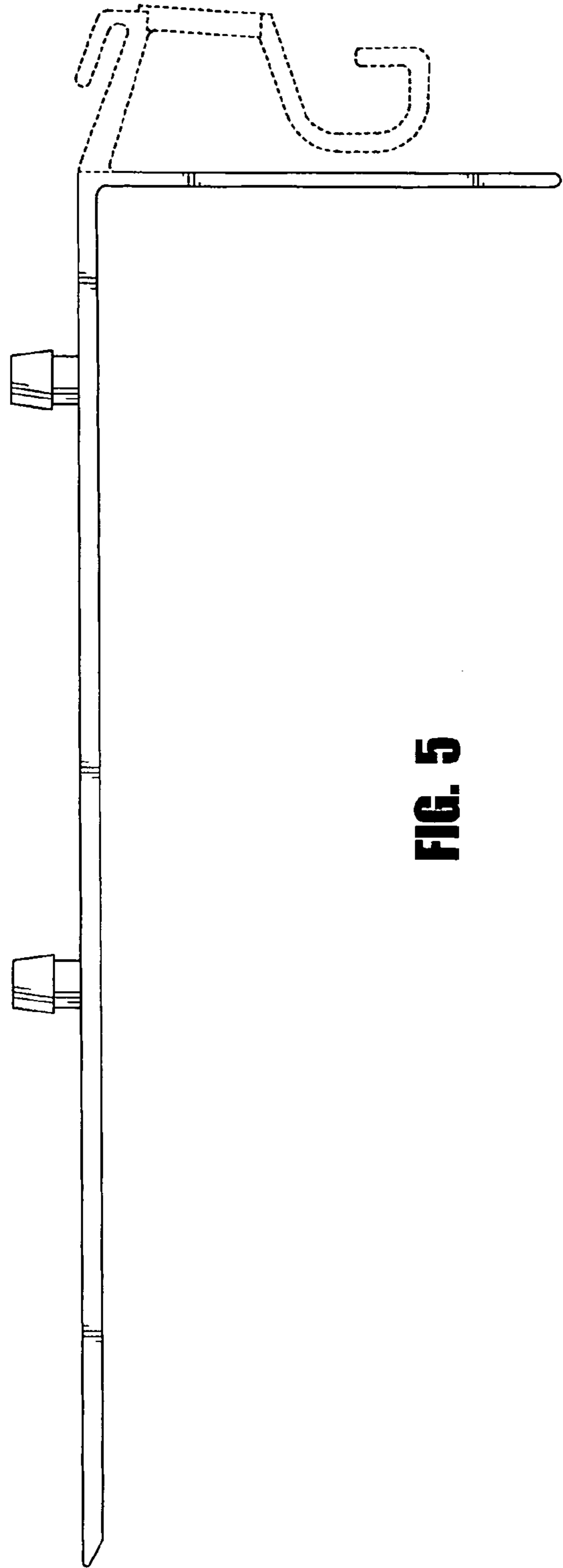
**FIG. 2**



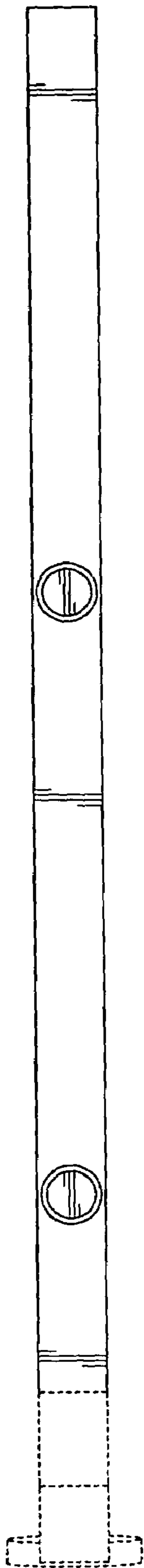
**FIG. 3**



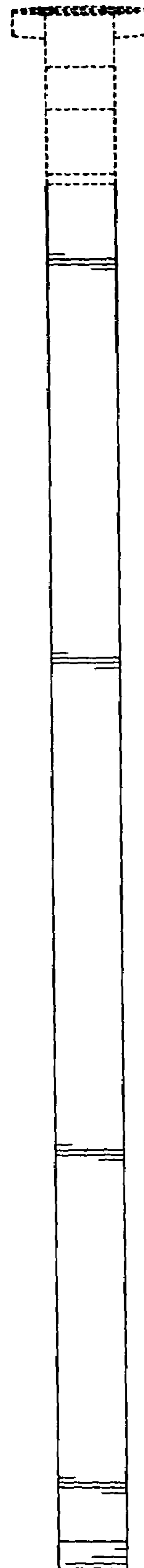
**FIG. 4**



**FIG. 5**



**FIG. 6**



**FIG. 7**