

US00D549560S

(12) **United States Design Patent** (10) **Patent No.:** **US D549,560 S**
Daikubara et al. (45) **Date of Patent:** **** Aug. 28, 2007**

(54) **SUPPORT**

(75) Inventors: **Mike Y. Daikubara**, Fox Point, WI (US); **Mark A. Johnson**, Plymouth, WI (US)

(73) Assignee: **Kohler Co.**, Kohler, WI (US)

(**) Term: **14 Years**

(21) Appl. No.: **29/276,312**

(22) Filed: **Jan. 22, 2007**

Related U.S. Application Data

(62) Division of application No. 29/223,961, filed on Feb. 23, 2005.

(51) **LOC (8) Cl.** **08-05**

(52) **U.S. Cl.** **D8/367**

(58) **Field of Classification Search** D6/512-514, D6/553, 567; D8/367, 373; 248/301, 304, 248/215, 309.1; 211/87.01, 13.1, 88.04
See application file for complete search history.

(56) **References Cited**

U.S. PATENT DOCUMENTS

4,564,963 A	1/1986	Bergmark	
4,720,876 A	1/1988	Tomei et al.	
5,070,549 A	12/1991	Campe	
D405,517 S	2/1999	Eeckhoudt	
D417,807 S *	12/1999	McBarnette	D6/513
D444,866 S	7/2001	Paredes	
D450,508 S *	11/2001	Simonsen	D6/513
D466,396 S *	12/2002	Snell	D6/513
D494,452 S *	8/2004	Sheldon et al.	D8/367
D496,849 S *	10/2004	Abdi et al.	D8/367
D531,487 S *	11/2006	Dretzka	D8/367

OTHER PUBLICATIONS

Sterling Plumbing Group Inc. catalog p. 10, 1993, Pro Line, Pro Bath Custom By-Pass Doors.

Sterling Plumbing Group Inc. catalog p. 8, 1993, Pro Line, Pro Bath Custom Swing Doors.

Universal-Rundle catalog page, Vitreous China Products, showing Wall Surrounds.

Organize Everything.com, picture showing hanging shelves.

* cited by examiner

Primary Examiner—Brian N Vinson

(74) *Attorney, Agent, or Firm*—Quarles & Brady LLP

(57) **CLAIM**

The ornamental design for a support, as shown and described.

DESCRIPTION

The nature of this product is as a support for items, such as bathroom items, in preferred forms being a shelf and a shelf mounted hanger.

FIG. 1 is a right, top, front perspective view of our new design in the form of a hanger, which can be mounted to a shelf (shown in phantom);

FIG. 2 is a front elevational view thereof;

FIG. 3 is a right side elevational view thereof, the left side elevational view thereof being a mirror image of the right side shown;

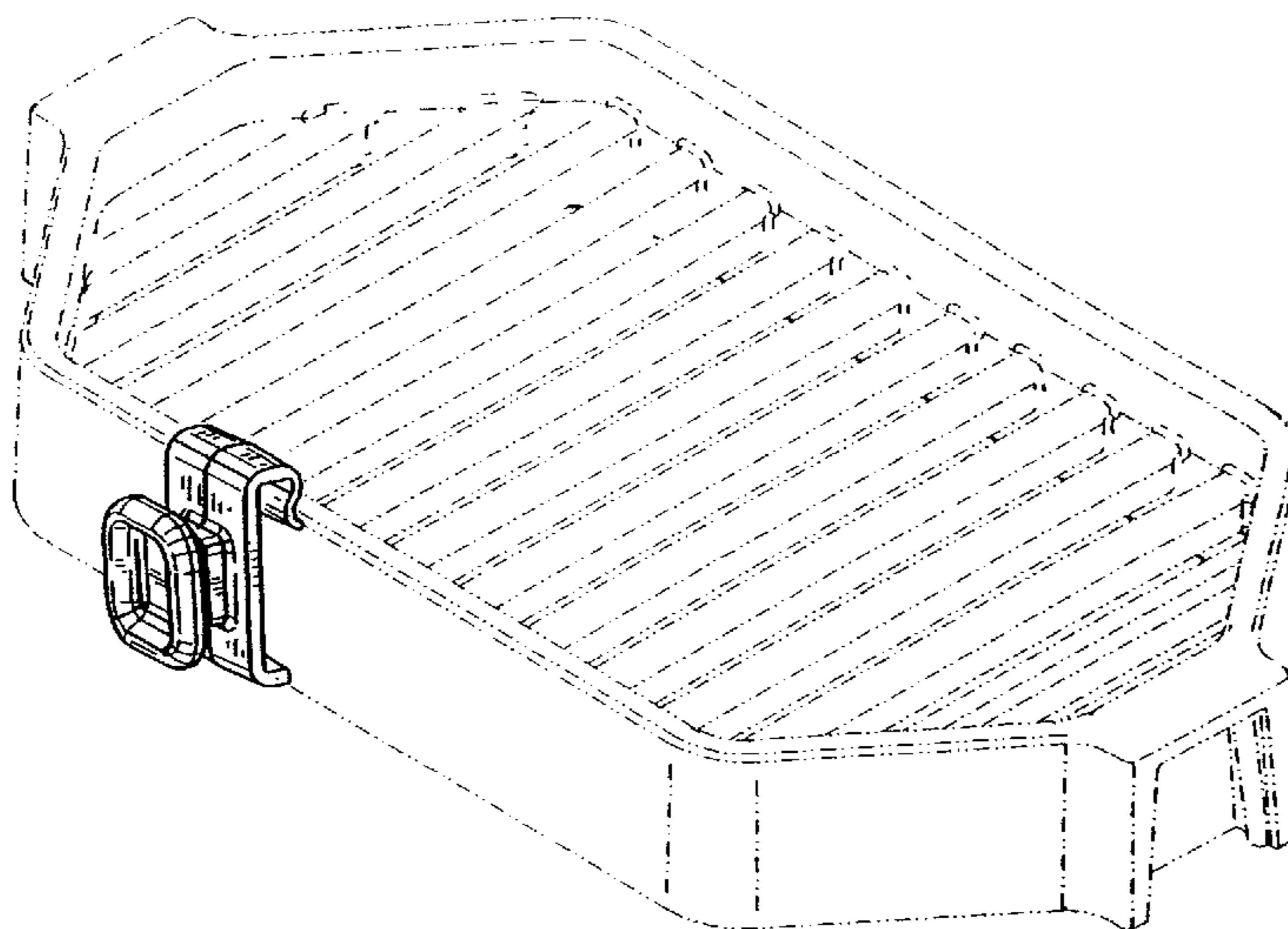
FIG. 4 is rear elevational view thereof;

FIG. 5 is a top plan view thereof; and,

FIG. 6 is a bottom plan view thereof.

The broken line representations of shelf environment in FIG. 1 and of an opening in FIG. 4, are for the purpose of illustration only, and form no part of the claimed design.

1 Claim, 1 Drawing Sheet



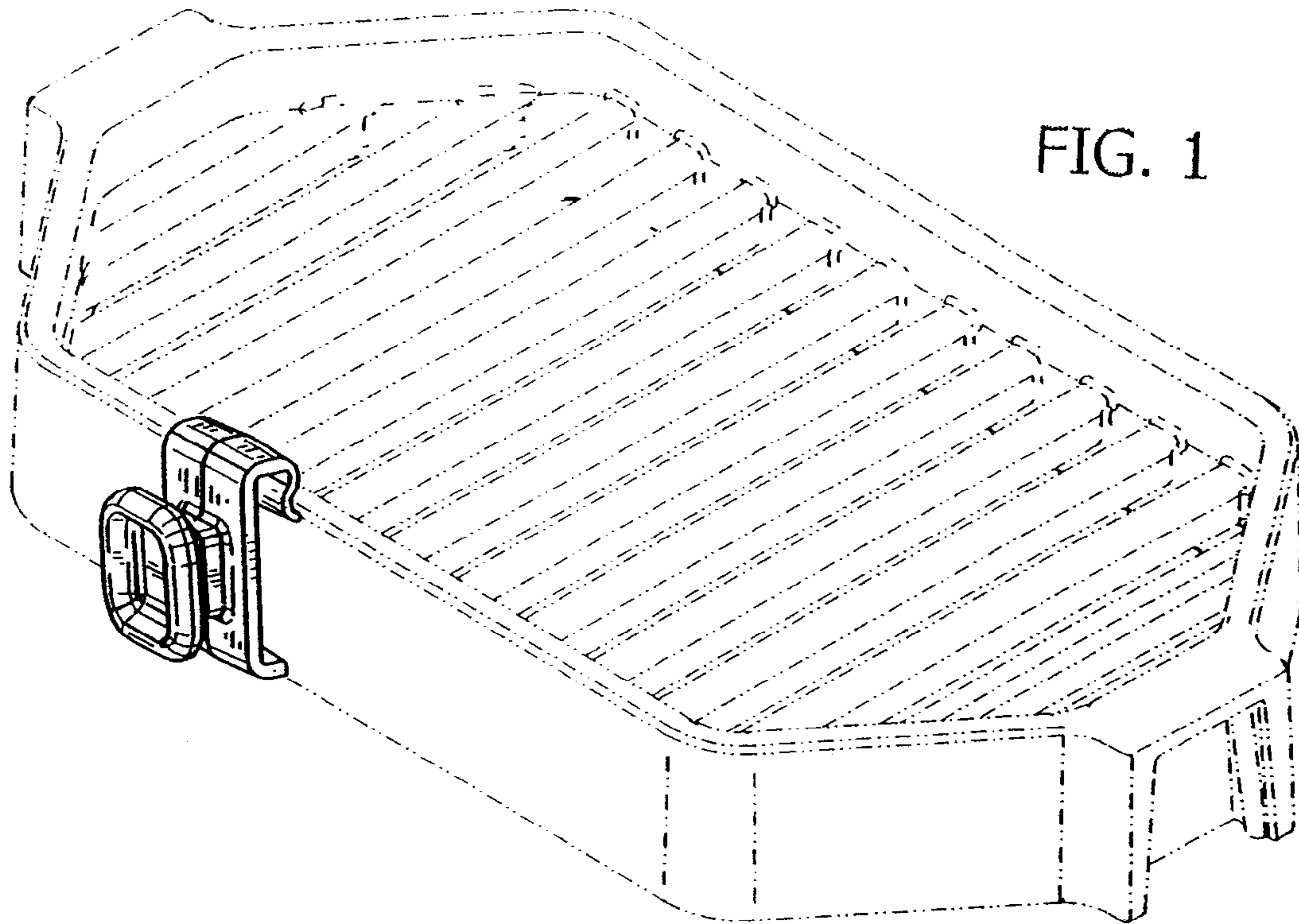


FIG. 1

FIG. 2

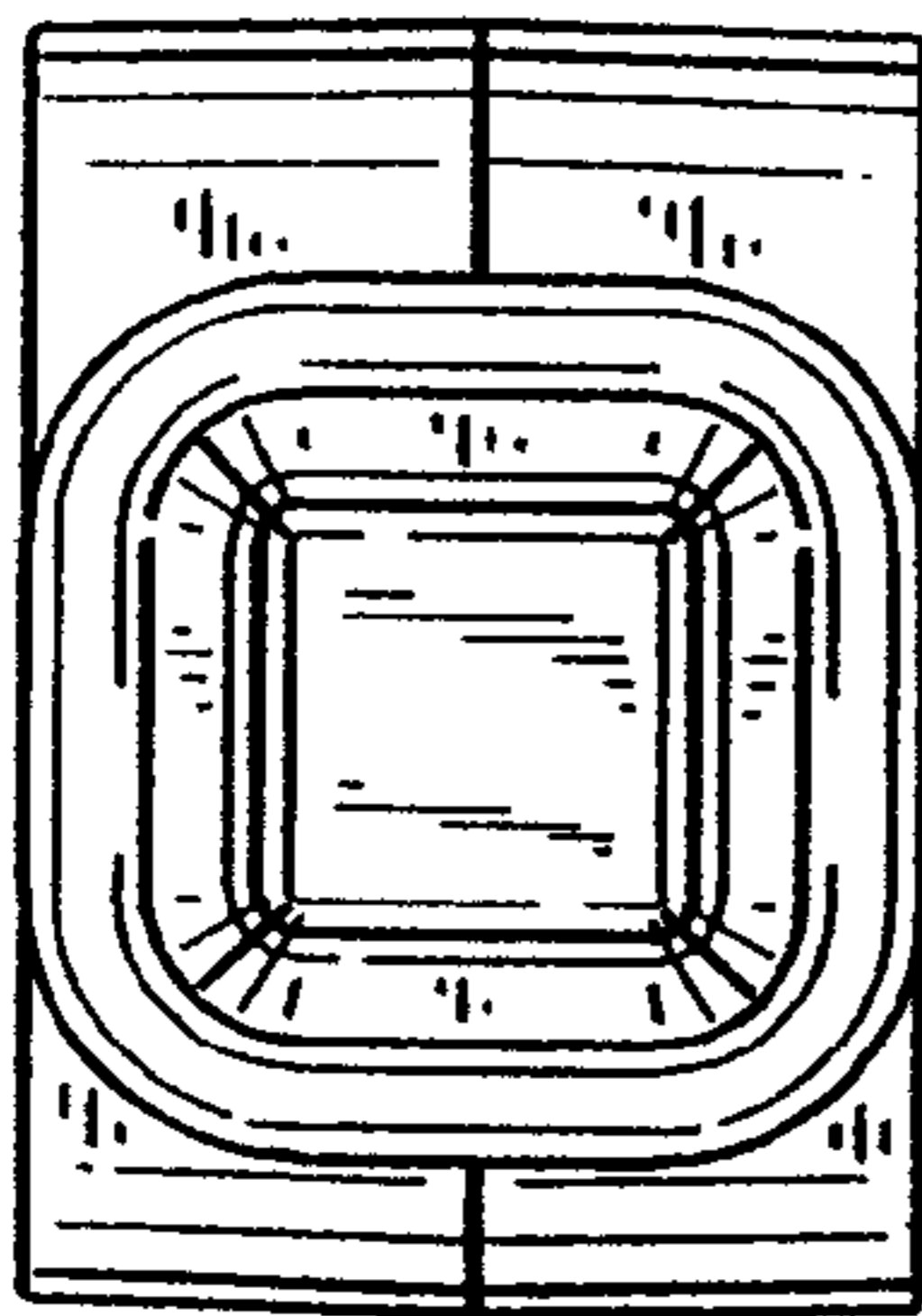


FIG. 3

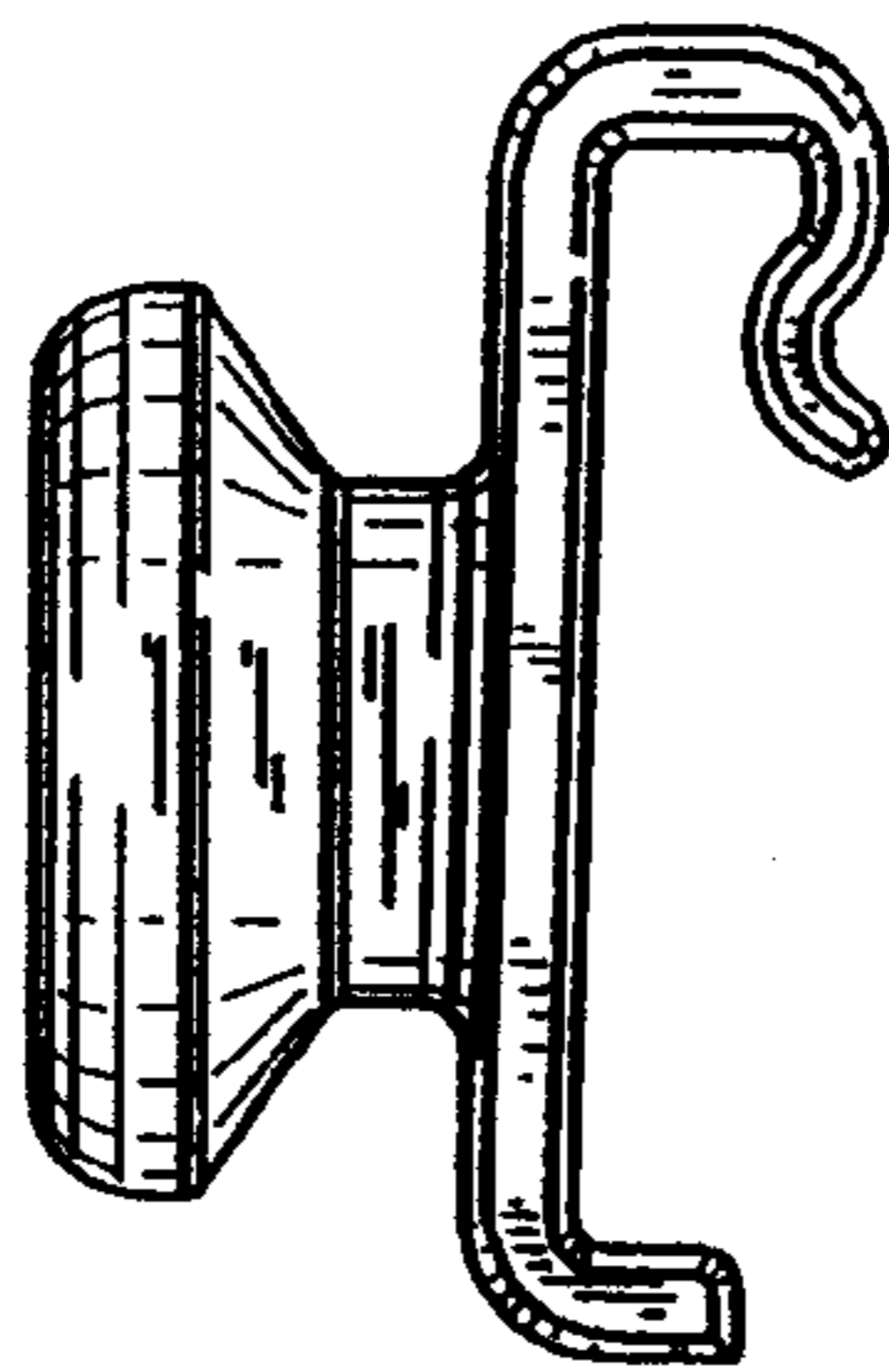


FIG. 4

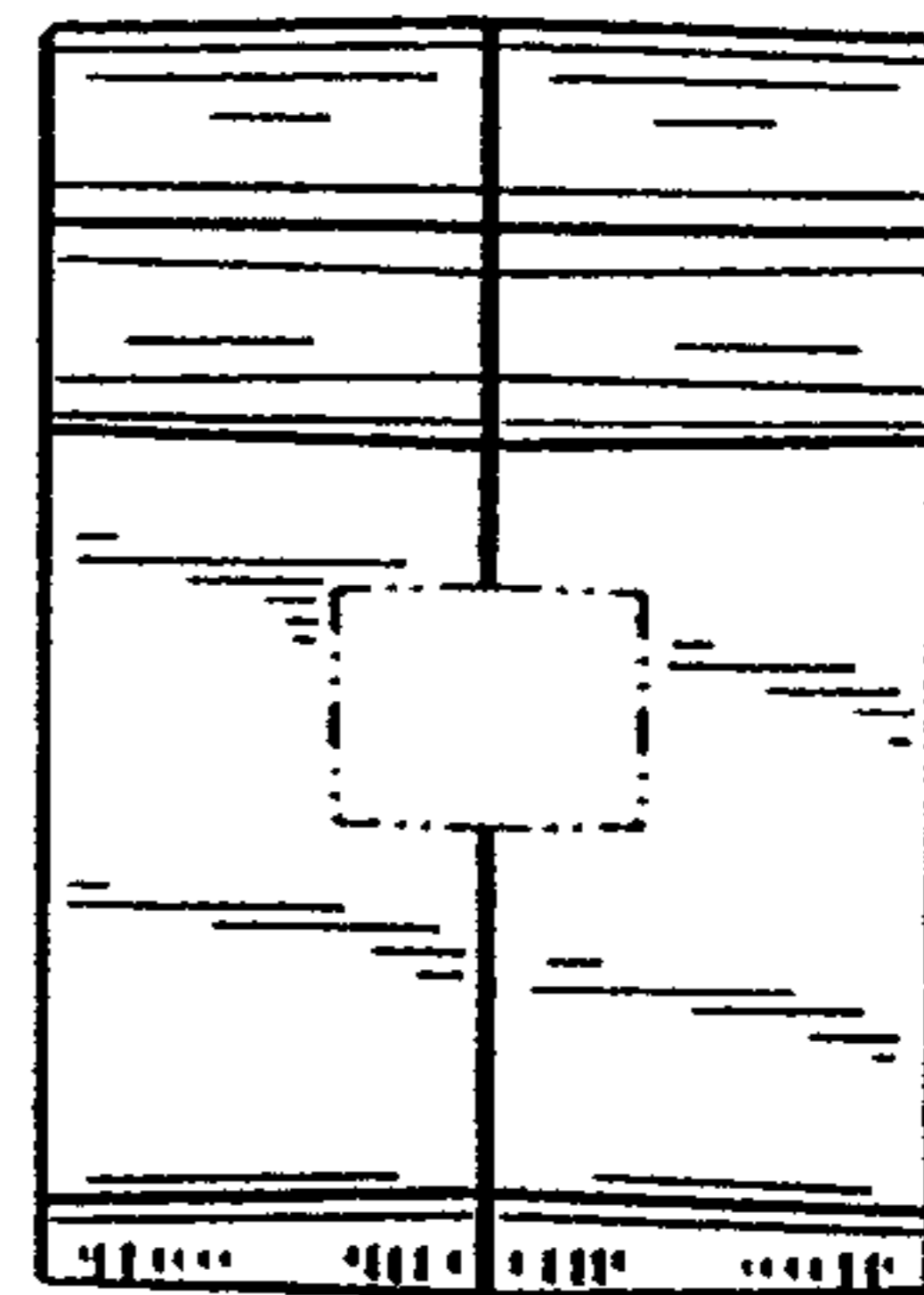


FIG. 5

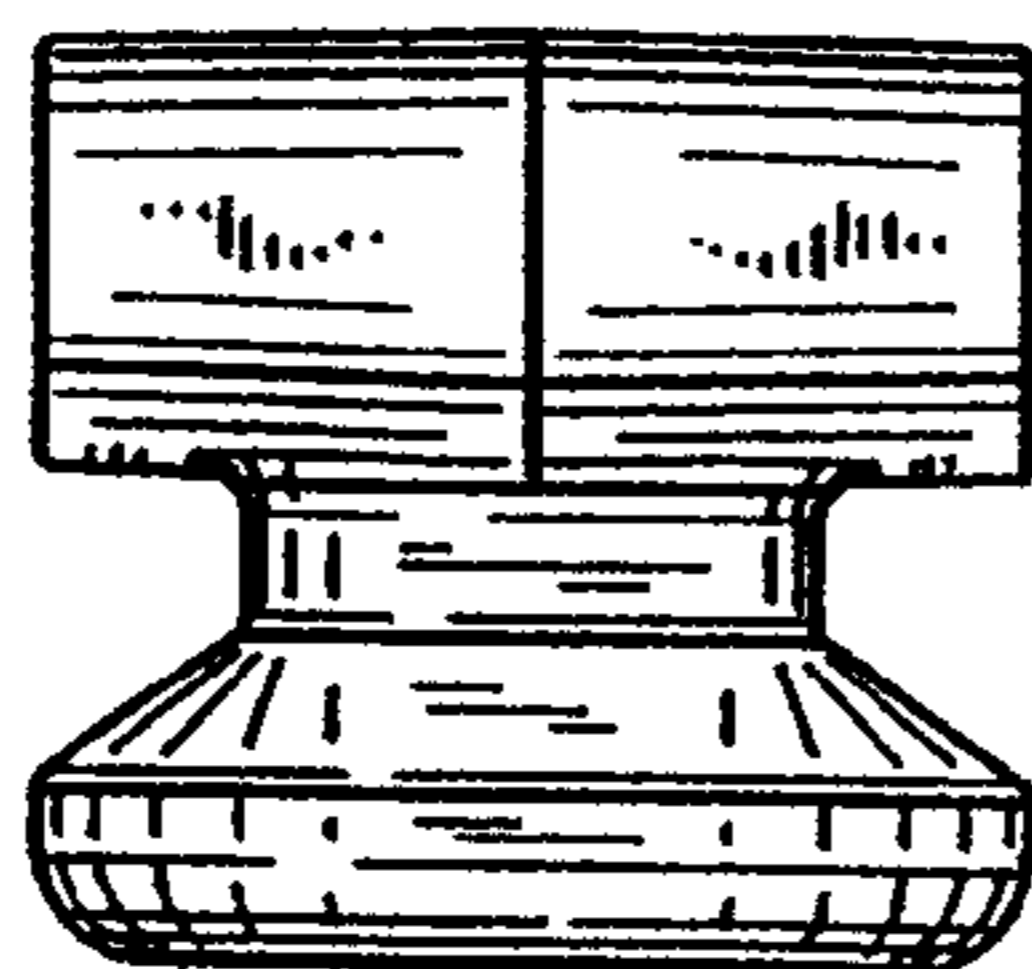


FIG. 6

