

US00D549558S

(12) **United States Design Patent** (10) **Patent No.:** **US D549,558 S**
Dittmer et al. (45) **Date of Patent:** **** Aug. 28, 2007**

(54) **MOUNTING ARM FOR ELECTRONIC DISPLAY**

(75) Inventors: **Jay Dittmer**, Prior Lake, MN (US);
Jeff Bremmon, Shakopee, MN (US)

(73) Assignee: **CSAV, Inc.**, Savage, MN (US)

(**) Term: **14 Years**

(21) Appl. No.: **29/270,595**

(22) Filed: **Dec. 28, 2006**

Related U.S. Application Data

(62) Division of application No. 29/231,711, filed on Jun. 7, 2005, now Pat. No. Des. 540,332.

(51) **LOC (8) Cl.** **08-05**

(52) **U.S. Cl.** **D8/363**

(58) **Field of Classification Search** D8/373,
D8/363; D14/224, 214, 452; 248/284.1,
248/274.1

See application file for complete search history.

(56) **References Cited**

U.S. PATENT DOCUMENTS

D400,085 S *	10/1998	Haskin	D8/363
D426,142 S *	6/2000	Moore	D8/363
6,367,756 B1 *	4/2002	Wang	248/278.1
6,402,109 B1 *	6/2002	Dittmer	248/284.1
6,527,466 B1 *	3/2003	Blier et al.	403/83
D488,708 S *	4/2004	Lam et al.	D8/363
D493,800 S *	8/2004	Pfister et al.	D14/451
D494,183 S *	8/2004	Wills et al.	D14/452
D494,596 S *	8/2004	Pfister	D14/451

D495,713 S *	9/2004	Pfister et al.	D14/451
D496,367 S *	9/2004	Pfister	D14/451
D507,477 S *	7/2005	Pfister	D8/363
D520,017 S *	5/2006	van Kuijk et al.	D14/452
2002/0011544 A1 *	1/2002	Bosson	248/121
2003/0201372 A1 *	10/2003	Dozier	248/286.1
2004/0011932 A1 *	1/2004	Duff	248/157

* cited by examiner

Primary Examiner—Holly N. Baynham

(74) *Attorney, Agent, or Firm*—Patterson, Thuentem, Skaar & Christensen, P.A.

(57) **CLAIM**

We claim the ornamental design for mounting arm for electronic display, as shown.

DESCRIPTION

FIG. 1 is a perspective view of a mounting arm for electronic display according to the invention;

FIG. 2 is a side elevation view of a mounting arm for electronic display according to the invention;

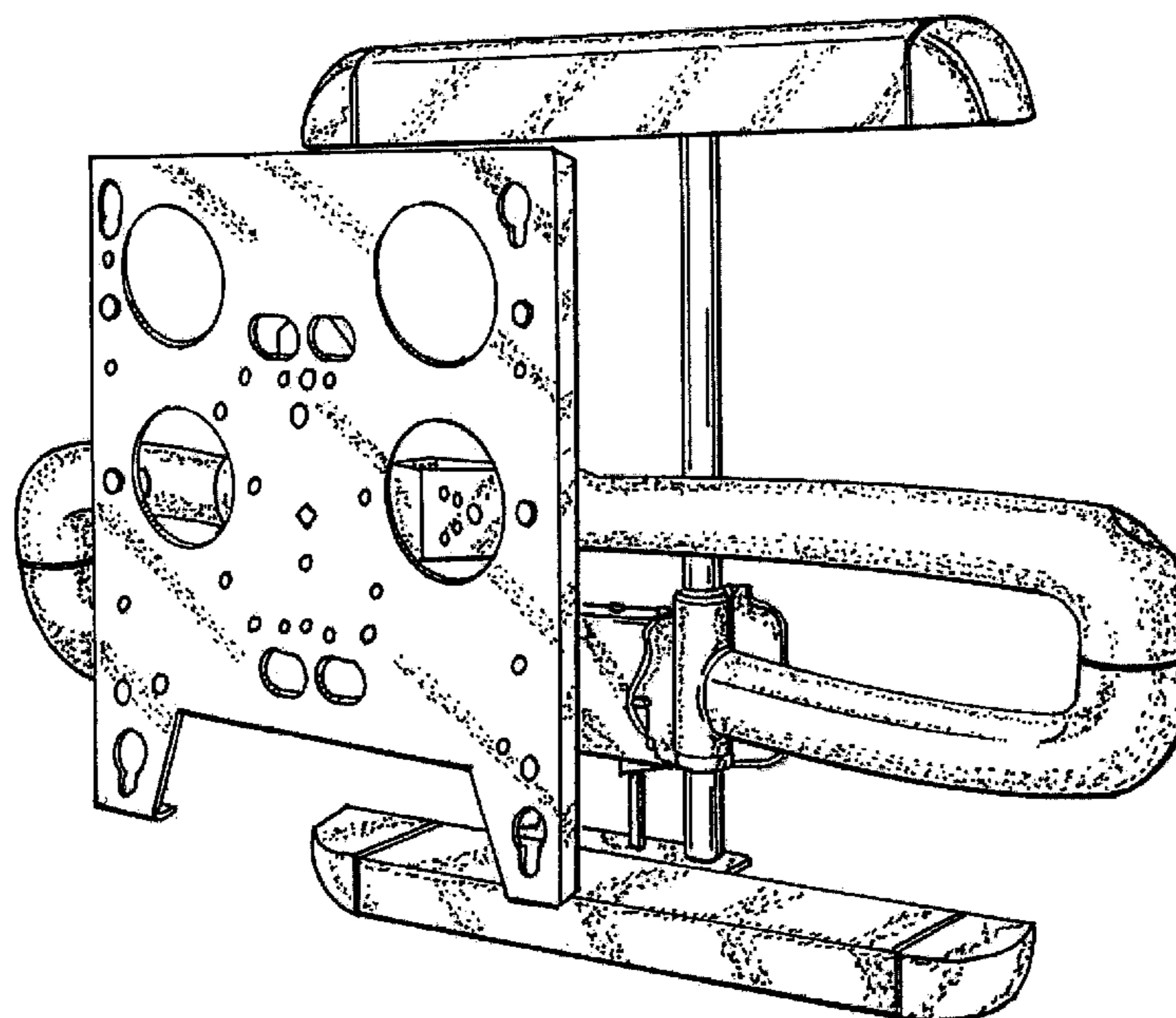
FIG. 3 is an elevation view of a side of a mounting arm for electronic display opposing the side depicted in FIG. 2, according to the invention;

FIG. 4 is a bottom plan view of a mounting arm for electronic display according to the invention;

FIG. 5 is a top plan view of a mounting arm for electronic display according to the invention; and,

FIG. 6 is a third side elevation view of a mounting arm for electronic display according to the invention.

1 Claim, 6 Drawing Sheets



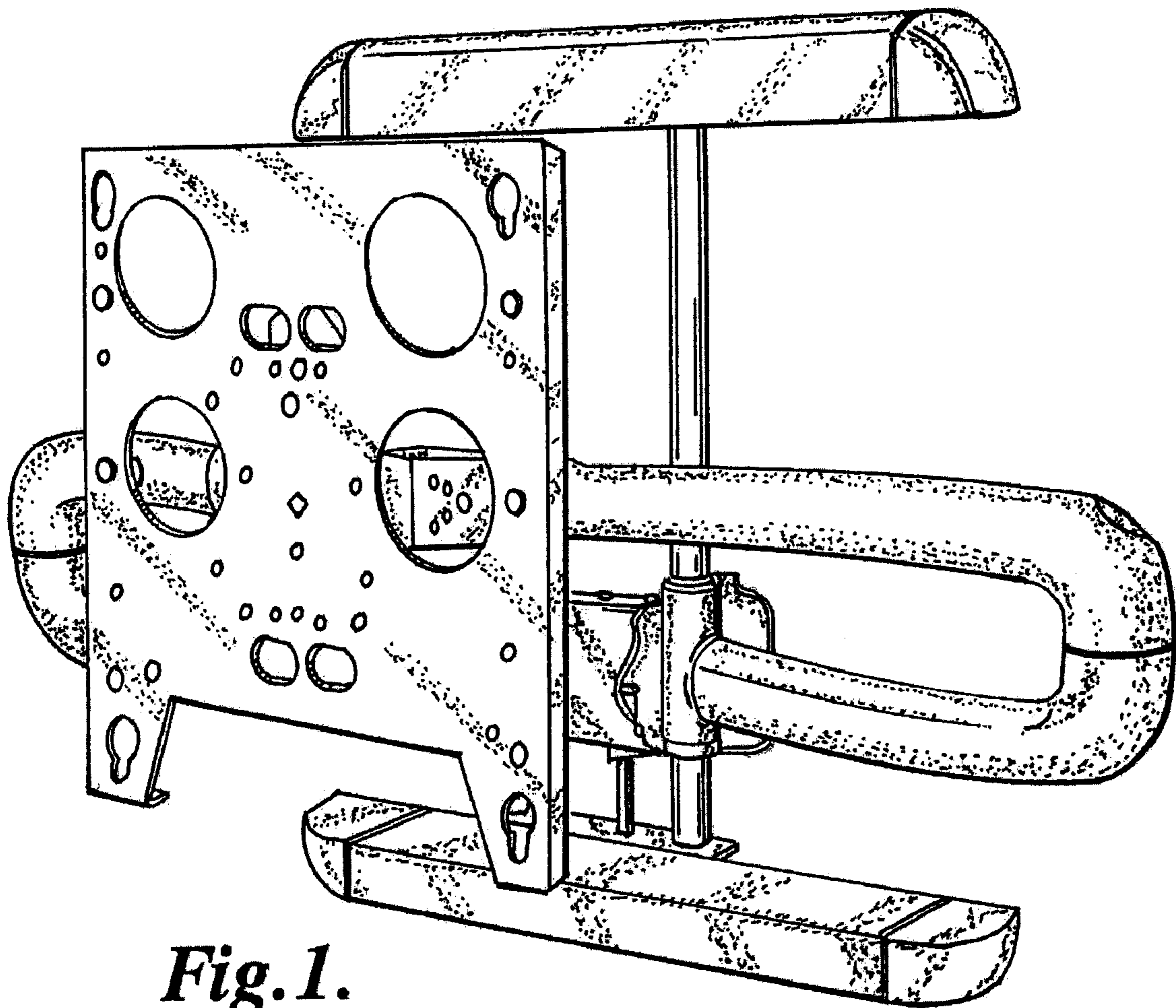


Fig. 1.

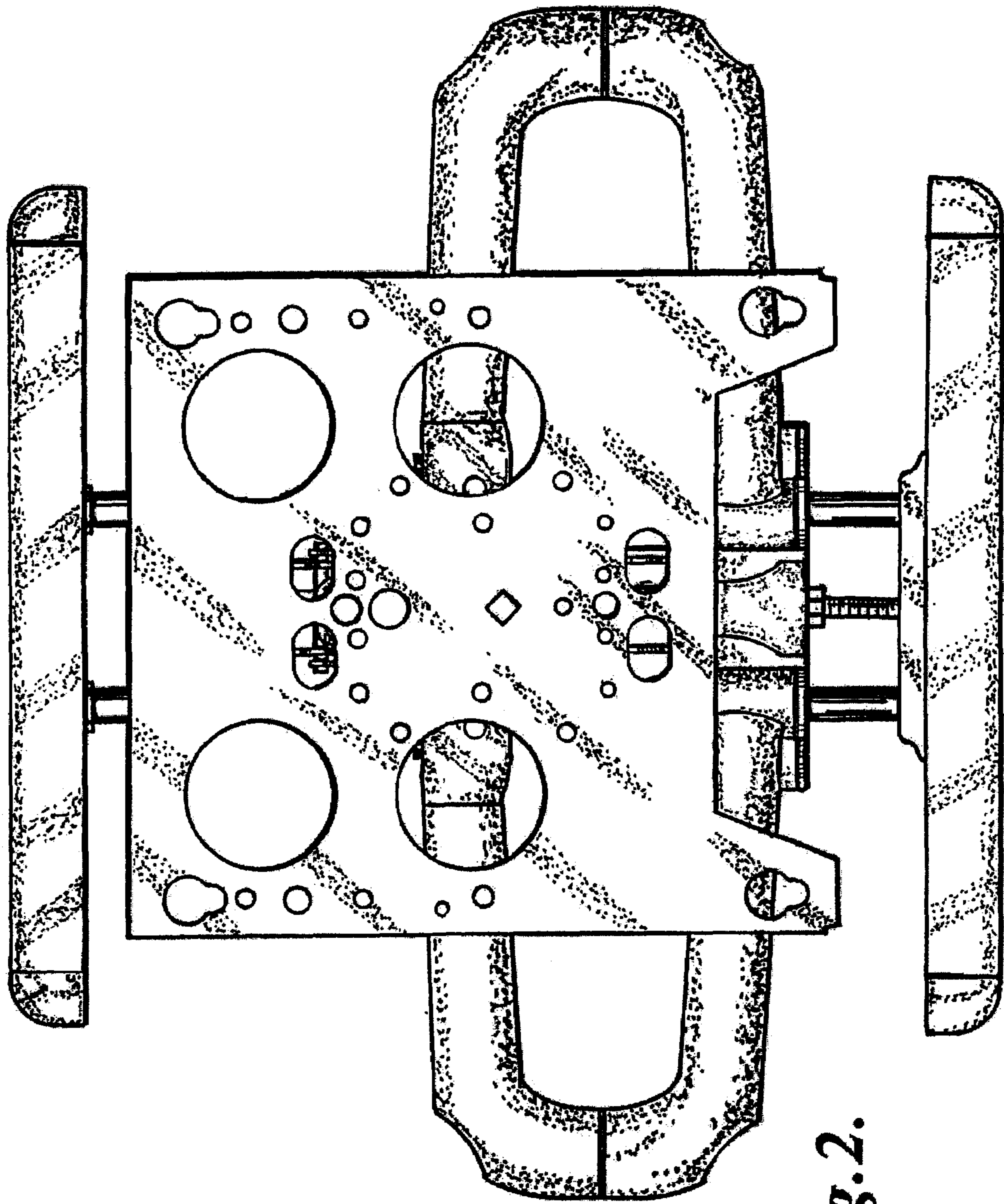


Fig. 2.

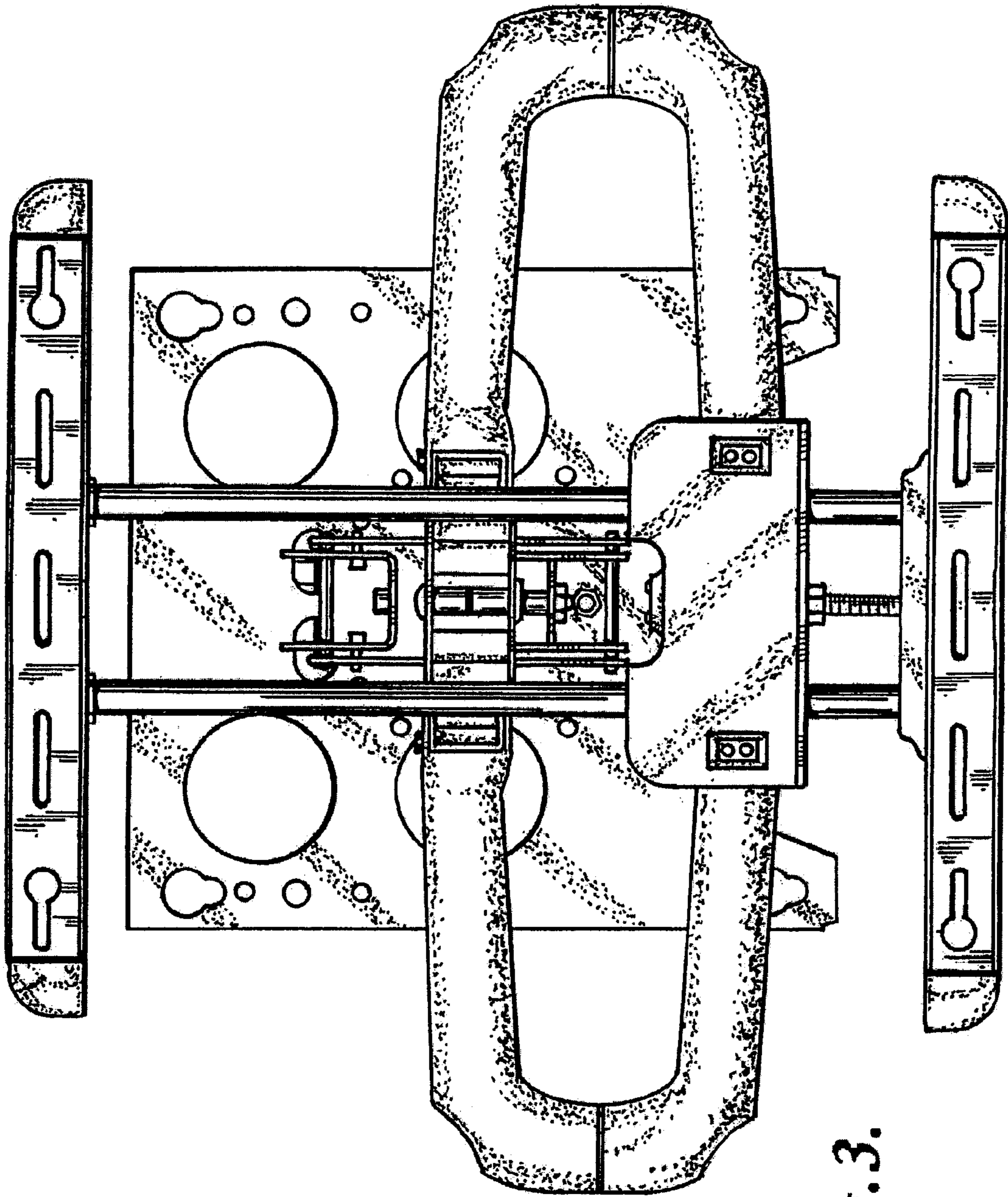


Fig. 3.

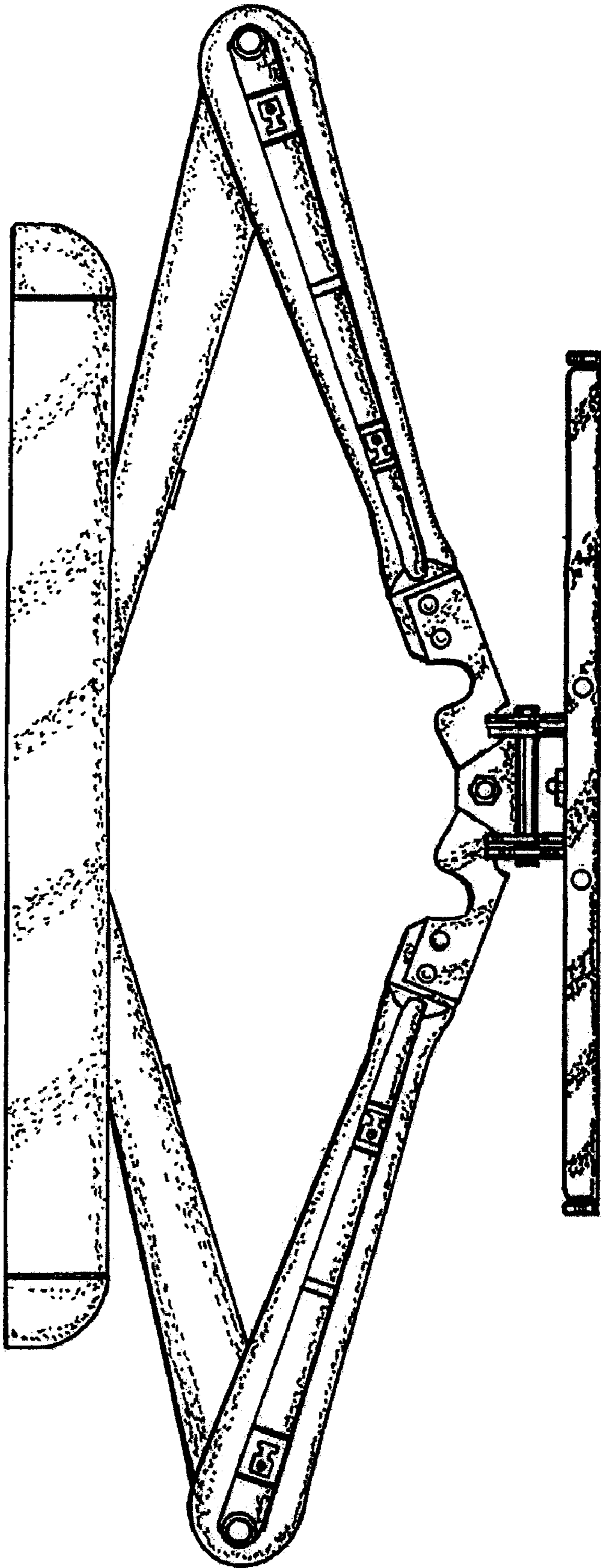


Fig. 4.

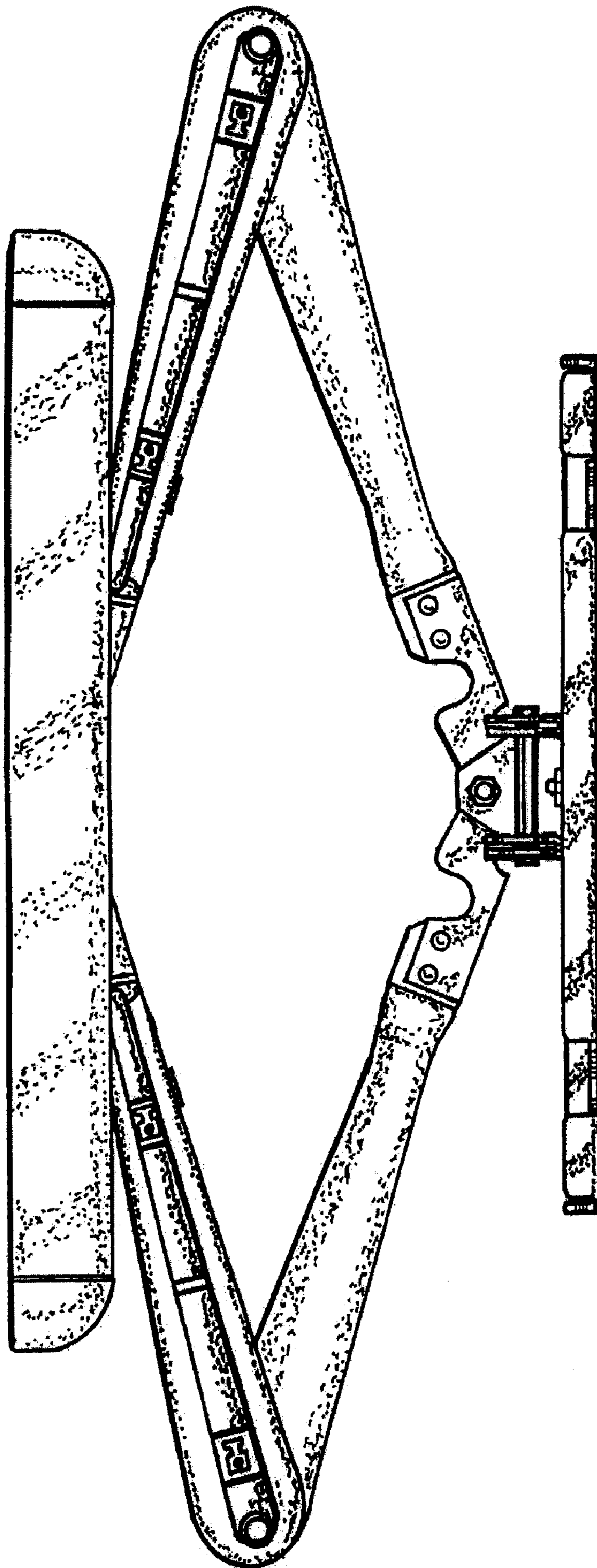


Fig. 5.

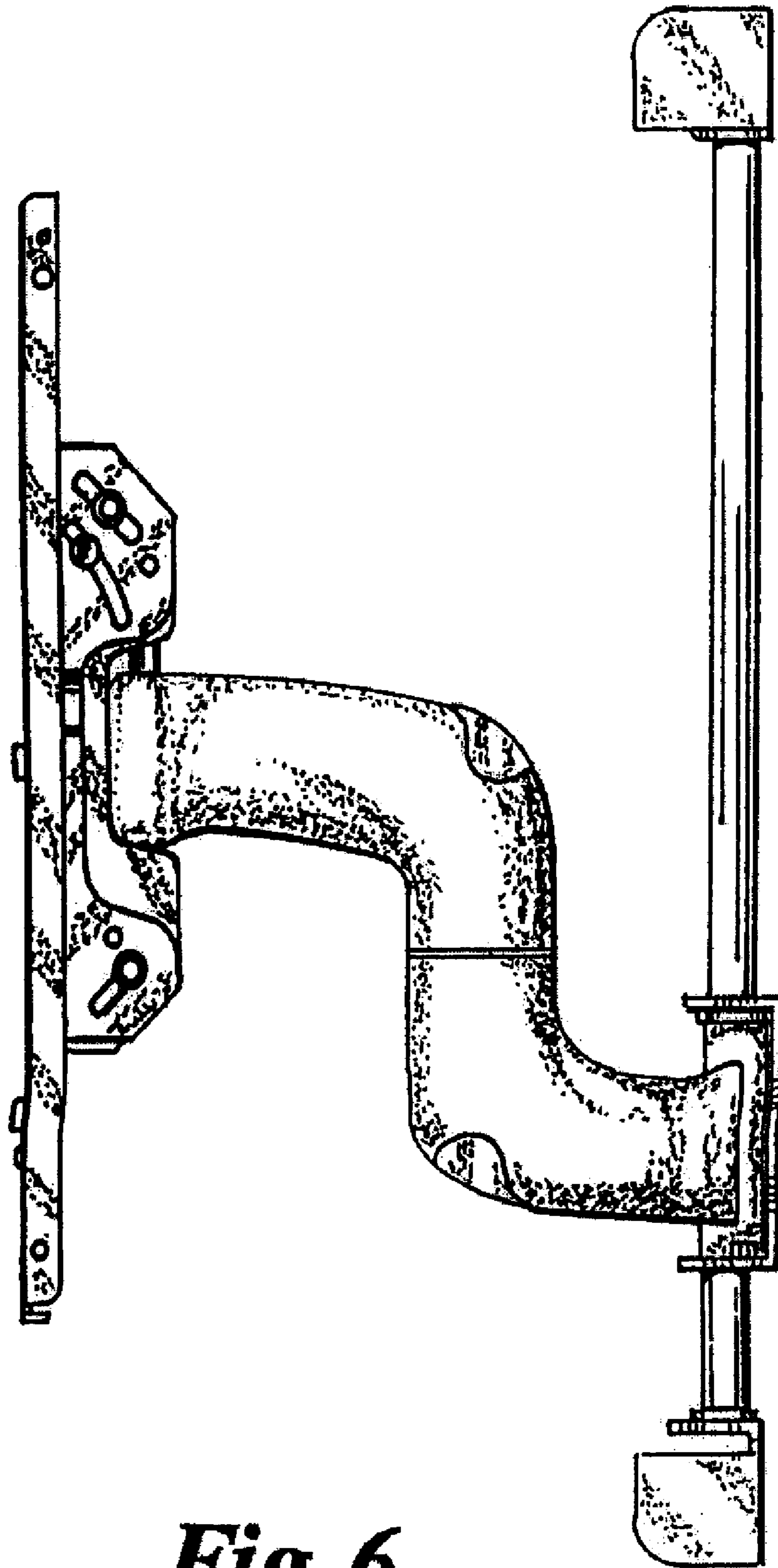


Fig. 6.