



US00D549556S

(12) **United States Design Patent**
Christie

(10) **Patent No.:** **US D549,556 S**

(45) **Date of Patent:** **** Aug. 28, 2007**

(54) **TIE DOWN**

(76) Inventor: **J. Brian Christie**, 5382 S. Peach Ave.,
Fresno, CA (US) 93725

(**) Term: **14 Years**

(21) Appl. No.: **29/243,430**

(22) Filed: **Nov. 23, 2005**

(51) **LOC (8) Cl.** **08-05**

(52) **U.S. Cl.** **D8/354**

(58) **Field of Classification Search** D8/354,
D8/349; 248/499; 24/265 CD

See application file for complete search history.

(56) **References Cited**

U.S. PATENT DOCUMENTS

- 3,297,293 A * 1/1967 Andrews et al. 248/499
- D209,172 S * 11/1967 Brock D8/367
- 5,774,948 A * 7/1998 Petschke et al. 24/265 CD
- D408,267 S * 4/1999 Egigian et al. D8/354
- 6,138,975 A * 10/2000 McDaid 248/499

* cited by examiner

Primary Examiner—Holly H. Baynham

(74) *Attorney, Agent, or Firm*—Richard A. Ryan

(57) **CLAIM**

The ornamental design for a tie down, as shown and described.

DESCRIPTION

FIG. 1 is a side view of the design for a tie down, with the ring member thereof shown in the partially extended position;

FIG. 2 is a top view of the tie down of FIG. 1;

FIG. 3 is a reduced-scale side perspective view of the tie down of FIG. member thereof shown in the closed position, with the ring member thereof shown in the closed position;

FIG. 4 is a side view of the tie down of FIG. 3;

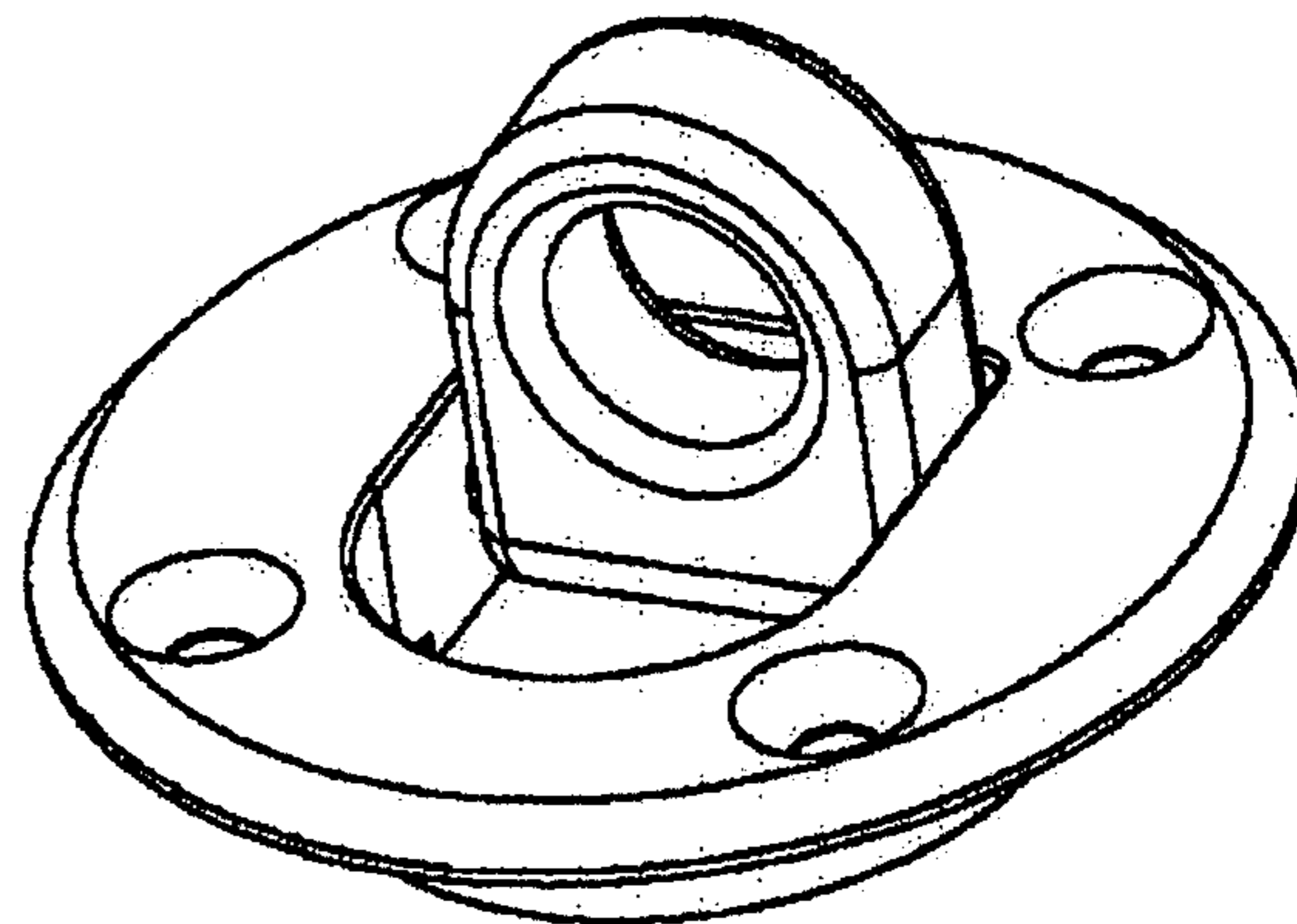
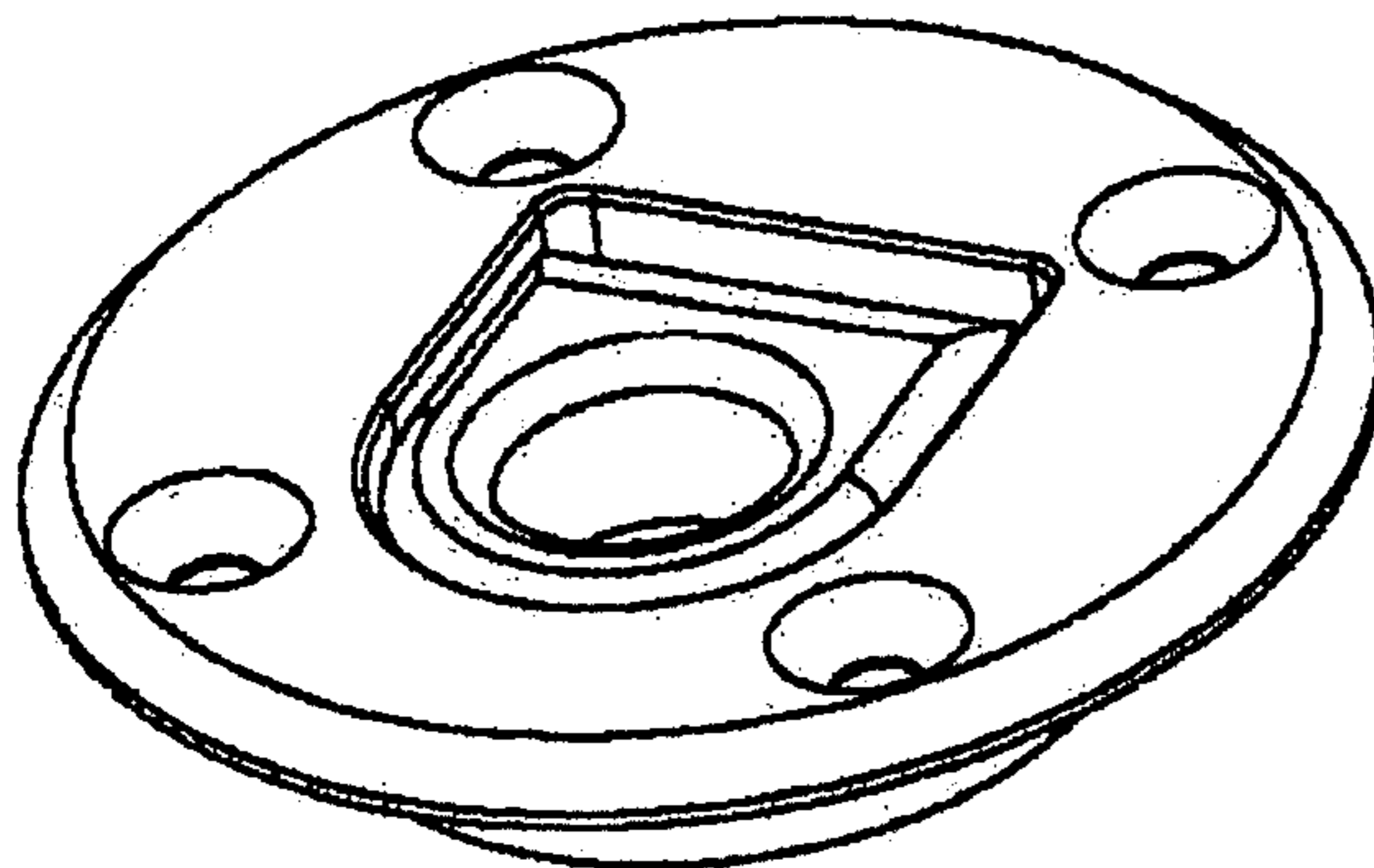
FIG. 5 is a top view of the tie down of FIG. 3;

FIG. 6 is a perspective view of the tie down of FIG. 1, with the ring member thereof shown in the fully extended position;

FIG. 7 is a side view of the tie down of FIG. 6; and,

FIG. 8 is a top view of the tie down of FIG. 6.

1 Claim, 3 Drawing Sheets



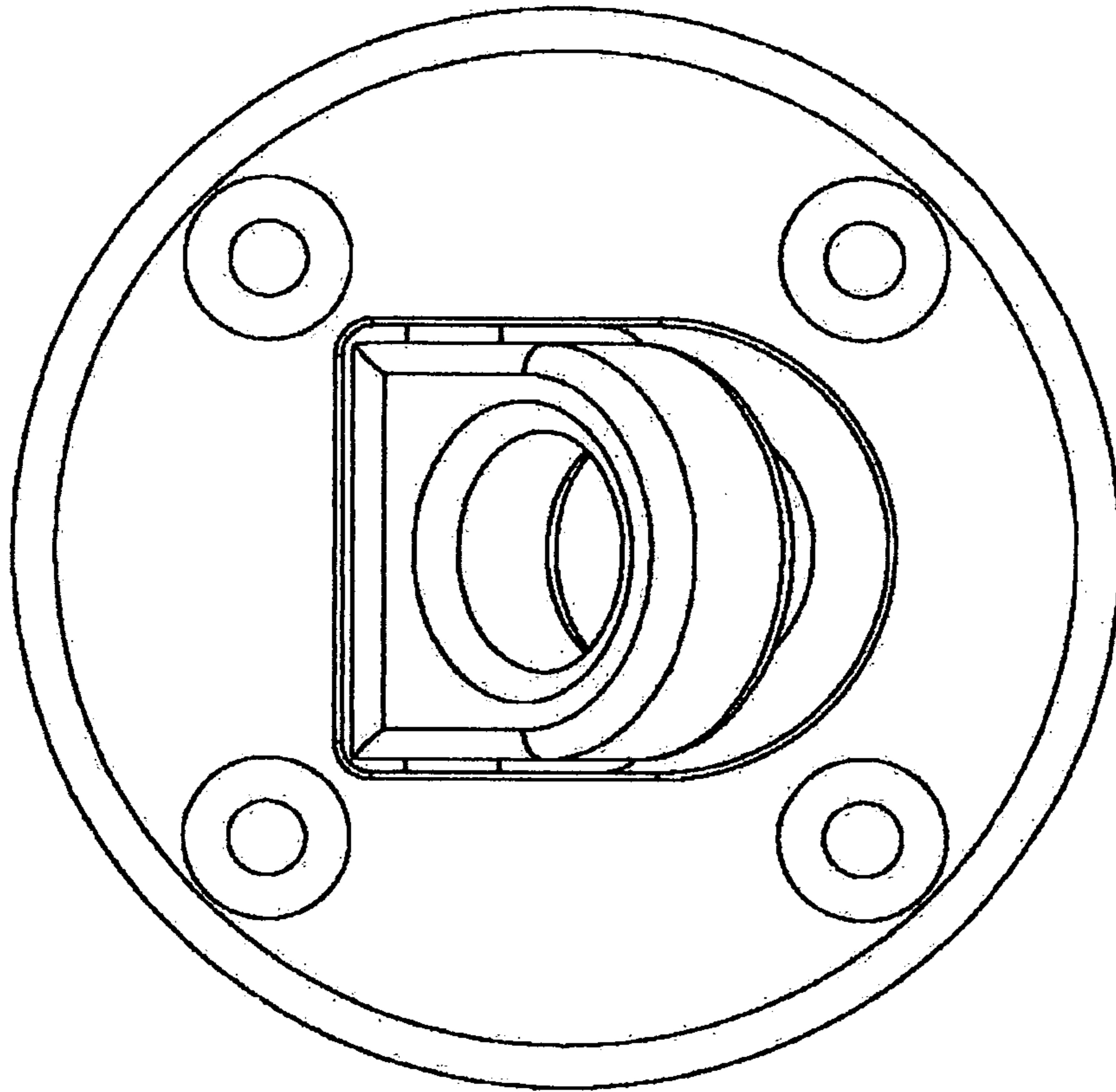


FIG. 2

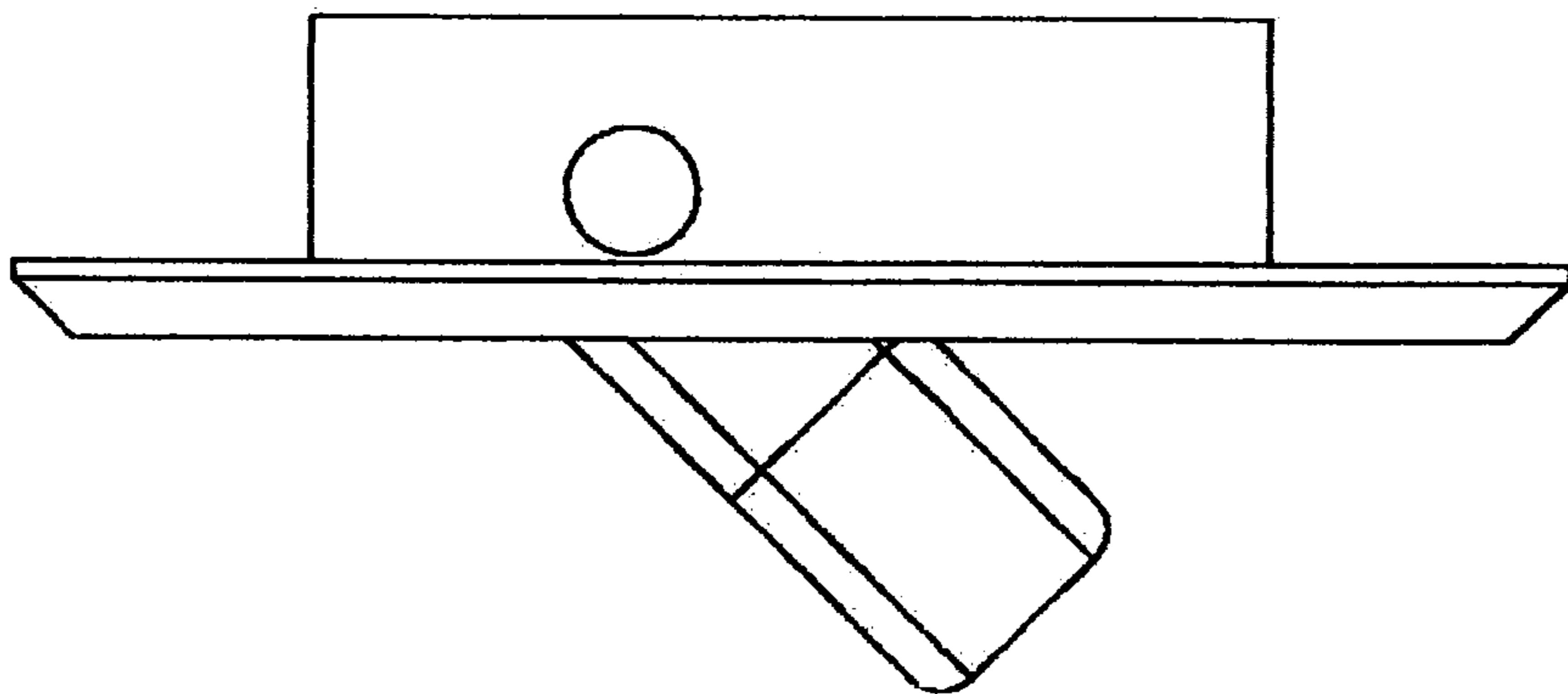


FIG. 1

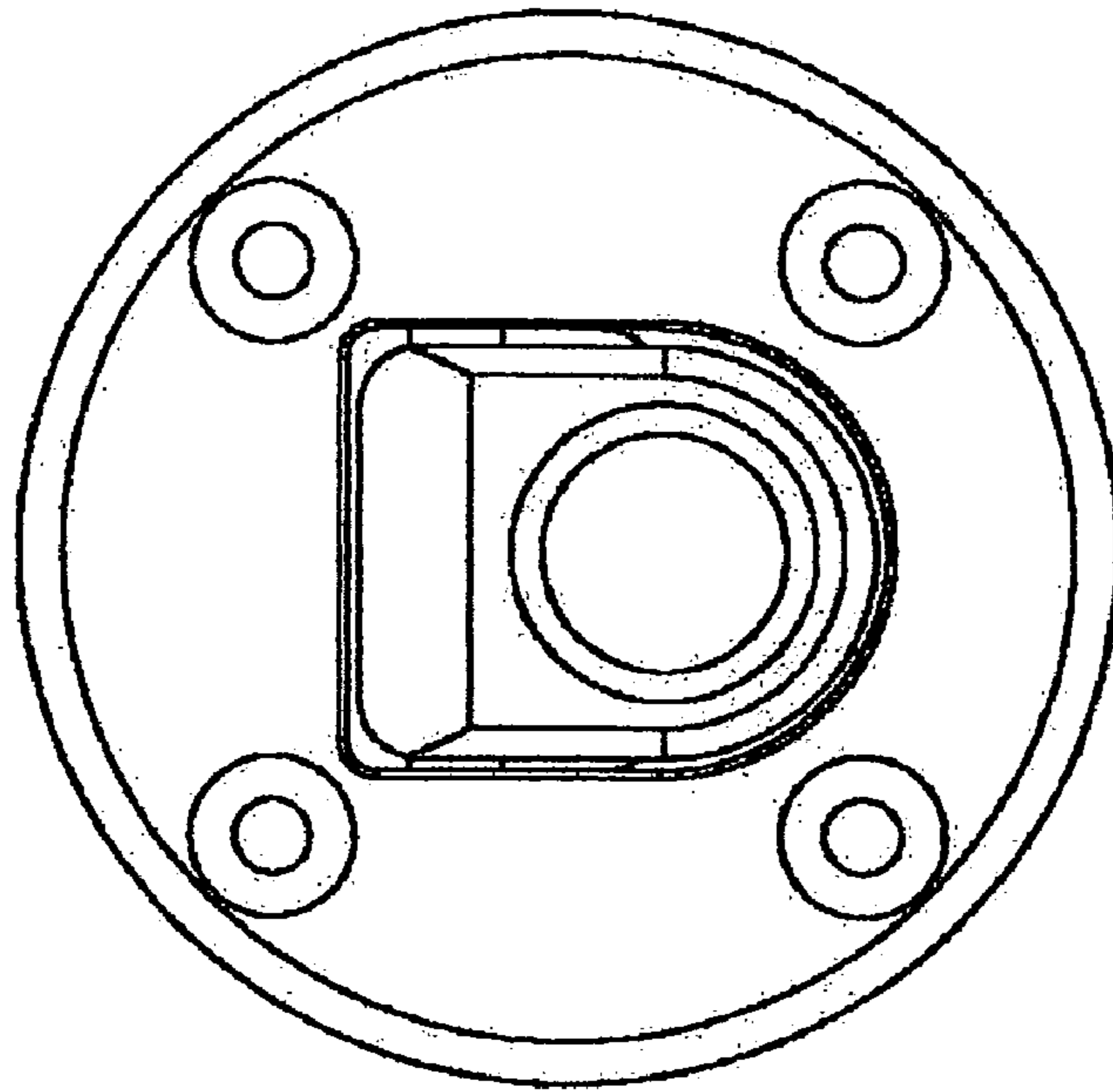


FIG. 5

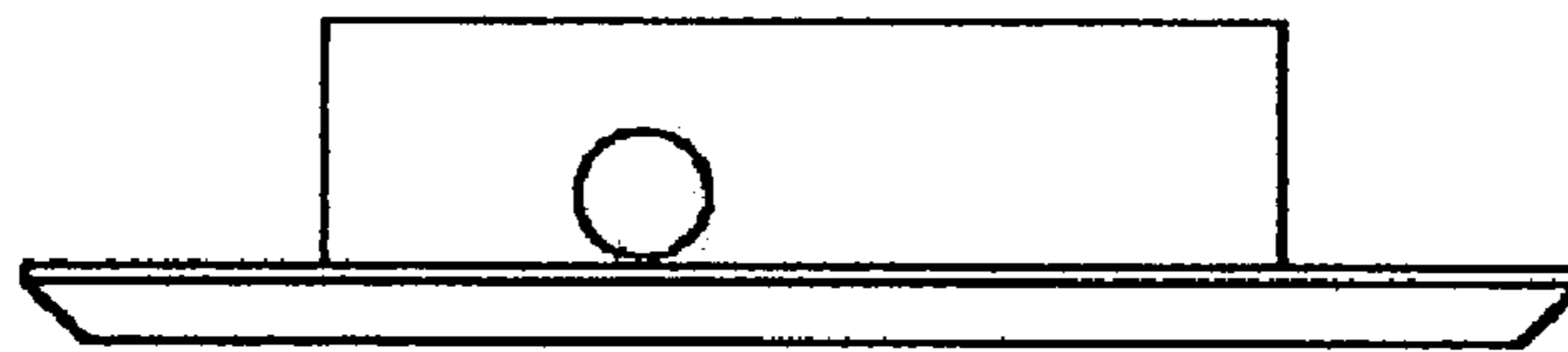


FIG. 4

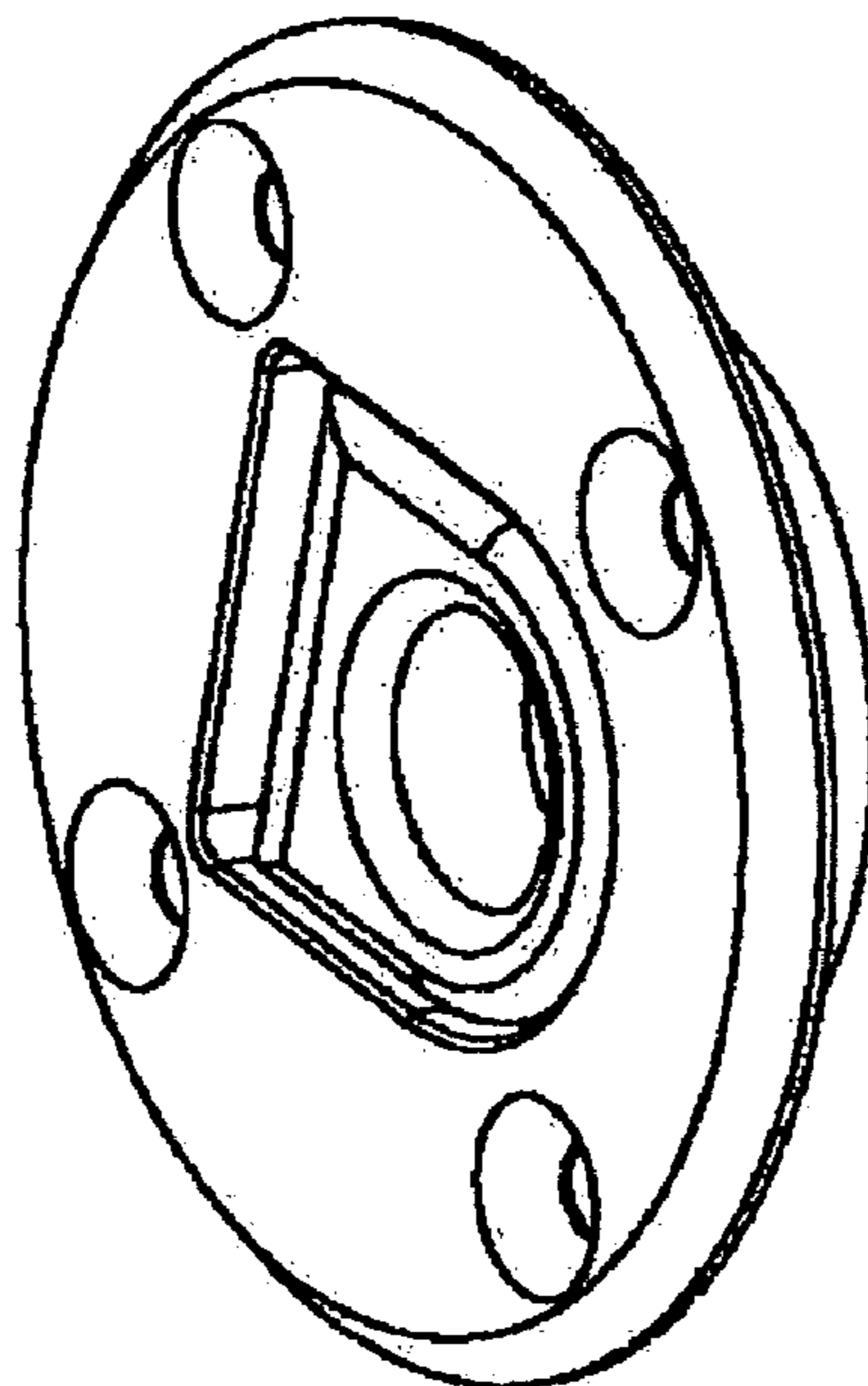


FIG. 3

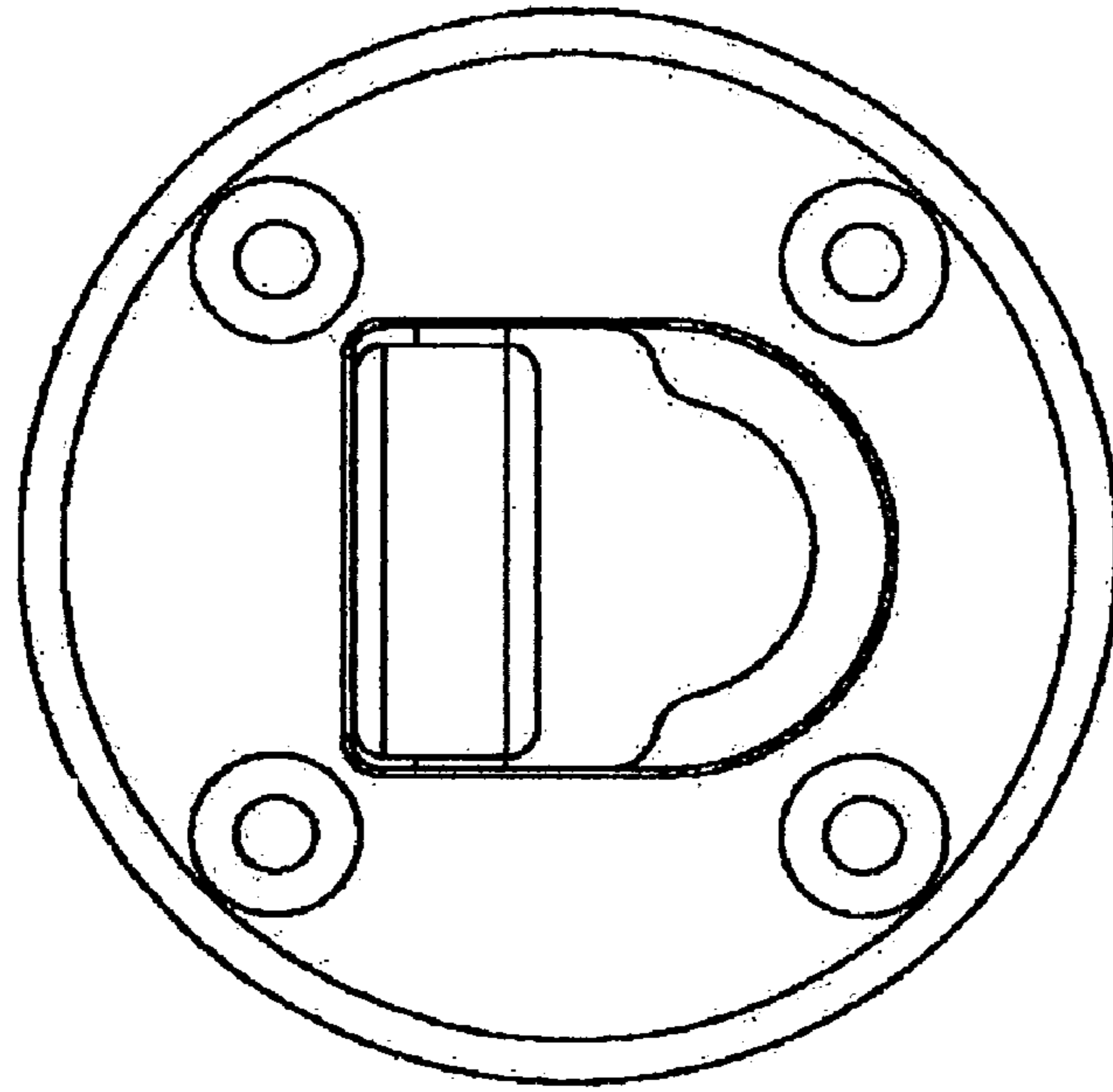


FIG. 6

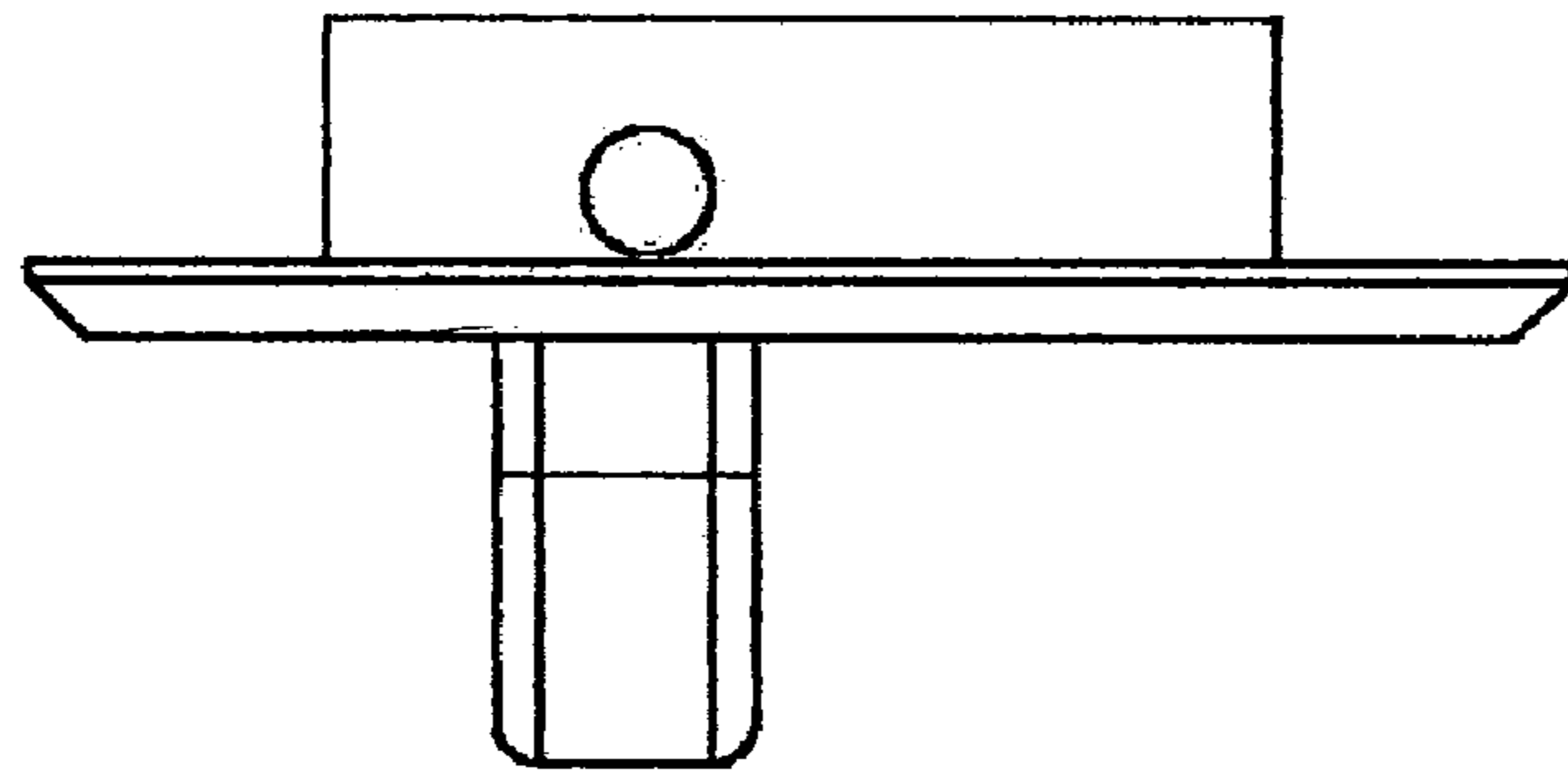


FIG. 7

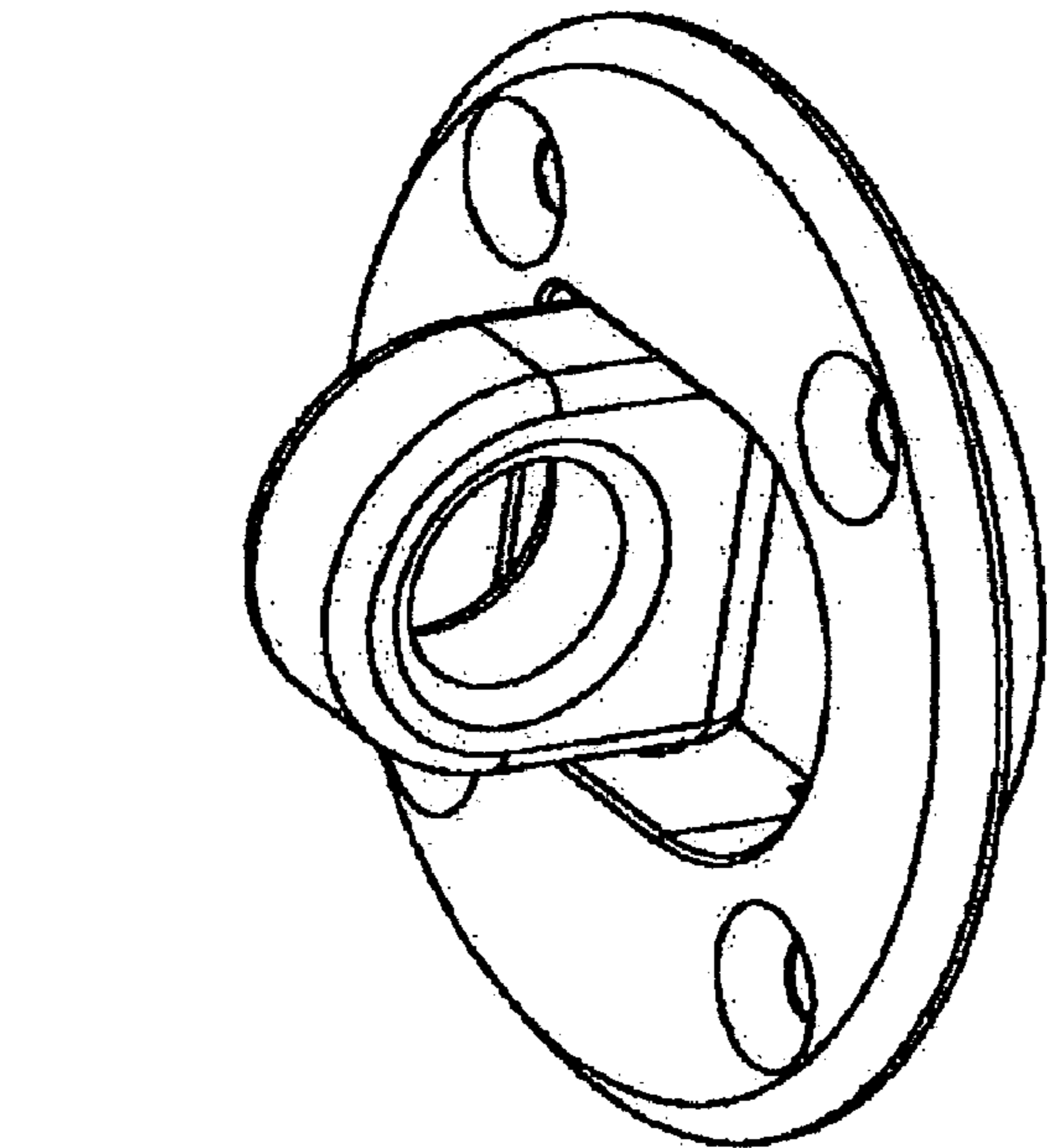


FIG. 8