

US00D549546S

(12) **United States Design Patent**  
**Singtoroj**

(10) **Patent No.:** **US D549,546 S**

(45) **Date of Patent:** **\*\* Aug. 28, 2007**

(54) **LEVER**

6,357,807 B1 \* 3/2002 Fan ..... 292/226

(75) Inventor: **Yos Singtoroj**, Anaheim, CA (US)

\* cited by examiner

(73) Assignee: **Newfrey LLC**, Newark, DE (US)

*Primary Examiner*—Paula A. Greene  
(74) *Attorney, Agent, or Firm*—Richard J. Veltman; John D. DelPonti

(\*\*) Term: **14 Years**

(21) Appl. No.: **29/247,064**

(57) **CLAIM**

(22) Filed: **May 26, 2006**

The ornamental design for a lever, as shown and described.

(51) **LOC (8) Cl.** ..... **08-06**

(52) **U.S. Cl.** ..... **D8/308**

(58) **Field of Classification Search** ..... D8/301–302,  
D8/307–308, 310–311, DIG. 10; D23/250–254;  
16/110.1, 412, 414; 74/523, 543; 292/336.3,  
292/226, 165

See application file for complete search history.

**DESCRIPTION**

FIG. 1 is a perspective view of a lever showing a new design;

FIG. 2 is a front view thereof;

FIG. 3 is a back view thereof;

FIG. 4 is a top view thereof, the bottom view being a mirror image;

FIG. 5 is a right side view thereof; and,

FIG. 6 is a left side view thereof.

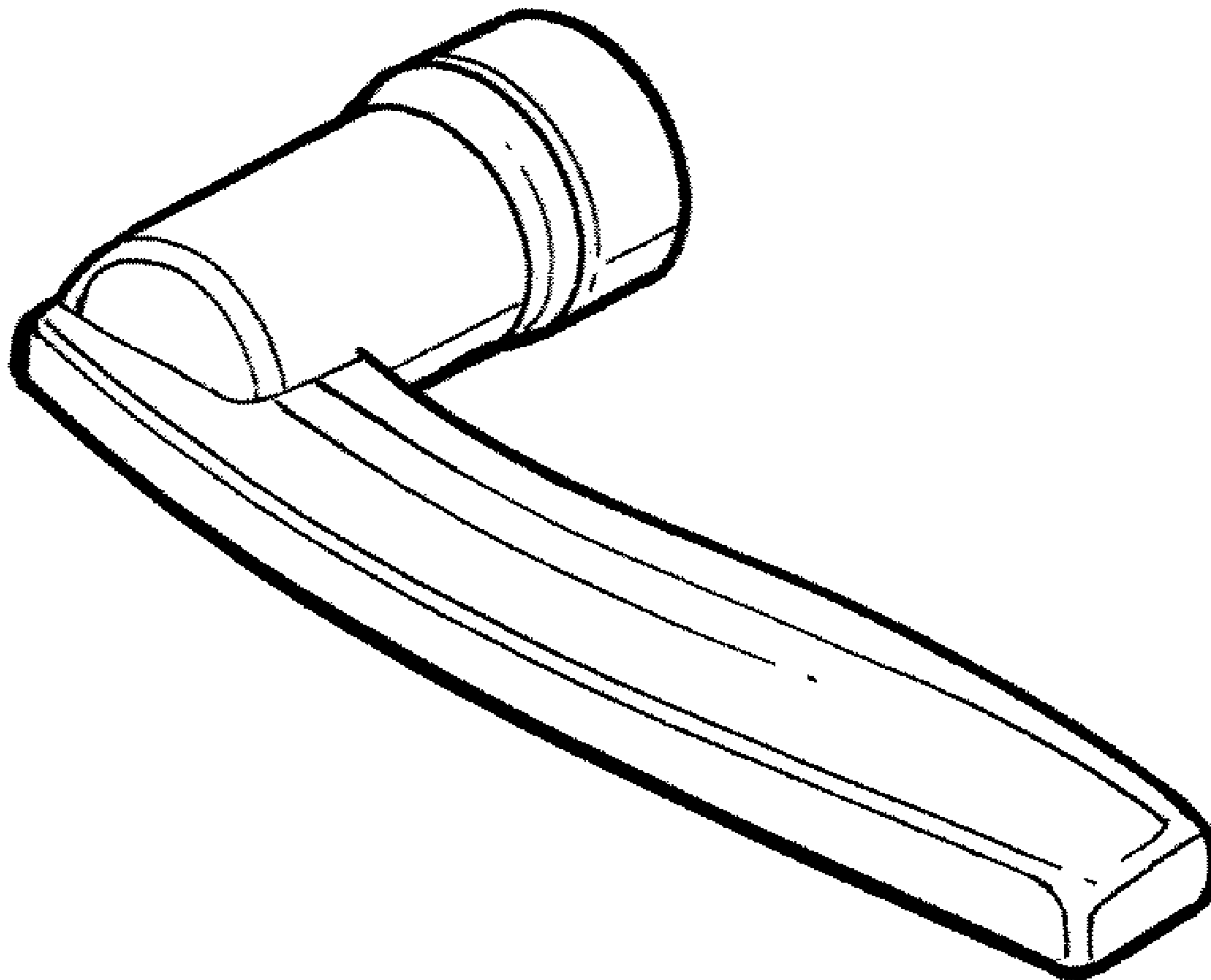
The broken lines in the Figures are for illustrative purposes only and form no part of the claimed design.

(56) **References Cited**

**U.S. PATENT DOCUMENTS**

D56,140 S *	8/1920	Greene	.....	D8/308
D261,726 S *	11/1981	Valli	.....	D8/301
D357,730 S *	4/1995	Saperstein	.....	D23/252
D395,220 S *	6/1998	Klinker	.....	D8/308
5,813,708 A *	9/1998	Shen	.....	292/165

**1 Claim, 1 Drawing Sheet**



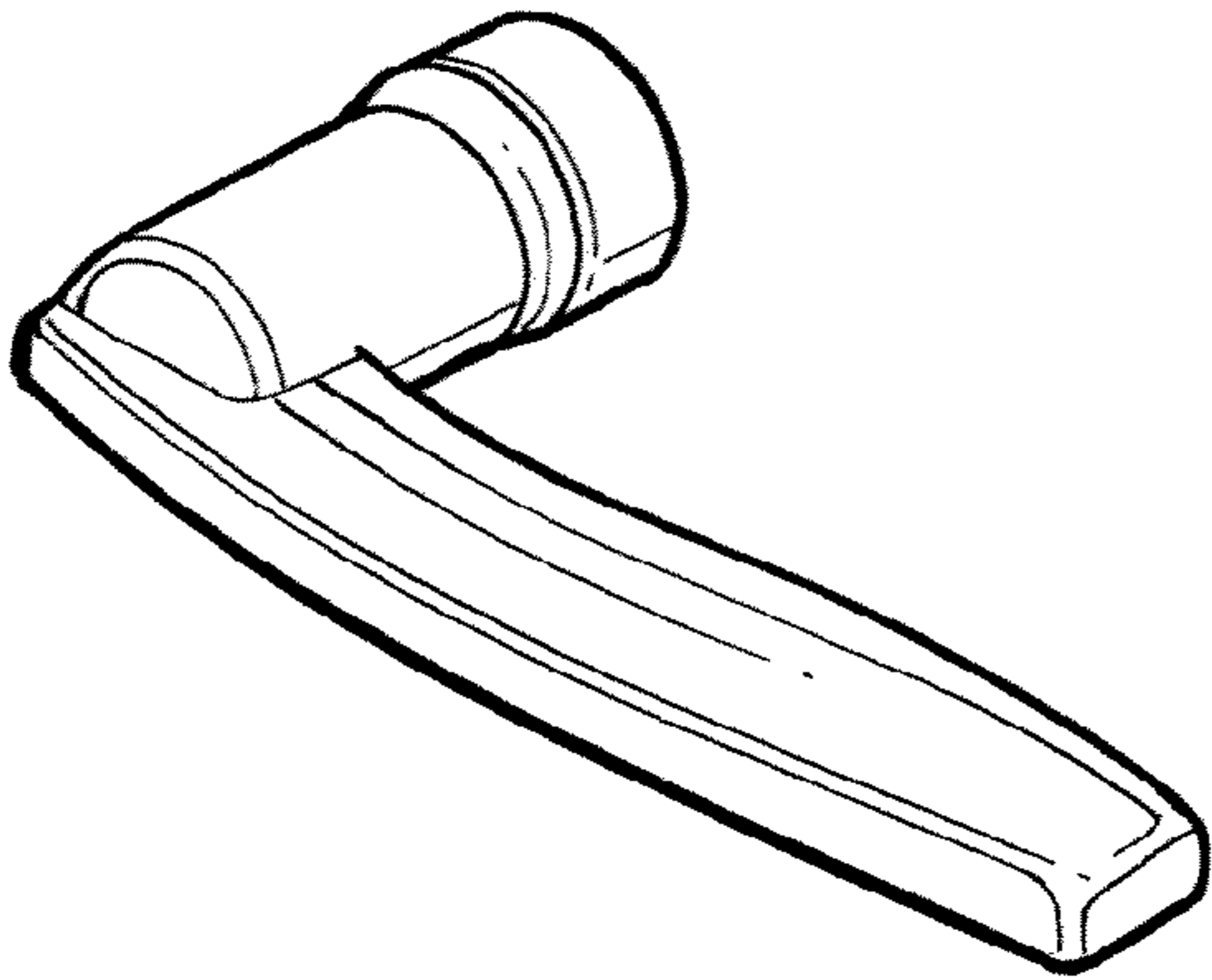


FIG. 1

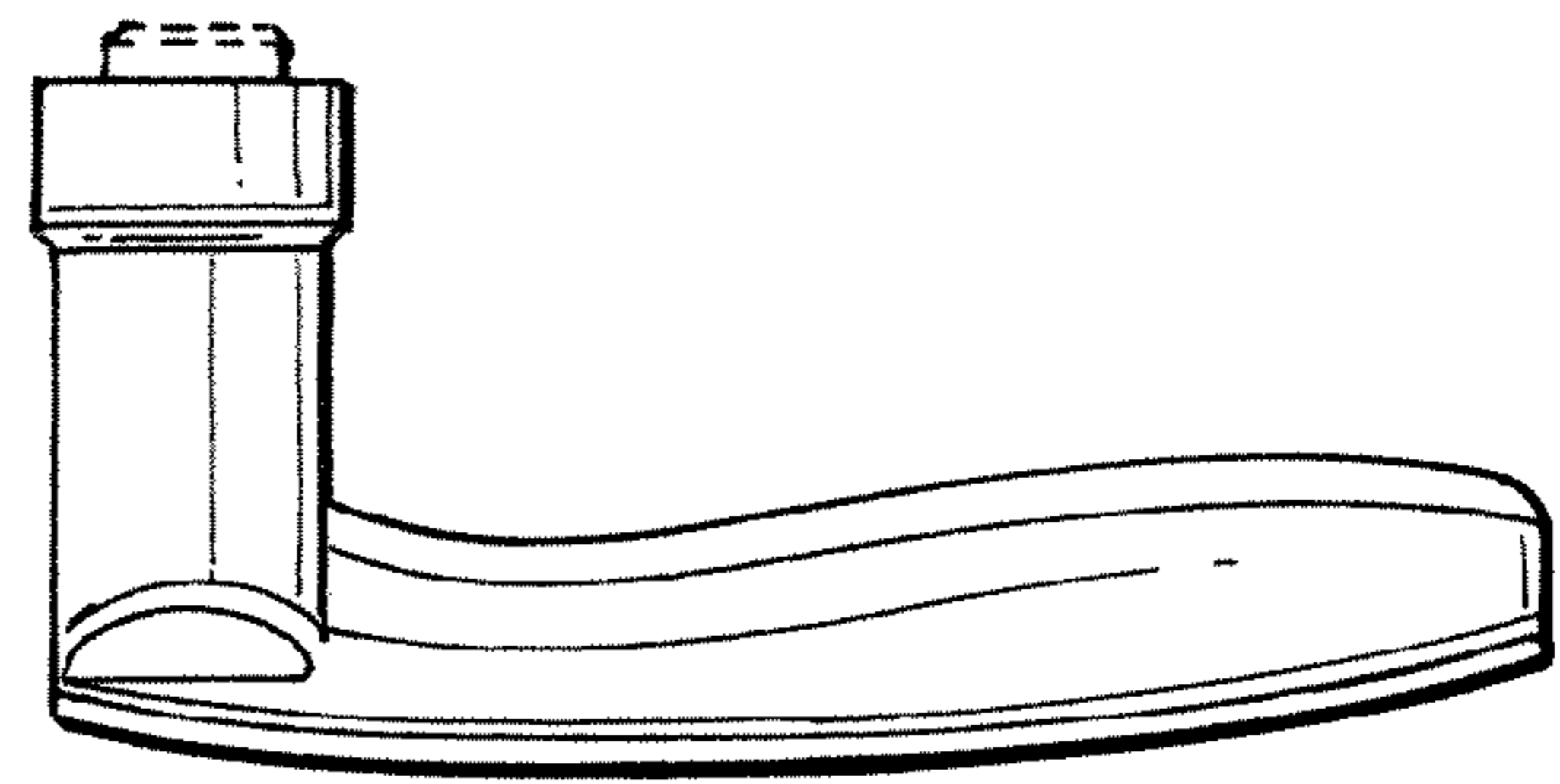


FIG. 4

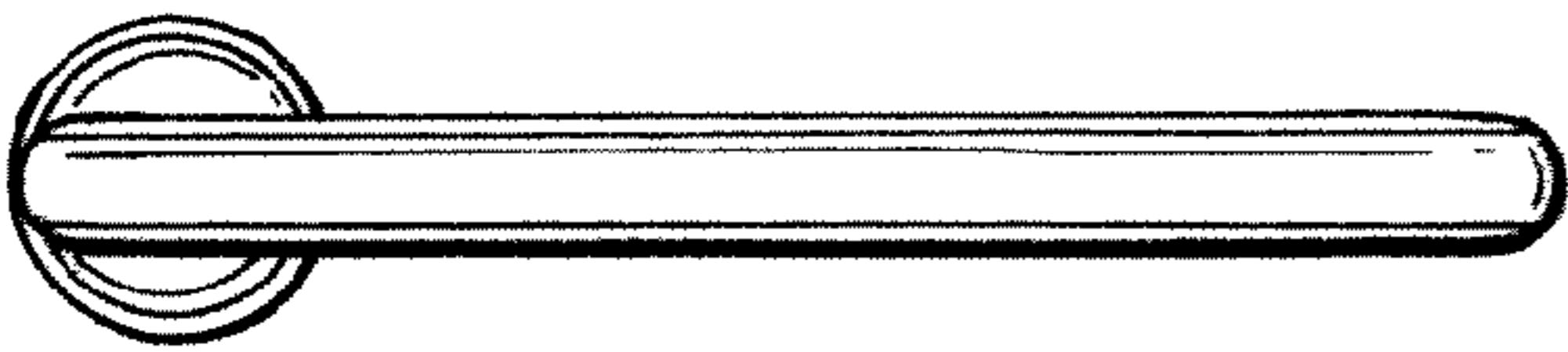


FIG. 2

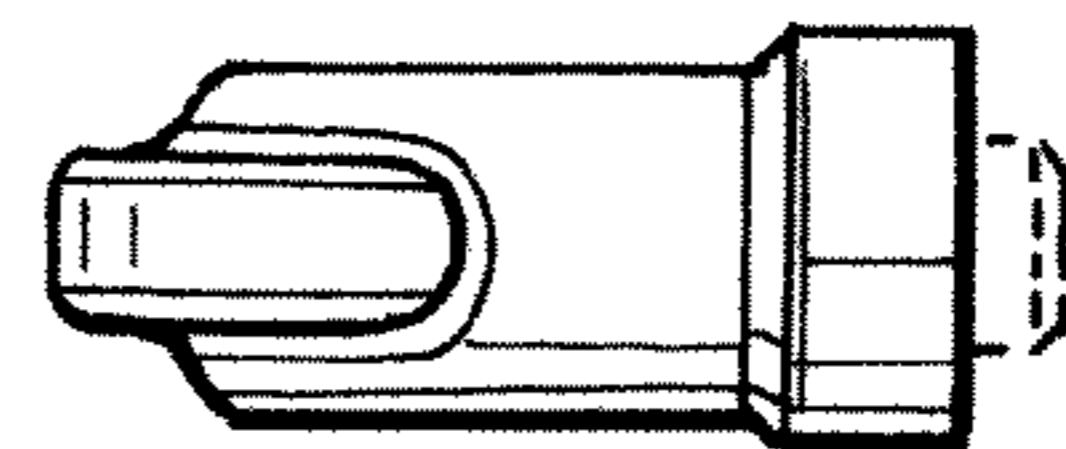


FIG. 5

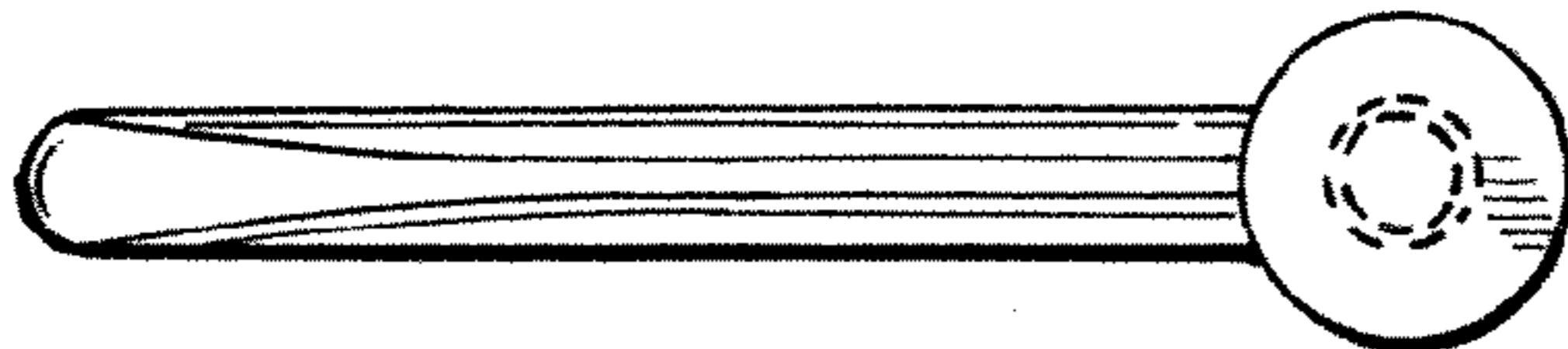


FIG. 3

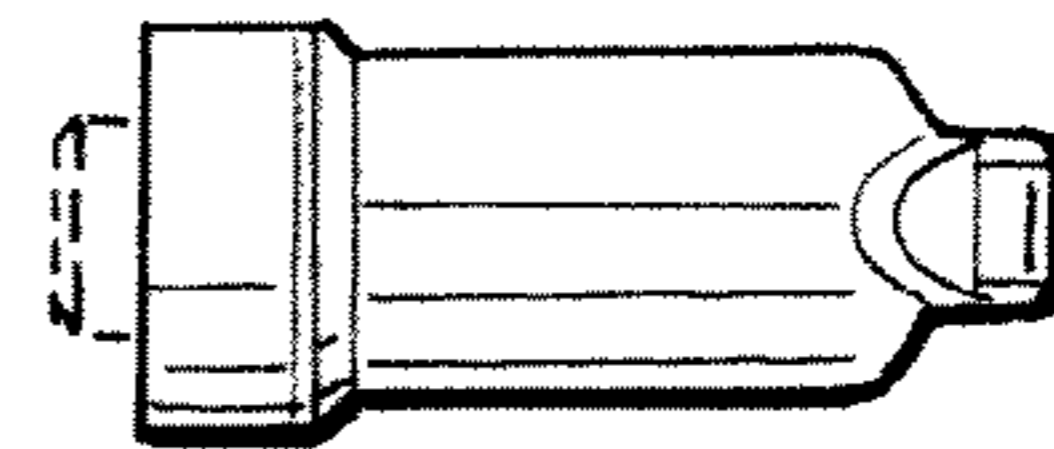


FIG. 6