



US00D549539S

(12) **United States Design Patent**
Walters

(10) **Patent No.:** **US D549,539 S**

(45) **Date of Patent:** **** Aug. 28, 2007**

(54) **ROTARY KNIFE**

(75) Inventor: **Keith Walters**, The Well House,
Binfield Heath, Berkshire RG9 4DR
(GB)

(73) Assignee: **Keith Walters**

(**) Term: **14 Years**

(21) Appl. No.: **29/257,926**

(22) Filed: **Apr. 12, 2006**

(30) **Foreign Application Priority Data**

Oct. 12, 2005 (EP) 000418165

(51) **LOC (8) Cl.** **08-03**

(52) **U.S. Cl.** **D8/70**

(58) **Field of Classification Search** D8/20,
D8/61, 62, 64, 66, 70; D15/126, 133, 138-140;
30/307, 347, 355, 388, 389-391, 276; 83/663,
83/676, 592, 835-838, 846-855, 865, 932;
451/259, 359, 420, 490, 510, 526, 540, 541,
451/542, 543, 544, 545, 546, 547, 548, 550;
51/296; D7/383, 694, 696, 697; D24/146;
241/82.1, 82.2, 82.3; 125/13.01, 15, 18,
125/22

See application file for complete search history.

(56) **References Cited**

U.S. PATENT DOCUMENTS

54,535 A * 5/1866 Harrison 451/548
197,688 A * 11/1877 Tilton 83/855
212,921 A * 3/1879 Gardner 83/592
579,414 A * 3/1897 Vance 451/546
809,254 A * 1/1906 Golden 451/541
920,199 A * 5/1909 Slager 451/540
1,000,696 A * 8/1911 Schlueter 451/541

1,248,330 A * 11/1917 Huish et al. 30/347
1,906,609 A 5/1933 Jahn
3,864,884 A * 2/1975 Weissman 451/490
D401,822 S * 12/1998 Pearlman D8/20
5,896,801 A * 4/1999 Jacko 83/865
6,007,007 A 12/1999 Haack et al. 241/82.1
6,460,444 B2 * 10/2002 Jacko 83/592
D465,984 S * 11/2002 Harada et al. D8/70

FOREIGN PATENT DOCUMENTS

DE 873 683 2/1950
DE 3414375 10/1985
DE 4301787 1/1993
DE 102 51 629 6/2004
EP 1295640 9/2002
FR 607099 11/1925
RU 1791020 1/1993
RU 2 184 613 10/2002

* cited by examiner

Primary Examiner—T. Chase Nelson
(74) *Attorney, Agent, or Firm*—Westman, Champlin &
Kelly, P.A.

(57) **CLAIM**

The ornamental design for a rotary knife, as shown and described.

DESCRIPTION

FIG. 1 is a top view of a rotary knife embodying my invention;

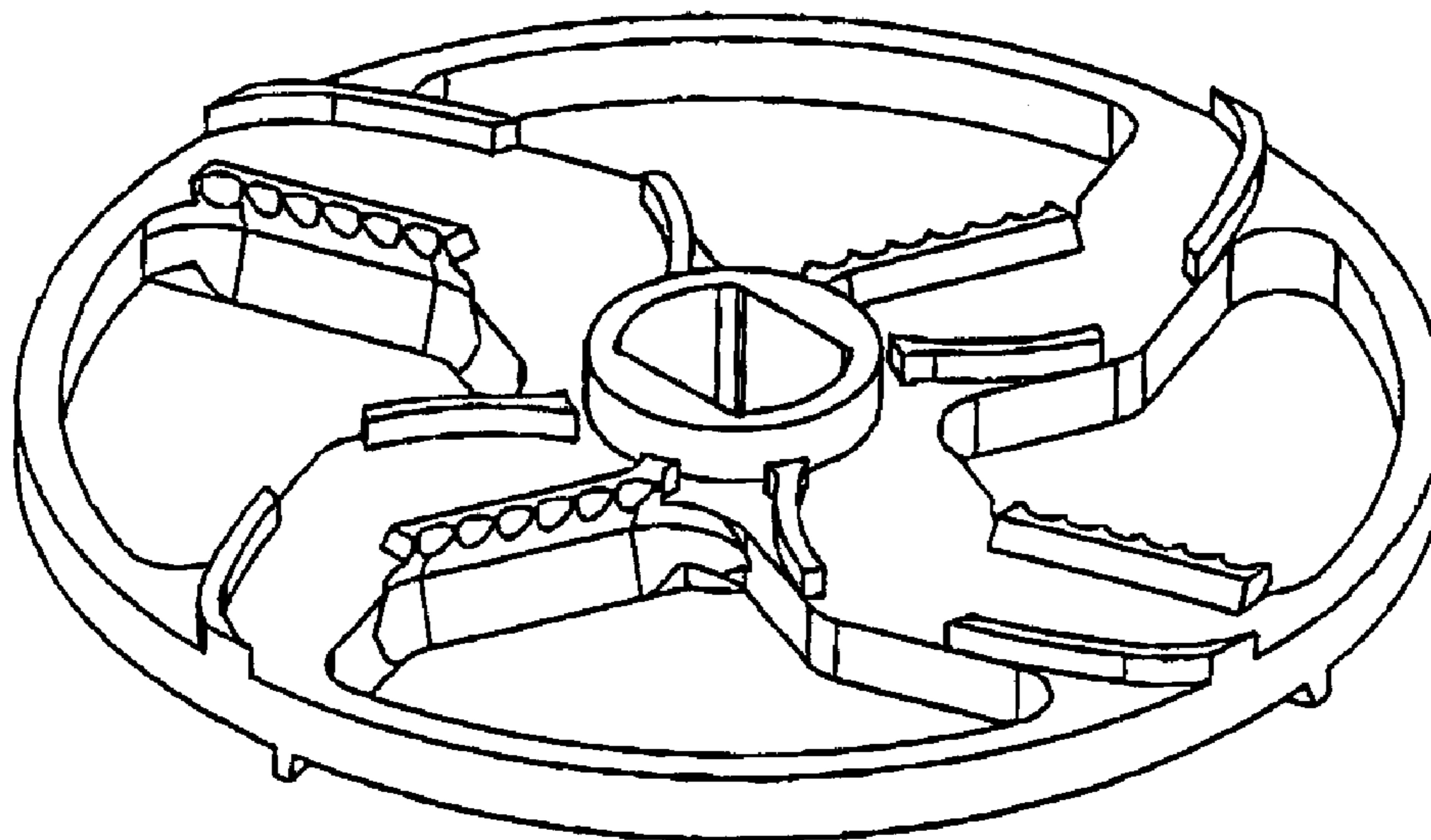
FIG. 2 is a side view thereof;

FIG. 3 is a bottom view thereof;

FIG. 4 is a top perspective view thereof; and,

FIG. 5 is a bottom perspective view thereof.

1 Claim, 5 Drawing Sheets



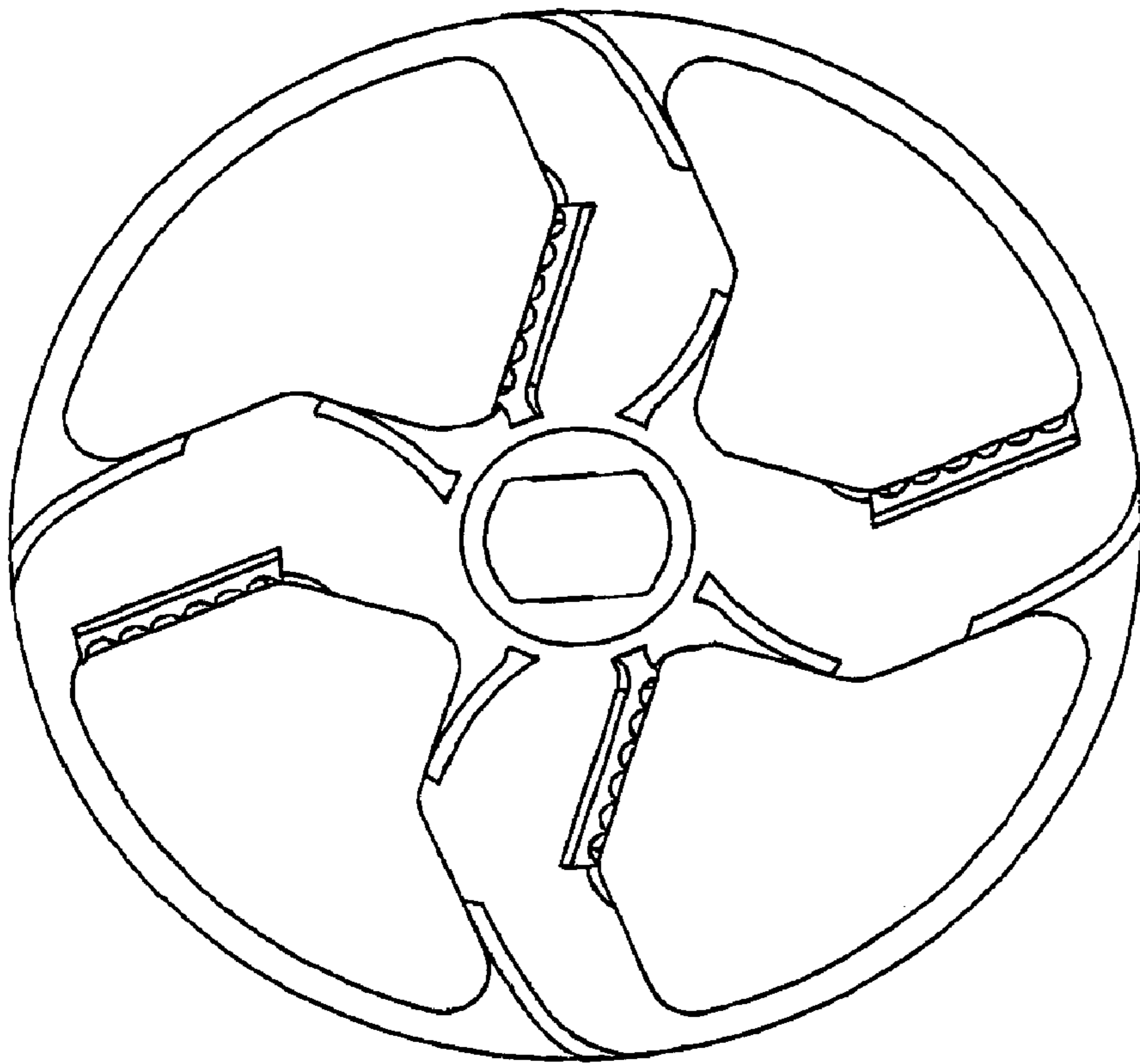


FIG. 1

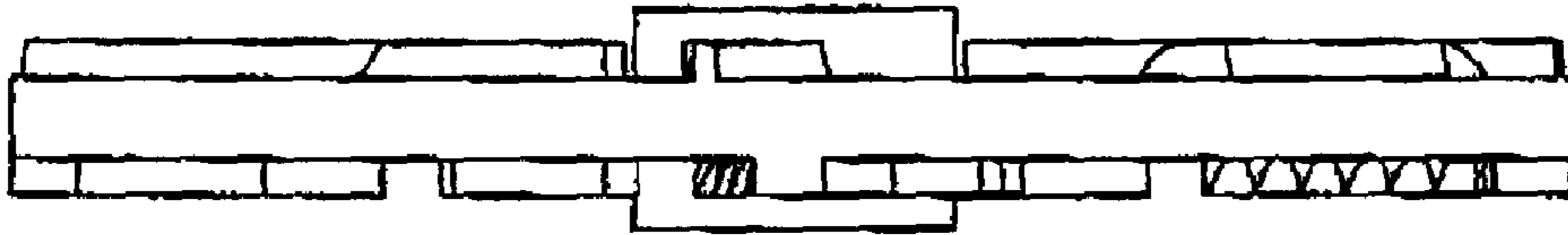


FIG. 2

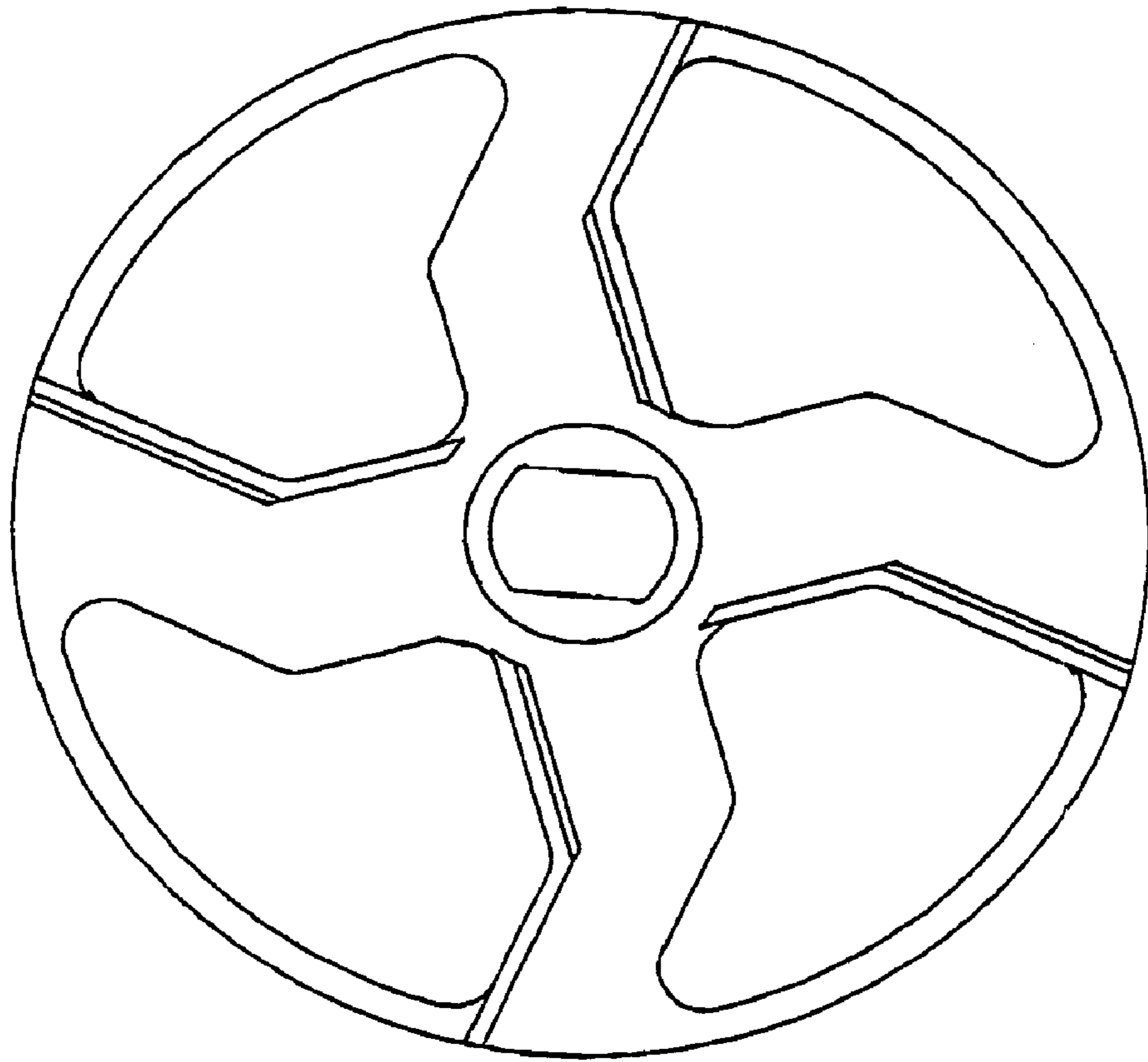


FIG. 3

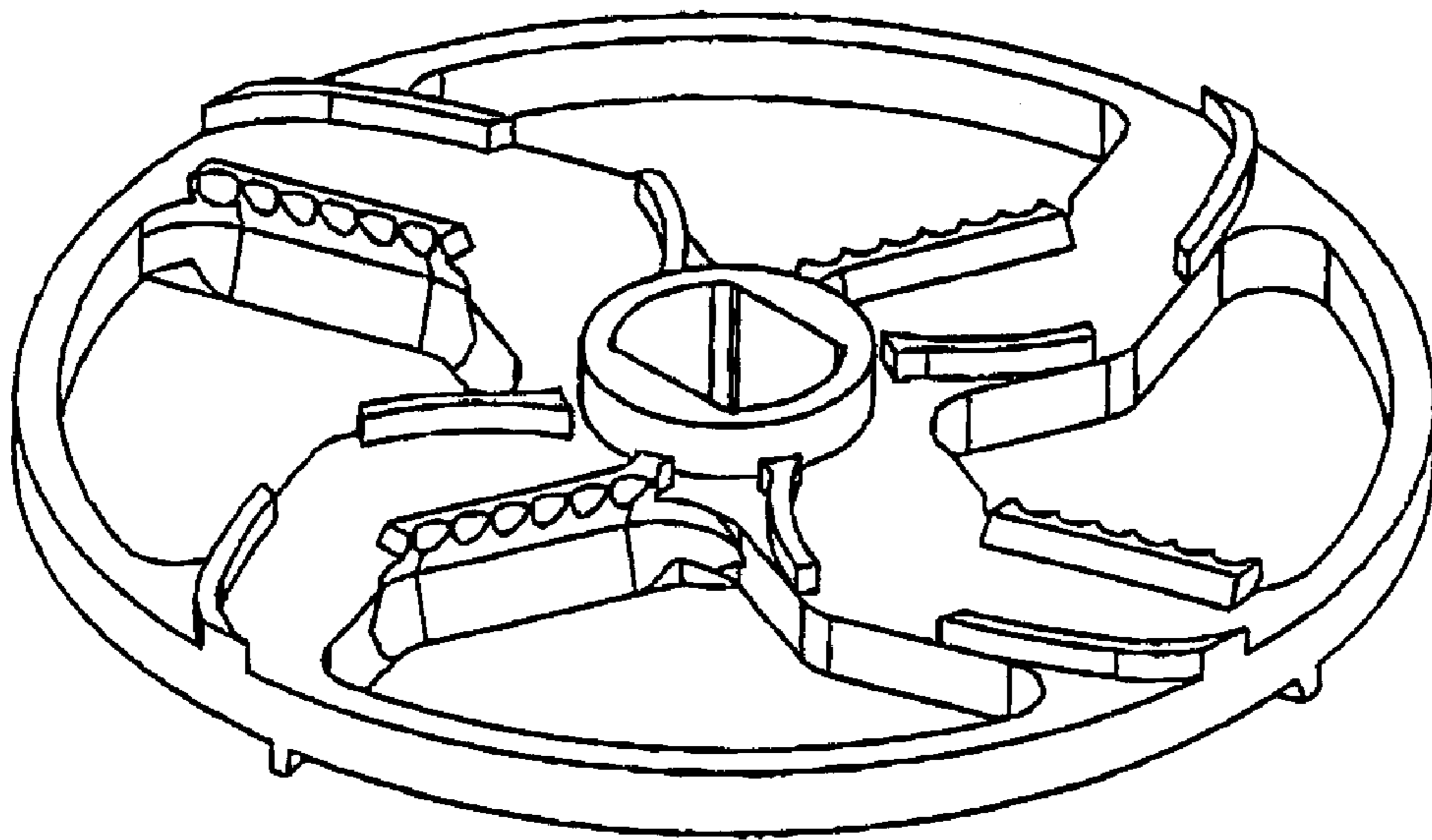


FIG. 4

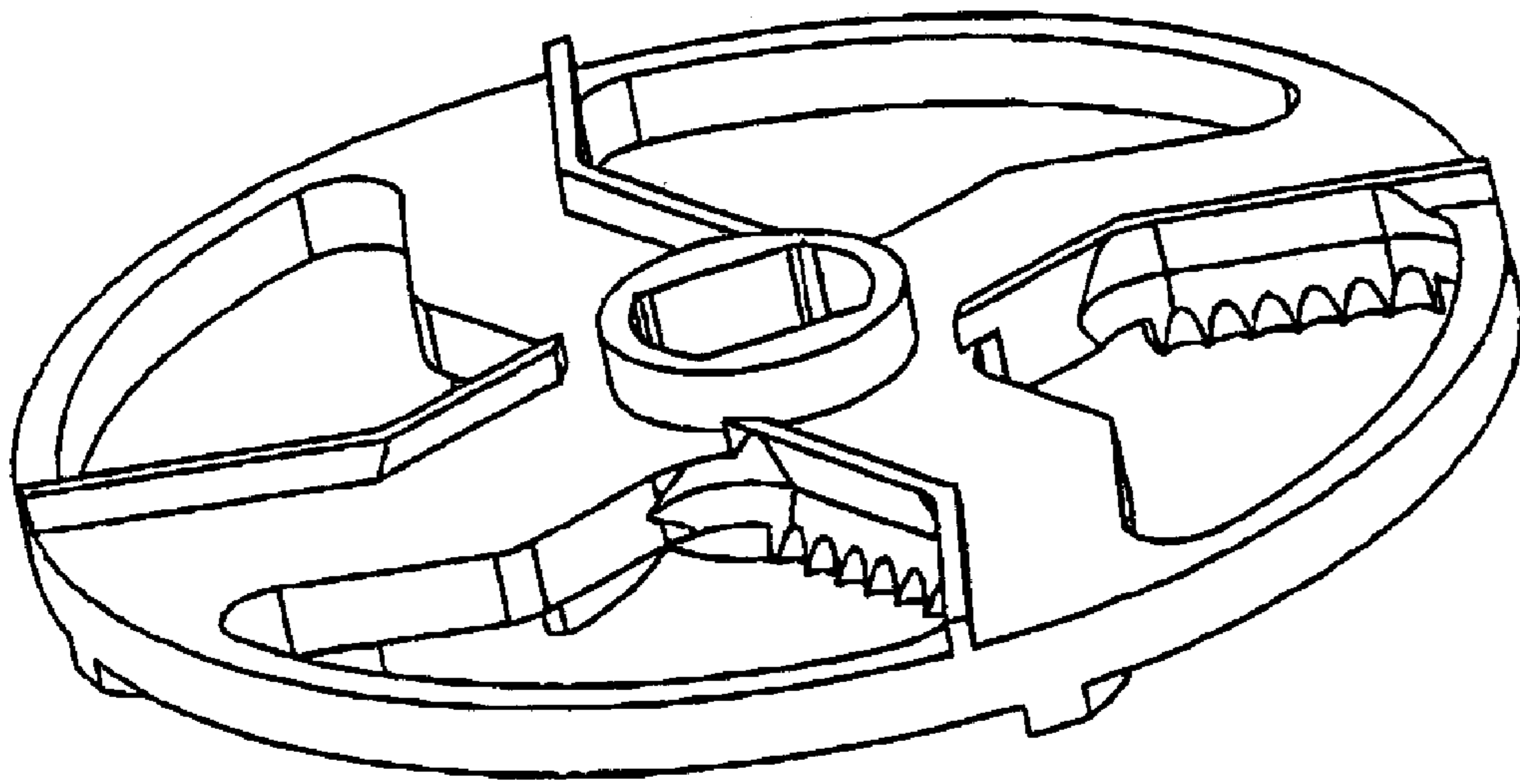


FIG. 5