

US00D549538S

(12) **United States Design Patent**
Lee et al.

(10) **Patent No.:** **US D549,538 S**
(45) **Date of Patent:** **** Aug. 28, 2007**

(54) **PORTABLE AIR NAILER**

(75) Inventors: **Sang-Chun Lee**, Gyeonggi-do (KR);
Gil-Sub Song, Incheon (KR);
Jong-Yeol Han, Gyeonggi-do (KR)

(73) Assignee: **Jeil Tacker Co., Ltd.**, Seoul (KR)

(**) Term: **14 Years**

(21) Appl. No.: **29/242,245**

(22) Filed: **Nov. 7, 2005**

(30) **Foreign Application Priority Data**

May 21, 2005 (KR) 30-2005-0016991

(51) **LOC (8) Cl.** **08-05**

(52) **U.S. Cl.** **D8/69**

(58) **Field of Classification Search** D8/14.1,
D8/49, 61-64, 65, 66, 67, 68, 69, 70; 81/57.11,
81/429, 464, 465, 466, 469, 489; 173/13,
173/104, 114, 168, 169, 170, 171, 178, 201,
173/211, 213, 217; 408/20, 124, 125, 234,
408/241 R; 451/358; 310/50; 227/8, 114,
227/120, 130, 136, 142, 132, 134, 127, 128,
227/113

See application file for complete search history.

(56) **References Cited**

U.S. PATENT DOCUMENTS

- 4,669,648 A * 6/1987 Monacelli 227/120
- D334,329 S * 3/1993 Ogawa et al. D8/68
- D337,252 S * 7/1993 Tsuru et al. D8/69
- D338,819 S * 8/1993 Ohkochi D8/69
- 5,240,161 A * 8/1993 Kaneko 227/136
- 5,267,682 A * 12/1993 Okouchi 227/120
- D377,592 S * 1/1997 Hattori D8/69
- D379,912 S * 6/1997 Burke et al. D8/68
- D387,259 S * 12/1997 Braddock et al. D8/69

- D387,260 S * 12/1997 Hattori D8/69
- 5,715,982 A * 2/1998 Adachi 227/130
- D392,170 S * 3/1998 Hattori D8/68
- 5,743,455 A * 4/1998 Holliday 227/142
- 5,842,625 A * 12/1998 Kimura 227/130
- D403,938 S * 1/1999 Matsuoka et al. D8/68
- 5,862,970 A * 1/1999 Cougar 227/130
- 5,878,936 A * 3/1999 Adachi et al. 227/130
- 6,152,346 A * 11/2000 Laubach 227/136
- D435,205 S * 12/2000 Etter et al. D8/68
- 6,161,744 A * 12/2000 Mukoyama et al. 227/130
- D438,079 S * 2/2001 Hattori D8/69
- 6,308,880 B1 * 10/2001 Ronconi 227/130
- D466,781 S * 12/2002 Matsuoka et al. D8/69

(Continued)

FOREIGN PATENT DOCUMENTS

GB 2049899 S * 3/1995

Primary Examiner—T. Chase Nelson

(74) *Attorney, Agent, or Firm*—Lee, Hong, Degerman, Kang & Schmadeka

(57) **CLAIM**

The ornamental design for a portable air nailer, as shown and described.

DESCRIPTION

FIG. 1 is a front perspective view of the portable nailer showing our design;

FIG. 2 is front view thereof;

FIG. 3 is rear view thereof;

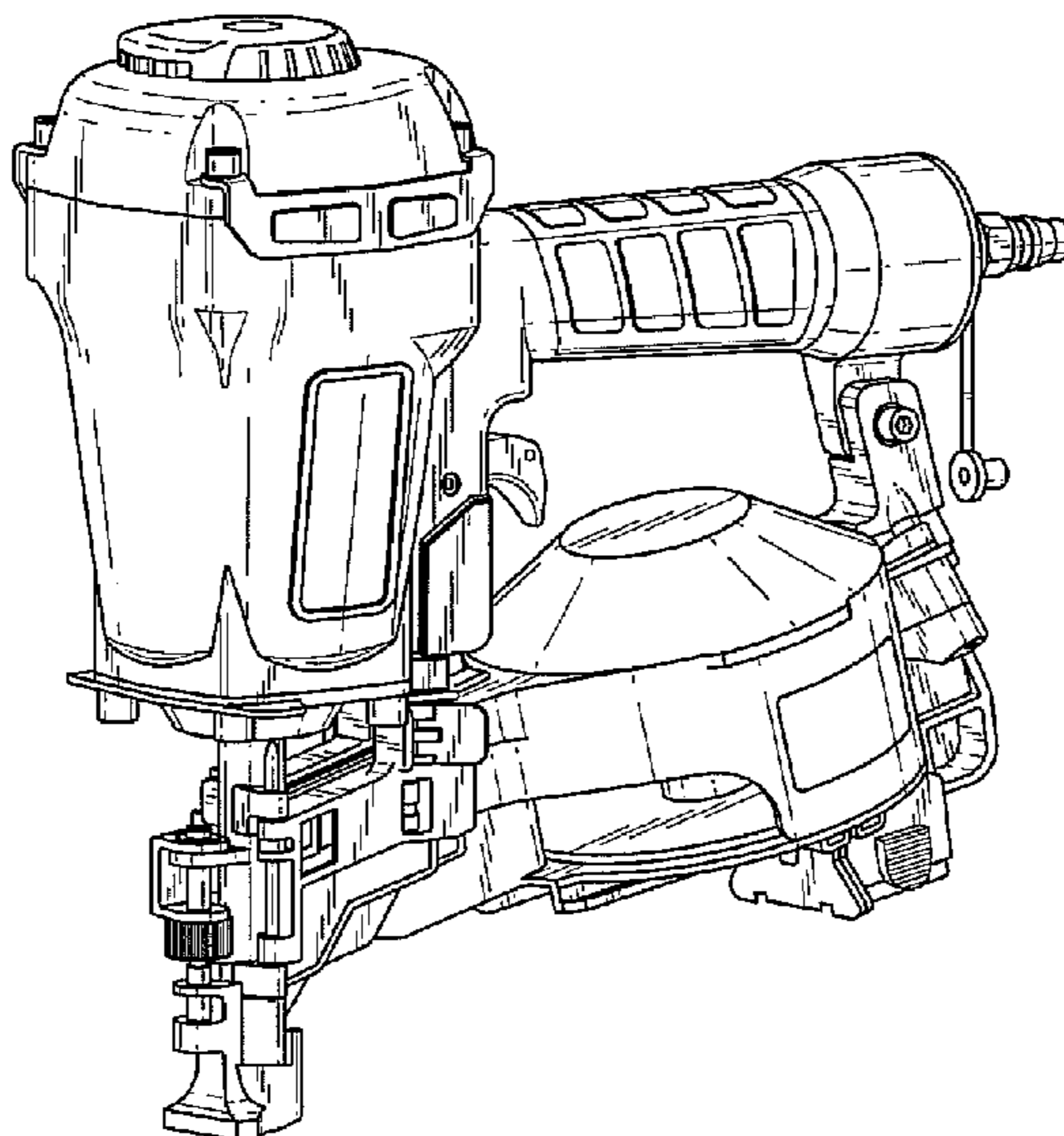
FIG. 4 is right side view thereof;

FIG. 5 is a left side view thereof;

FIG. 6 is a top view thereof; and,

FIG. 7 is a bottom view thereof.

1 Claim, 5 Drawing Sheets



US D549,538 S

Page 2

U.S. PATENT DOCUMENTS

D474,386 S *	5/2003	Arai	D8/68	6,948,647 B1 *	9/2005	Niblett et al.	227/130
D477,514 S *	7/2003	Chen	D8/68	6,966,476 B2 *	11/2005	Jalbert et al.	227/8
6,675,999 B2 *	1/2004	Mukoyama et al.	227/130	2001/0006183 A1 *	7/2001	Mukoyama et al.	227/130
D491,035 S *	6/2004	Buck	D8/68	2004/0011845 A1 *	1/2004	Walter	227/120
6,824,036 B2 *	11/2004	Walter	227/120	2004/0084501 A1 *	5/2004	Lin	227/120
D501,383 S *	2/2005	Fang et al.	D8/68	2005/0006426 A1 *	1/2005	Walter	227/8
6,883,696 B1 *	4/2005	Steinbrunner et al.	227/8	2005/0023323 A1 *	2/2005	Jalbert et al.	227/120
D509,418 S *	9/2005	Leasure	D8/68	2005/0263560 A1 *	12/2005	Niblett et al.	227/120

* cited by examiner

FIG. 1

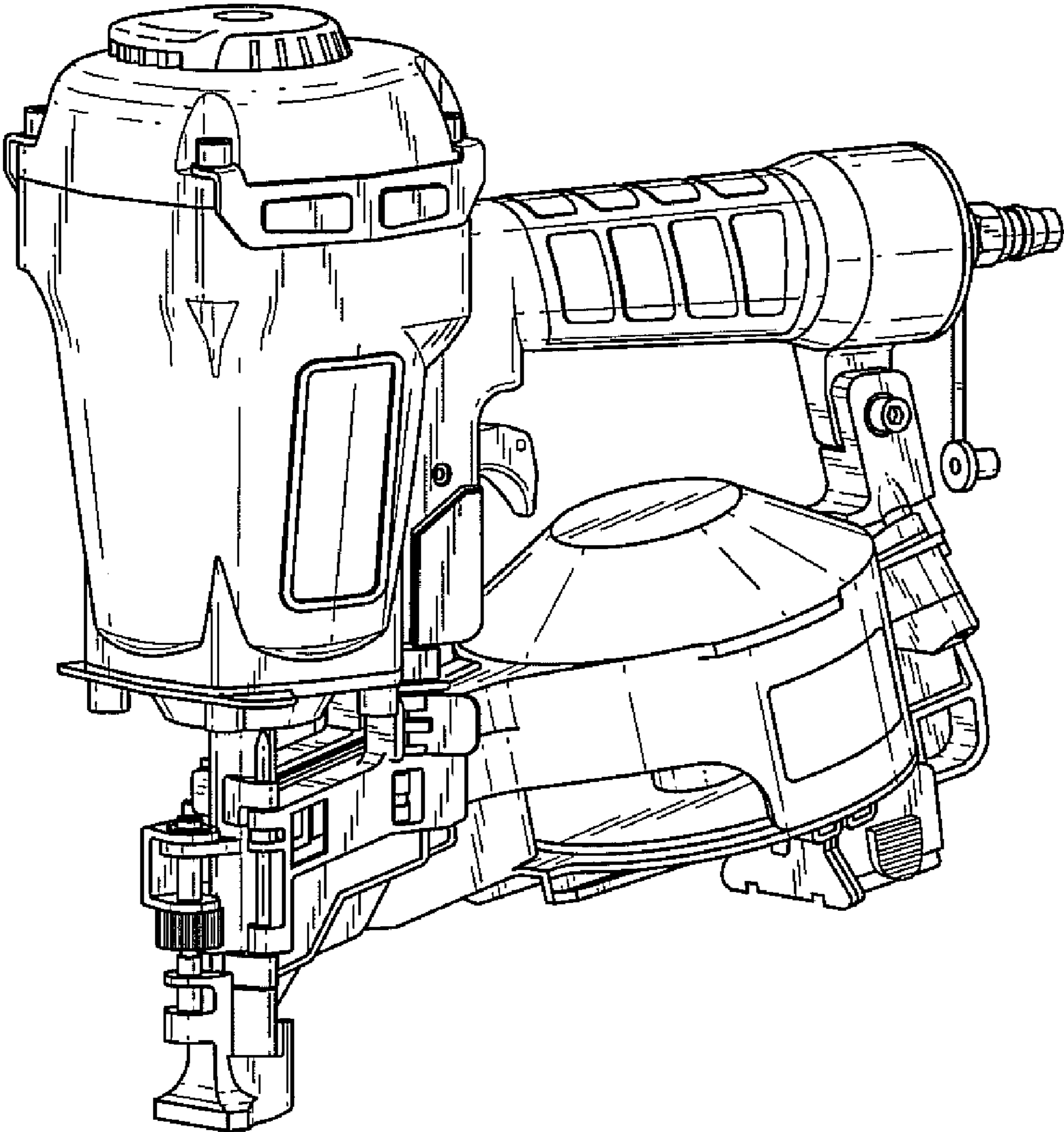


FIG. 2

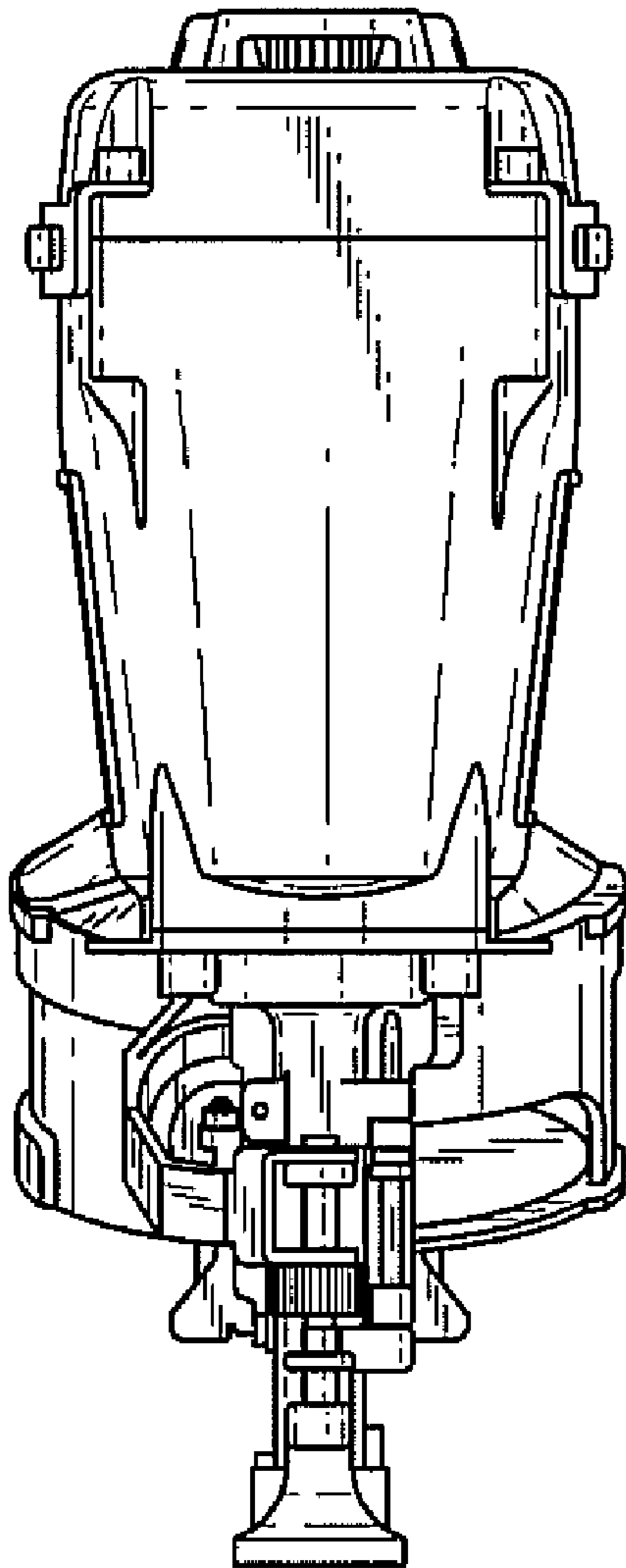


FIG. 3

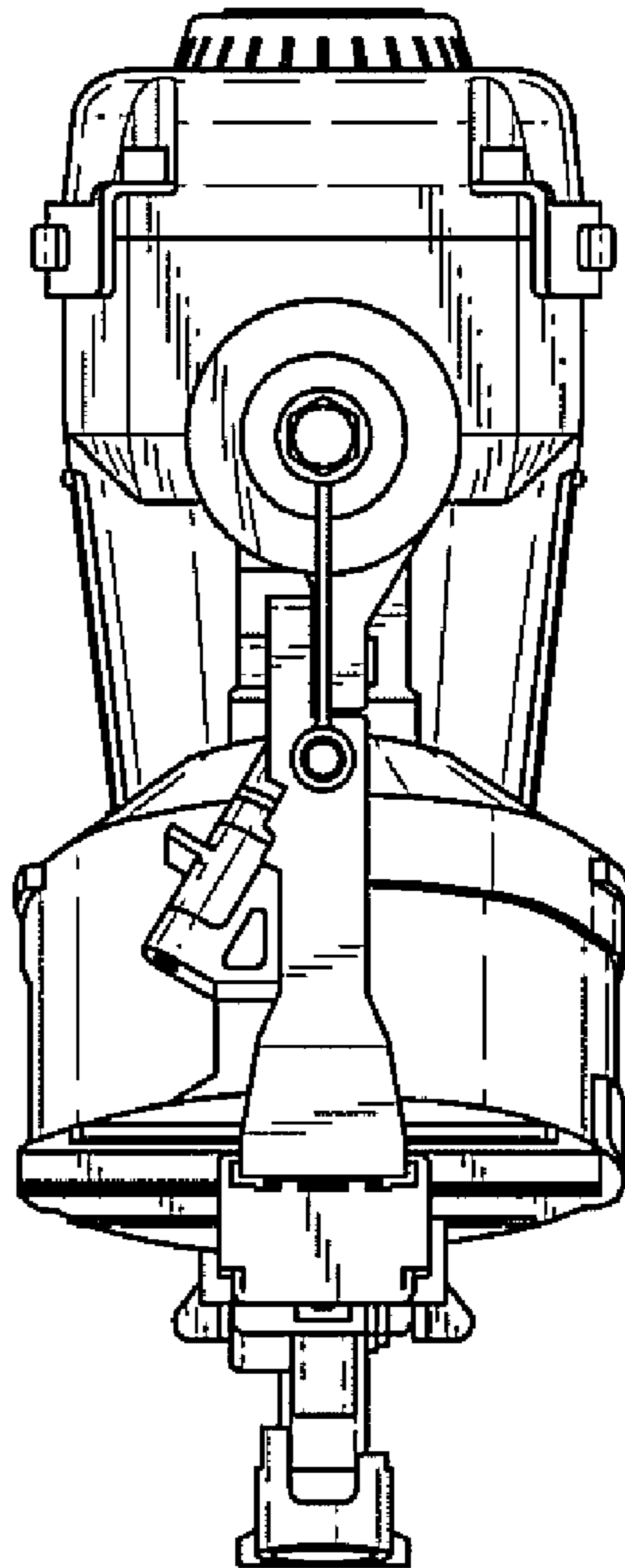


FIG. 4

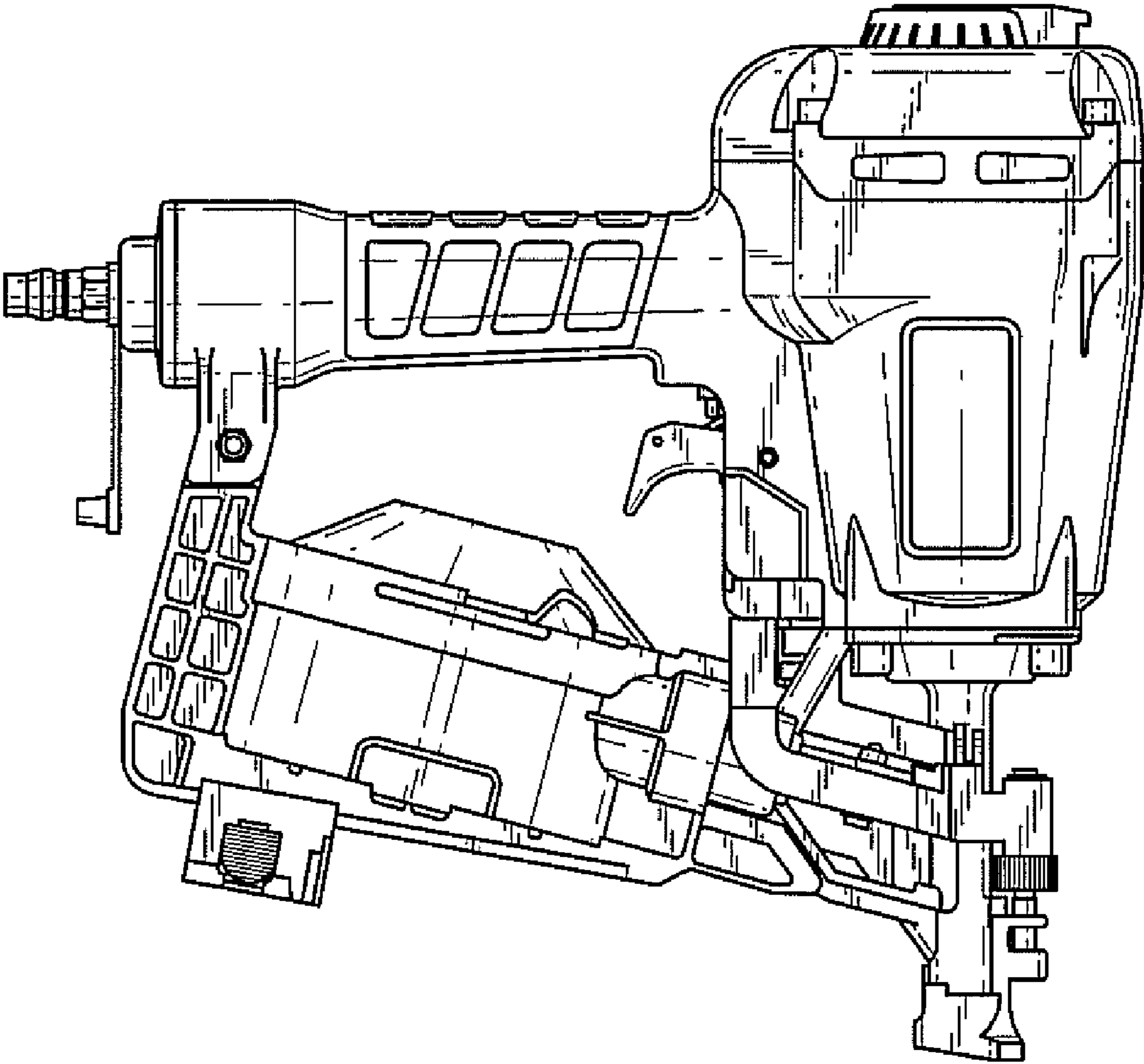


FIG. 5

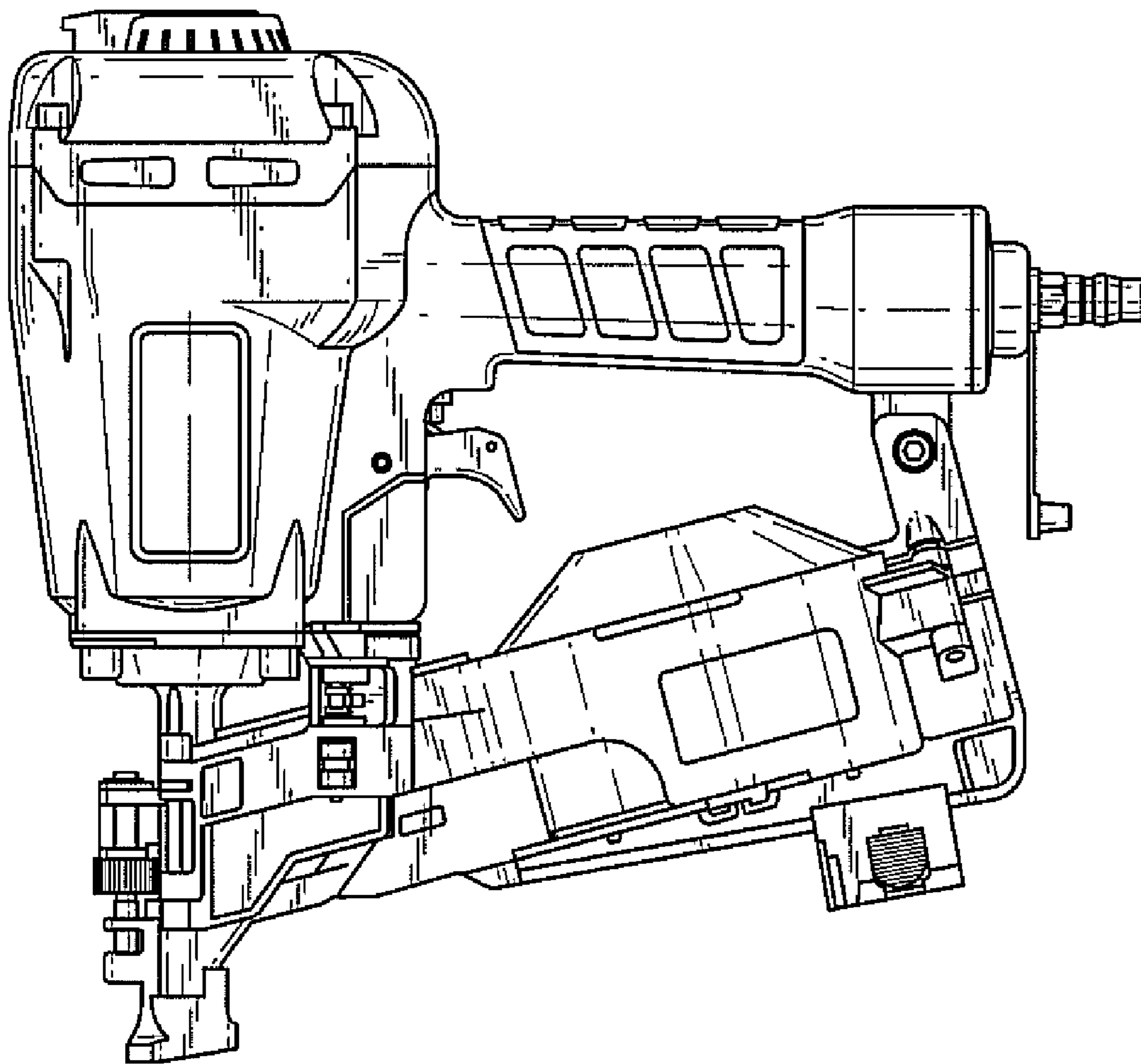


FIG. 6

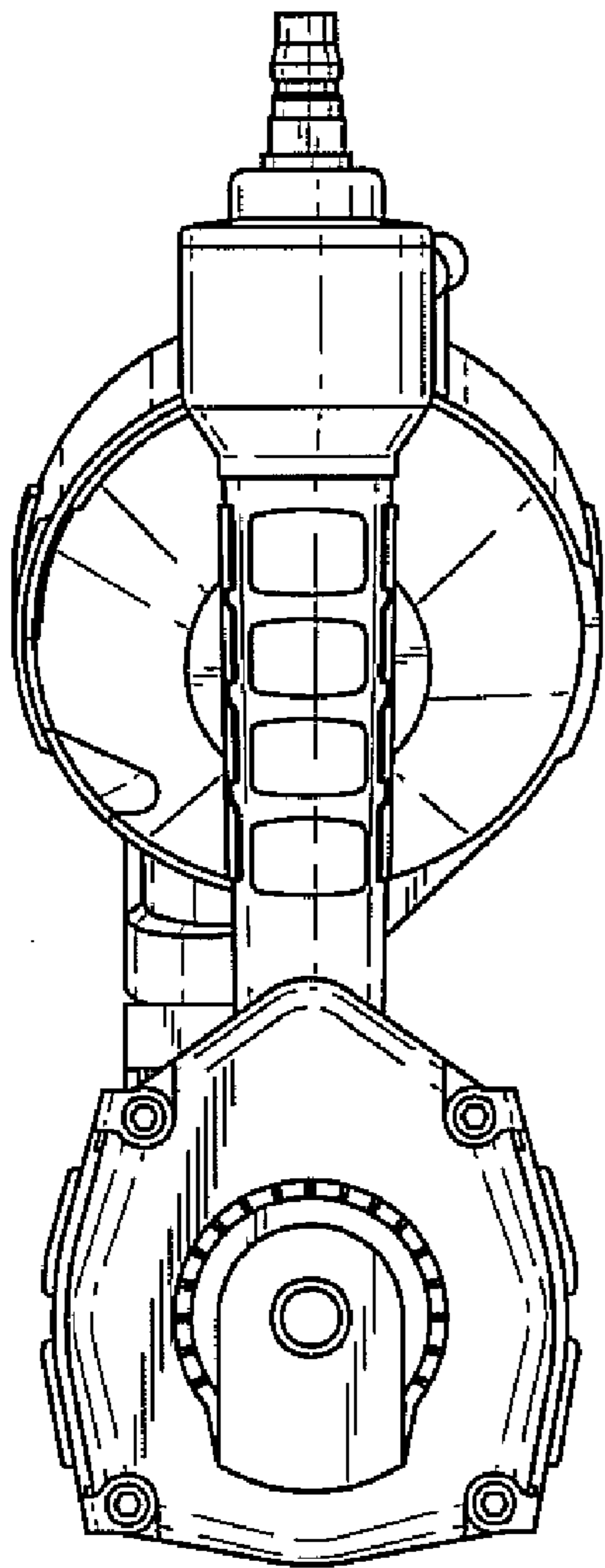


FIG. 7

