



US00D549536S

(12) **United States Design Patent** (10) **Patent No.:** **US D549,536 S**
Schoolcraft et al. (45) **Date of Patent:** **** Aug. 28, 2007**

(54) **DRAIN PLUNGER**

(75) Inventors: **Carlos R. Schoolcraft**, Middletown, OH (US); **William J. Kraimer**, Mason, OH (US); **Michael L. Ernst**, Milford, OH (US)

(73) Assignees: **J. Kirk Leaphart, Jr.**, Simpsonville, SC (US); **C. Mark Leaphart**, Simpsonville, SC (US)

(**) Term: **14 Years**

(21) Appl. No.: **29/195,364**

(22) Filed: **Dec. 10, 2003**

(51) **LOC (8) Cl.** **08-05**

(52) **U.S. Cl.** **D8/51**; D32/35

(58) **Field of Classification Search** D8/51;
D32/35; D23/223, 224; D21/572; 15/406;
4/255.01, 255.02, 255.03, 255.04, 255.05,
4/255.06, 255.07, 255.08, 255.09, 255.11,
4/255.12

See application file for complete search history.

(56) **References Cited**

U.S. PATENT DOCUMENTS

1,040,276	A	*	10/1912	Coleman	4/255.02
2,056,018	A	*	9/1936	Popp	15/406
2,300,319	A	*	10/1942	Smith	4/255.01
2,626,404	A	*	1/1953	Marks	4/255.01
4,445,236	A	*	5/1984	Nadolny et al.	4/255.01
4,566,139	A	*	1/1986	Jeng	4/255.12
4,674,137	A	*	6/1987	Girse	4/255.03
4,847,926	A	*	7/1989	Laputka	4/506

D404,178	S	*	1/1999	Wetzler	D32/35
5,940,897	A	*	8/1999	James	4/255.02
D417,618	S	*	12/1999	Shanklin et al.	D9/448
6,484,326	B1		11/2002	Leaphart et al.	4/255.02

* cited by examiner

Primary Examiner—Alan P. Douglas

Assistant Examiner—Deanna Fluegeman

(74) *Attorney, Agent, or Firm*—Joseph T. Guy; Nexsen Pruet, LLC

(57) **CLAIM**

The ornamental design for a drain plunger, as shown and described.

DESCRIPTION

FIG. 1 is an isometric view of a drain plunger of the present invention;

FIG. 2 is a top view of the drain plunger of FIG. 1;

FIG. 3 is a front view of the drain plunger of FIG. 1 wherein the view is identical with each 180° rotation;

FIG. 4 is a bottom view of a drain plunger of FIG. 1;

FIG. 5 is a side view of the drain plunger of FIG. 1 wherein the view is identical with each 180° rotation;

FIG. 6 is an isometric view of a drain plunger of the present invention;

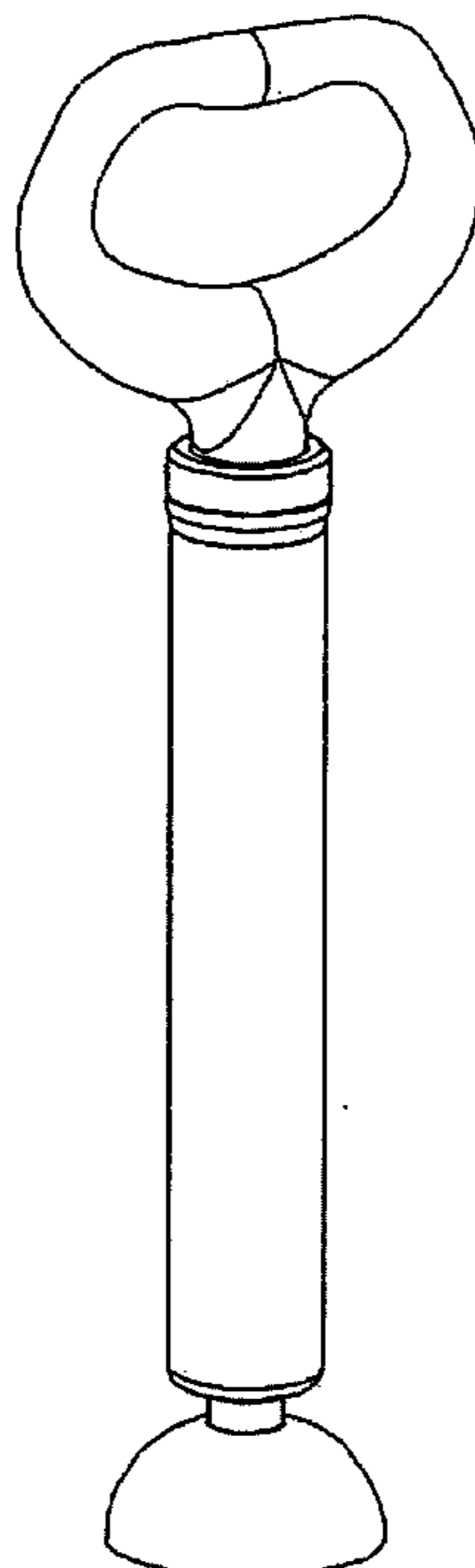
FIG. 7 is a top view of the drain plunger of FIG. 6;

FIG. 8 is a front view of the drain plunger of FIG. 6 wherein the view is identical with each 180° rotation;

FIG. 9 is a bottom view of a drain plunger of FIG. 6; and,

FIG. 10 is a side view of the drain plunger of FIG. 6 wherein the view is identical with each 180° rotation.

1 Claim, 10 Drawing Sheets



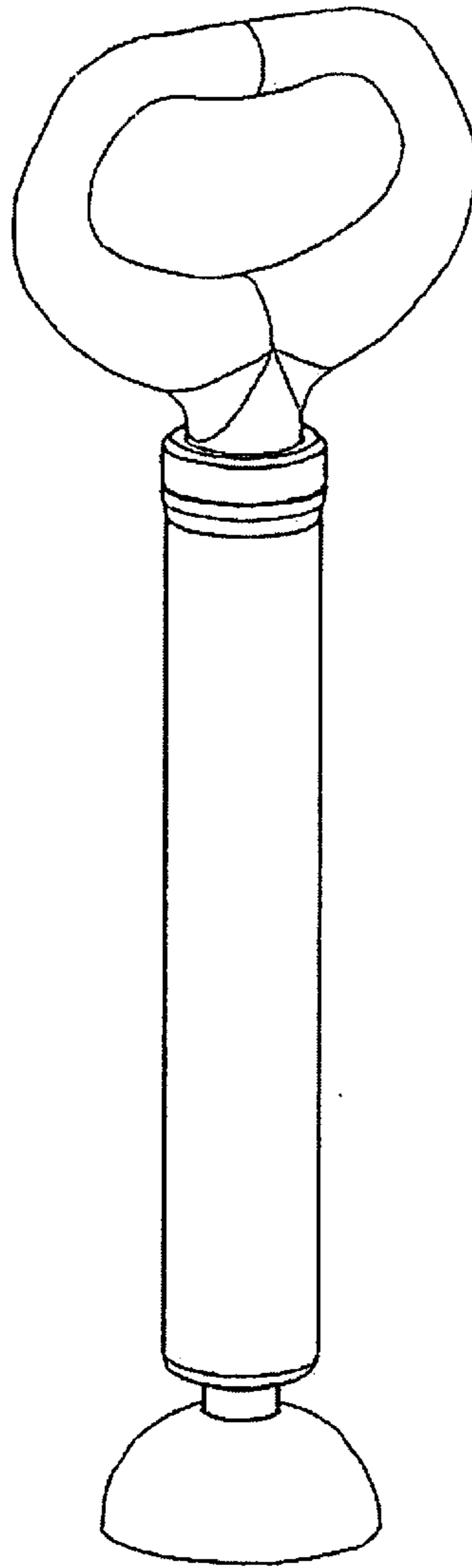


Fig 1

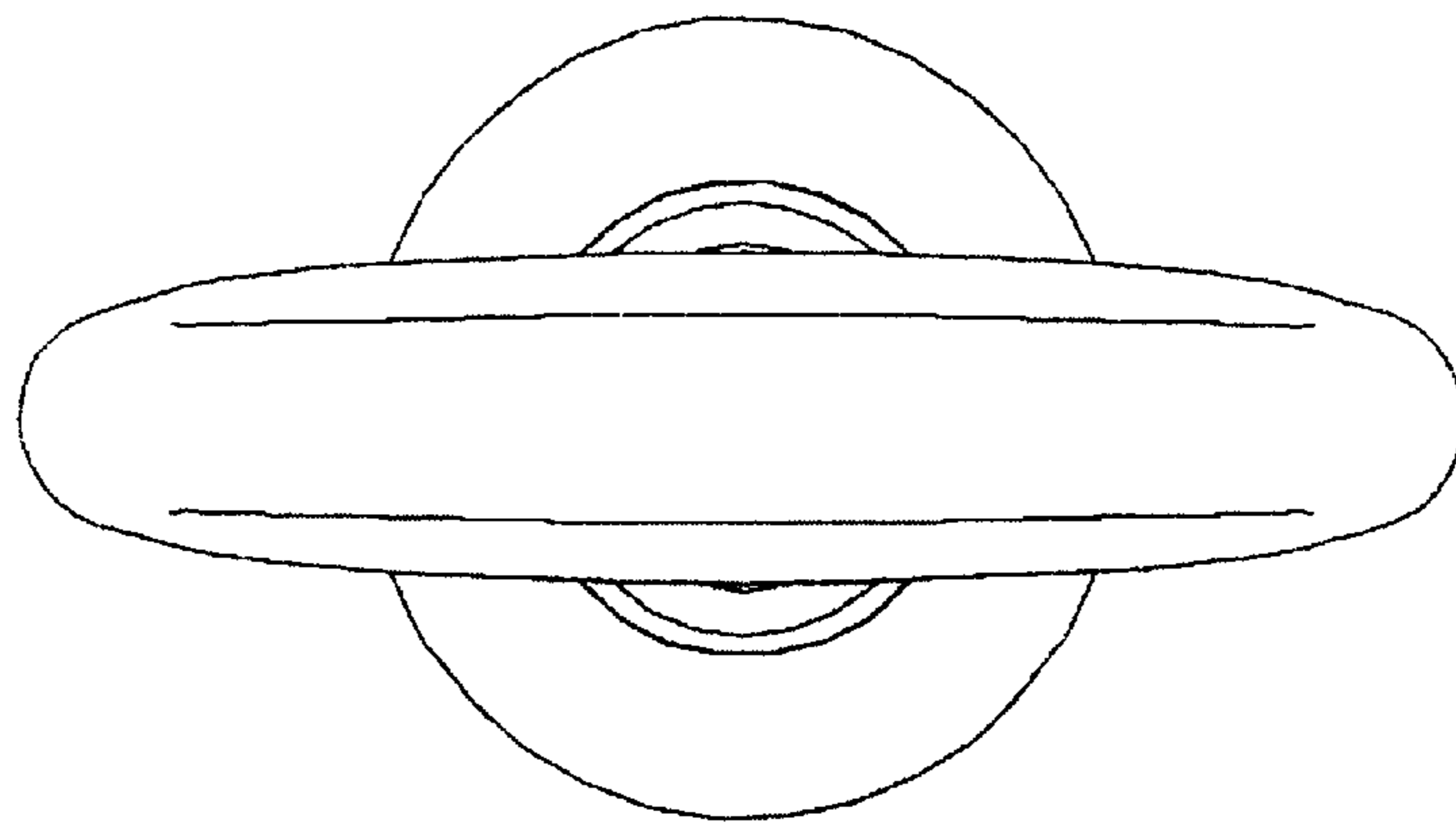


Fig 2

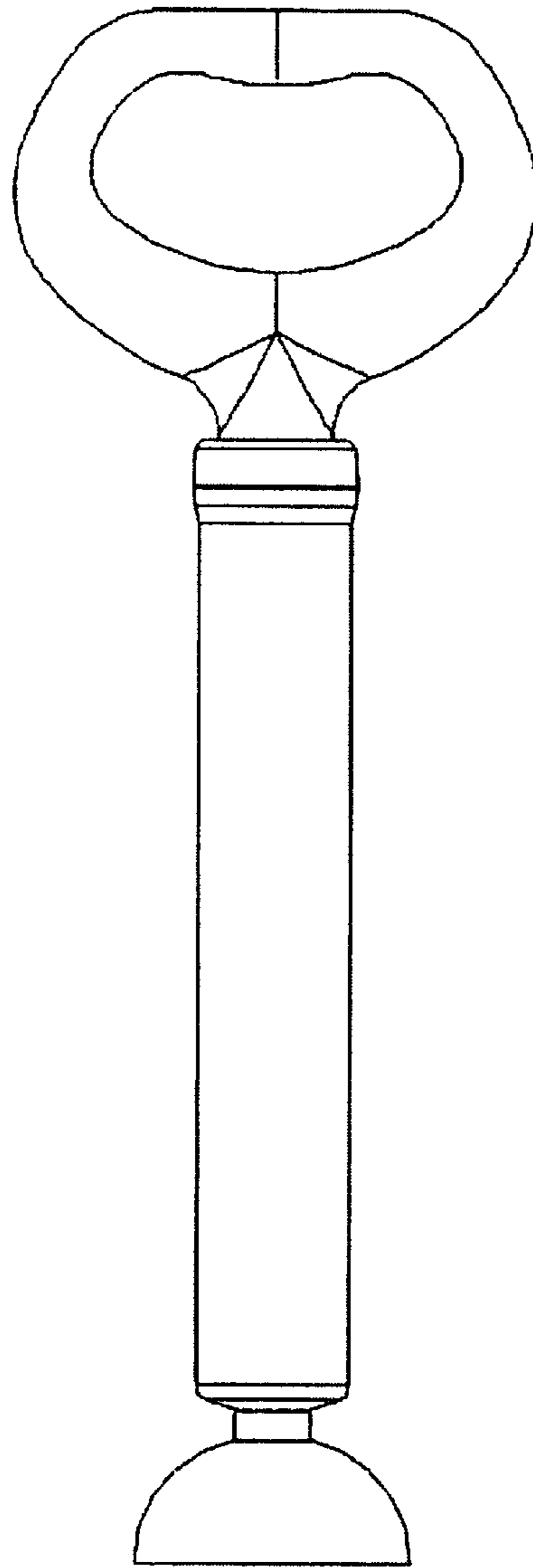


Fig 3

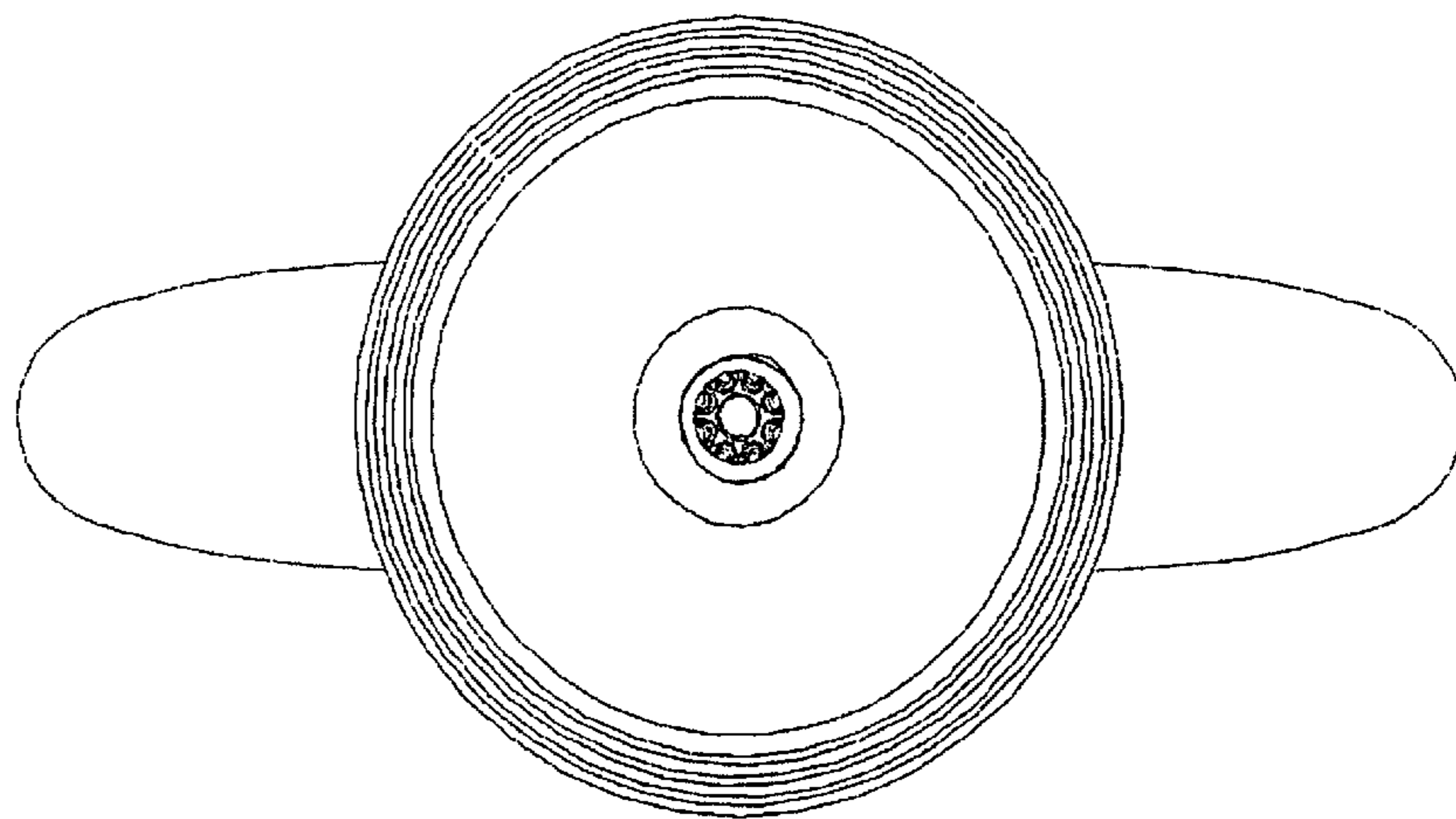


Fig 4

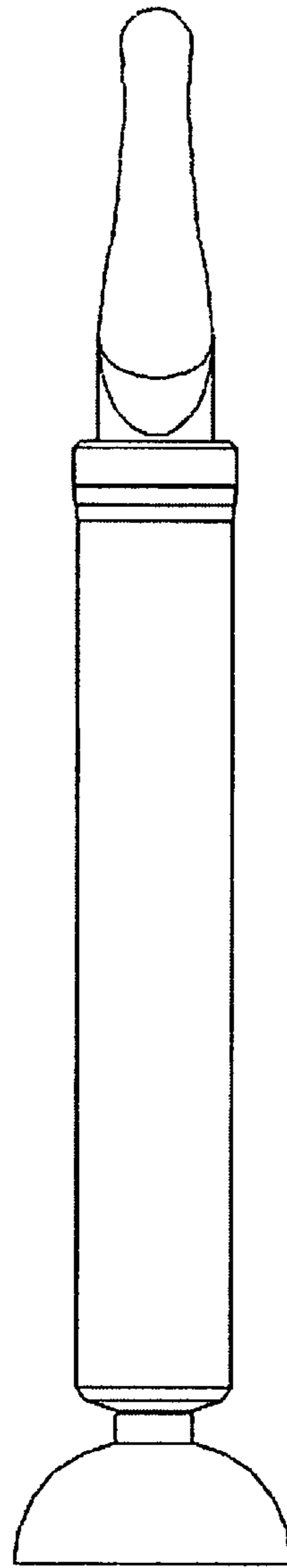


Fig 5

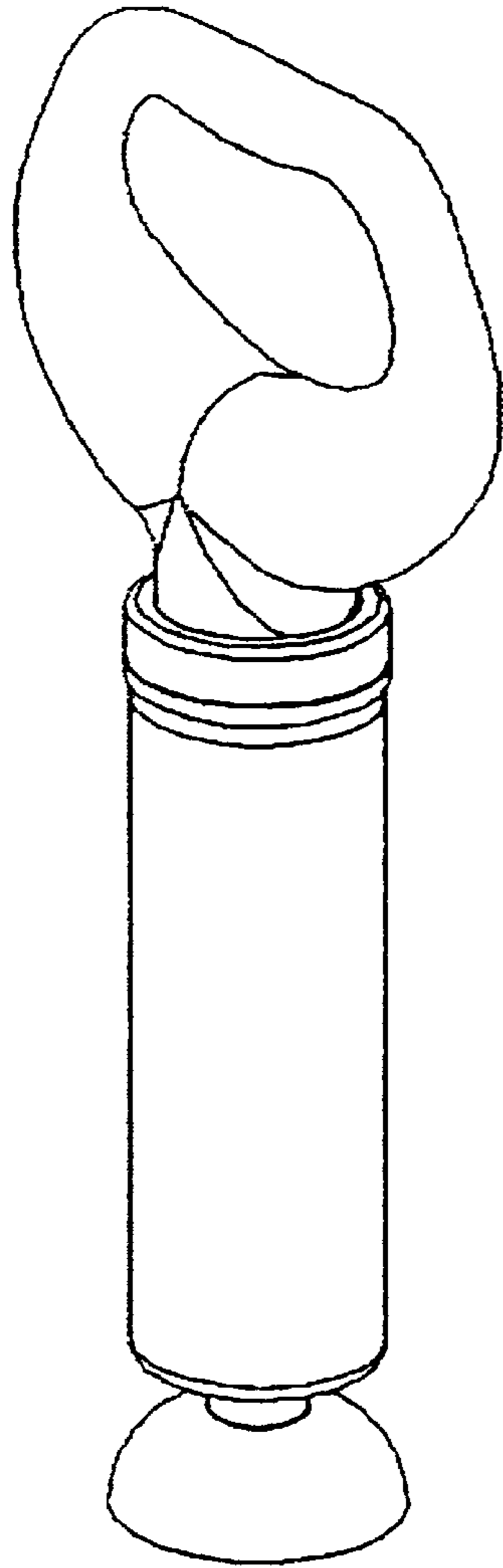


Fig. 6

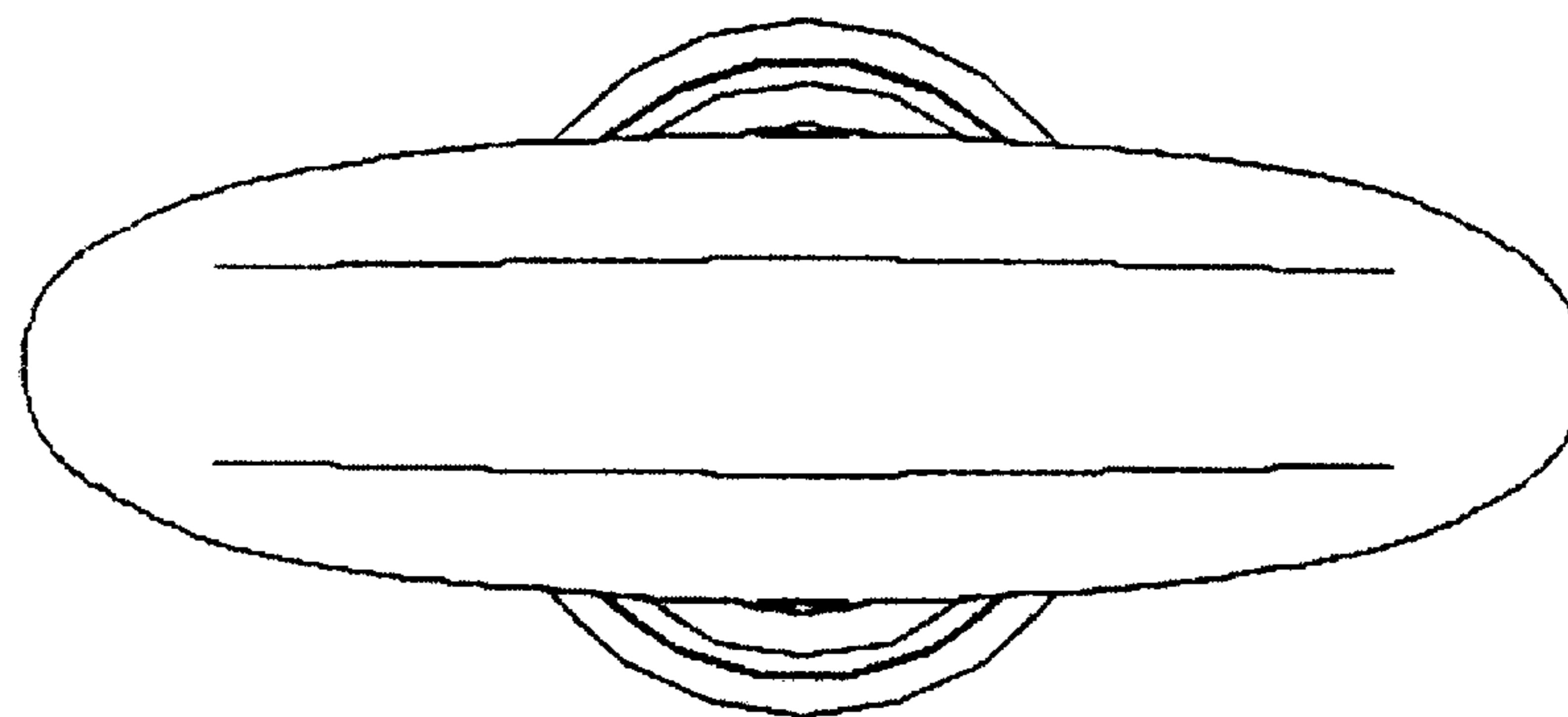


Fig 7

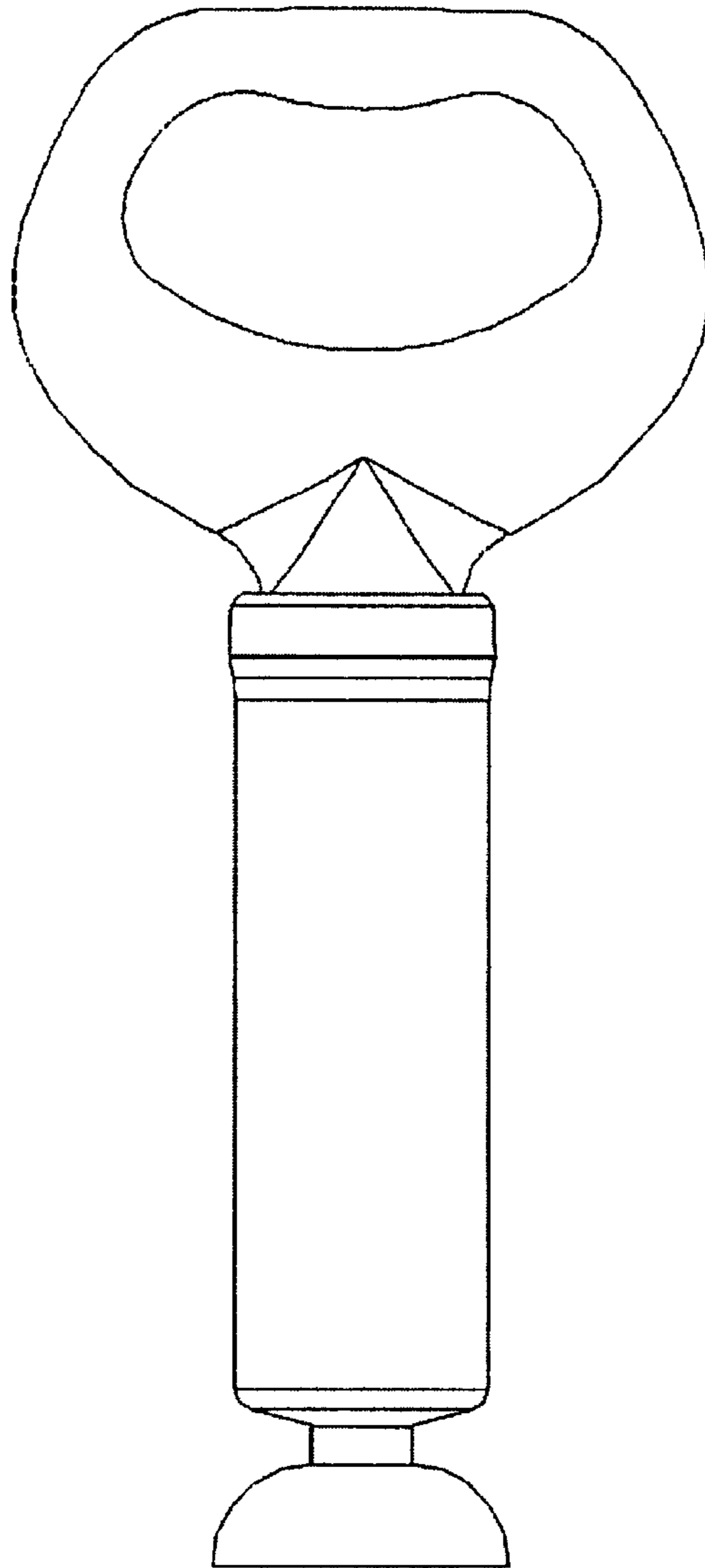


Fig 8

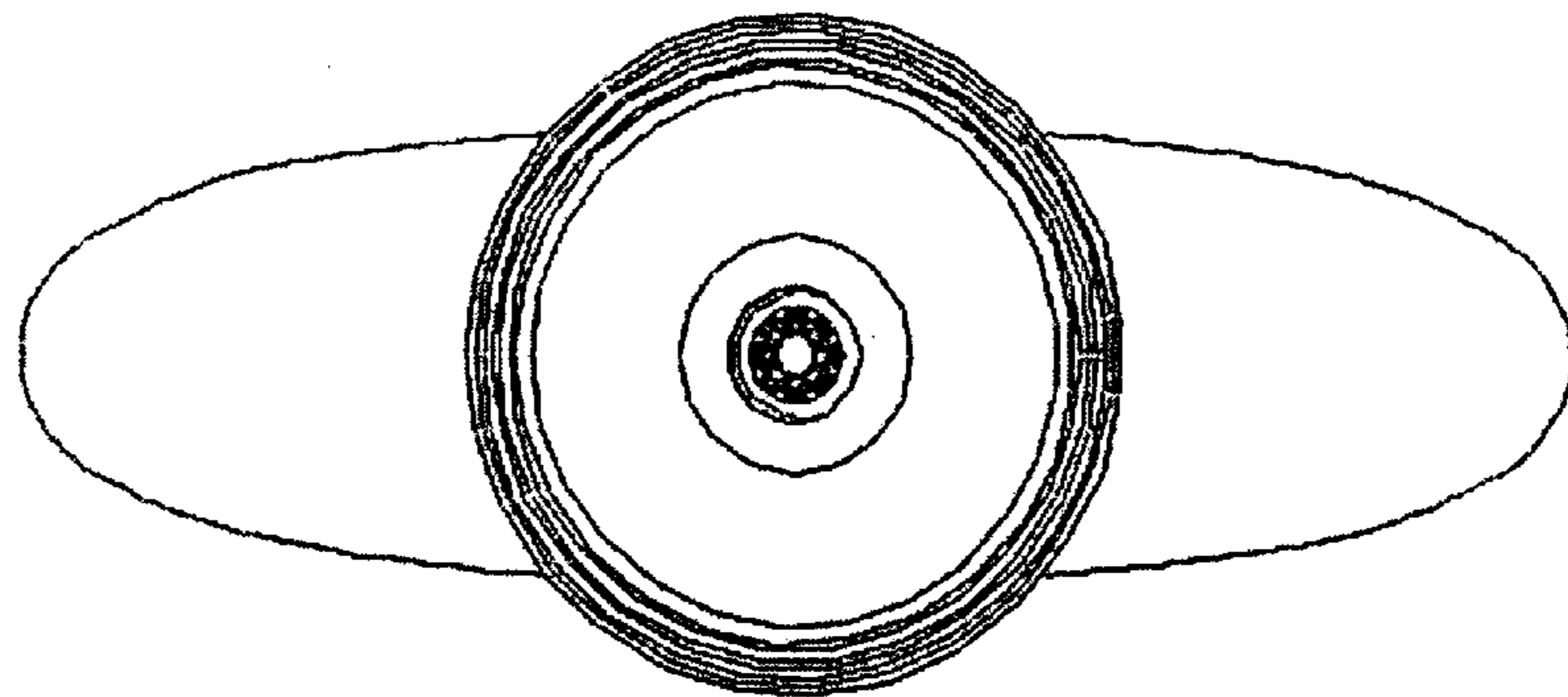


Fig 9

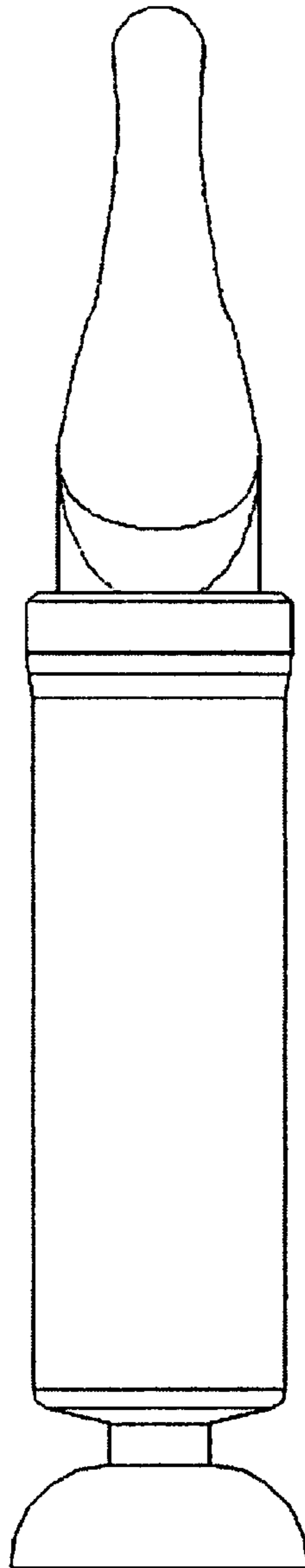


Fig 10