



US00D549534S

(12) **United States Design Patent**
Yin

(10) **Patent No.:** **US D549,534 S**

(45) **Date of Patent:** **** Aug. 28, 2007**

(54) **SOCKET ASSEMBLY TOOL**

6,976,410 B2 * 12/2005 Anderson et al. 81/128
7,140,280 B2 * 11/2006 Hawkins et al. 81/440

(76) Inventor: **Roger Yin**, 58, Ma Yuan West St.,
Taichung (TW)

* cited by examiner

(**) Term: **14 Years**

Primary Examiner—Raphael Barkai

Assistant Examiner—Randall H. Gholson

(21) Appl. No.: **29/266,755**

(74) *Attorney, Agent, or Firm*—Alan Kamrath; Kamrath &
Associates PA

(22) Filed: **Sep. 28, 2006**

(57) **CLAIM**

(51) **LOC (8) Cl.** **08-05**

The ornamental design for a socket assembly tool, as shown
and described.

(52) **U.S. Cl.** **D8/28**

(58) **Field of Classification Search** D8/17,
D8/21-29, 81-87, 102-107, 98-99, 55, 93,
D8/94; 81/60-63.2, 177.1, 177.85, 177.8,
81/489, 125.1, 121.1, 119-120, 176.1, 186,
81/177.9, 185.1, 176.2, 165, 170, 3.35, 58,
81/3.45, 155; 206/378; 16/429, 441, 124.6;
7/100, 138, 168, 157

DESCRIPTION

See application file for complete search history.

FIG. 1 is a perspective view of a socket assembly tool
showing my design;

FIG. 2 is a front elevational view thereof;

FIG. 3 is a rear elevational view thereof;

FIG. 4 is a left side elevational view thereof;

FIG. 5 is a right side elevational view thereof;

FIG. 6 is a top plan view thereof; and,

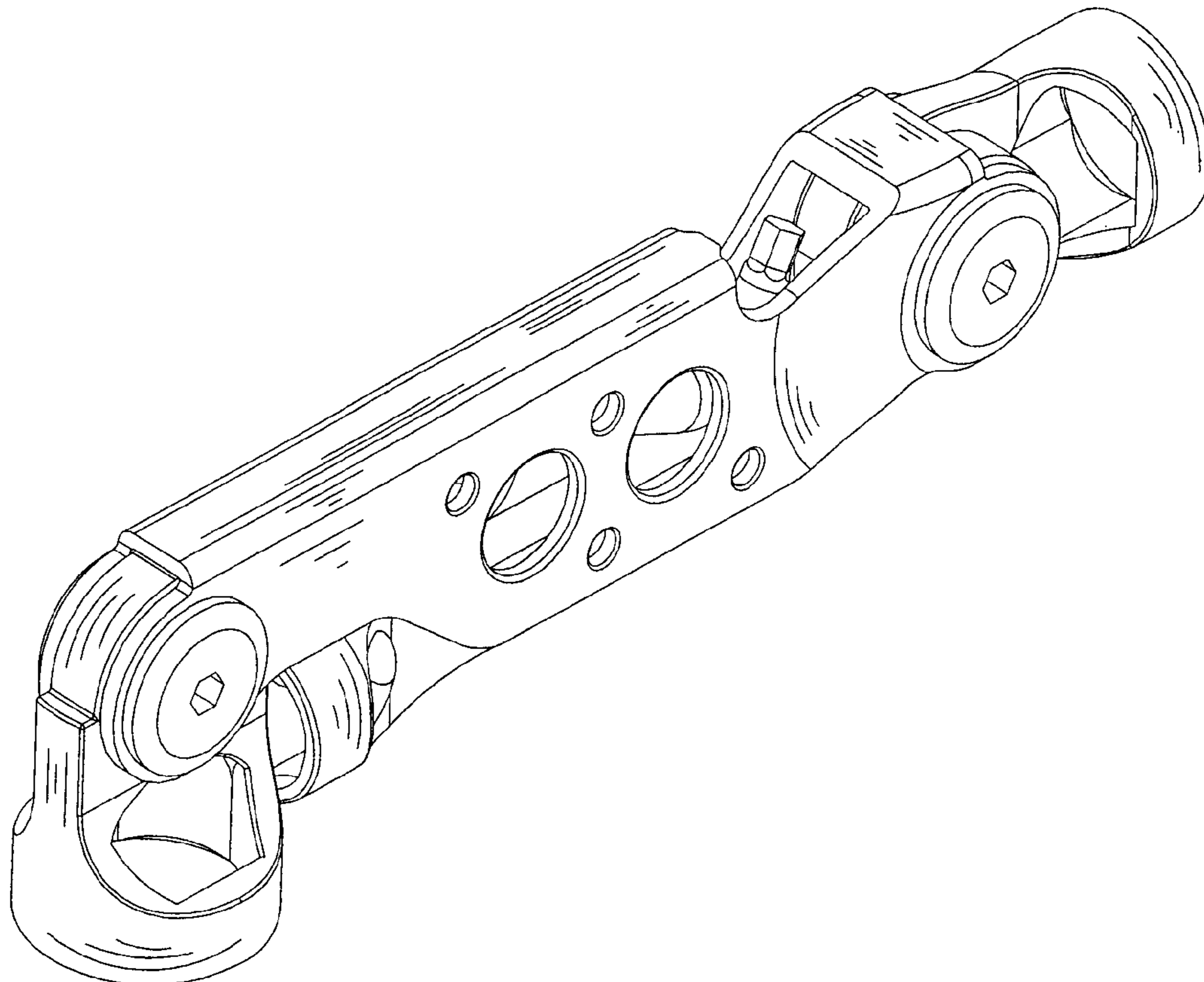
FIG. 7 is a bottom plan view thereof.

(56) **References Cited**

U.S. PATENT DOCUMENTS

D427,875 S * 7/2000 Chiu D8/105
6,622,329 B2 * 9/2003 Ostor et al. 7/138
6,640,675 B1 * 11/2003 Chuang 81/490

1 Claim, 7 Drawing Sheets



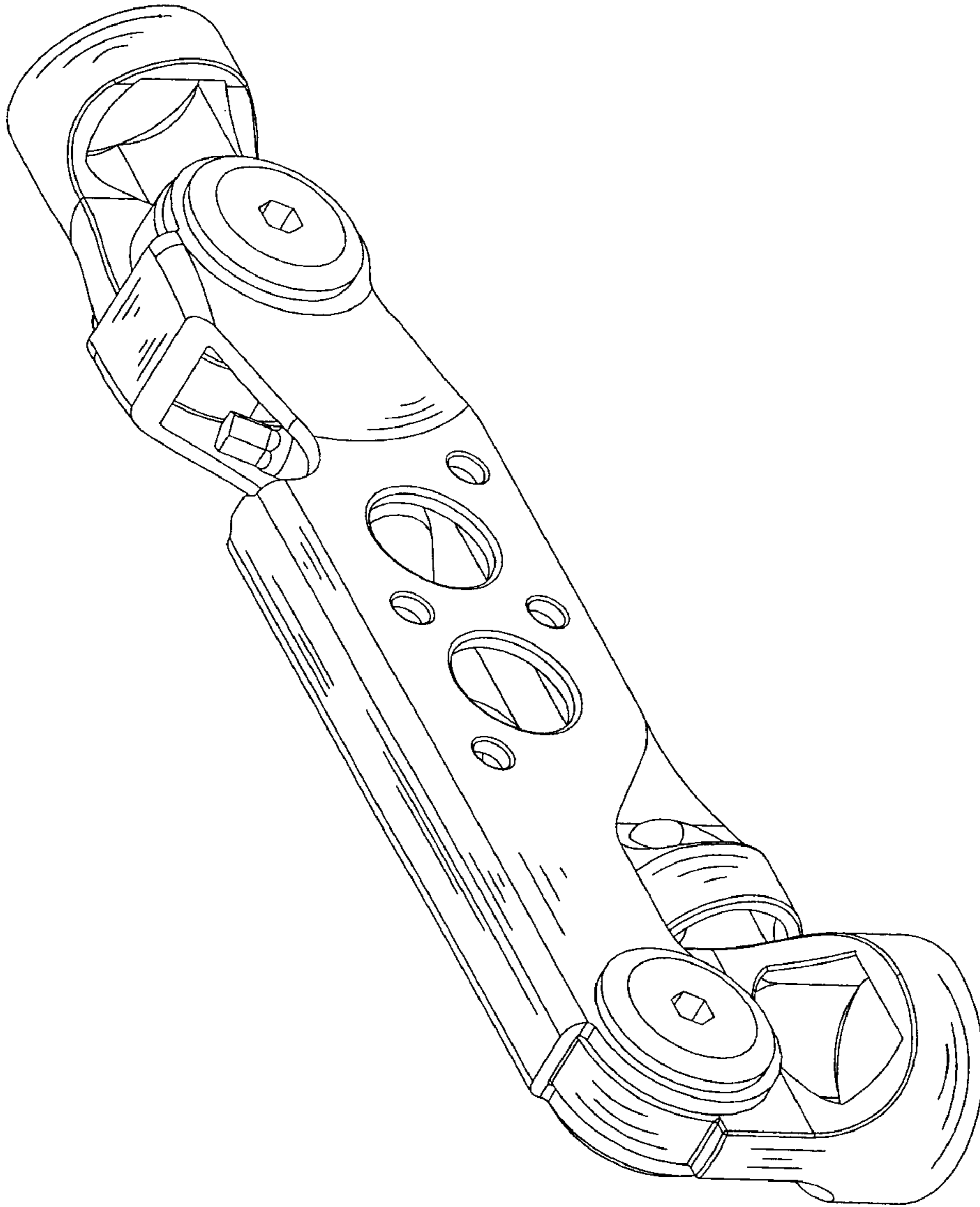


FIG. 1

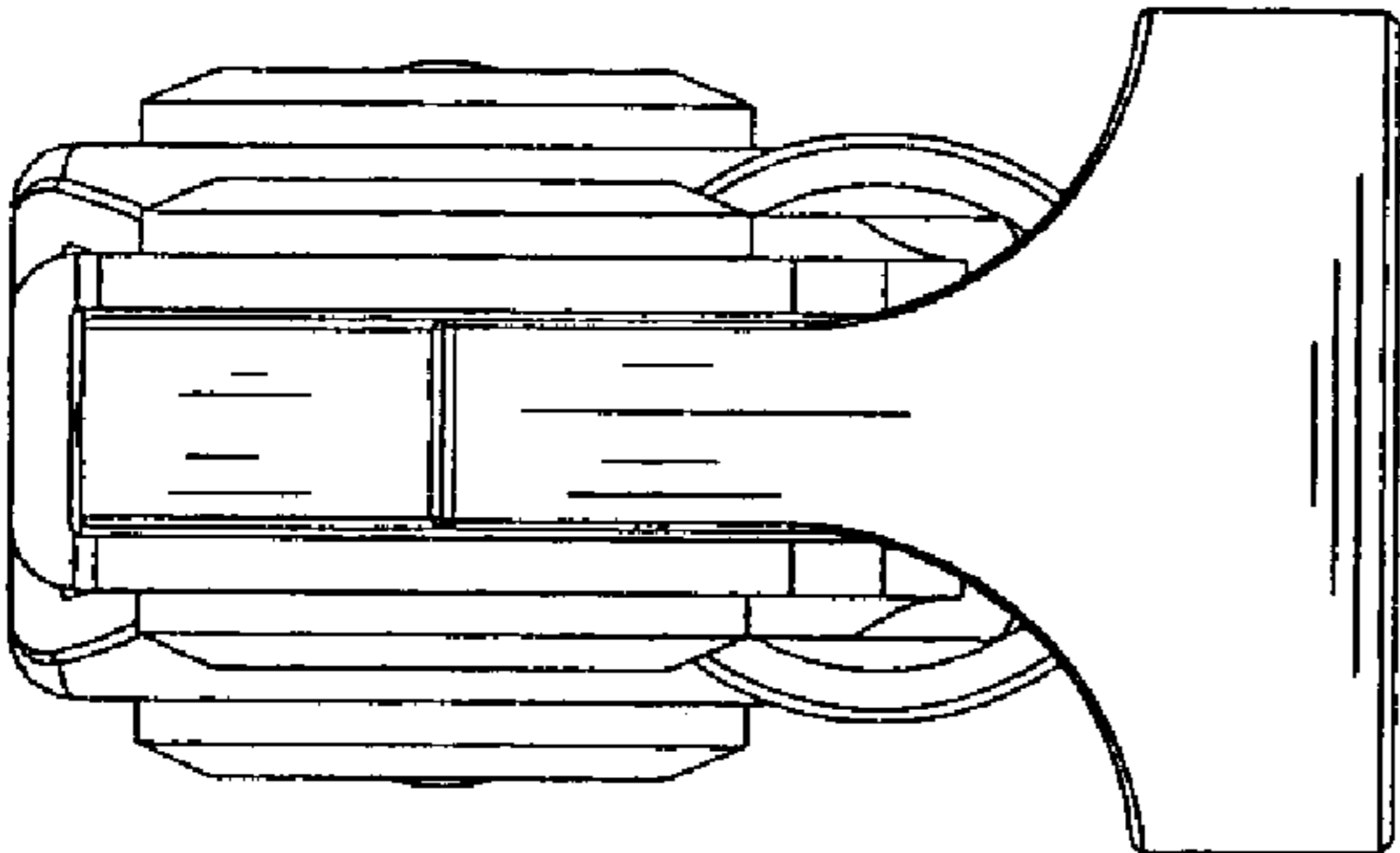


FIG. 2

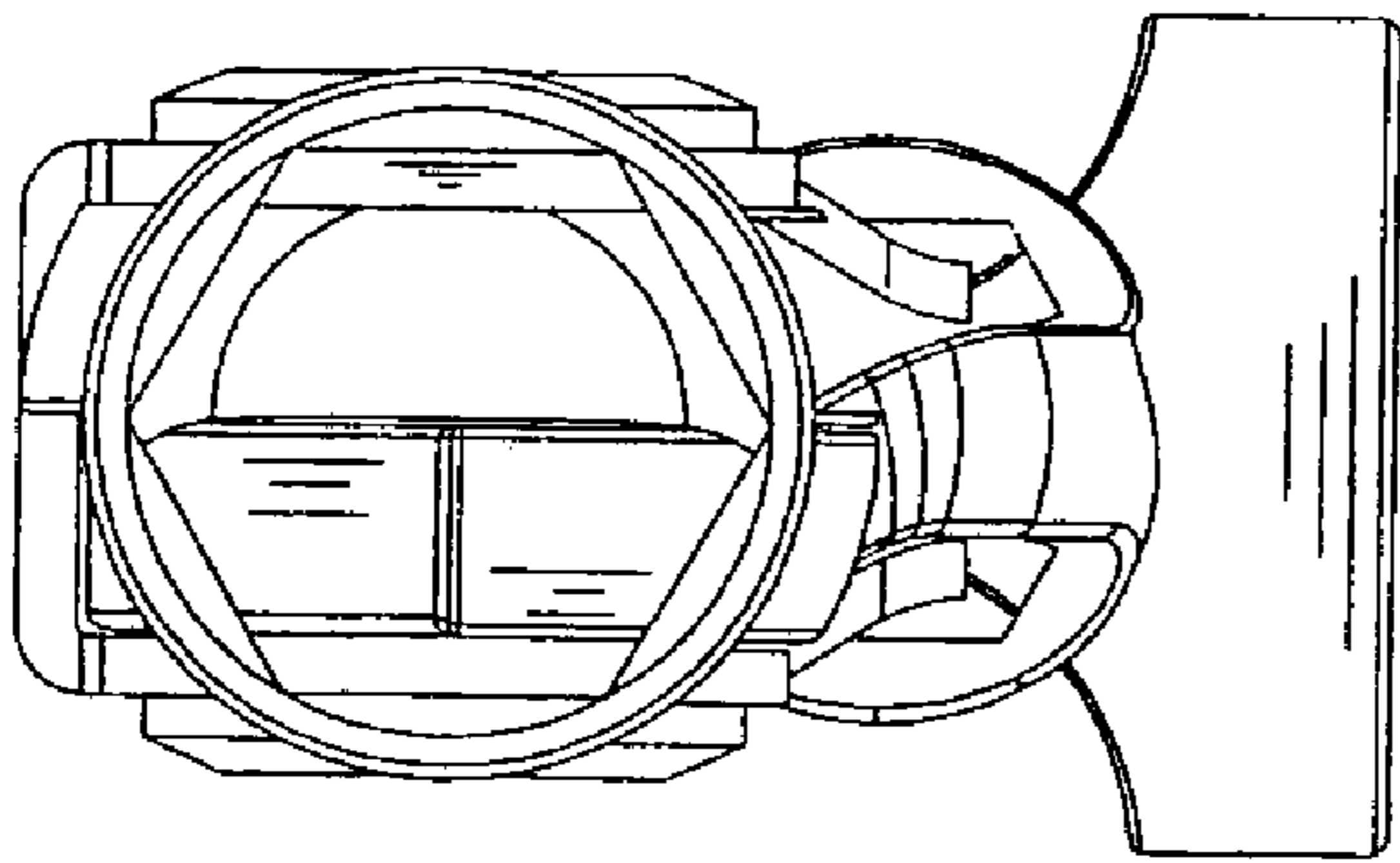


FIG. 3

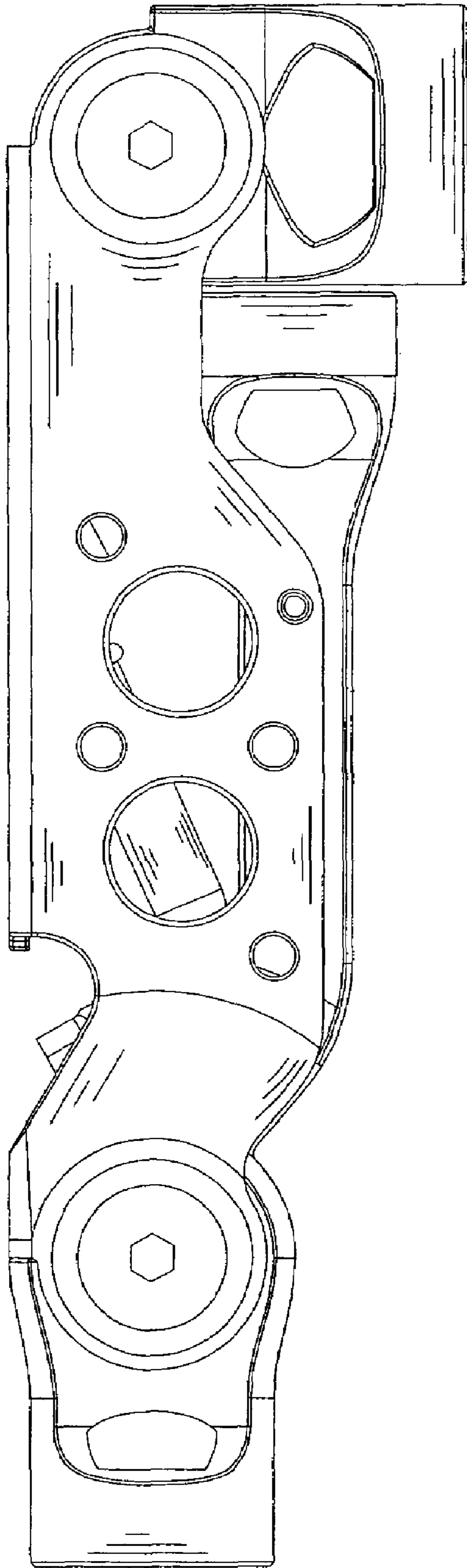


FIG. 4

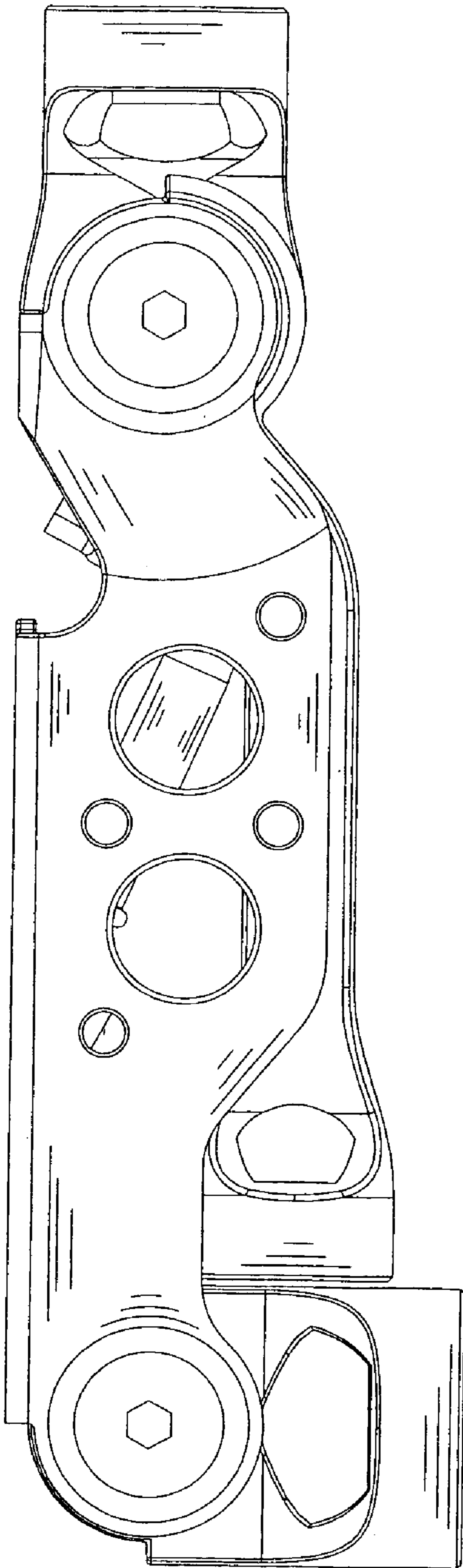


FIG. 5

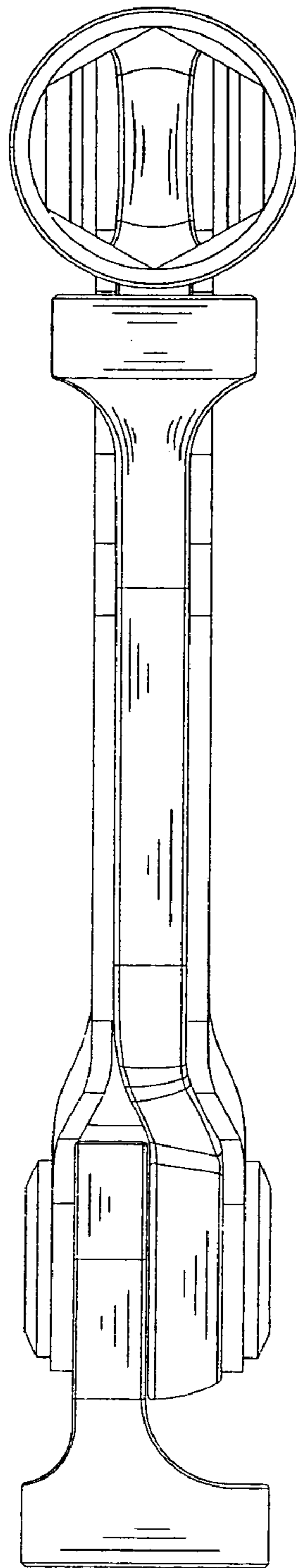


FIG. 6

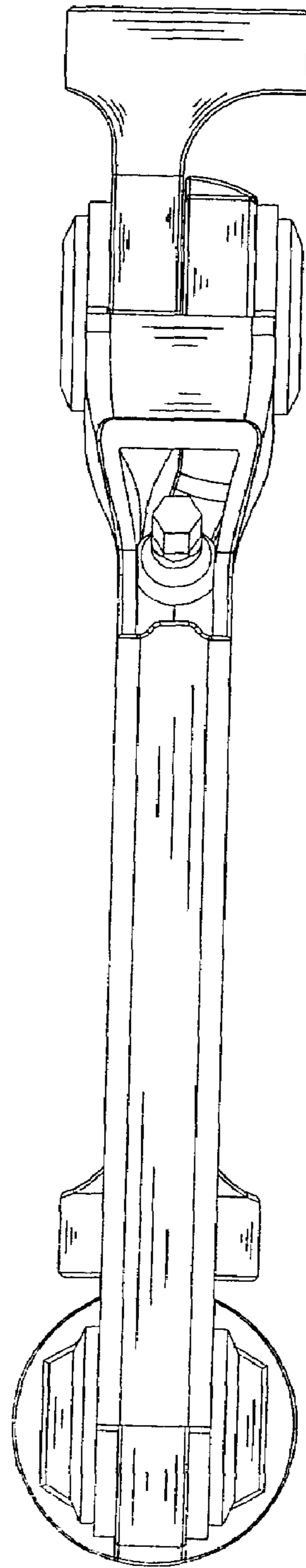


FIG. 7