



US00D549531S

(12) **United States Design Patent** (10) **Patent No.:** **US D549,531 S**
Kishbaugh et al. (45) **Date of Patent:** **** Aug. 28, 2007**

(54) **FOOD PREPARATION BOARD** 6,889,969 B2 * 5/2005 Diermeier et al. 269/289 R

(75) Inventors: **Ronald G. Kishbaugh**, Elmira, NY (US); **Letesa Isler**, Waukegan, IL (US); **Richard Watson**, Norwell, MA (US); **Rebecca Taylor**, Providence, RI (US)

(Continued)

FOREIGN PATENT DOCUMENTS

JP 09-056608 3/1997
JP 10-276918 10/1998

(73) Assignee: **WKI Holding Company, Inc.**, Rosemont, IL (US)

OTHER PUBLICATIONS

Opaque Glass Pyrex Cutting Board Remove Rubber Feet NIP□□ Dec. 11, 2006□□http://cgi.ebay.com/Opaque-Glass-Pyrex-Cutting-Board-Remove-Rubber-Feet-NIP_WOQQitemZ17004708847QQihZ007QQcategoryZ4682QQrdZ1QQssPageNameZWD1VQQcmdZViewItem□□.*

(**) Term: **14 Years**

(Continued)

(21) Appl. No.: **29/220,251**

(22) Filed: **Dec. 28, 2004**

(51) **LOC (8) Cl.** **07-04**

Primary Examiner—Cathron C. Brooks

(52) **U.S. Cl.** **D7/698**

Assistant Examiner—Kelley A. Donnelly

(58) **Field of Classification Search** D7/698, D7/699, 408–409, 500, 550.1, 354–361, 396.1, D7/552.2, 554.3, 387–388; D32/57; 99/446, 99/450, 422; 211/85.4; D30/161; 269/307, 269/302.1, 329, 289 R

(74) *Attorney, Agent, or Firm*—McDermott Will & Emery LLP

See application file for complete search history.

(57) **CLAIM**

We claim the ornamental design for a food preparation board, as shown and described.

(56) **References Cited**

DESCRIPTION

U.S. PATENT DOCUMENTS

D160,480	S	*	10/1950	Crook	D7/551.2
D227,642	S	*	7/1973	Daenen	D7/699
3,792,809	A	*	2/1974	Schneider et al.	229/406
D246,751	S	*	12/1977	Yonkers	D7/409
4,100,676	A		7/1978	Ferguson		
4,116,426	A	*	9/1978	Kessler	269/307
D264,166	S	*	5/1982	LeVan	D7/505
D264,419	S	*	5/1982	Dorman et al.	D7/698
D289,095	S	*	3/1987	Chiodo et al.	D30/161
D309,234	S	*	7/1990	Howell	D7/409
5,386,654	A		2/1995	Kroenke		
5,860,641	A		1/1999	Heath		
D434,606	S	*	12/2000	Reames et al.	D7/552.1
D435,064	S	*	12/2000	Nicholson	D19/37
D473,098	S	*	4/2003	Wingeier	D7/359
6,564,685	B1	*	5/2003	Beaton	83/609
6,695,299	B1	*	2/2004	Brotz	269/289 R
6,715,748	B2		4/2004	Thompson et al.		

FIG. 1 is a perspective view of a food preparation board according to the new design;

FIG. 2 is a top view of the food preparation board shown in FIG. 1;

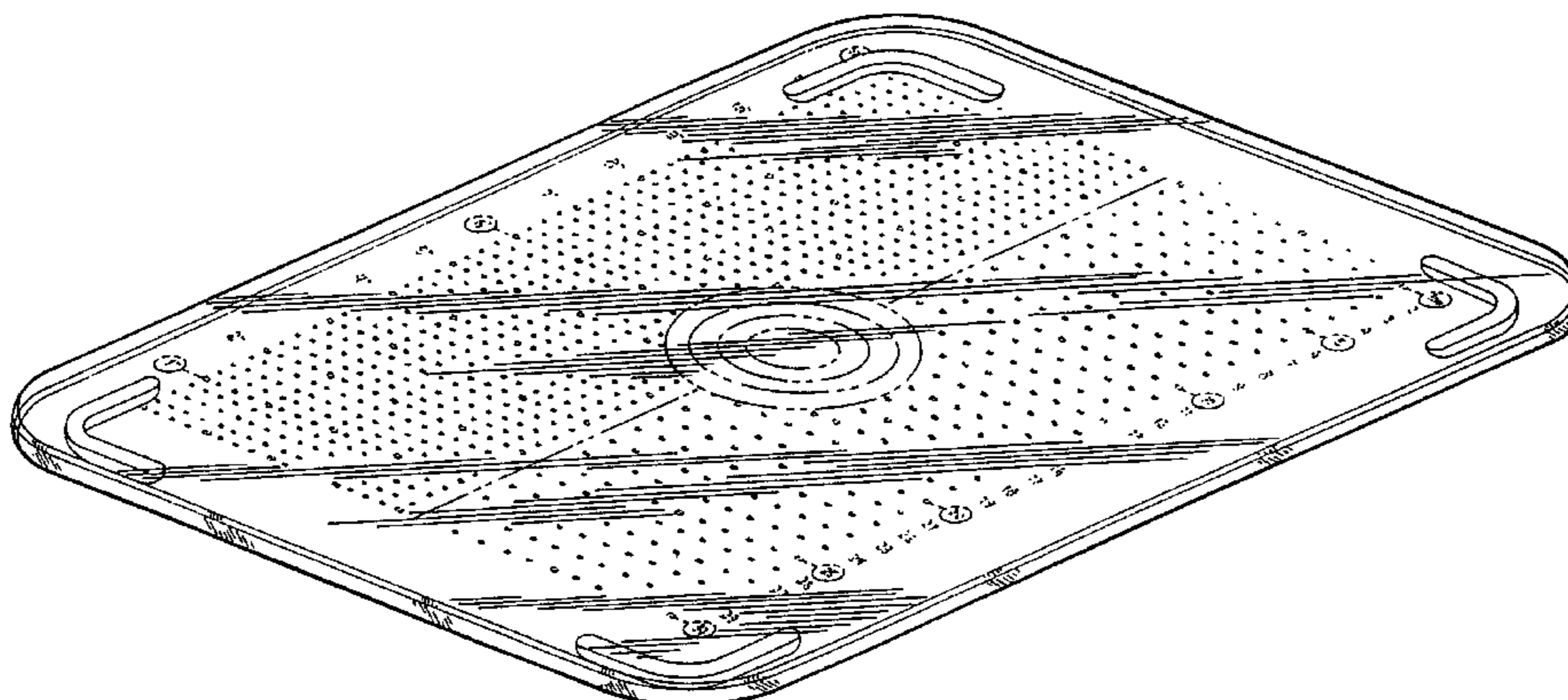
FIG. 3 is a front view of the food preparation board shown in FIG. 1, the rear view being identical thereto;

FIG. 4 is a side view of one side of the food preparation board shown in FIG. 1, the other side being identical thereto; and,

FIG. 5 is a bottom view of the food preparation board shown in FIG. 1.

All of the features in the center of the food preparation board, excluding the four feet, are shown in broken lines and form no part of the claimed design.

1 Claim, 3 Drawing Sheets



US D549,531 S

Page 2

U.S. PATENT DOCUMENTS

D514,874 S * 2/2006 Eckley et al. D7/356
D517,759 S * 3/2006 Dretzka D32/57
7,077,392 B2 * 7/2006 Siegel et al. 269/302.1
D528,858 S * 9/2006 Swope D7/396.1
7,125,011 B2 * 10/2006 McLaughlin 269/289 R
D532,655 S * 11/2006 Elwell et al. D7/409
2002/0185013 A1 * 12/2002 London 99/450
2003/0067105 A1 * 4/2003 Chen 269/289 R
2005/0206060 A1 * 9/2005 Siegel et al. 269/289 R

2006/0194456 A1* 8/2006 Cawley et al. 439/74

OTHER PUBLICATIONS

Bemis Manufacturing Corporation Aug. 15, 1995 Cutting Boards:
Ser. No's 8504 (Pastry Board) No. 8512 (Chopping Block), and No.
8525 (Turkey Board).
W. Bell Catalog 1982 Knife Blocks, Chopping Blocks, Carving
Boards.*

* cited by examiner

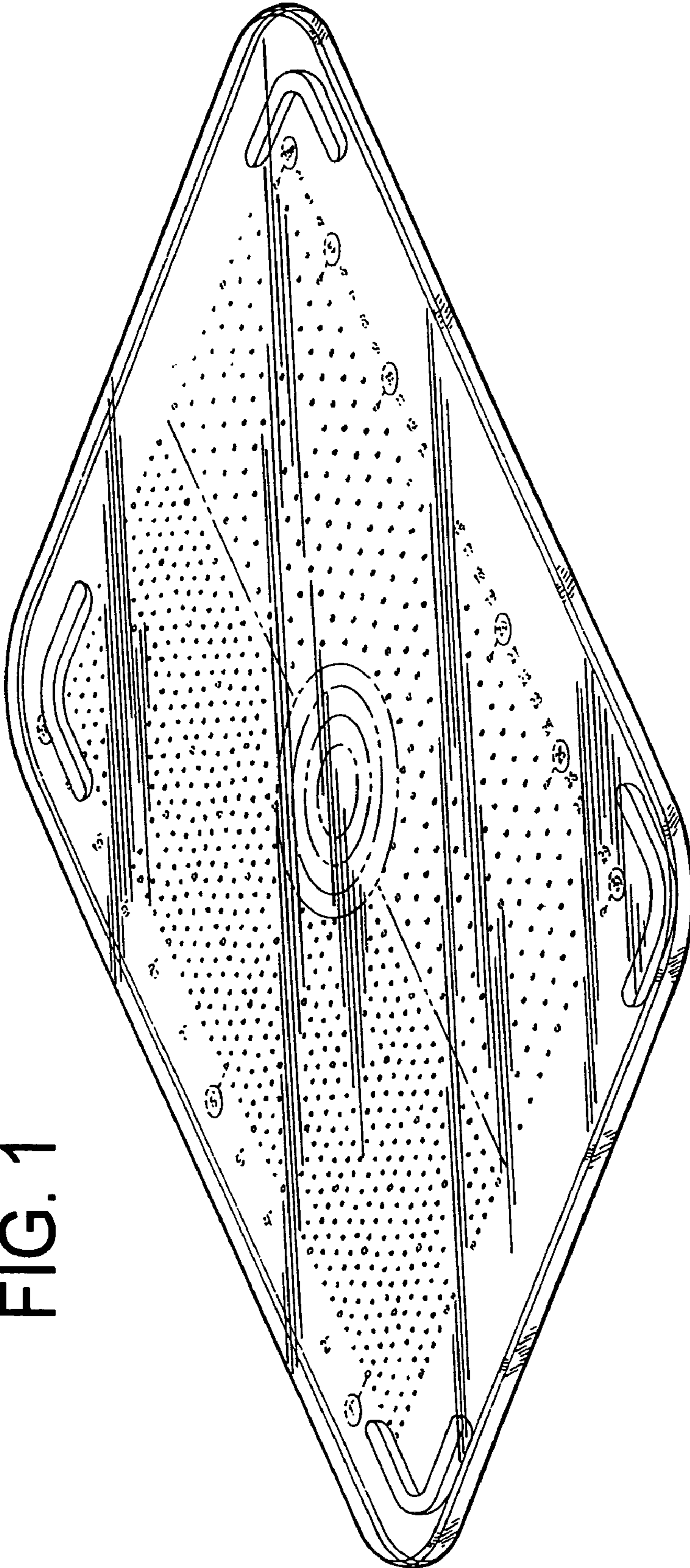


FIG. 1

FIG. 2

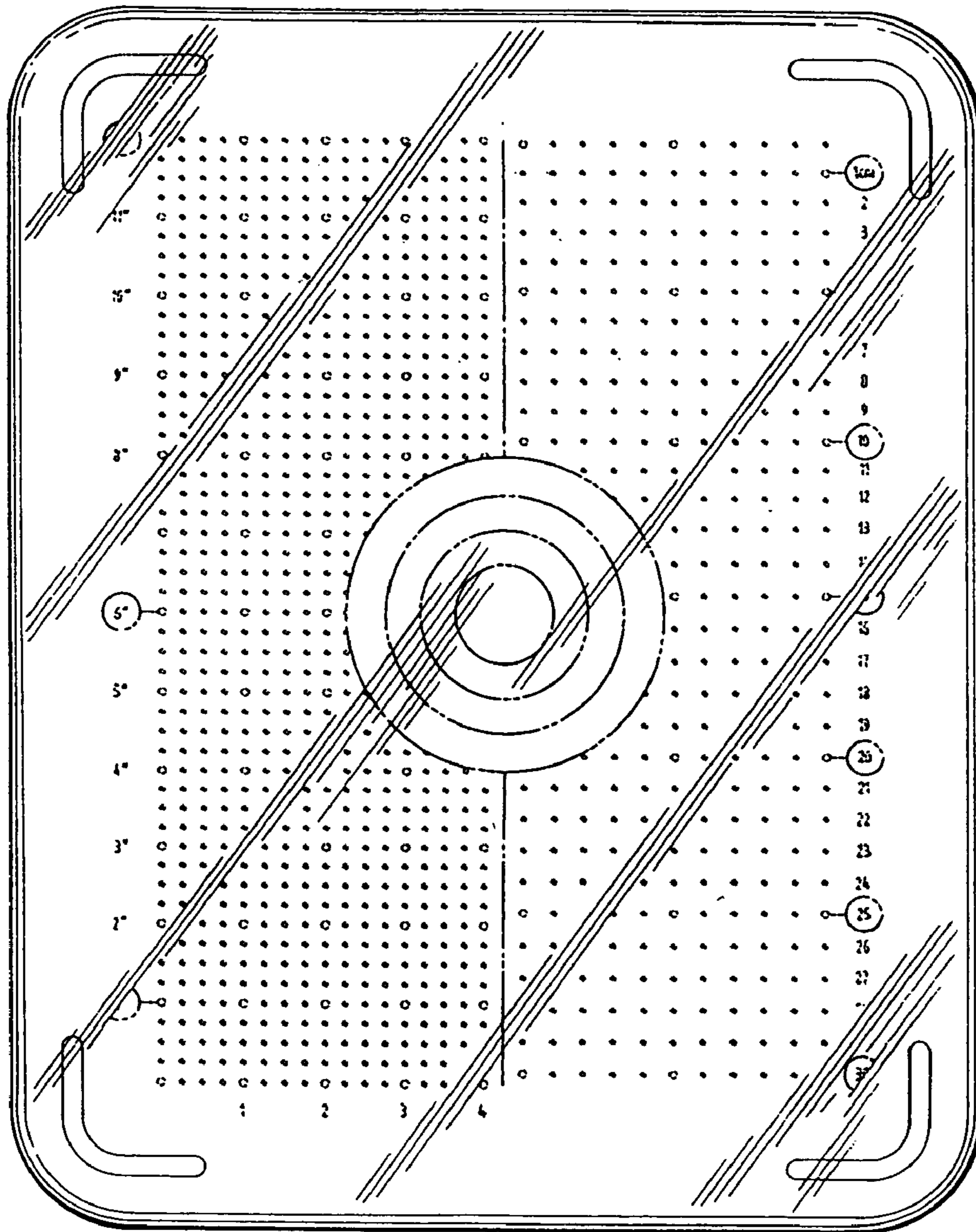


FIG. 3

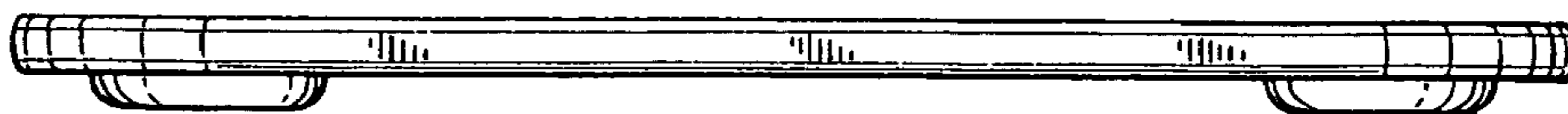


FIG. 4



FIG. 5

