



US00D549529S

(12) **United States Design Patent** (10) **Patent No.:** **US D549,529 S**
Risch et al. (45) **Date of Patent:** **** Aug. 28, 2007**

(54) **FOOD SERVING UTENSIL**
(75) Inventors: **Thomas M. Risch**, Weston, CT (US);
Bryan Bourgeois, Underhill, VT (US)
(73) Assignee: **Liquid Motion, Inc.**, Bethel, CT (US)
(**) Term: **14 Years**
(21) Appl. No.: **29/275,172**
(22) Filed: **Dec. 15, 2006**

(51) **LOC (8) Cl.** **07-06**
(52) **U.S. Cl.** **D7/685; D1/104**
(58) **Field of Classification Search** D7/683-686,
D7/689, 625, 566, 567, 571, 573, 578; D1/104,
D1/111; 294/1.1, 1.3, 16, 25, 99.1, 99.2,
294/118, 119; 452/103, 185, 196
See application file for complete search history.

(56) **References Cited**

U.S. PATENT DOCUMENTS

567,087 A	9/1896	Fitzgerald et al.	
941,798 A	11/1909	Moore	
1,333,941 A	3/1920	Silver	
D85,796 S	12/1931	Wells	
D117,712 S *	11/1939	Guild	D7/567
D119,040 S *	2/1940	Hoffman	D1/111
2,244,072 A	6/1941	Ledbetter	
D141,461 S	6/1945	Wyszynski	
2,444,116 A	6/1948	Rossi	
2,518,873 A *	8/1950	Eisenberg et al.	15/143.1
2,881,022 A	4/1959	Brust	
3,181,198 A	5/1965	Stelzen	
3,975,043 A	8/1976	Miles	
4,148,510 A	4/1979	Brack et al.	
4,183,439 A	1/1980	Bell	
4,586,616 A	5/1986	Cooper et al.	
4,682,803 A	7/1987	Andrews	
5,105,963 A	4/1992	Scott	
D368,630 S *	4/1996	Geise	D7/686

D369,451 S *	5/1996	Gornet et al.	D1/111
5,895,018 A	4/1999	Rielo	
6,726,263 B2	6/2004	Wang et al.	
6,742,821 B2	6/2004	Kleinpell	
D509,413 S *	9/2005	Marsden et al.	D7/686
2005/0183579 A1	8/2005	Bowers	
2005/0236853 A1	10/2005	Demetroulakos et al.	

FOREIGN PATENT DOCUMENTS

WO WO 00/30508 6/2000

* cited by examiner

Primary Examiner—Terry A. Wallace

(74) Attorney, Agent, or Firm—Gordon & Jacobson, PC

(57) **CLAIM**

The ornamental design for a food serving utensil, as shown and described.

DESCRIPTION

FIG. 1 is a top perspective view of a food serving utensil in a locked position;

FIG. 2 is a top view of a food serving utensil in a locked position;

FIG. 3 is a front view of a food serving utensil in a locked position;

FIG. 4 is a side view of a food serving utensil in a locked position; and

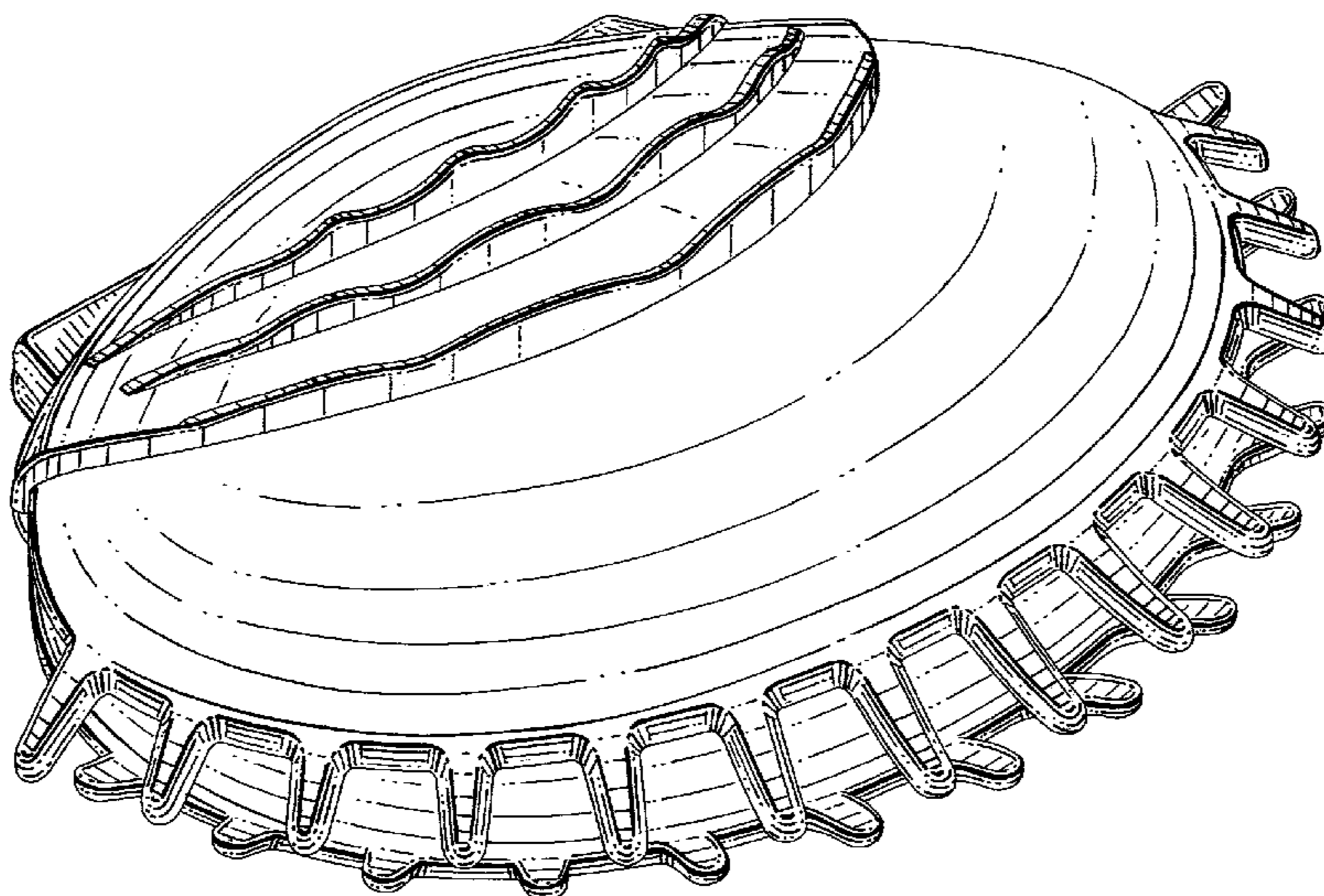
FIG. 5 is a rear view of a food serving utensil in a locked position;

FIG. 6 is a top perspective view of a food serving utensil in a closed position; and,

FIG. 7 is a perspective view of a food serving utensil in an open position.

The broken lines which define the bounds of the claimed design form no part thereof.

1 Claim, 5 Drawing Sheets



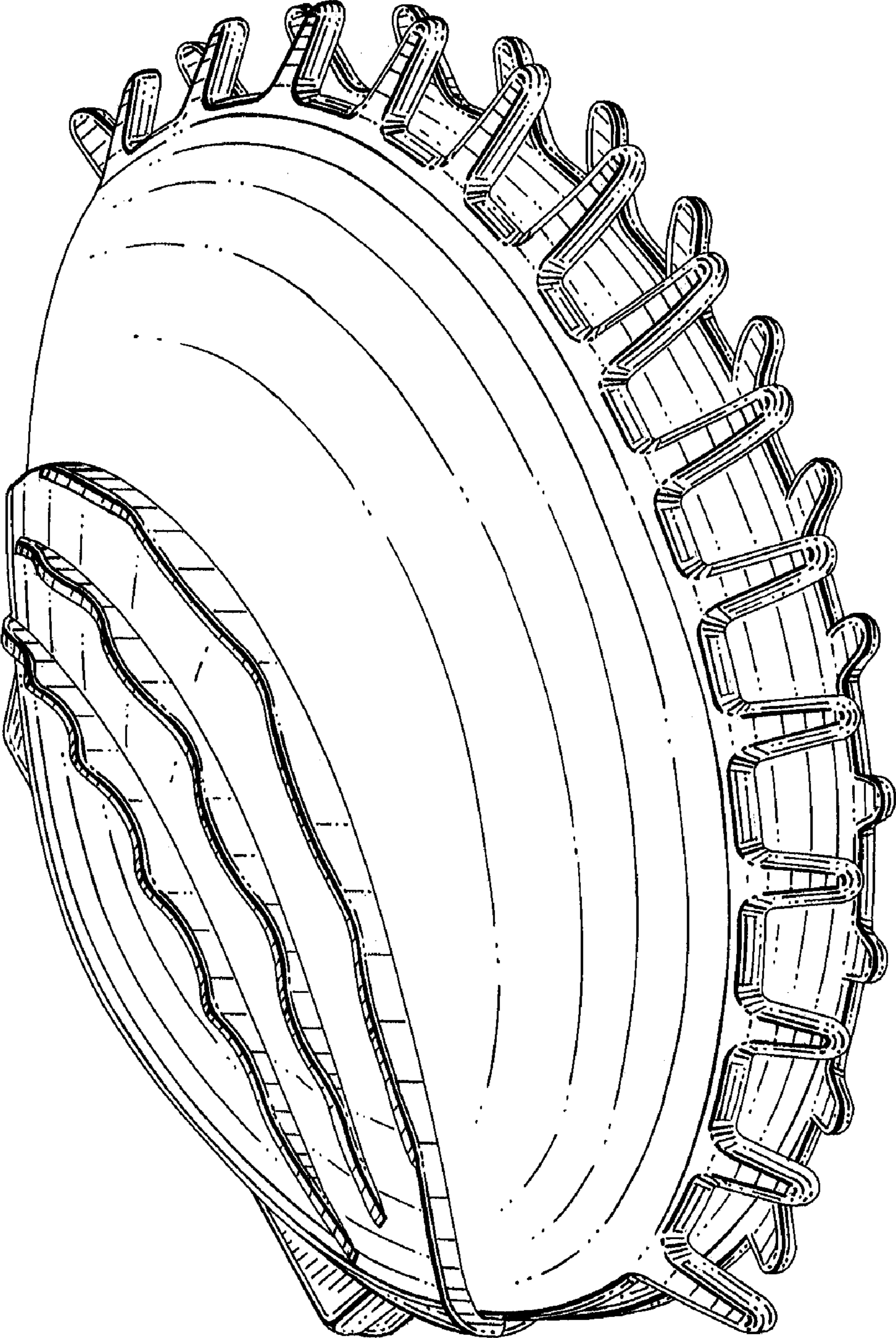


FIG. 1

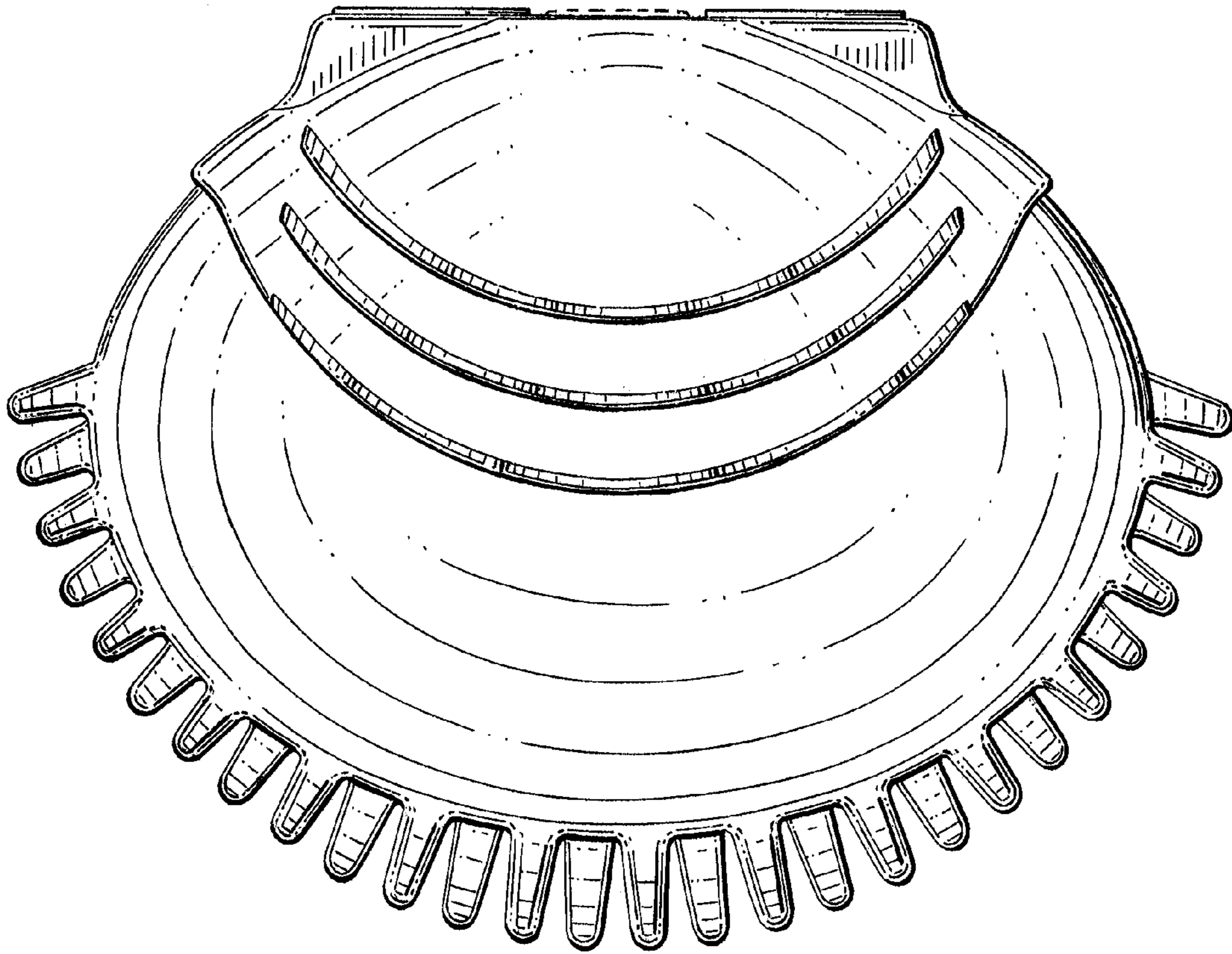


FIG. 2

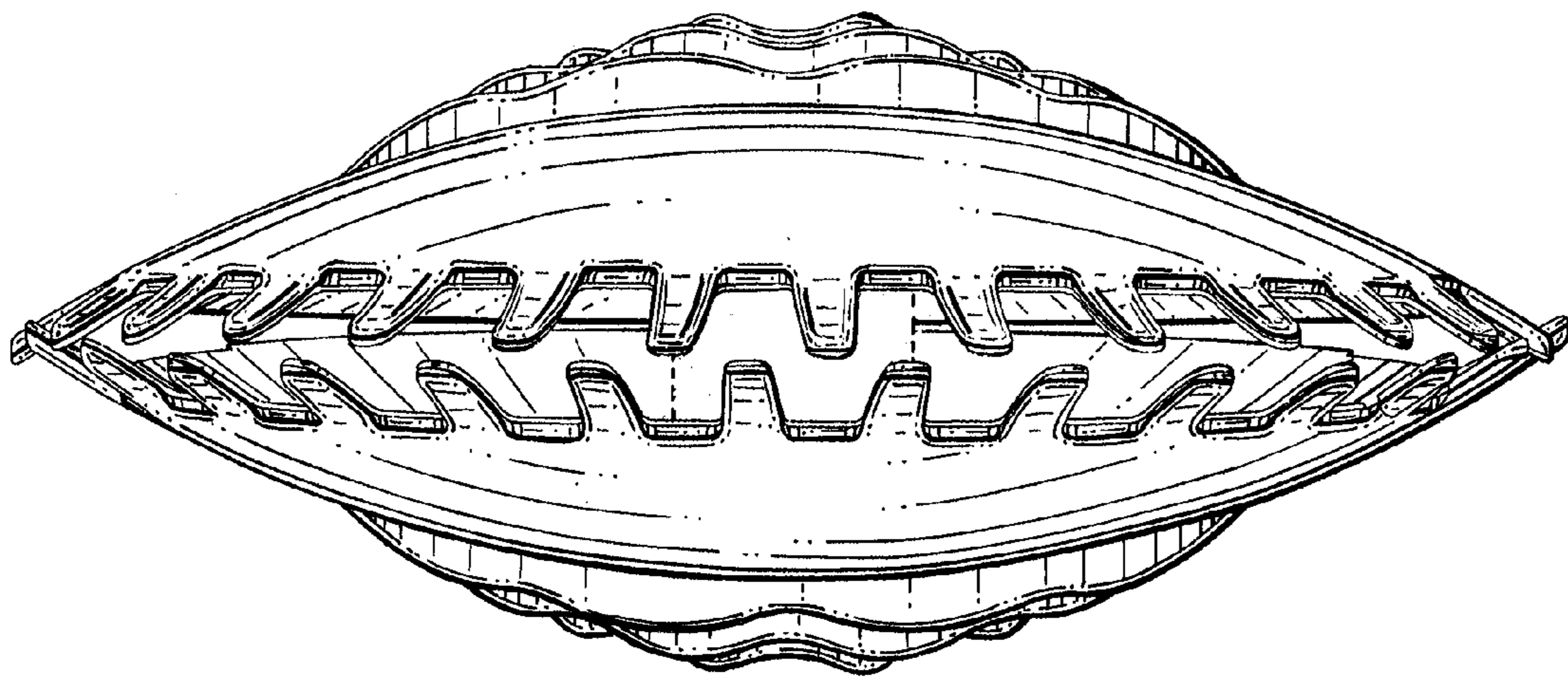


FIG. 3

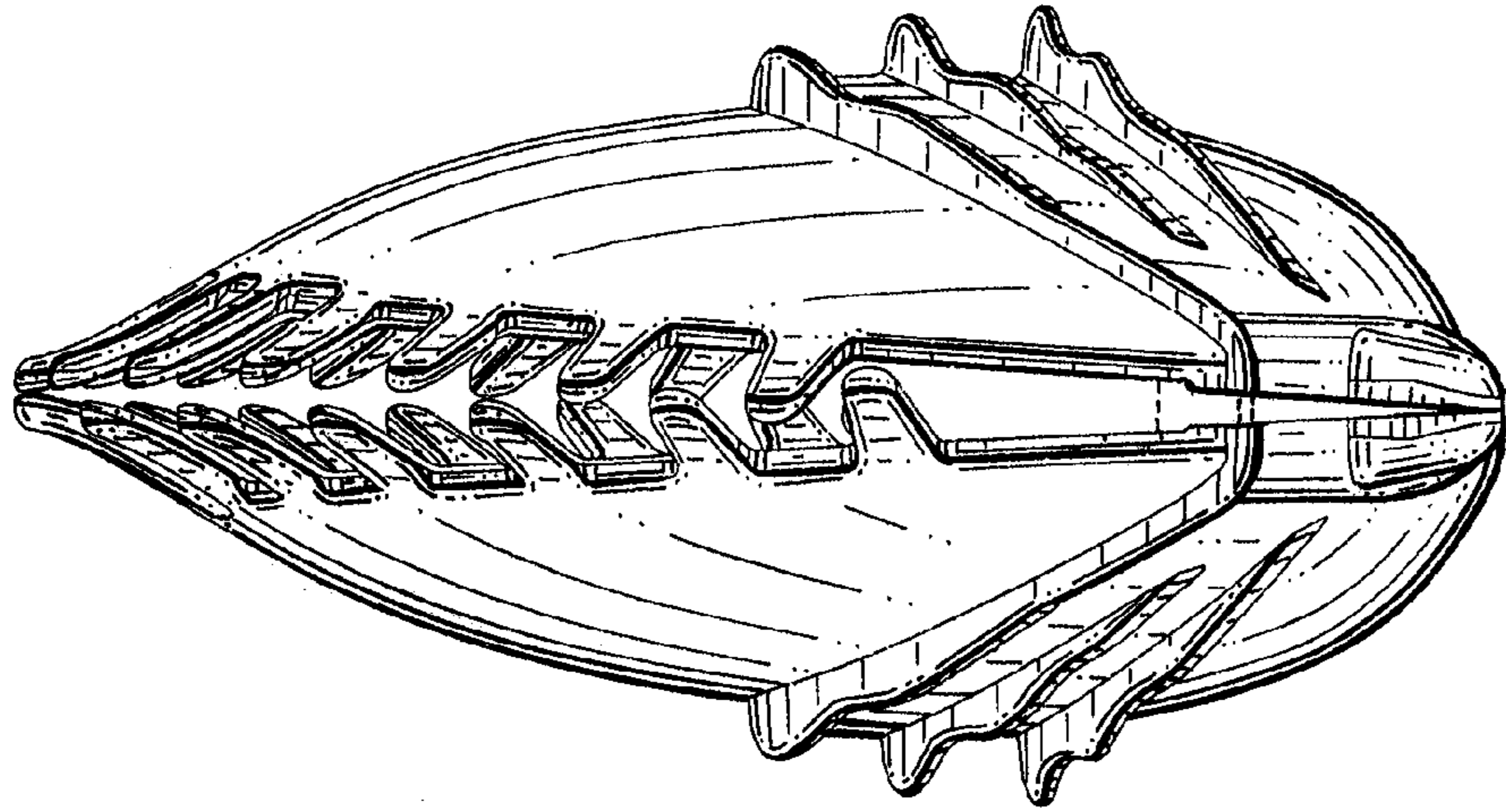


FIG. 4

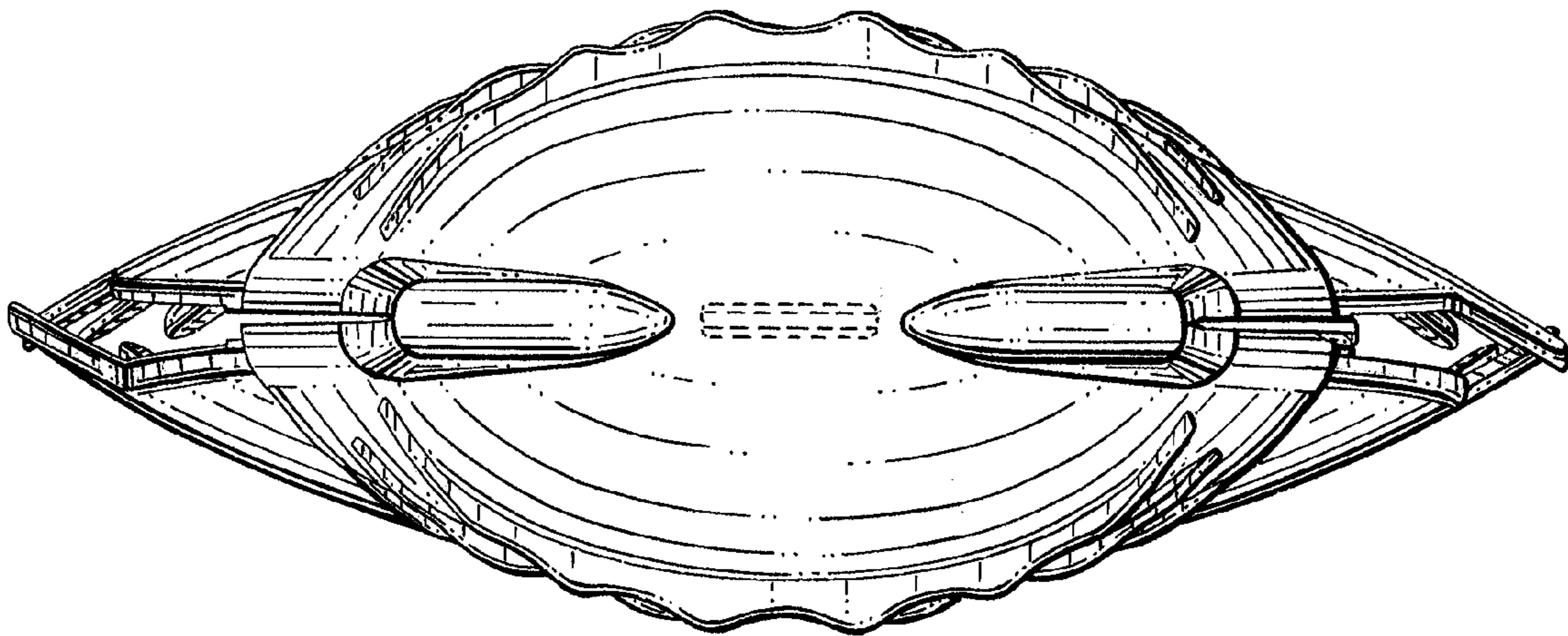


FIG. 5

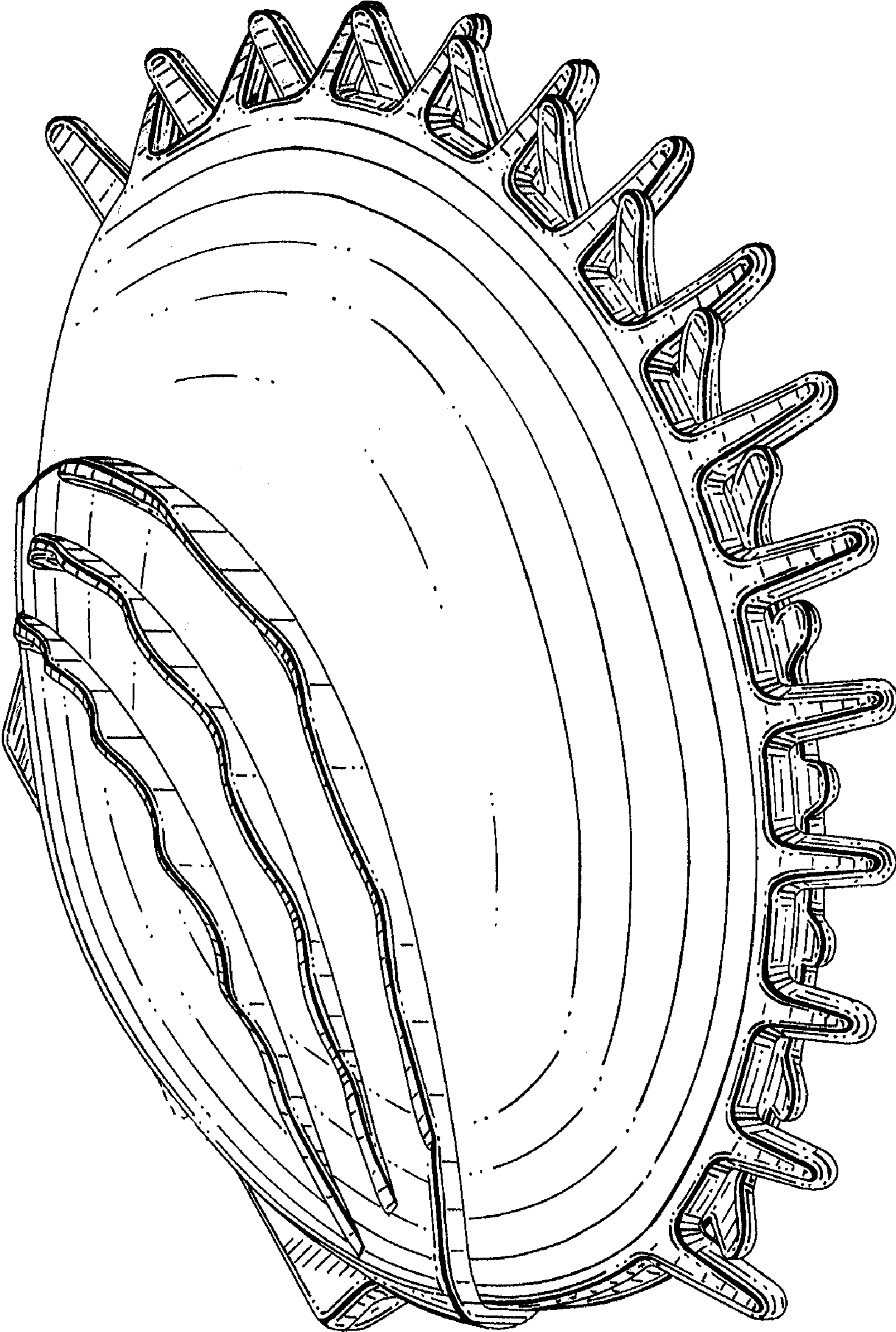


FIG. 6

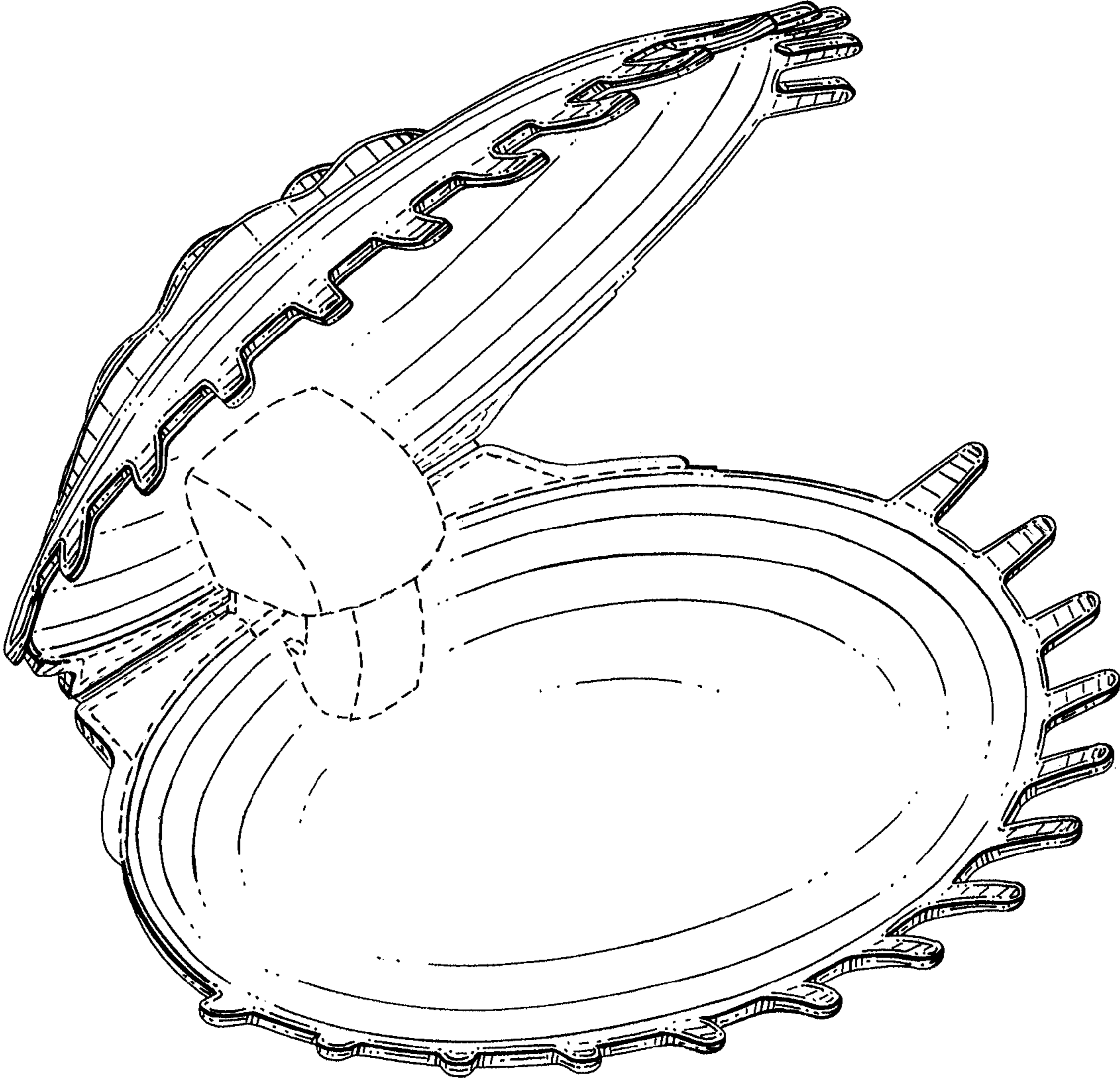


FIG.7