

US00D549527S

(12) **United States Design Patent**
Meyer

(10) **Patent No.:** **US D549,527 S**

(45) **Date of Patent:** **** Aug. 28, 2007**

(54) **SLICER**

(76) Inventor: **Thomas Meyer**, Beverwehr 22a,
D-27432 Bevern (DE)

(**) Term: **14 Years**

(21) Appl. No.: **29/249,333**

(22) Filed: **Oct. 2, 2006**

(30) **Foreign Application Priority Data**

Apr. 5, 2006 (EM) 000508429

(51) **LOC (8) Cl.** **07-04**

(52) **U.S. Cl.** **D7/672; D7/692**

(58) **Field of Classification Search** D7/672-675,
D7/693; 99/537, 538, 541-565; 30/301,
30/302, 113.1, 113.3; 241/273.1

See application file for complete search history.

(56) **References Cited**

U.S. PATENT DOCUMENTS

- 2,639,748 A * 5/1953 Peel 241/273.1
- D185,317 S * 5/1959 Ross D7/693
- D265,539 S * 7/1982 Pavelka D7/693
- D266,566 S * 10/1982 Schmid D15/123
- D280,690 S * 9/1985 Bloxham D7/673
- 4,606,263 A * 8/1986 Ross et al. 99/542
- D316,656 S * 5/1991 Hall D7/673

- D327,822 S * 7/1992 Kong D7/673
- 5,957,045 A * 9/1999 He et al. 99/541
- 6,148,719 A * 11/2000 Poltielov 99/544
- D464,537 S * 10/2002 Healy D7/693

* cited by examiner

Primary Examiner—Terry A. Wallace

(74) *Attorney, Agent, or Firm*—Akerman Senterfitt; Peter A. Chiabotti

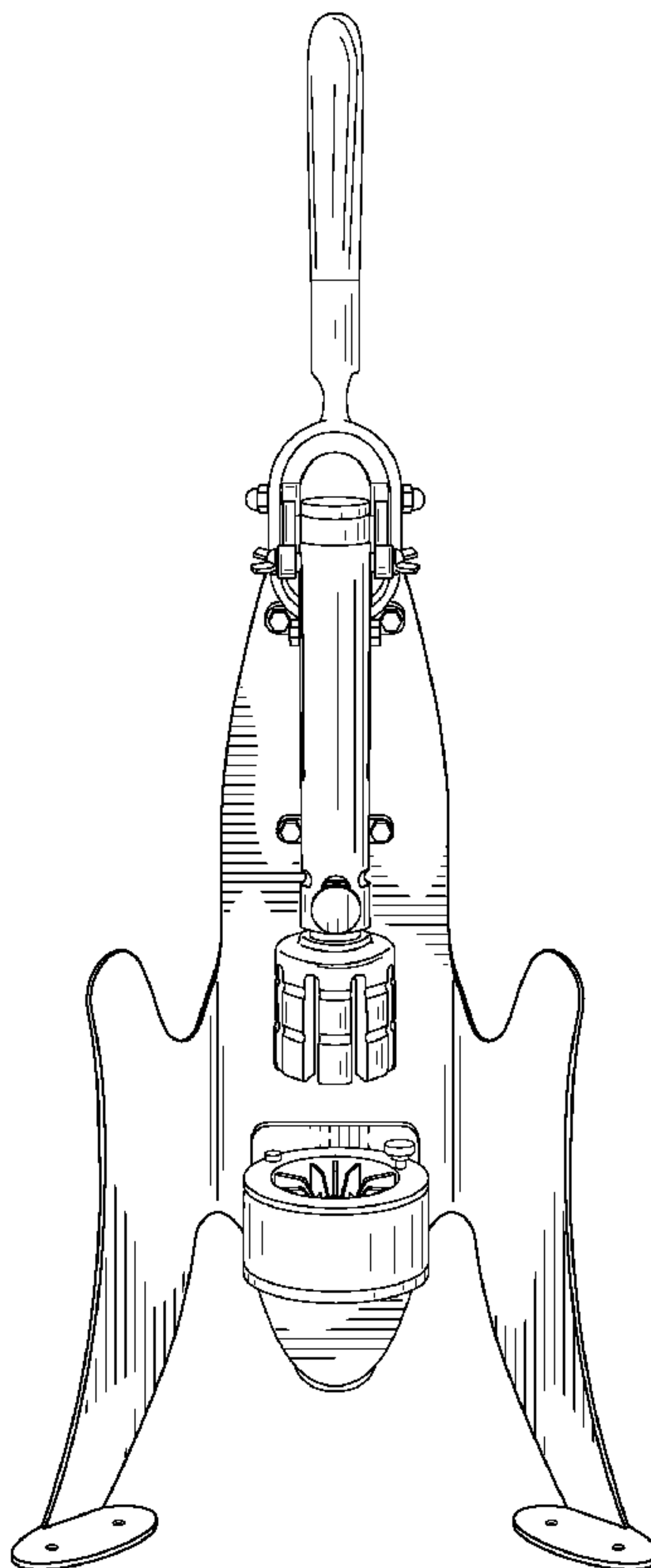
(57) **CLAIM**

The ornamental design for a slicer, as shown and described.

DESCRIPTION

FIG. 1 is a perspective view of my ornamental design;
 FIG. 2 is a front plan view of the ornamental design of FIG. 1;
 FIG. 3 is a rear plan view of the ornamental design of FIG. 1;
 FIG. 4 is a left elevation view of the ornamental design of FIG. 1;
 FIG. 5 is a right elevation view of the ornamental design of FIG. 1;
 FIG. 6 is a top view of the ornamental design of FIG. 1; and,
 FIG. 7 is a bottom view of the ornamental design of FIG. 1.

1 Claim, 6 Drawing Sheets



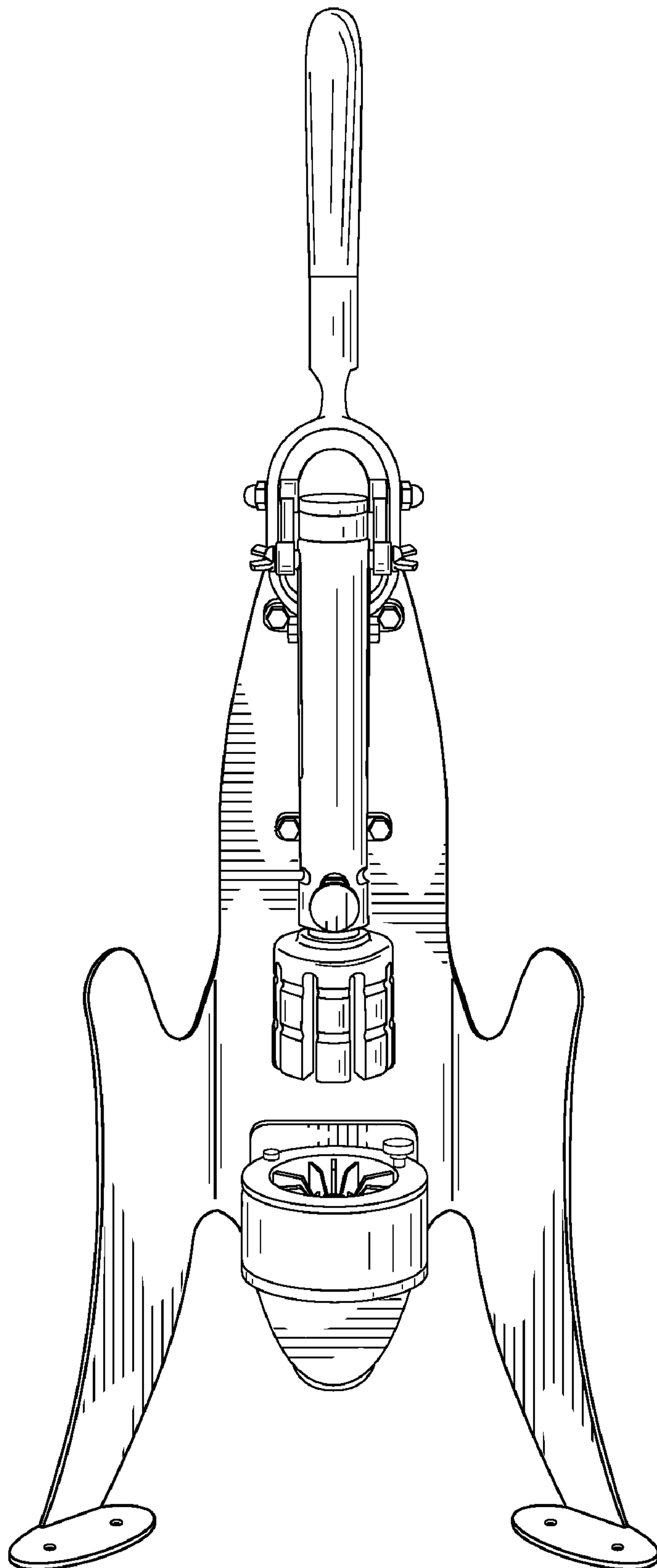


FIG. 1

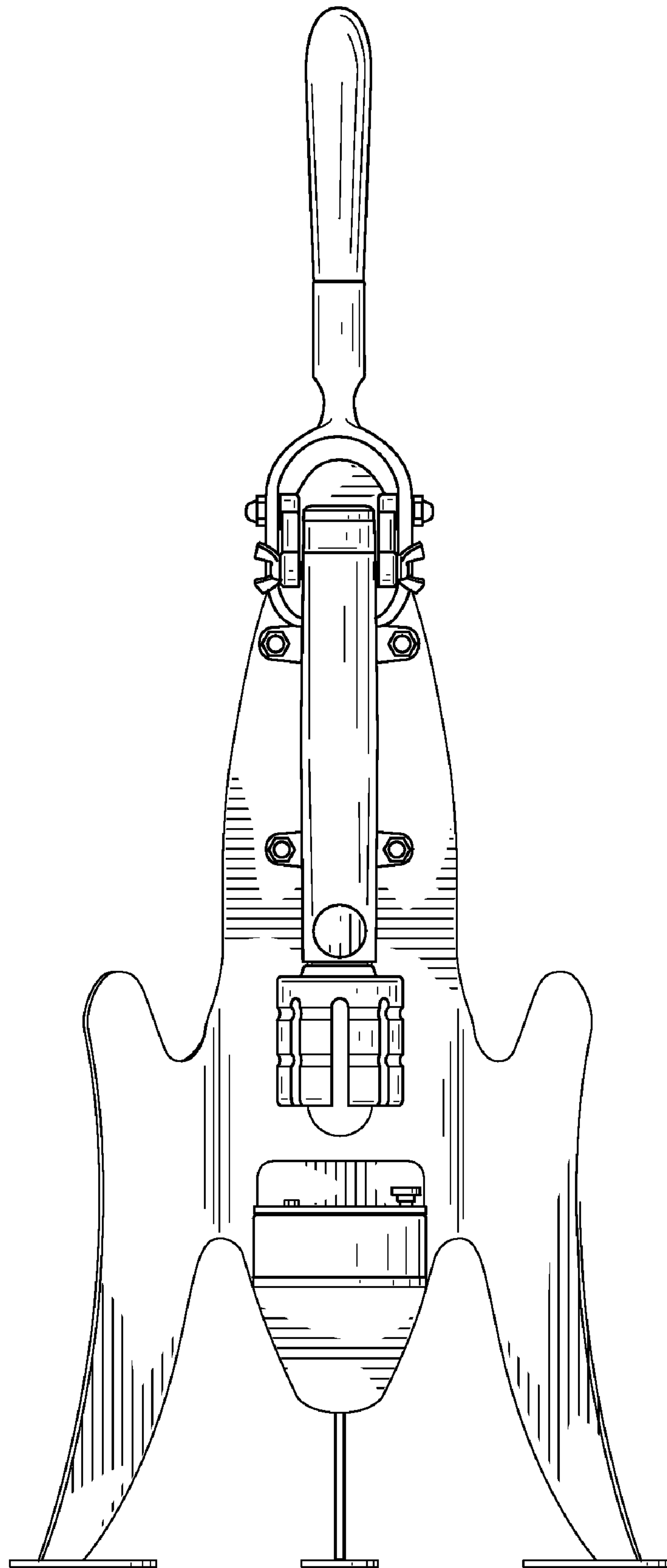


FIG. 2

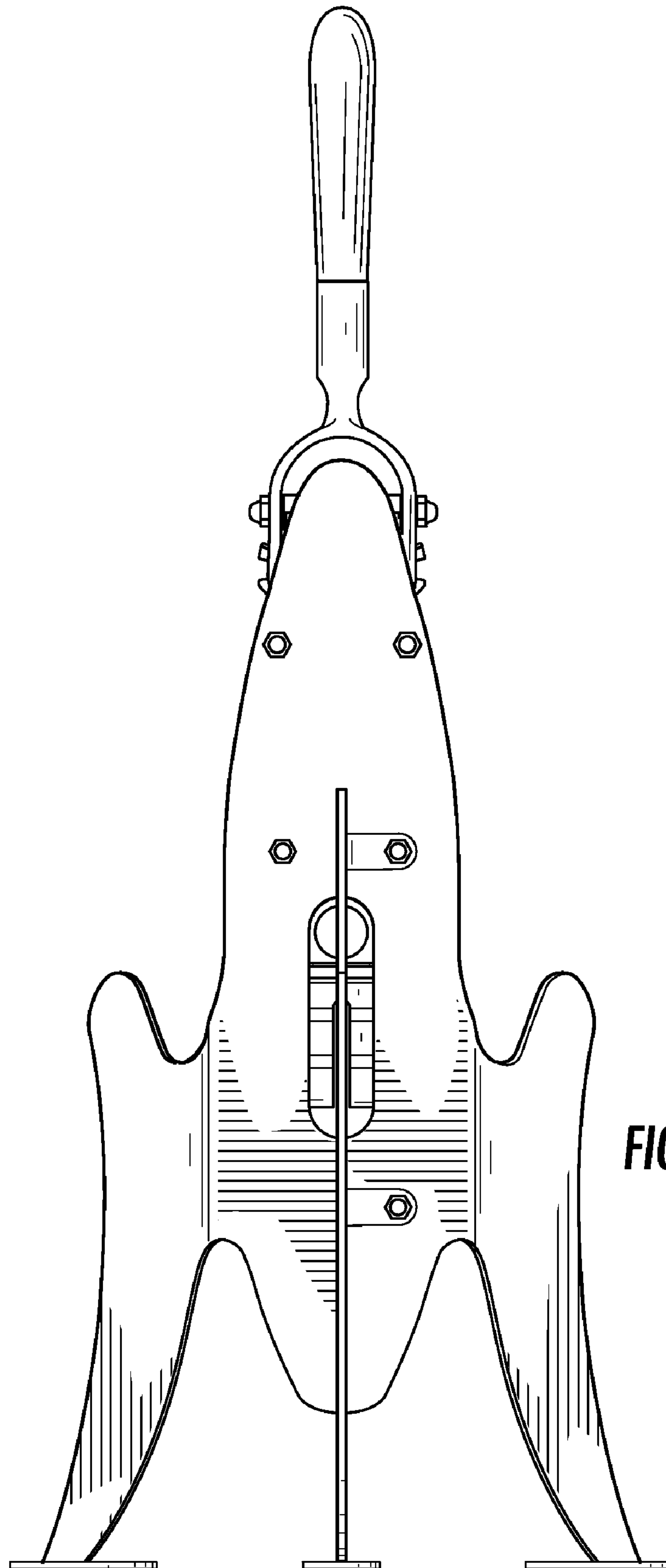


FIG. 3

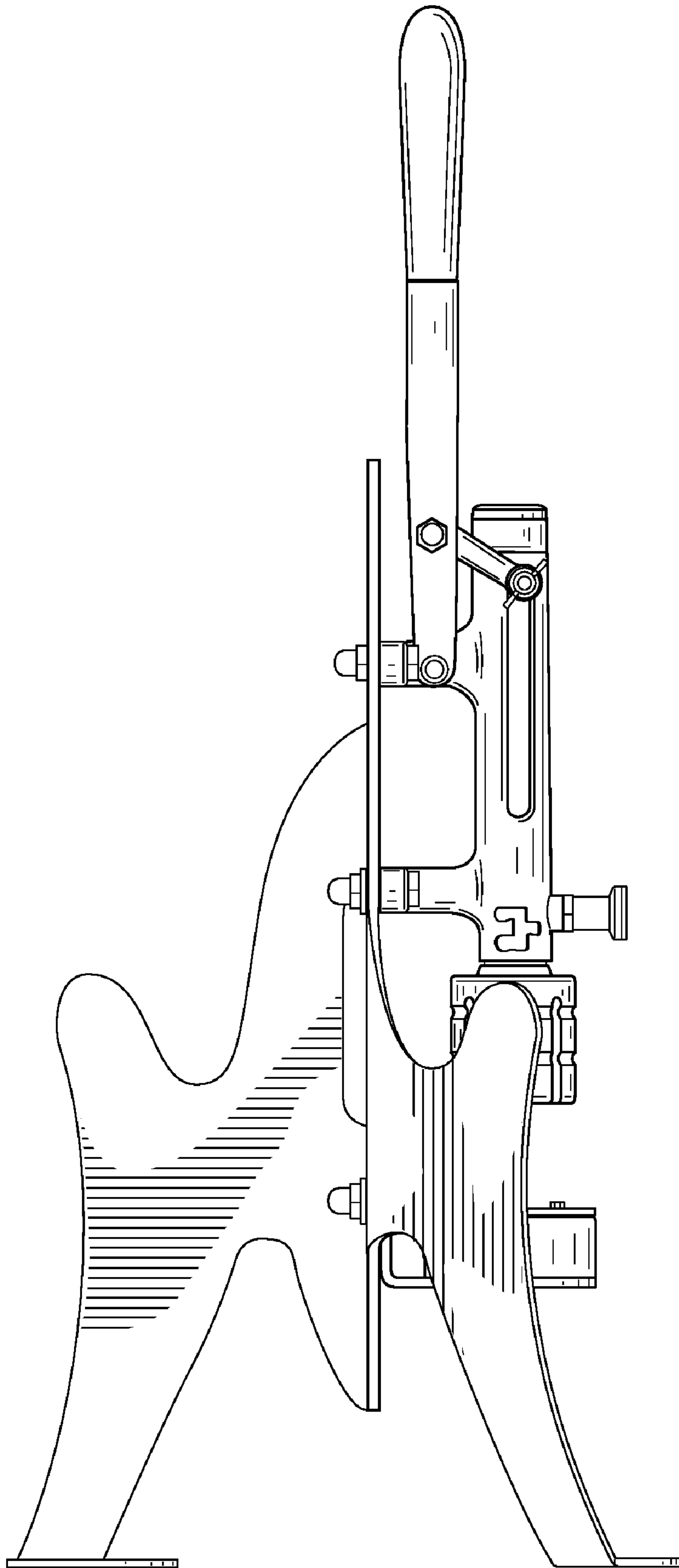


FIG. 4

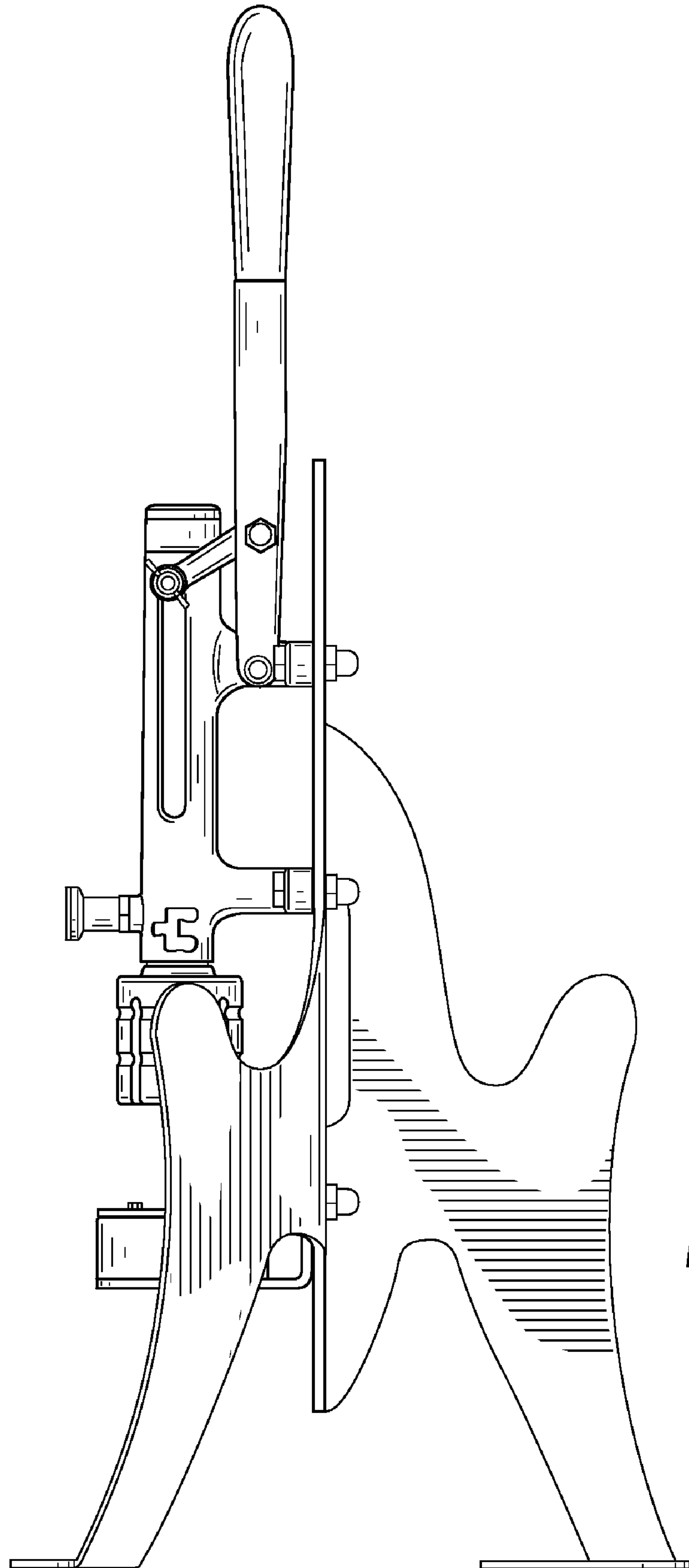


FIG. 5

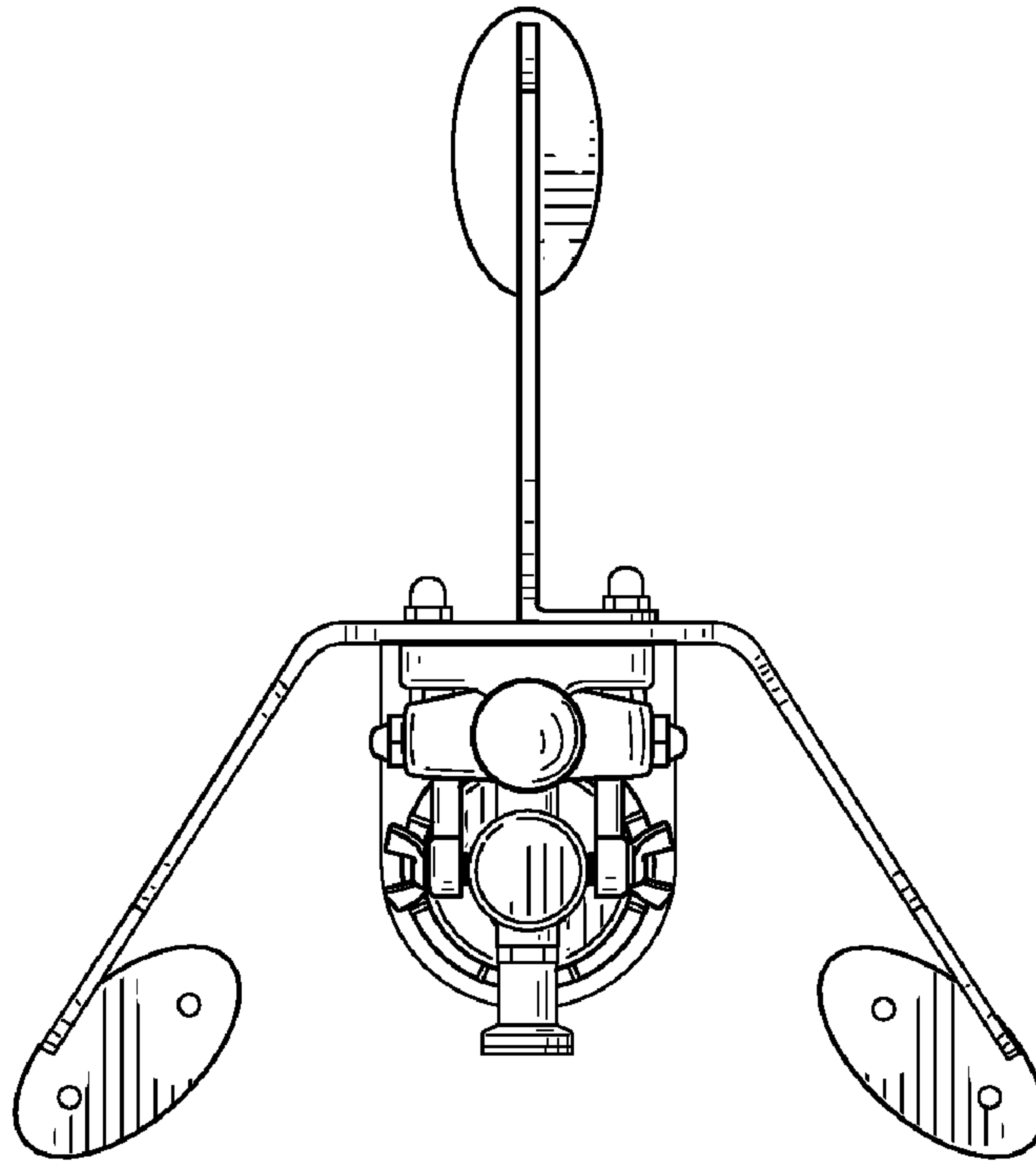


FIG. 6

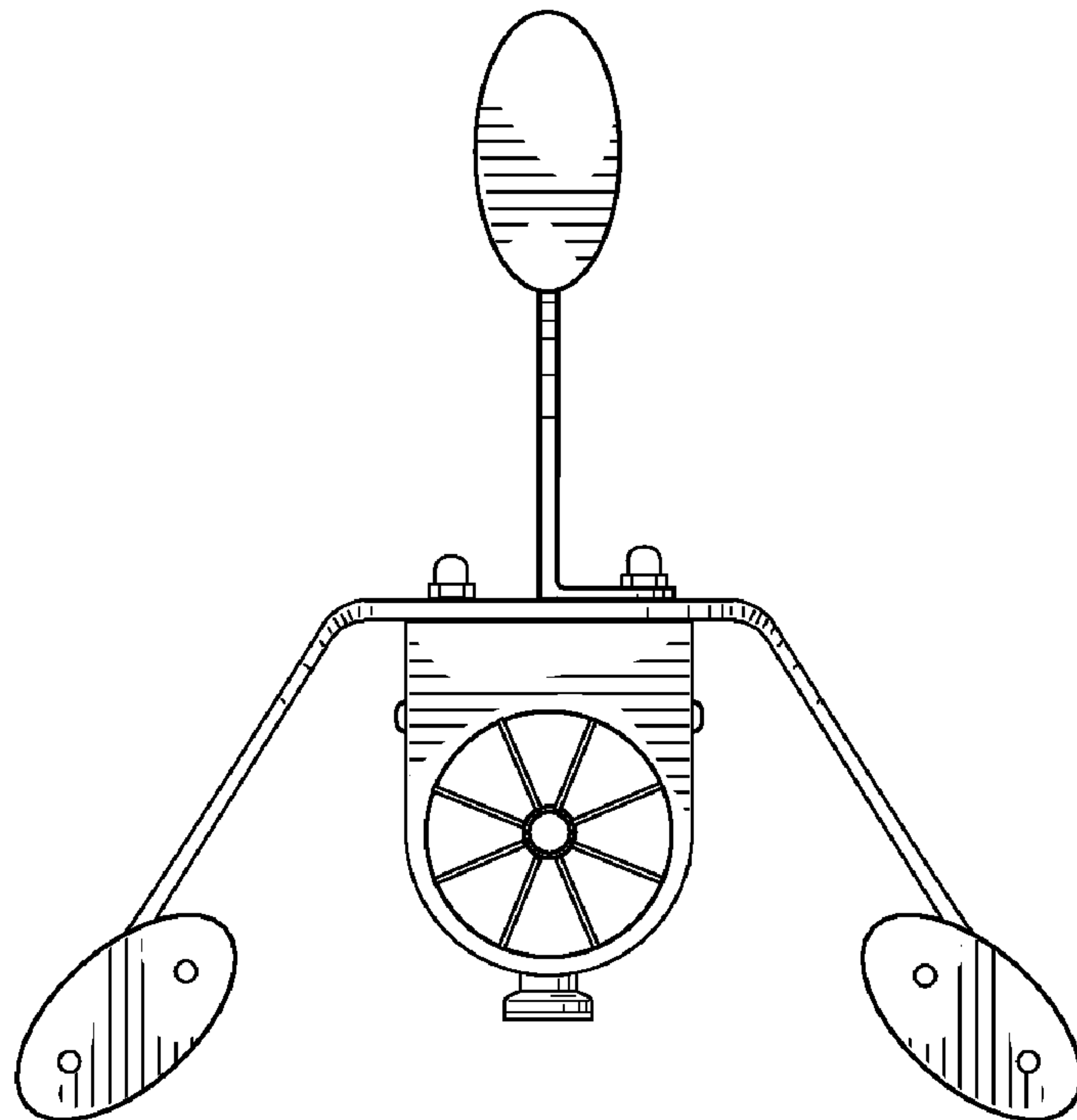


FIG. 7