



US00D549525S

(12) **United States Design Patent**
Kozel et al.

(10) **Patent No.:** **US D549,525 S**

(45) **Date of Patent:** **** Aug. 28, 2007**

(54) **CONTAINER HOLDING DEVICE**

(75) Inventors: **Kelly Kozel**, Atlanta, GA (US);
Matthew Allen, Atlanta, GA (US)

(73) Assignee: **The Coca-Cola Company**, Atlanta, GA (US)

(**) Term: **14 Years**

(21) Appl. No.: **29/276,625**

(22) Filed: **Jan. 31, 2007**

(51) **LOC (8) Cl.** **07-06**

(52) **U.S. Cl.** **D7/620; D6/417**

(58) **Field of Classification Search** D7/619.1-625,
D7/605, 608; D6/417; 47/47, 41.14; 248/311.2,
248/151, 156, 309.1, 311.1, 146; 211/74;
220/737, 739

See application file for complete search history.

(56) **References Cited**

U.S. PATENT DOCUMENTS

- 252,088 A * 1/1882 Terry 248/156
- 3,767,355 A * 10/1973 Anderson, Jr. 248/156
- 4,194,627 A 3/1980 Christensen
- 4,334,661 A 6/1982 Pitt
- D308,802 S 6/1990 Ward
- 5,065,879 A 11/1991 King
- 5,381,922 A 1/1995 Gladman et al.

- 5,445,315 A 8/1995 Shelby
- D366,600 S * 1/1996 Laskowski et al. D7/620
- 5,570,863 A 11/1996 Cooper
- D396,383 S * 7/1998 Hanson D7/620
- 6,145,715 A 11/2000 Slonim
- 6,575,417 B1 * 6/2003 Krommenakker 248/311.2
- D490,659 S 6/2004 Gies

FOREIGN PATENT DOCUMENTS

CH 660448 1/1987

* cited by examiner

Primary Examiner—Terry A. Wallace

(57) **CLAIM**

The ornamental design for a container holding device, as shown.

DESCRIPTION

FIG. 1 is a perspective view of my new container holding device;

FIG. 2 is a front view thereof;

FIG. 3 is a rear view thereof;

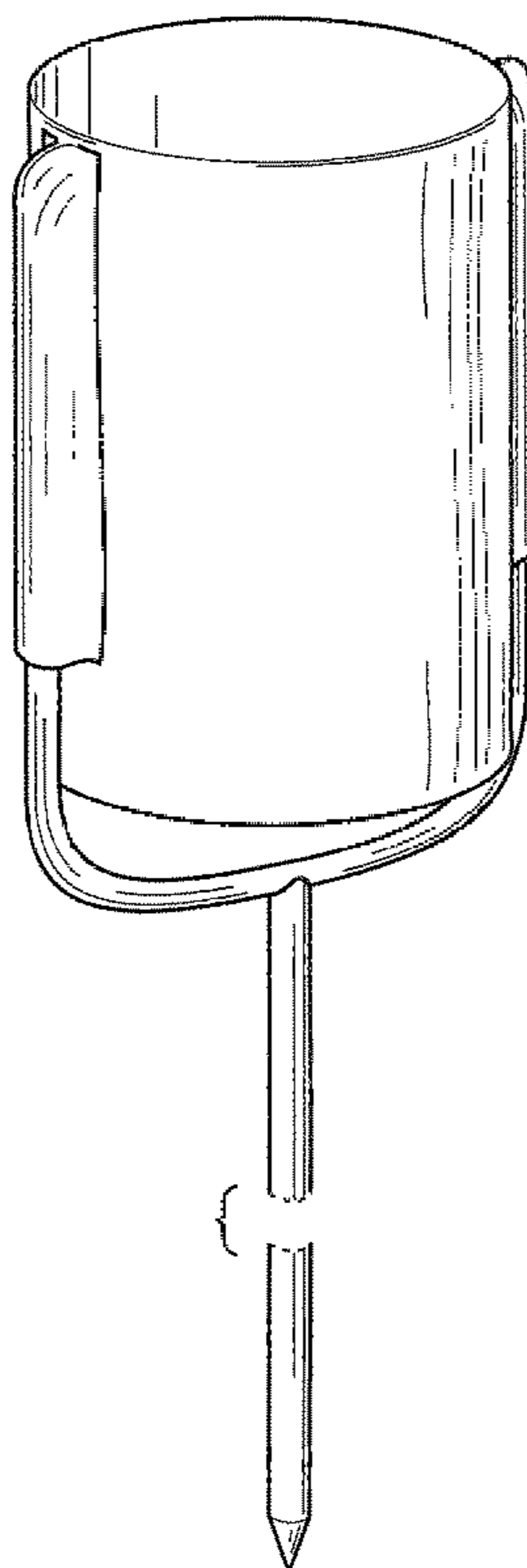
FIG. 4 is a left view thereof;

FIG. 5 is a right view thereof;

FIG. 6 is a top view thereof; and,

FIG. 7 is a bottom view thereof.

1 Claim, 3 Drawing Sheets



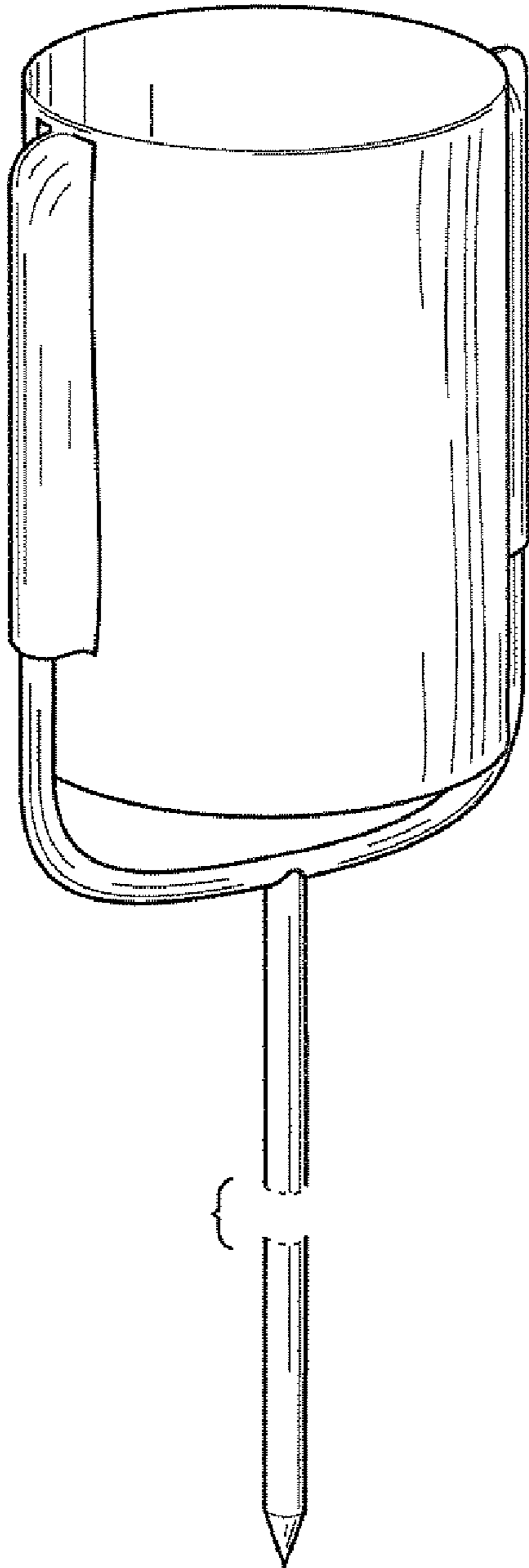


Fig. 1

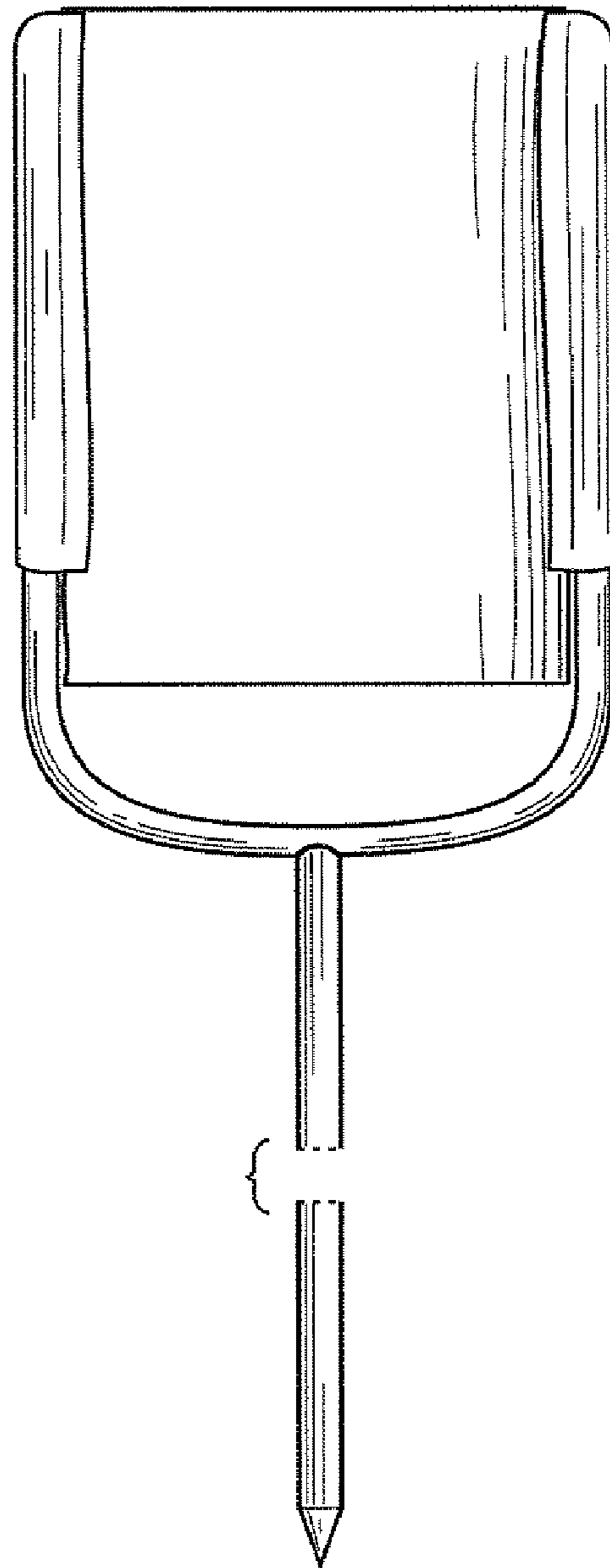


Fig. 2

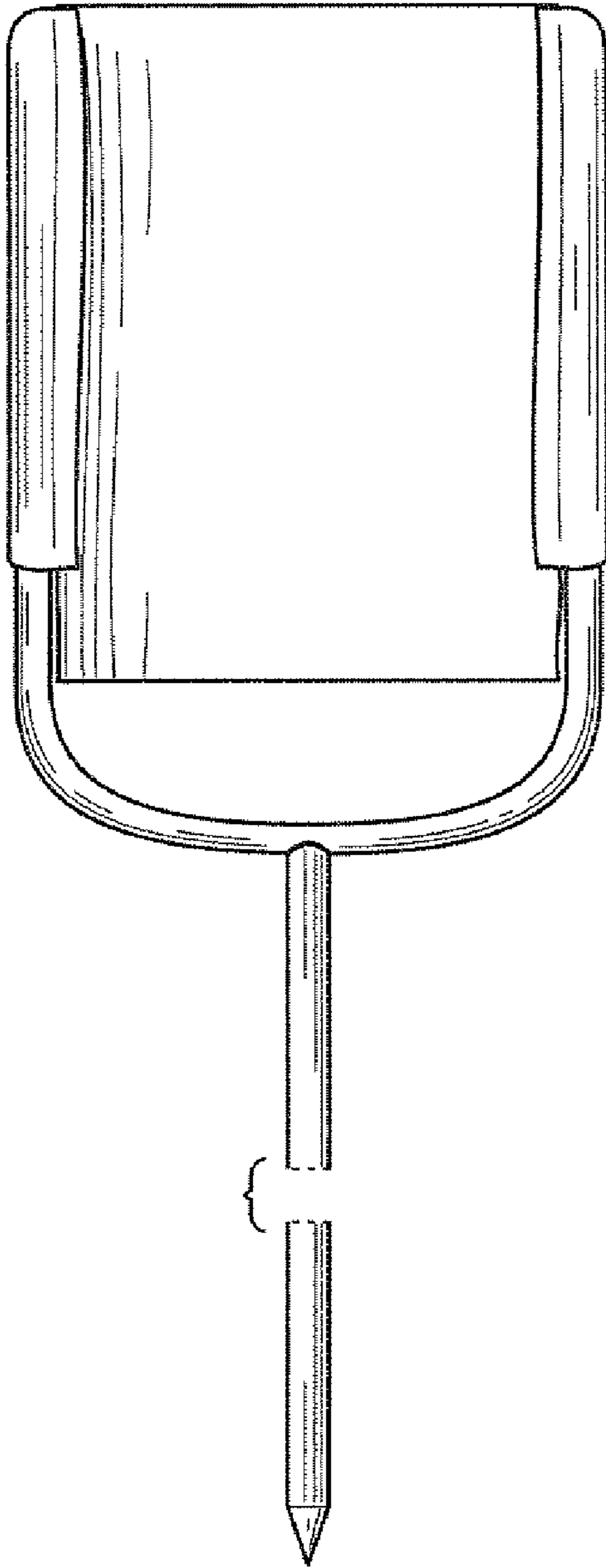


Fig. 3

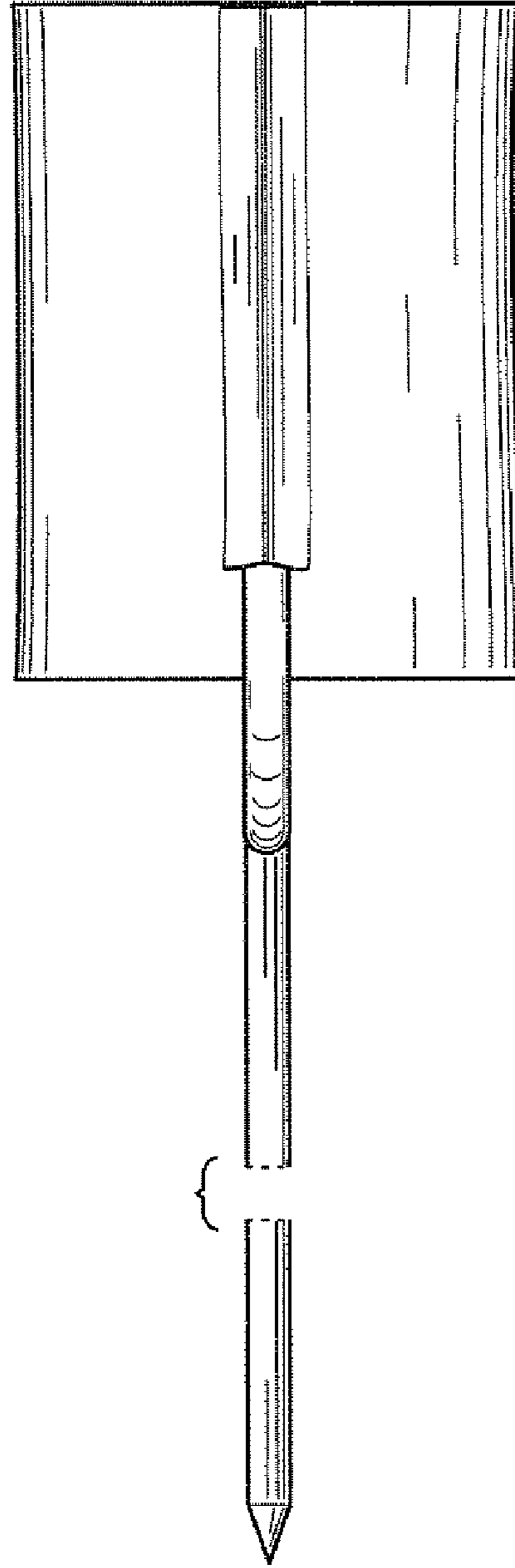


Fig. 4

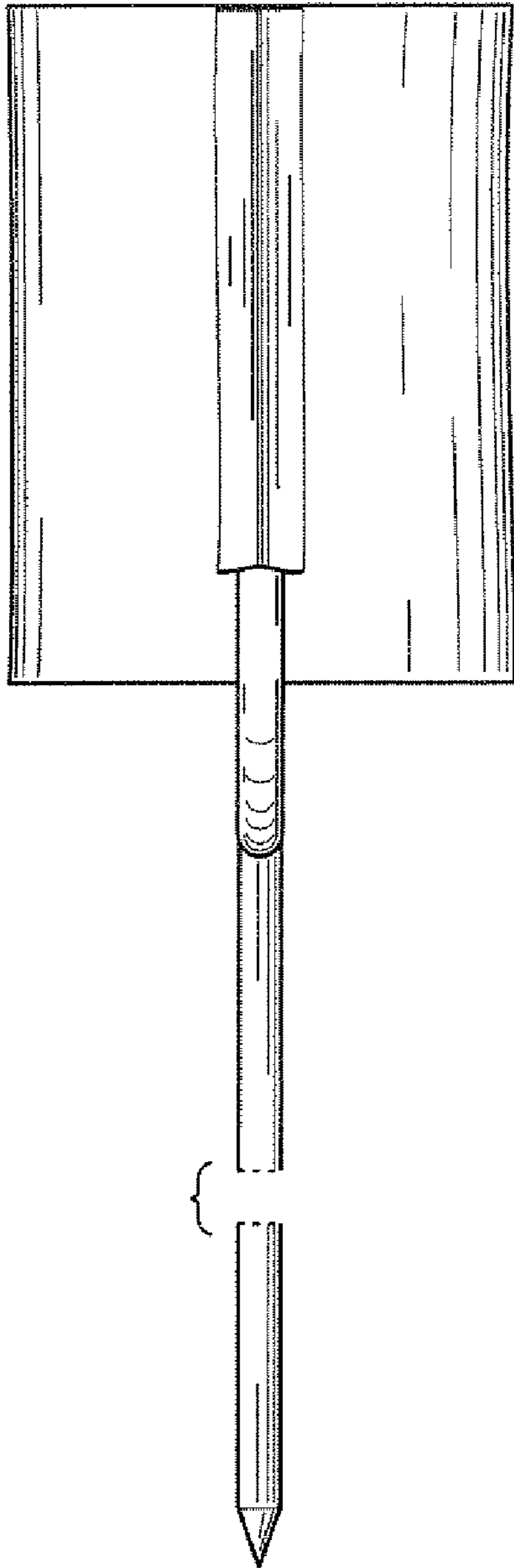


Fig. 5

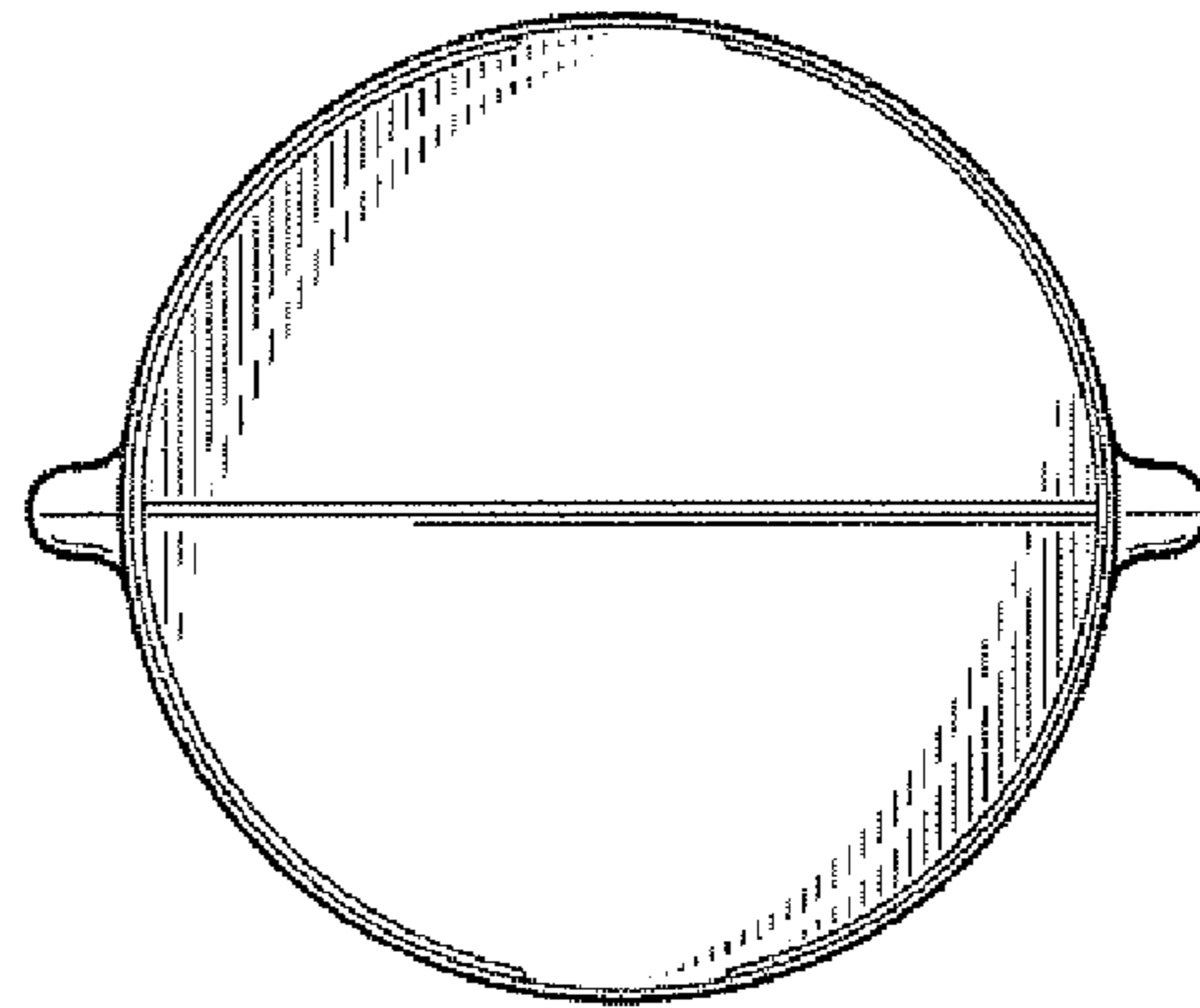


Fig. 6

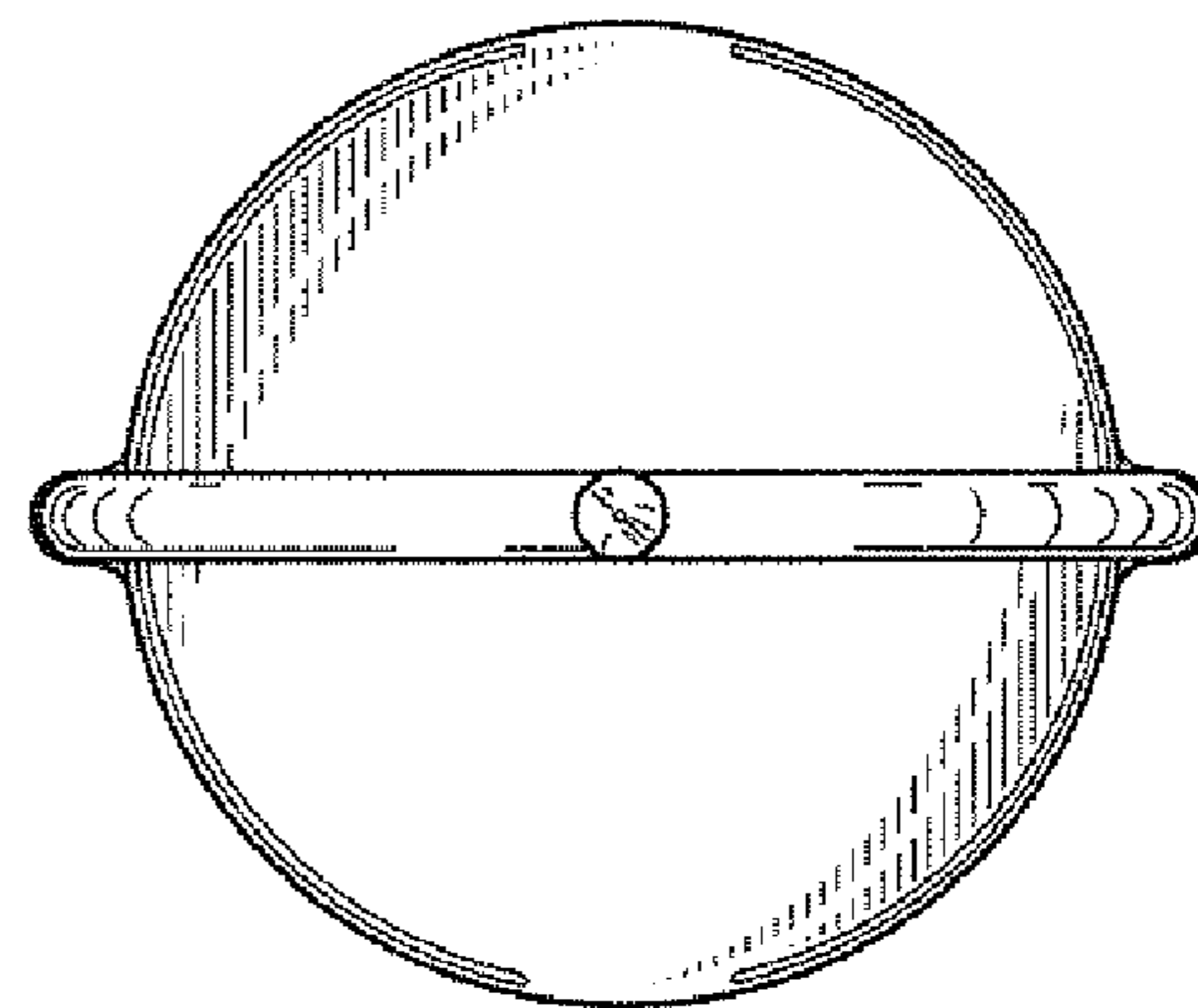


Fig. 7