



US00D549524S

(12) **United States Design Patent**  
**White, III**

(10) **Patent No.:** **US D549,524 S**

(45) **Date of Patent:** **\*\* Aug. 28, 2007**

(54) **CONDIMENT HOLDER WITH REFUSE TRAY**

*Primary Examiner*—Terry A. Wallace  
(74) *Attorney, Agent, or Firm*—Charles D. Gunter, Jr.

(76) **Inventor:** **Ward Allen White, III**, Suite 1132,  
200 Henderson St., Fort Worth, TX  
(US) 76102

(57) **CLAIM**

The ornamental design for a condiment holder with refuse tray, as shown and described.

(\*\*) **Term:** **14 Years**

(21) **Appl. No.:** **29/270,613**

**DESCRIPTION**

(22) **Filed:** **Dec. 28, 2006**

(51) **LOC (8) Cl.** ..... **07-06**

(52) **U.S. Cl.** ..... **D7/590**

(58) **Field of Classification Search** ..... D7/590,  
D7/602, 629, 612–615; D6/460, 468, 474,  
D6/476, 512, 514; D9/424–432; D19/75,  
D19/77, 78, 86; D34/1, 5, 7, 8; 211/13.1,  
211/71.01; 220/574–575

See application file for complete search history.

FIG. 1 is a perspective view of the condiment holder of the invention showing a number of condiment packages in place in the provided slots, the packages not forming a portion of the invention;

FIG. 2 is a perspective view, similar to FIG. 1, but with the condiment packages removed for ease of illustration;

FIG. 3 is a left side view of the condiment holder of the invention, the right side view being a mirror image thereof;

FIG. 4 is a right end view of the condiment holder of FIG. 1;

FIG. 5 is a left end view of the condiment holder of the invention;

FIG. 6 is a top view of the condiment holder of FIG. 1;

FIG. 7 is a bottom view of the condiment holder; and,

FIG. 8 is another perspective view of the condiment holder of the invention, showing the refuse tray in the extended position.

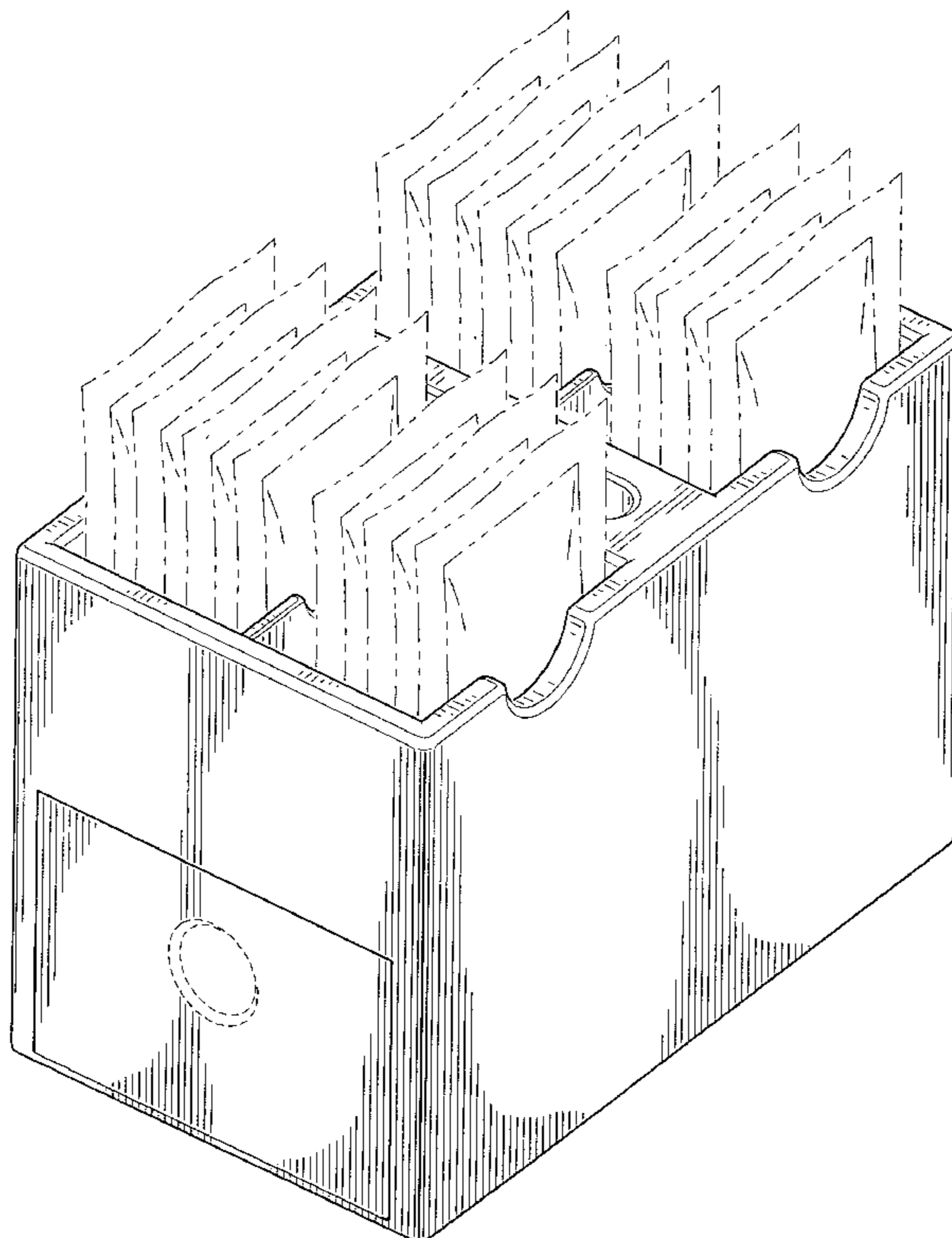
(56) **References Cited**

**U.S. PATENT DOCUMENTS**

D141,237 S *	5/1945	Gauvreau	.....	D6/476
D289,596 S *	5/1987	Evans	.....	D7/590
D369,522 S *	5/1996	Casey	.....	D7/590
D375,228 S *	11/1996	Rhodes	.....	D7/590
D395,577 S *	6/1998	Miller	.....	D7/590
D447,387 S *	9/2001	Von Wolff	.....	D7/590
D477,188 S *	7/2003	Faria	.....	D7/590

\* cited by examiner

**1 Claim, 5 Drawing Sheets**



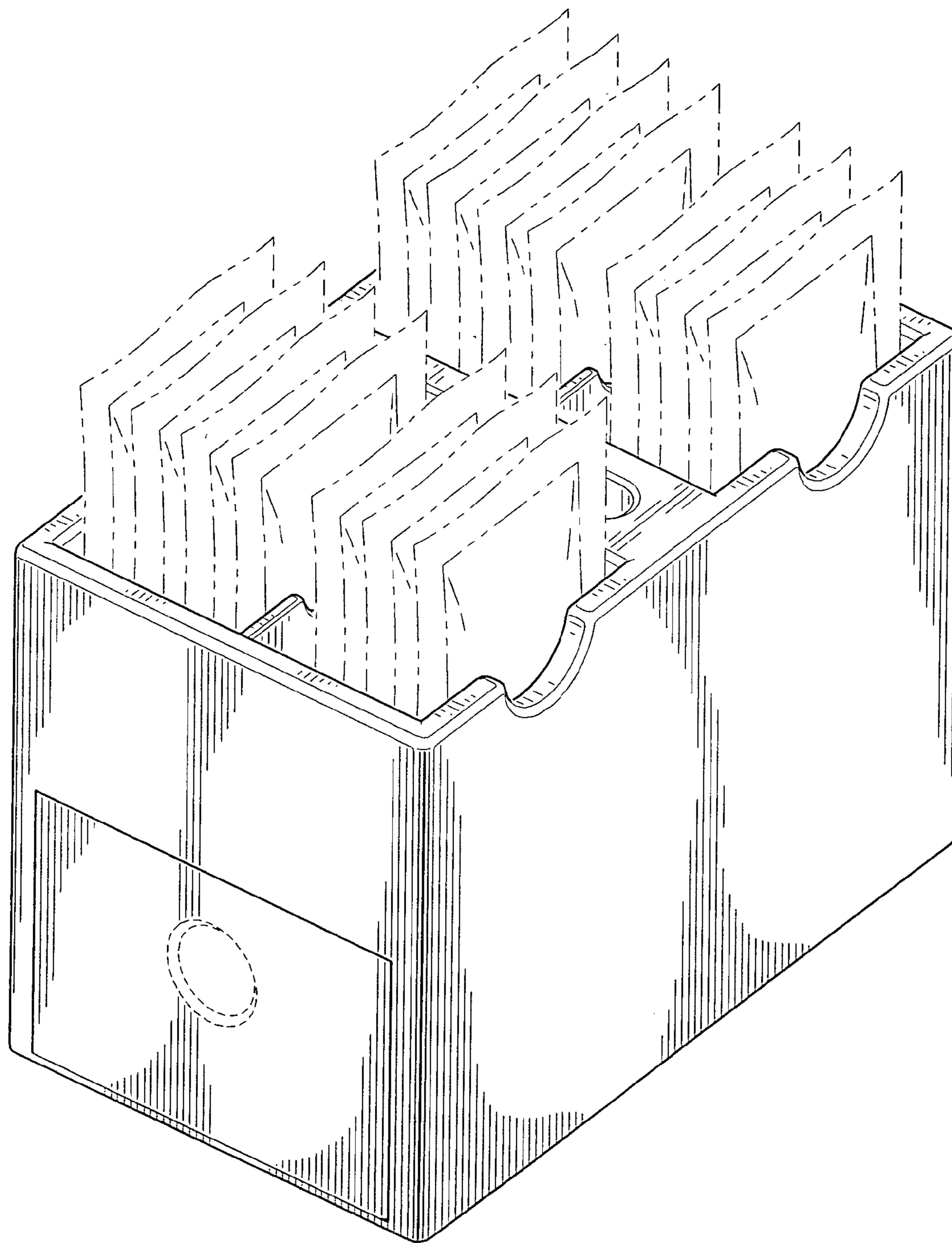


FIG. 1

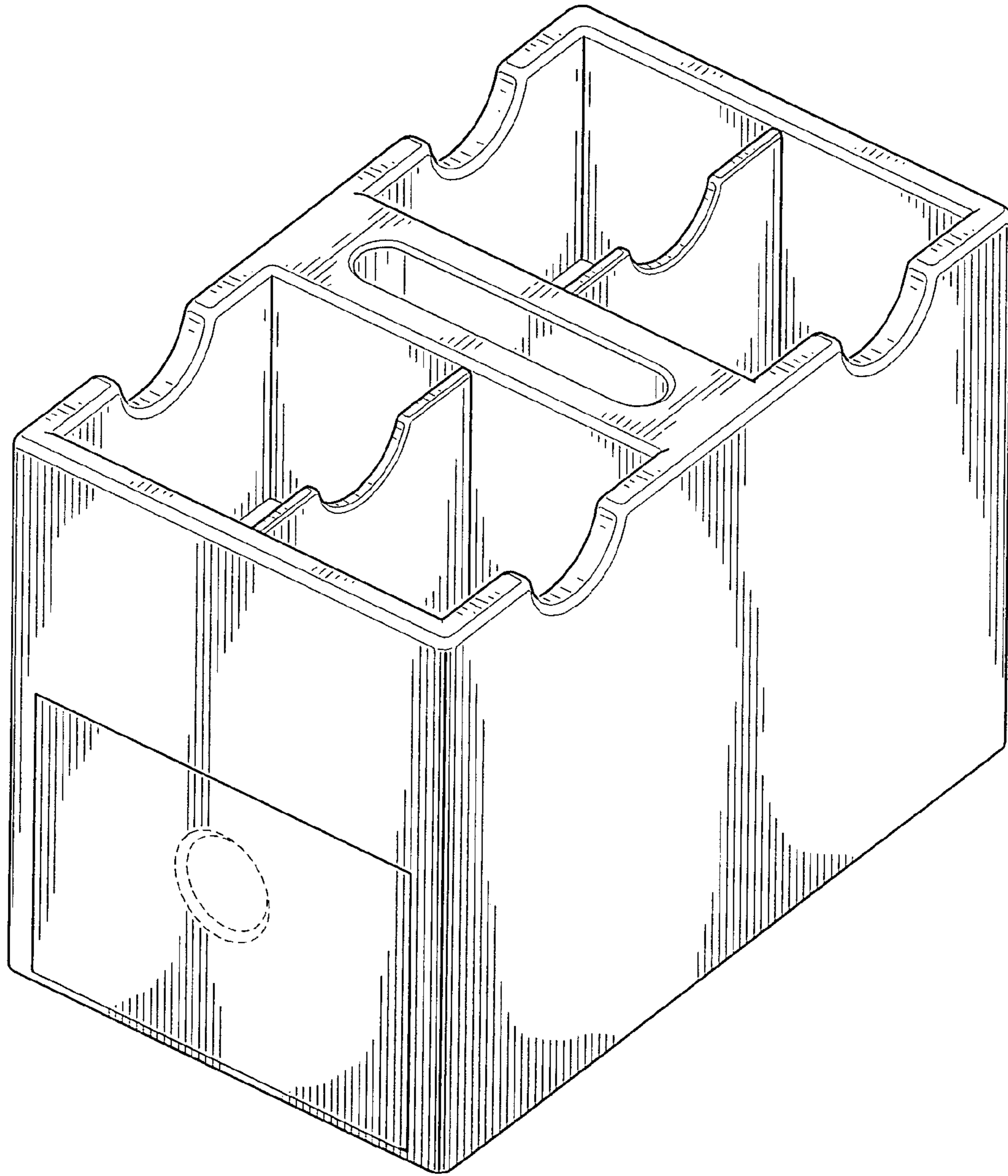
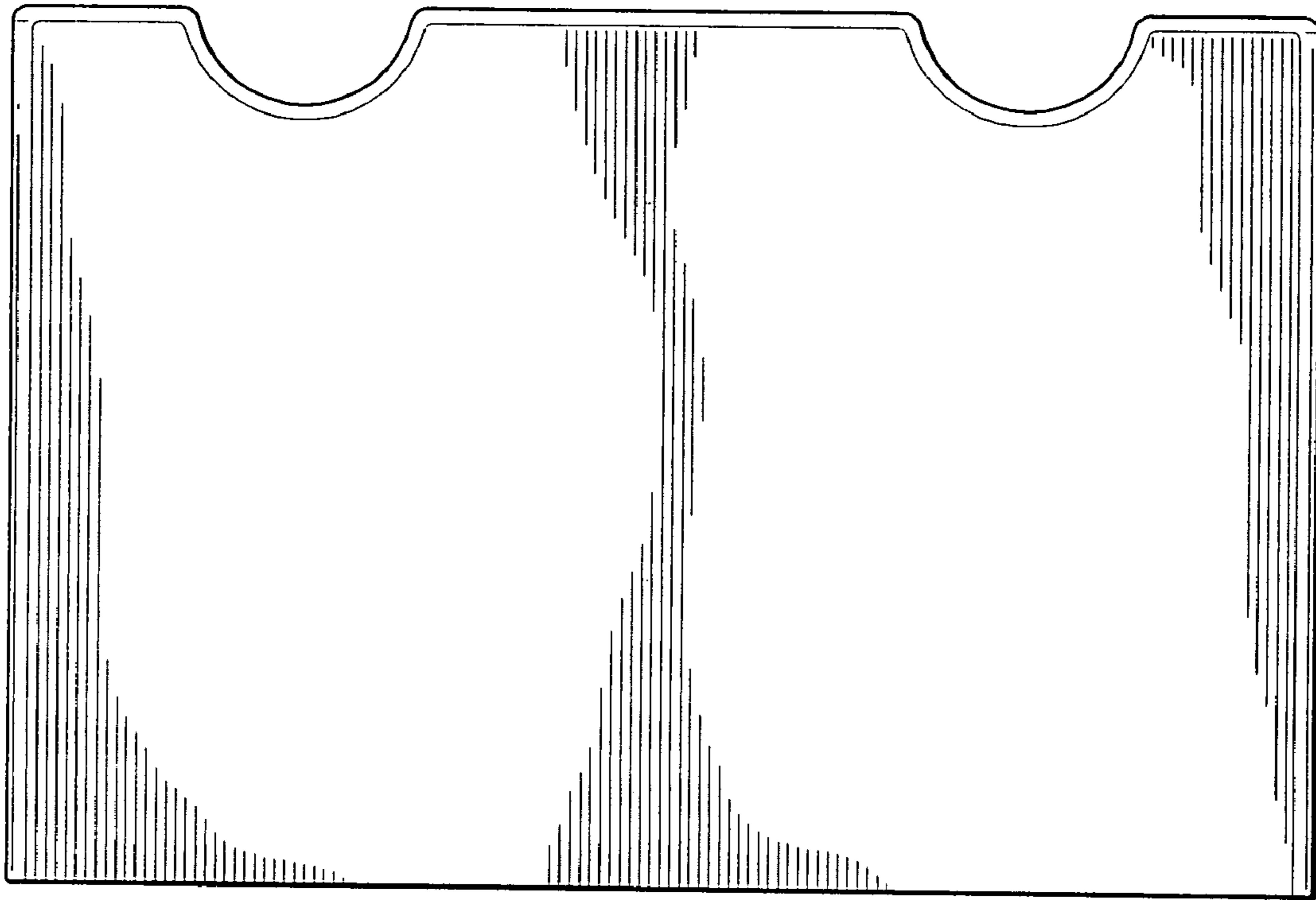
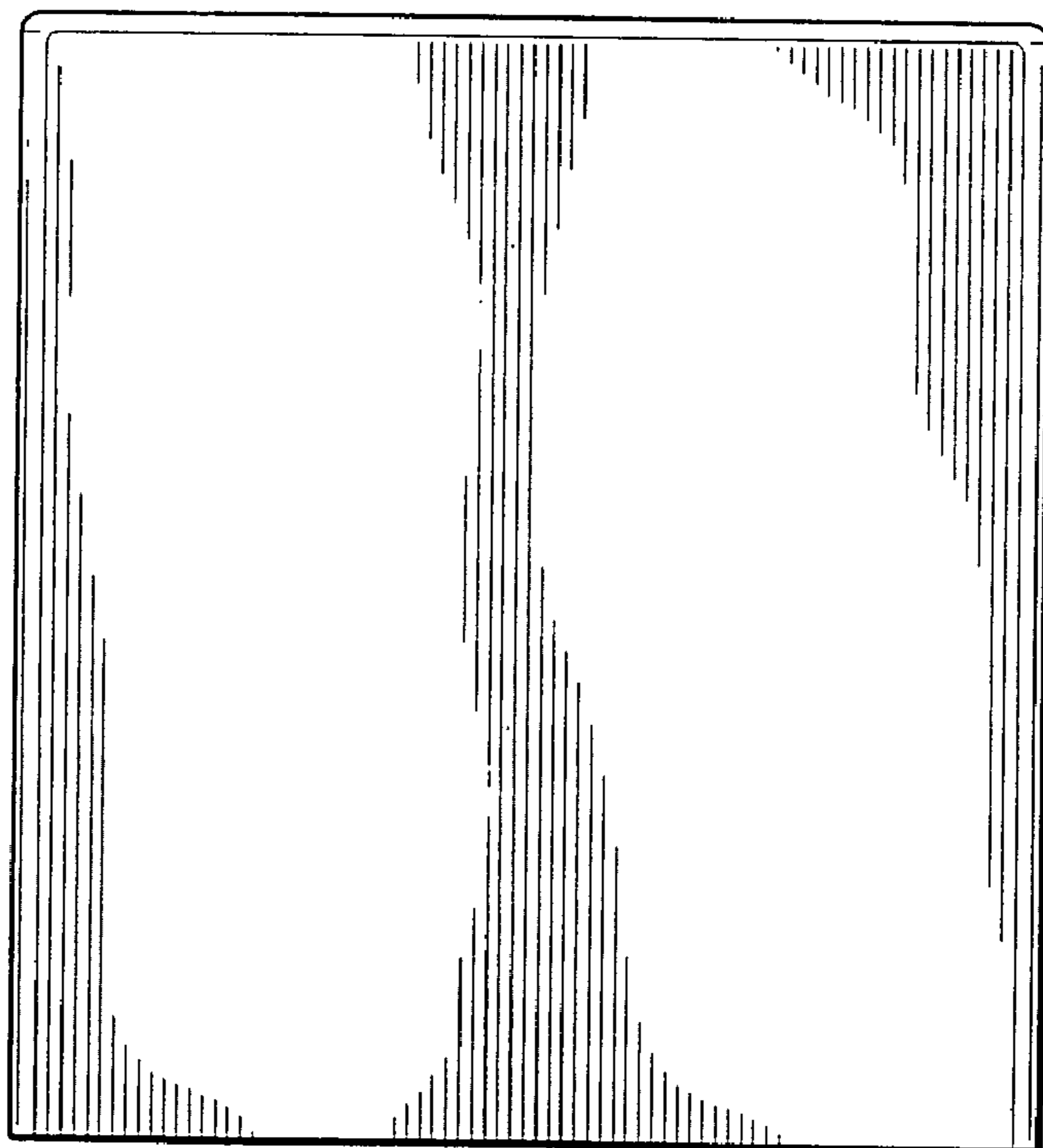


FIG. 2



*FIG. 3*



*FIG. 4*

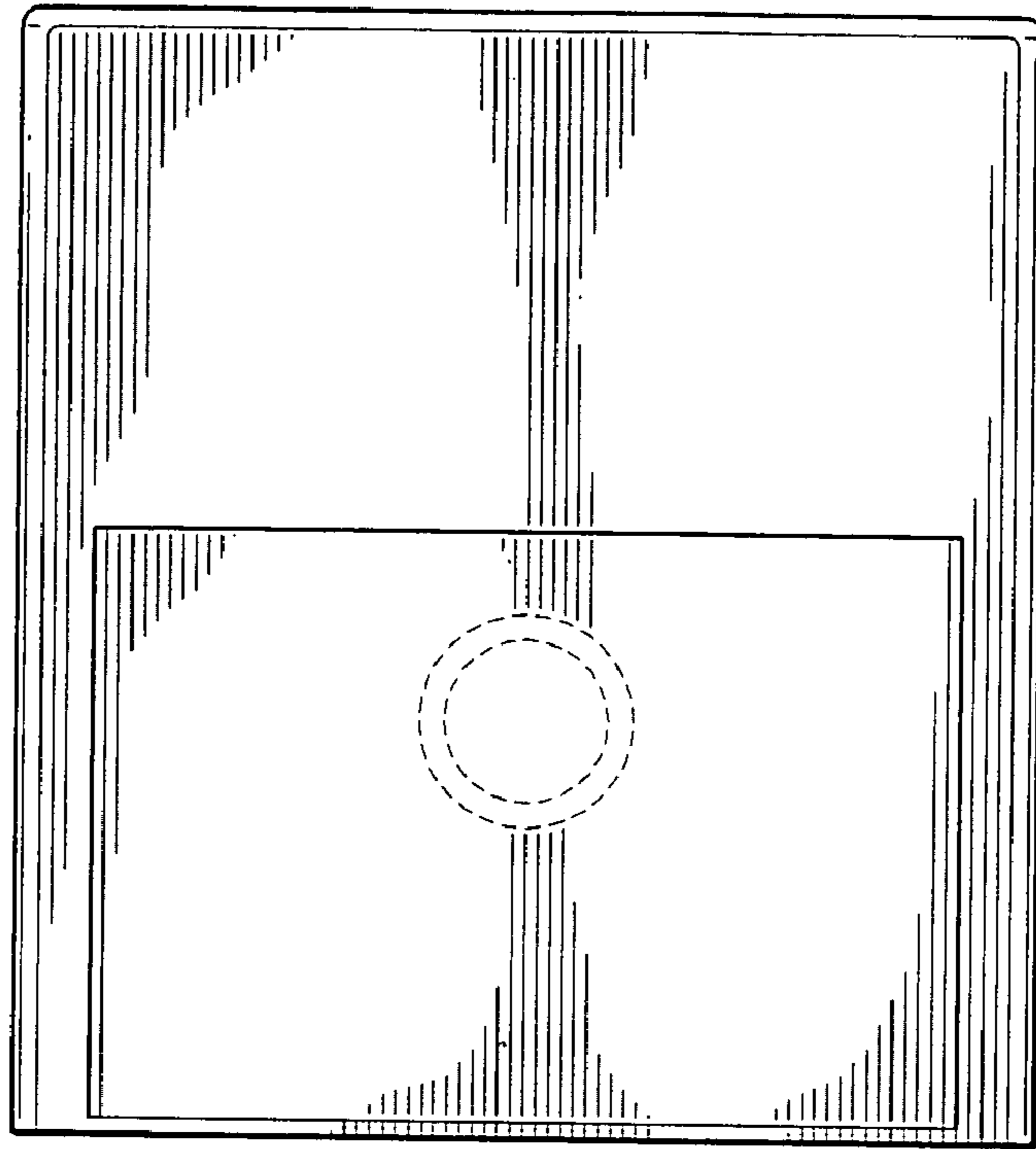


FIG. 5

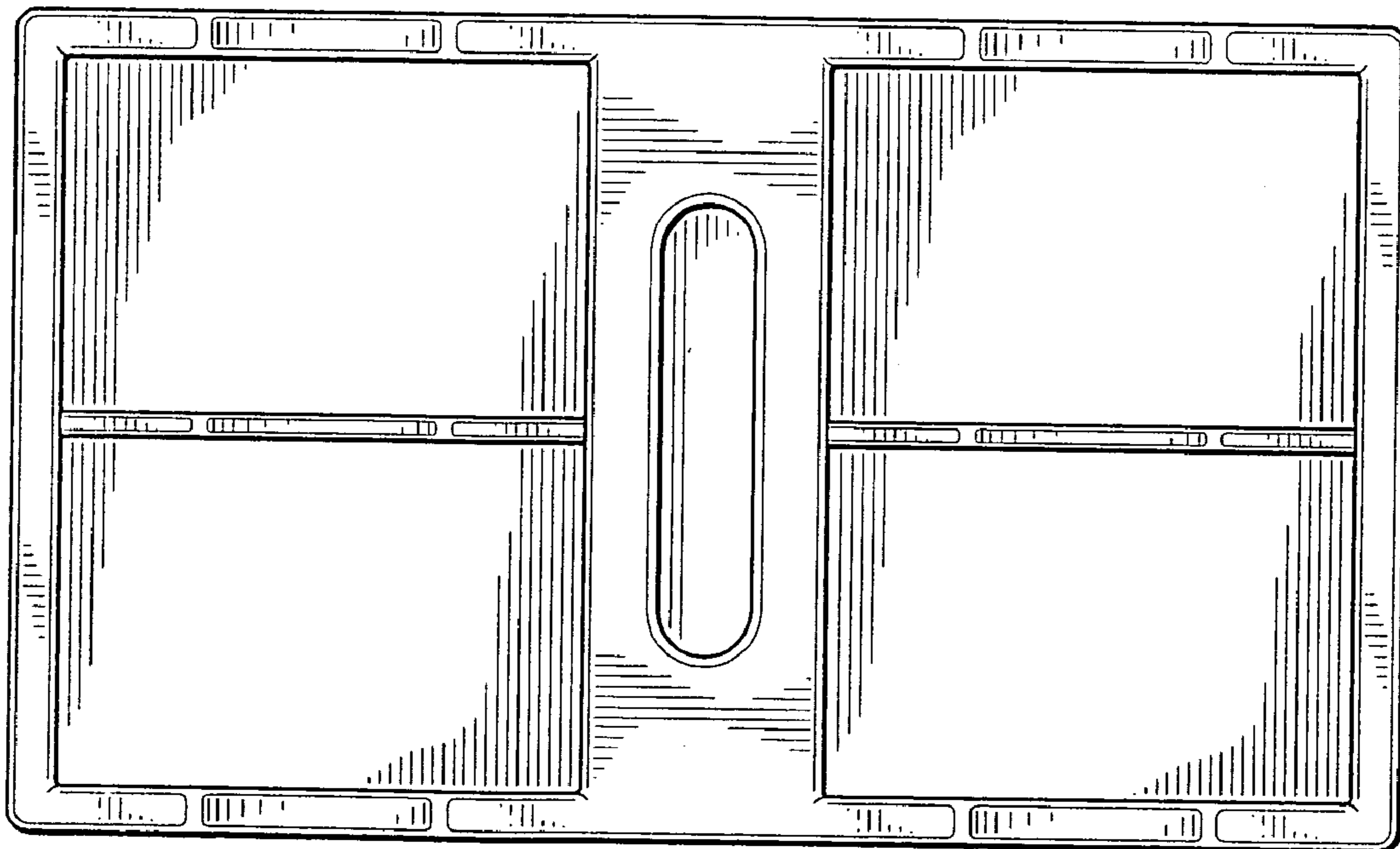


FIG. 6

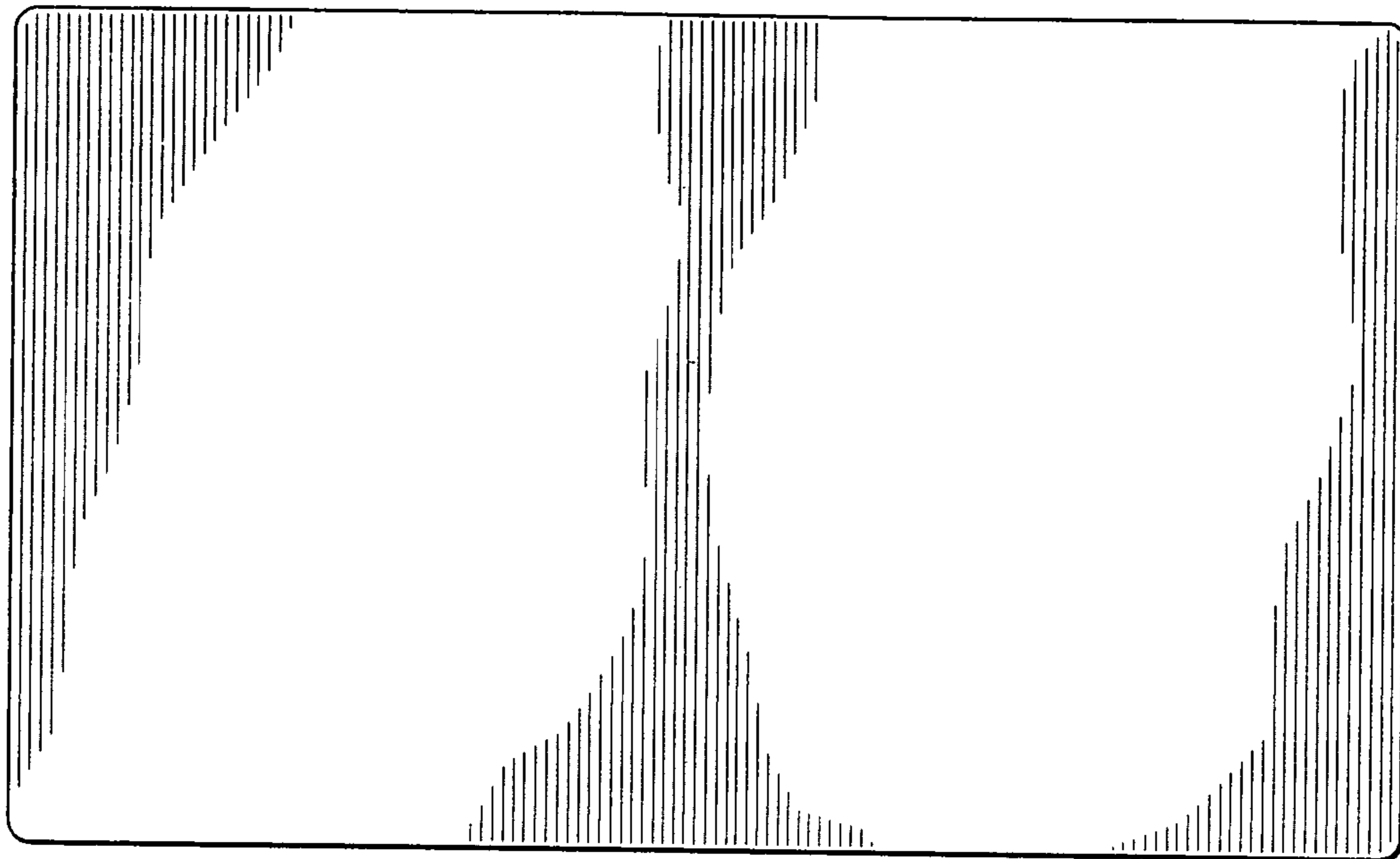


FIG. 7

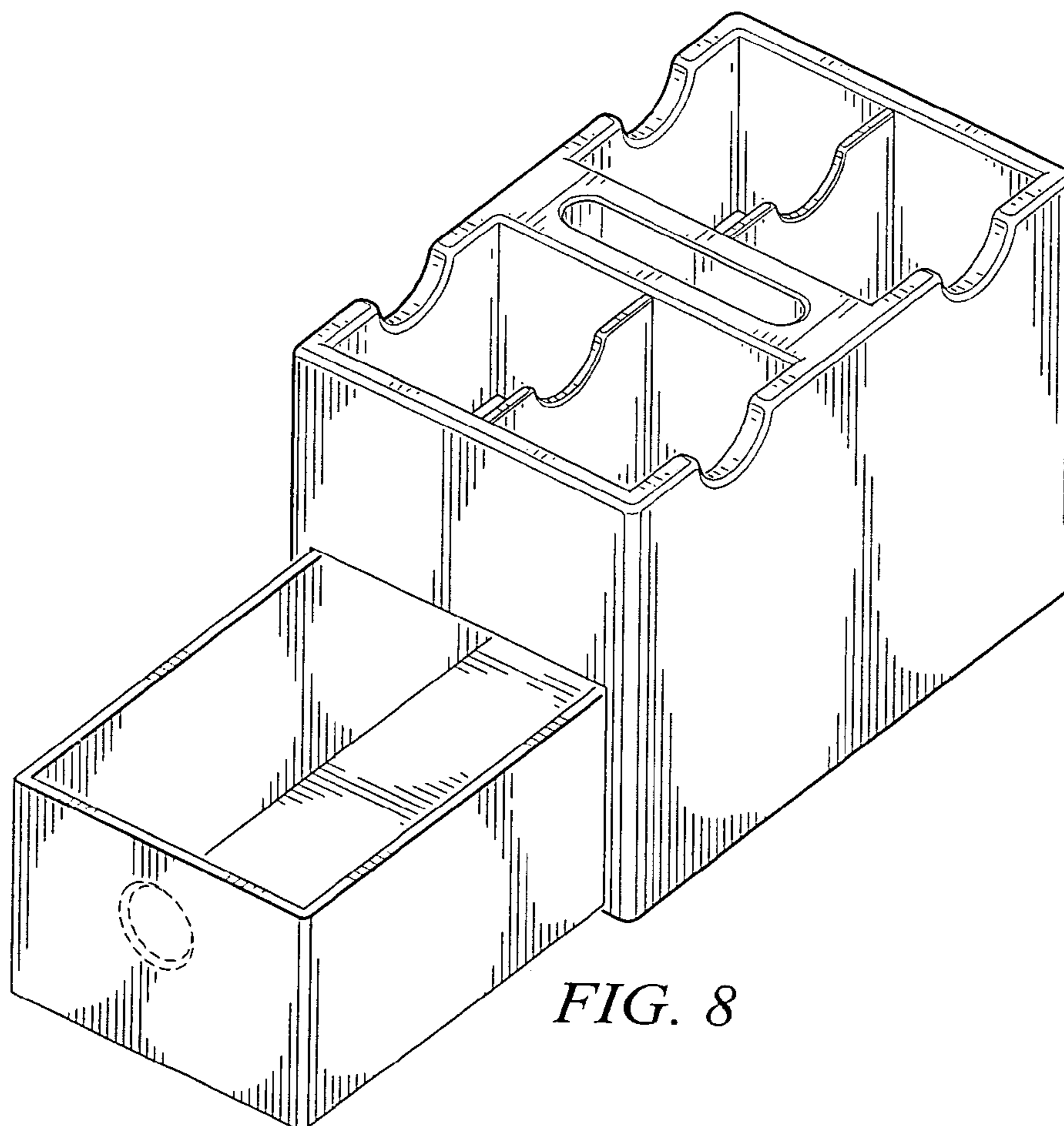


FIG. 8