



US00D549522S

(12) **United States Design Patent**
Tien

(10) **Patent No.:** **US D549,522 S**

(45) **Date of Patent:** **** Aug. 28, 2007**

(54) **MUG**

(76) **Inventor:** **Kuang-Hsia Tien**, 475 E. Duarte Rd.,
Monrovia, CA (US) 91016

(**) **Term:** **14 Years**

(21) **Appl. No.:** **29/259,505**

(22) **Filed:** **May 10, 2006**

(51) **LOC (8) Cl.** **07-01**

(52) **U.S. Cl.** **D7/510; D7/511; D7/536**

(58) **Field of Classification Search** **D7/510,**
D7/511, 536, 533; 219/689; 220/715, 710.5;
215/398; 99/317

See application file for complete search history.

(56) **References Cited**

U.S. PATENT DOCUMENTS

D202,643 S *	10/1965	Hoyt	D7/536
D243,911 S *	4/1977	Thorud	D7/536
D307,089 S *	4/1990	Lage	D7/536
D388,281 S *	12/1997	Trombley	D7/515
D394,187 S *	5/1998	Orrico et al.	D7/533
D406,985 S *	3/1999	Trombly	D7/536
5,884,551 A *	3/1999	Orrico et al.	99/317
D445,001 S *	7/2001	Lin	D7/510
D456,212 S *	4/2002	Bridges	D7/510
D477,968 S *	8/2003	Bin	D7/510

D480,603 S *	10/2003	Joss et al.	D7/535
6,755,120 B1 *	6/2004	Lin	99/323.3
D493,332 S *	7/2004	Bin	D7/510
D497,080 S *	10/2004	Greenspon	D7/510
D497,528 S *	10/2004	Harris	D8/34
6,997,104 B1 *	2/2006	Lin	99/323.3
D527,222 S *	8/2006	Liu	D7/510
7,217,908 B2 *	5/2007	Orrico et al.	219/689

* cited by examiner

Primary Examiner—M. N. Pandozzi

(74) *Attorney, Agent, or Firm*—Clement Cheng

(57) **CLAIM**

The ornamental design for a mug, as shown and described.

DESCRIPTION

FIG. 1 is a top, front, right side perspective view of a mug showing my new design;

FIG. 2 is a right side view;

FIG. 3 is a front view;

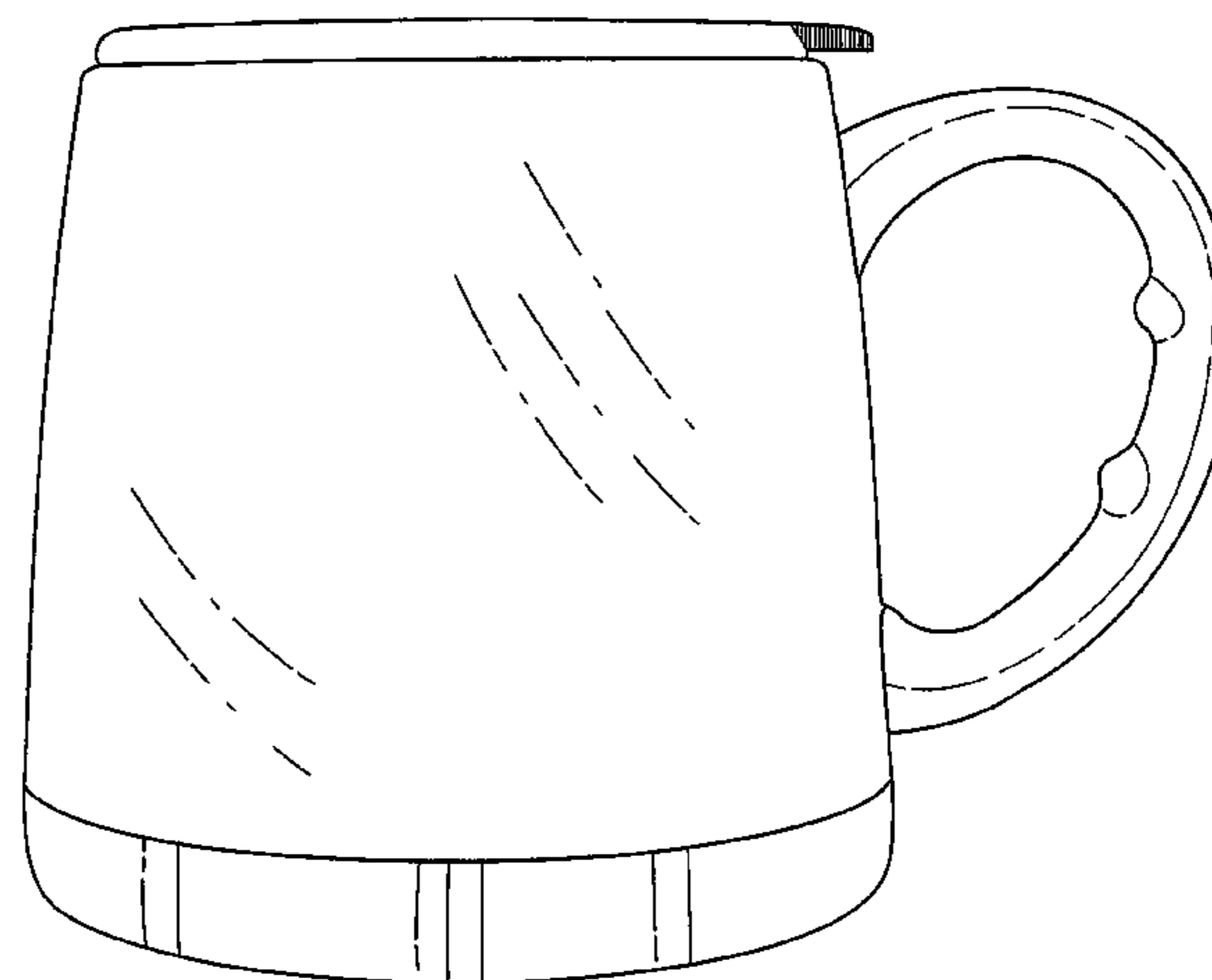
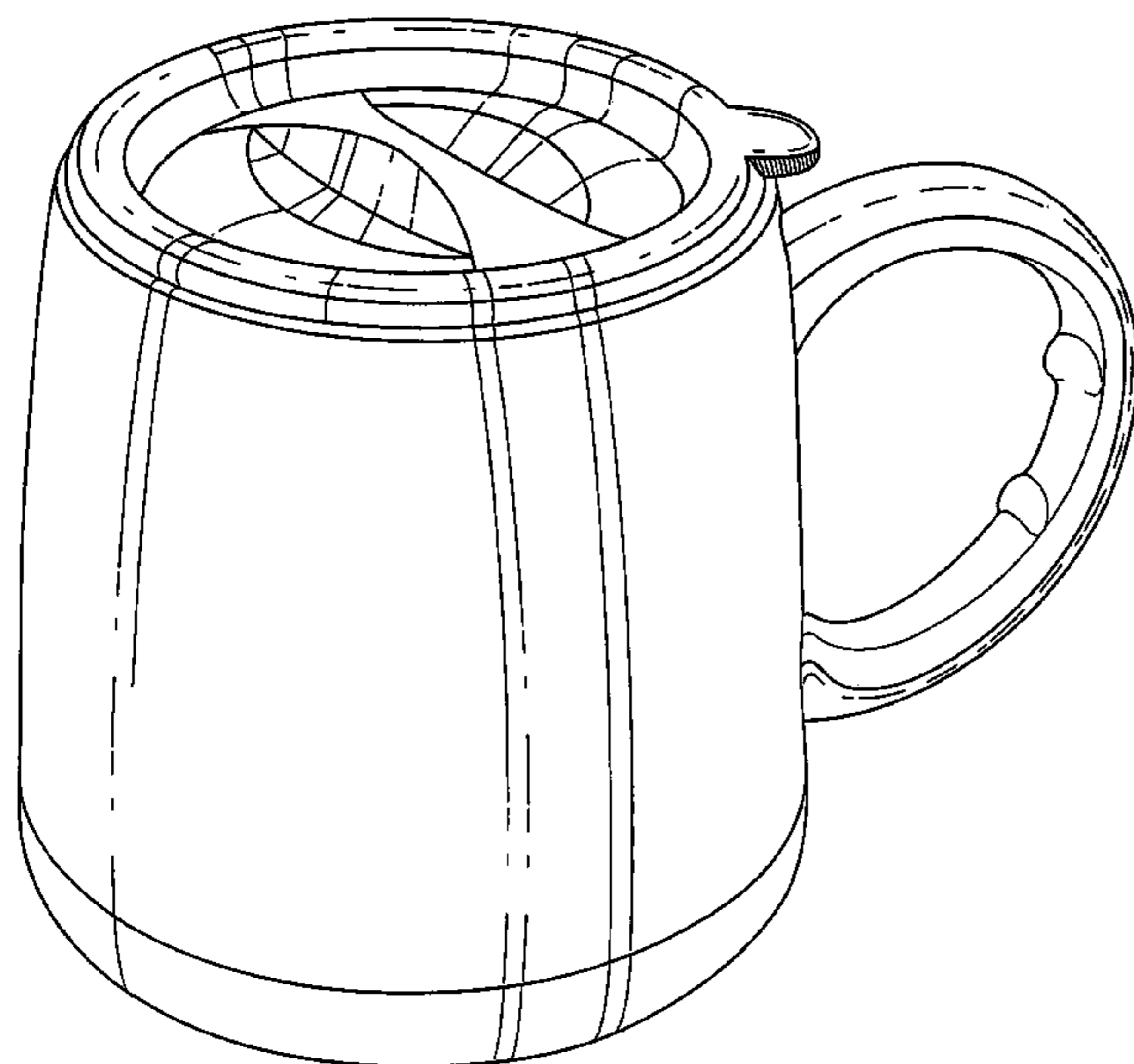
FIG. 4 is a left side view;

FIG. 5 is a rear side view;

FIG. 6 is a top view; and,

FIG. 7 is a bottom view.

1 Claim, 7 Drawing Sheets



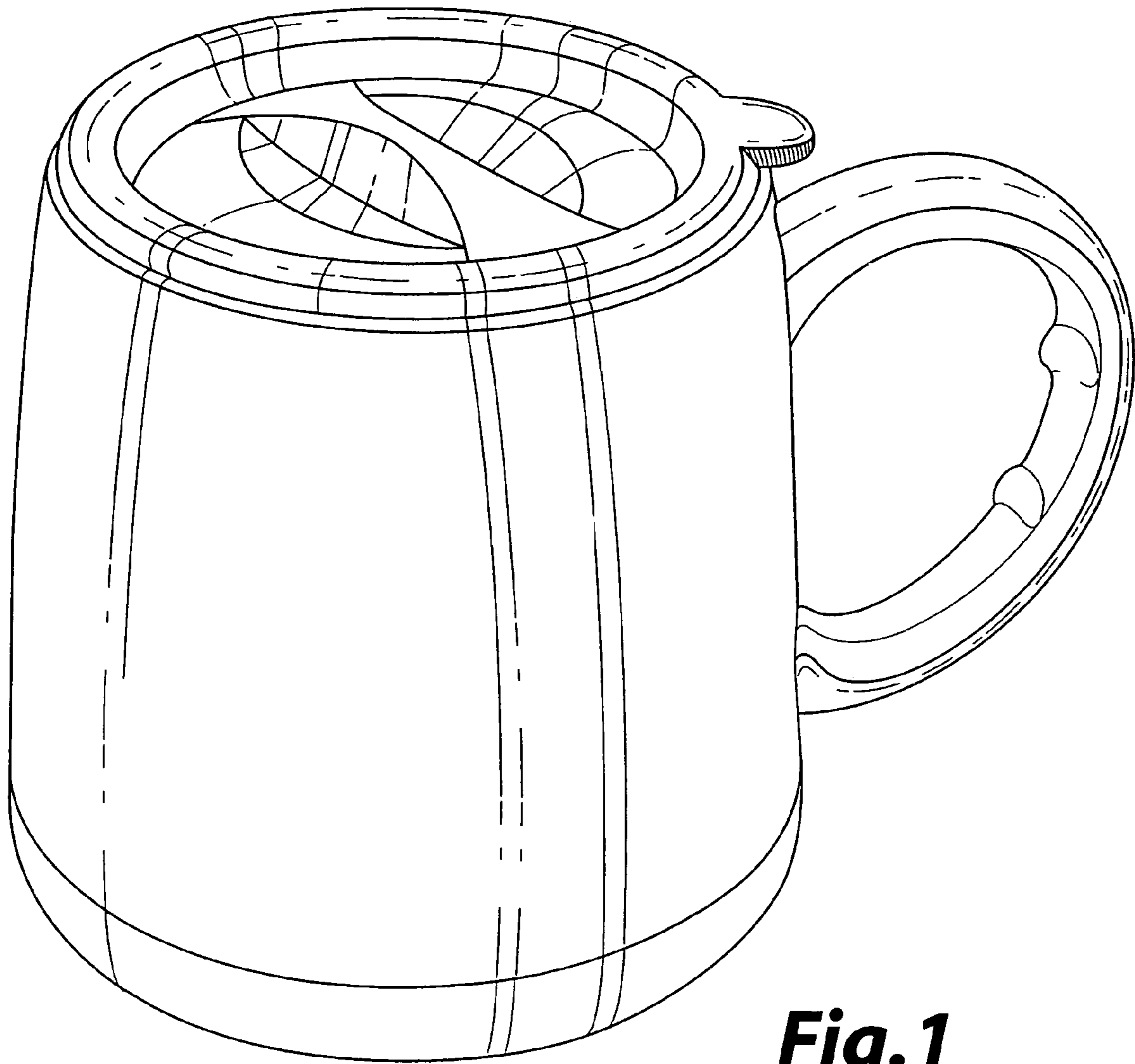


Fig. 1

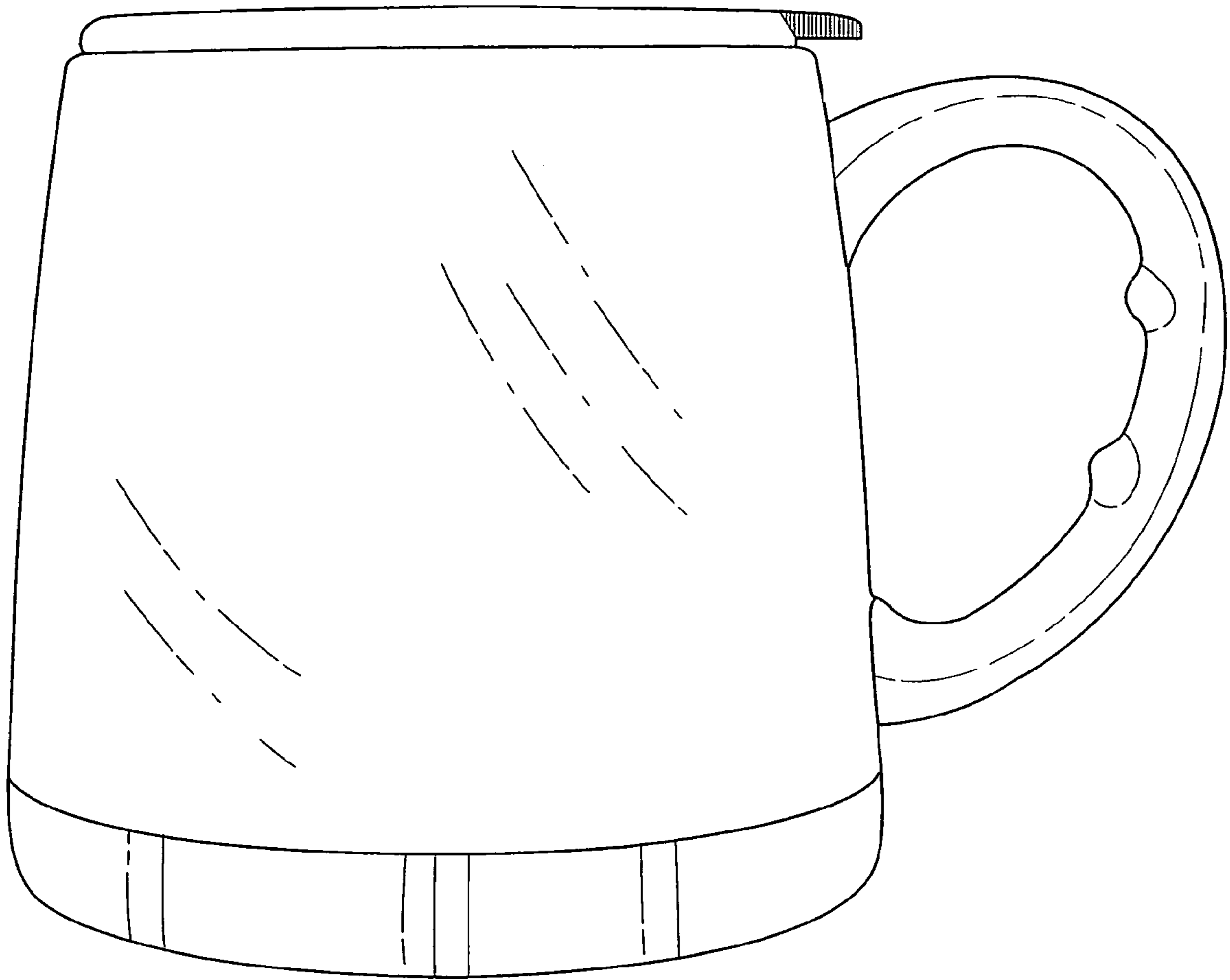


Fig.2

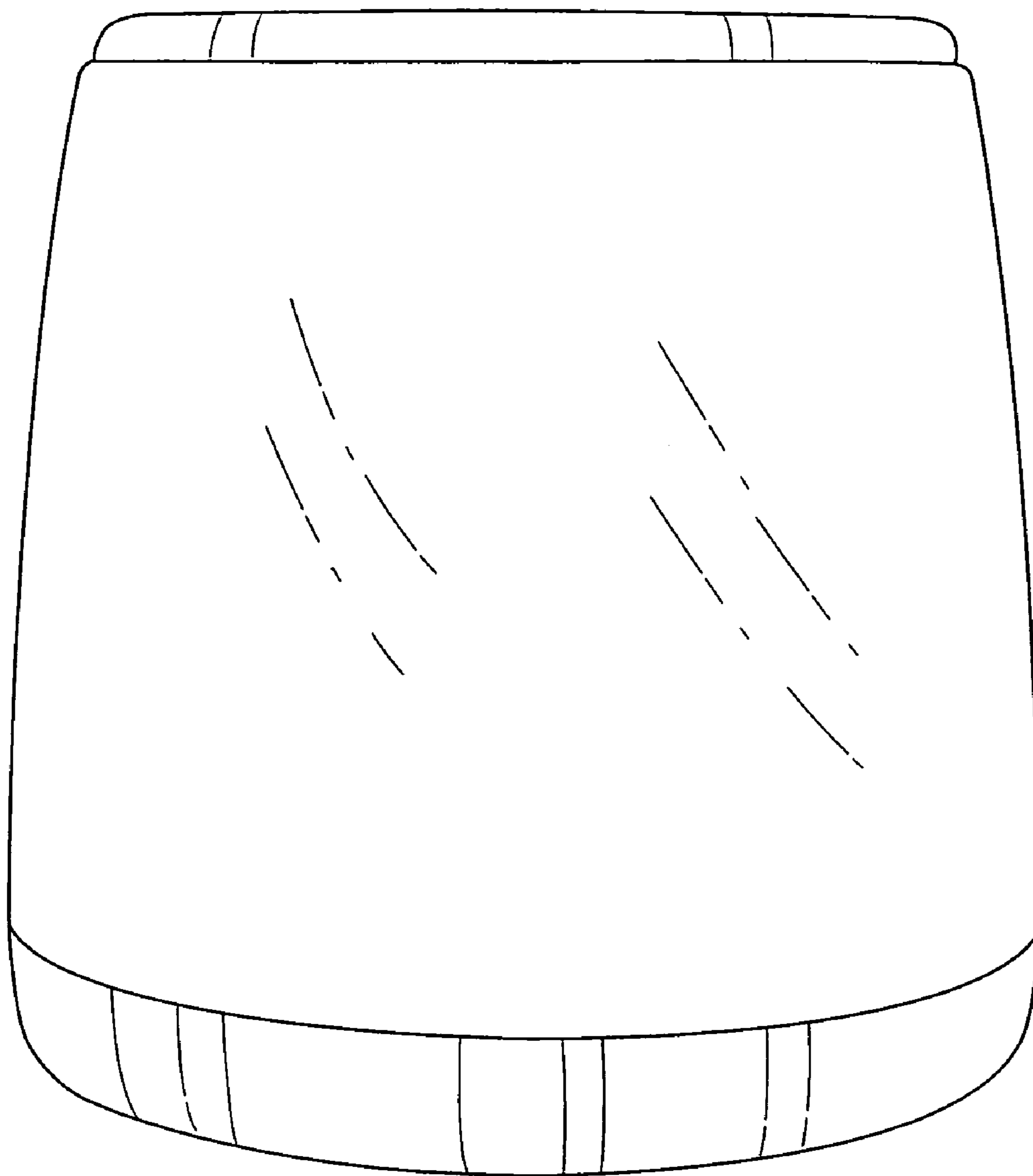


Fig.3

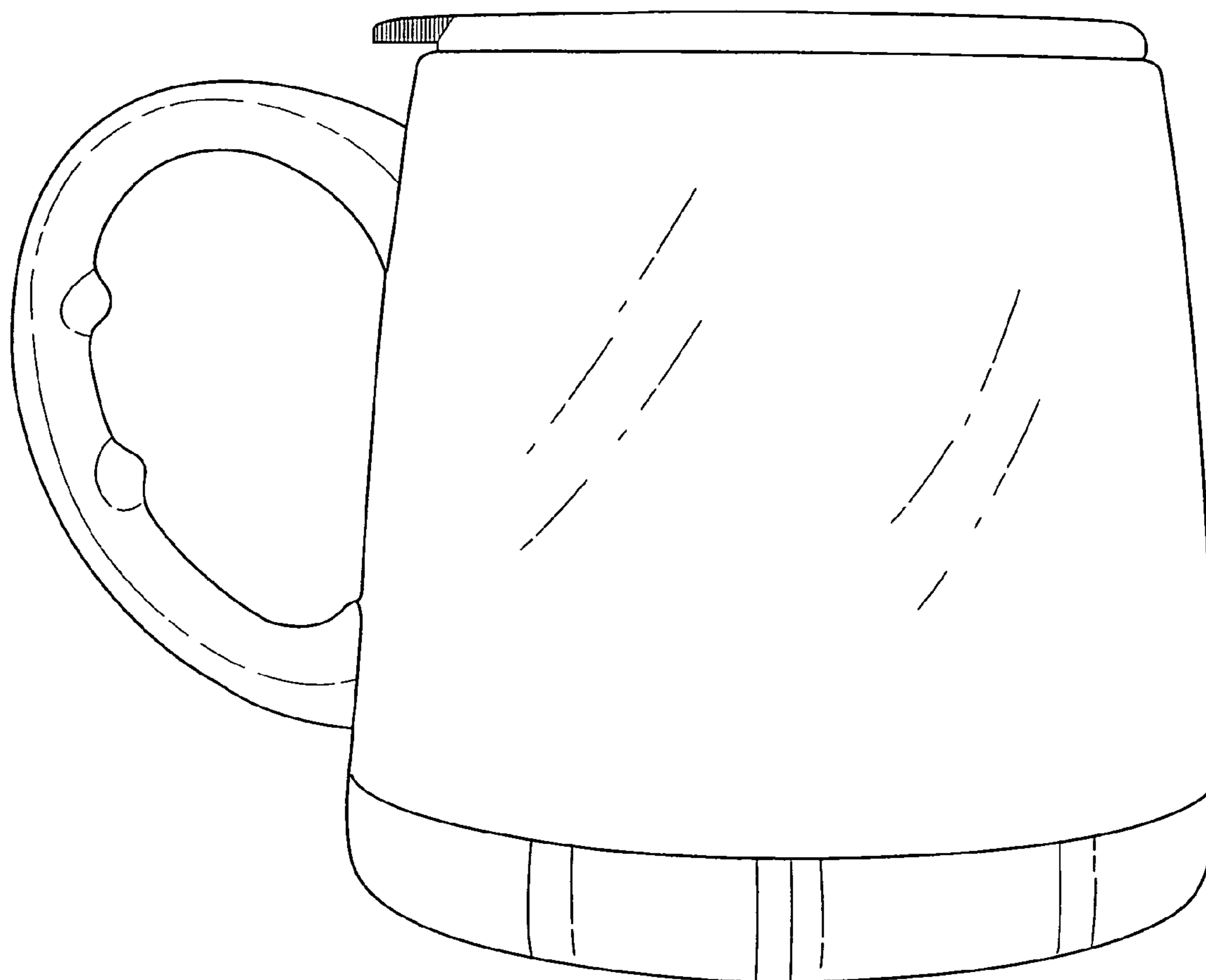


Fig.4

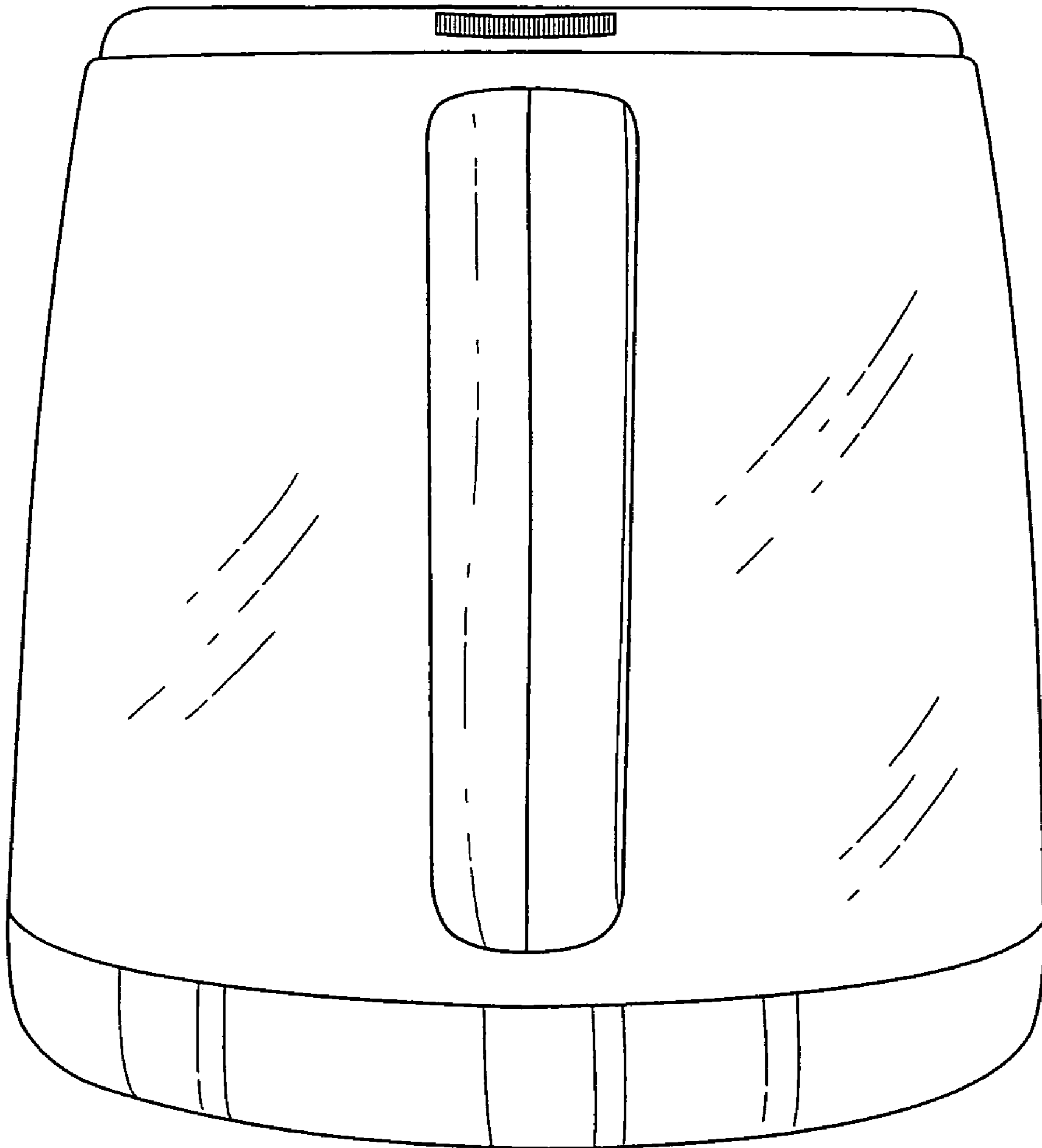


Fig.5

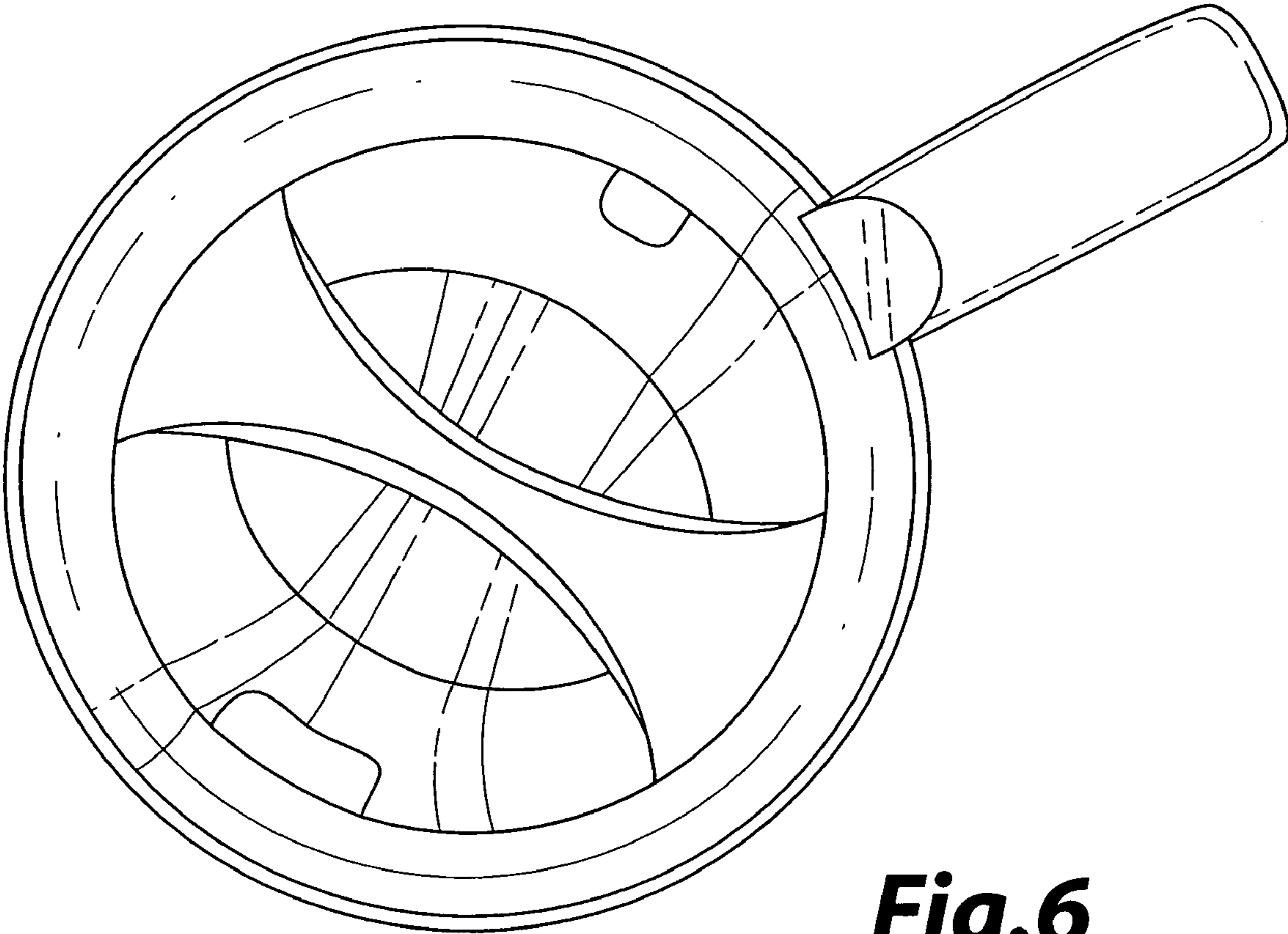


Fig.6

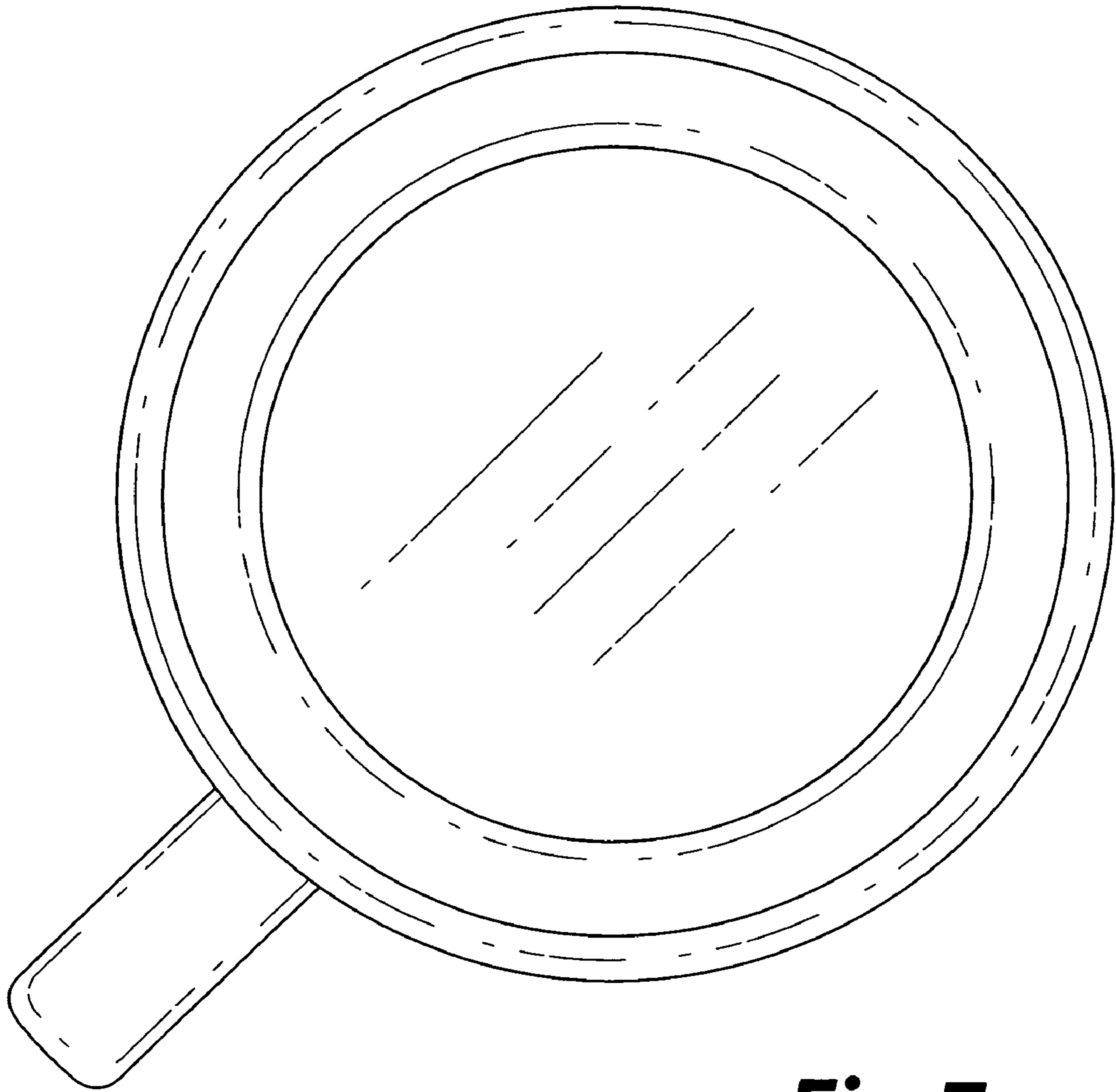


Fig.7