

US00D549521S

(12) **United States Design Patent**
McKenzie

(10) **Patent No.:** **US D549,521 S**

(45) **Date of Patent:** **** Aug. 28, 2007**

(54) **BARBEQUE UTILITY COVER**

(75) Inventor: **Stuart T. McKenzie**, Wyevale (CA)

(73) Assignee: **Wolfedale Engineering Limited**,
Brampton, Ontario (CA)

(**) Term: **14 Years**

(21) Appl. No.: **29/237,519**

(22) Filed: **Sep. 2, 2005**

(30) **Foreign Application Priority Data**

Mar. 4, 2005	(CA)	110257
Mar. 4, 2005	(CA)	110258
Mar. 4, 2005	(CA)	111801
Mar. 4, 2005	(CA)	111805
Mar. 4, 2005	(CA)	111818
Mar. 4, 2005	(CA)	111834
Mar. 4, 2005	(CA)	111867
Mar. 4, 2005	(CA)	111890
Jul. 8, 2005	(CA)	111821

(51) **LOC (8) Cl.** **07-02**

(52) **U.S. Cl.** **D7/402**

(58) **Field of Classification Search** D7/332,
D7/334-337, 402-405, 417; 126/25 R, 25 A,
126/25 AA, 25 B, 41 R, 50, 59, 59.5, 37 R,
126/9 R, 9 B, 29-30, 276, 332, 334; 211/215,
211/134-135, 153; 99/340, 481-482, 444;
426/314; 312/236; D8/300, 310
See application file for complete search history.

(56) **References Cited**

U.S. PATENT DOCUMENTS

164,190	A *	6/1875	Lamb	126/220
D29,440	S *	10/1898	Herr	D7/402
913,149	A *	2/1909	McNulty	126/39 H
1,181,138	A *	5/1916	Herzberger	126/39 J
1,187,009	A *	6/1916	Pickup	126/9 R
1,187,037	A *	6/1916	Burd	126/214 R
1,420,043	A *	6/1922	Lasbury	126/9 R

1,545,494	A *	7/1925	Holl	126/9 R
3,538,908	A *	11/1970	Reid et al.	126/39 J
D377,734	S	2/1997	Bird et al.		
D435,396	S	12/2000	Wagner		
D436,004	S	1/2001	Wagner		
D454,031	S *	3/2002	Crookshanks	D7/402
D462,234	S	9/2002	Alden et al.		
D470,357	S	2/2003	Home		
D472,422	S	4/2003	Pai		
D472,756	S	4/2003	Pai		
D508,366	S *	8/2005	Wilsdorf	D7/346
D521,308	S	5/2006	Tseng		
2002/0020303	A1	2/2002	Johnson		
2002/0020405	A1	2/2002	Coleman et al.		
2003/0029436	A1	2/2003	Carden et al.		
2004/0154608	A1	8/2004	Ward et al.		

* cited by examiner

Primary Examiner—Ruth McInroy

(74) *Attorney, Agent, or Firm*—McCarthy Tetrault LLP;
Christopher N. Hunter

(57) **CLAIM**

I claim the ornamental design for a barbecue utility cover, as shown and described.

DESCRIPTION

FIG. 1 is an isometric view of a first variant of the barbecue utility cover.

FIG. 2 is an isometric view of the barbecue utility cover of FIG. 1 showing the cover in an open position;

FIG. 3 is a top view of the barbecue utility cover of FIG. 1;

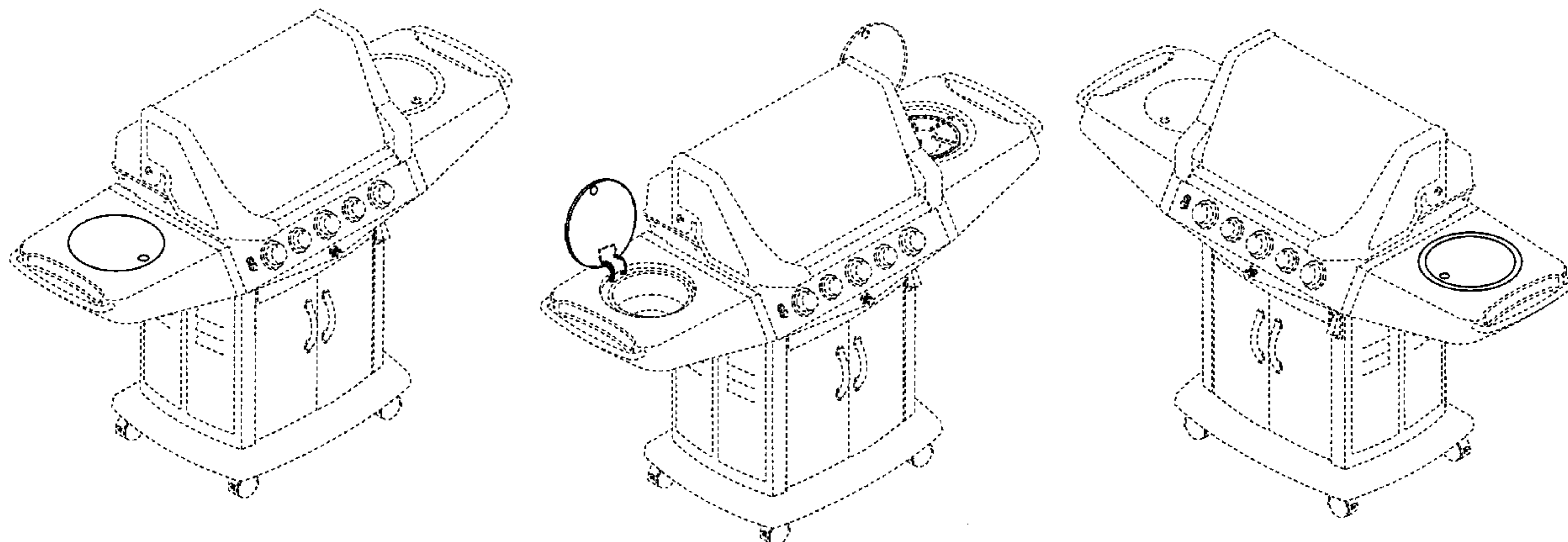
FIG. 4 is an isometric view of a second variant of the barbecue utility cover;

FIG. 5 is an isometric view of the barbecue utility cover of FIG. 4 showing the cover in an open position; and,

FIG. 6 is a top view of the barbecue utility cover of FIG. 4.

The details shown in broken lines form no part of the claimed design.

1 Claim, 6 Drawing Sheets



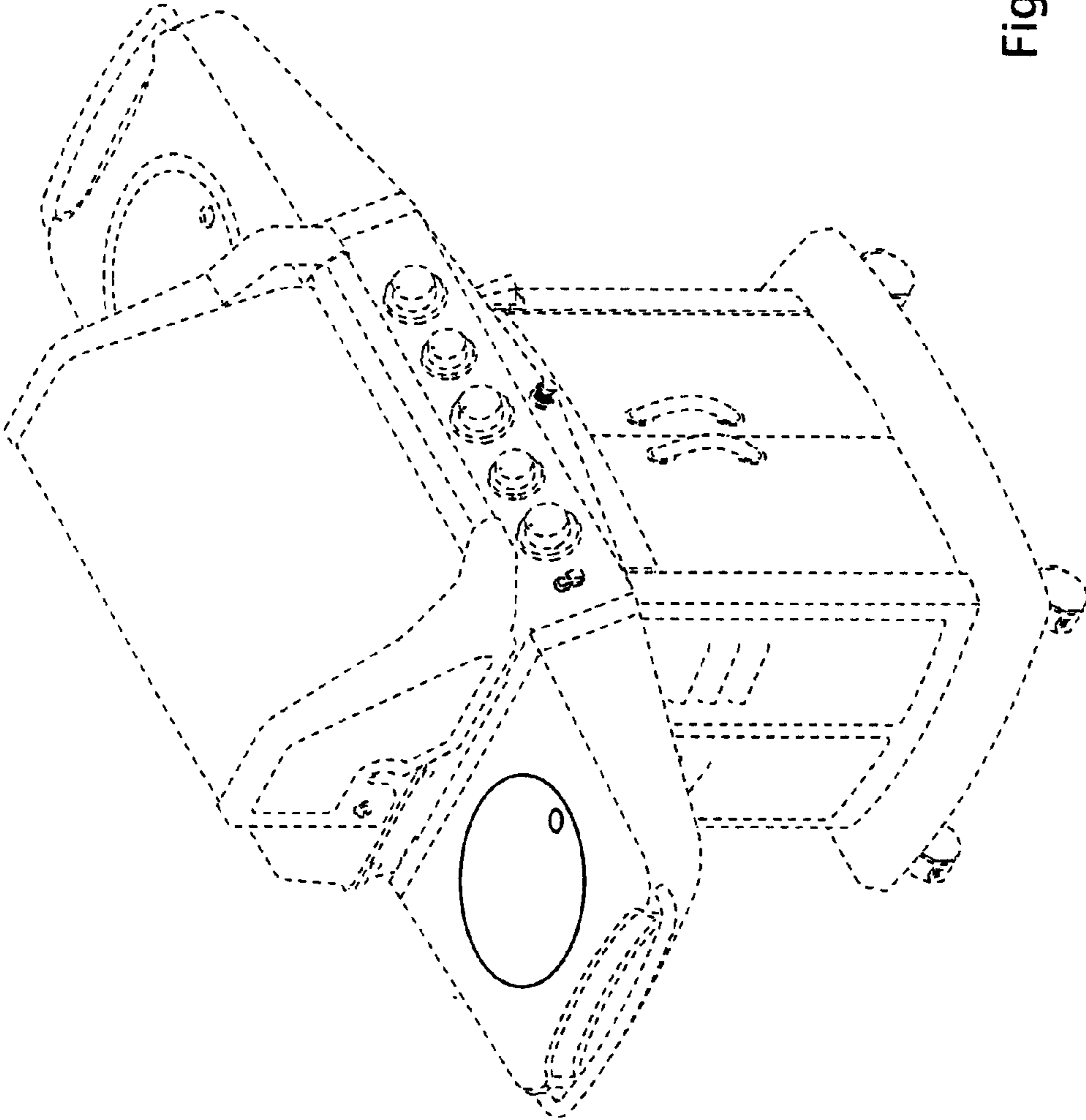


Figure 1

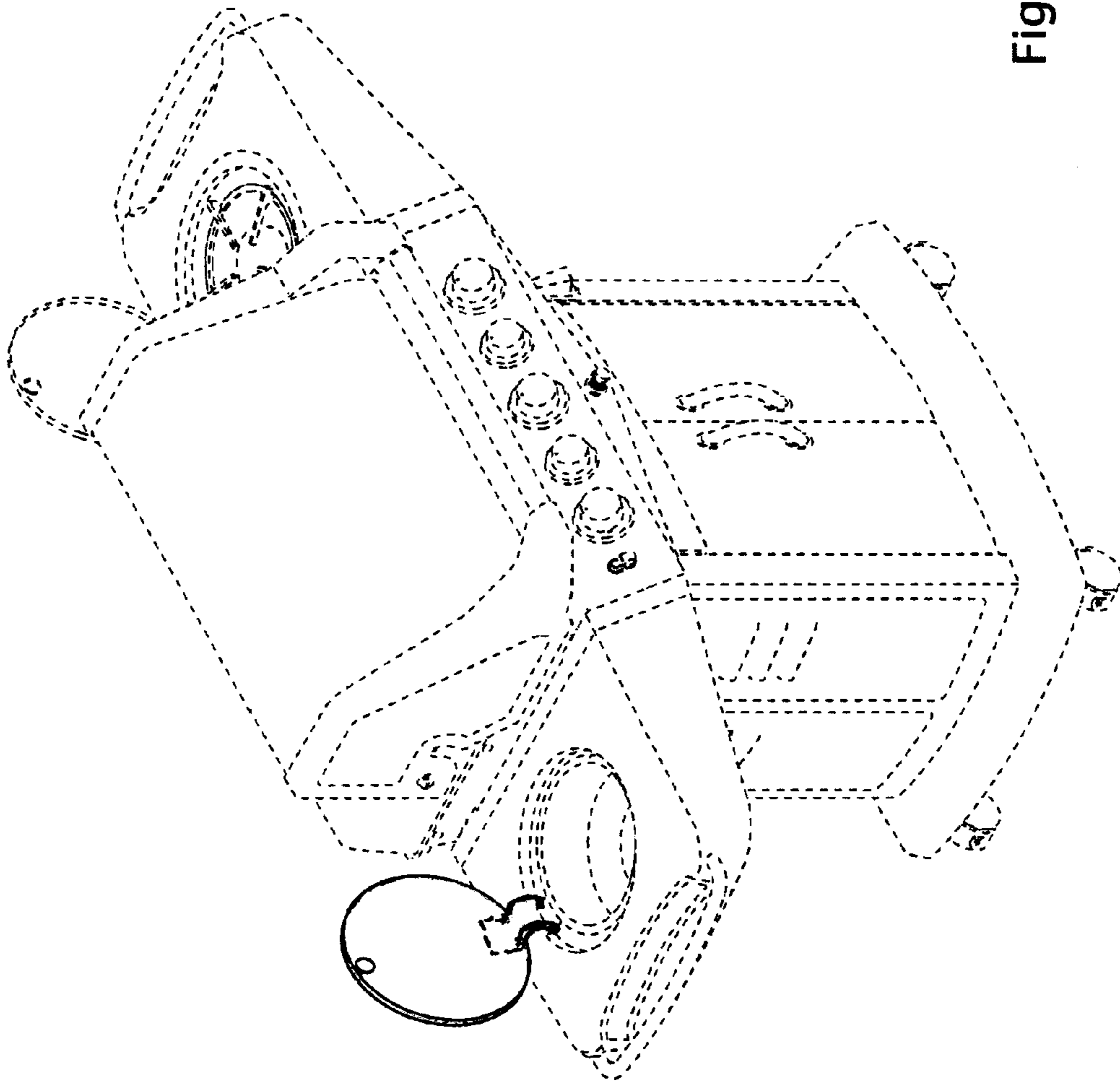


Figure 2

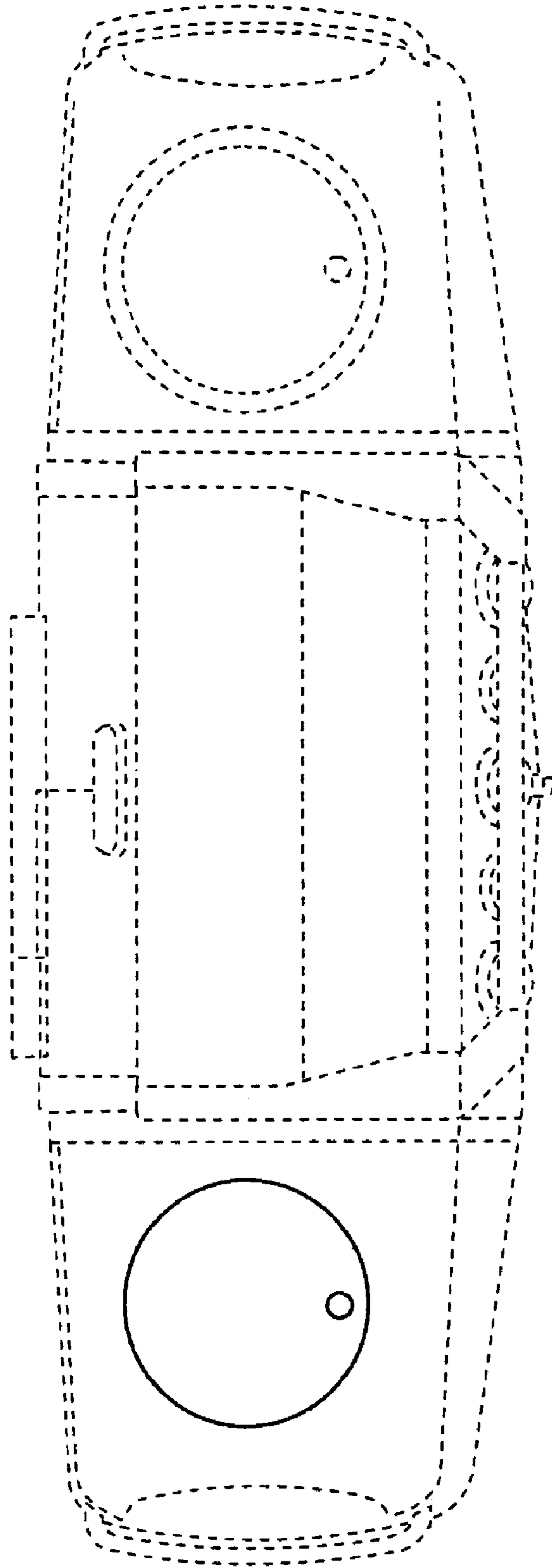


Figure 3

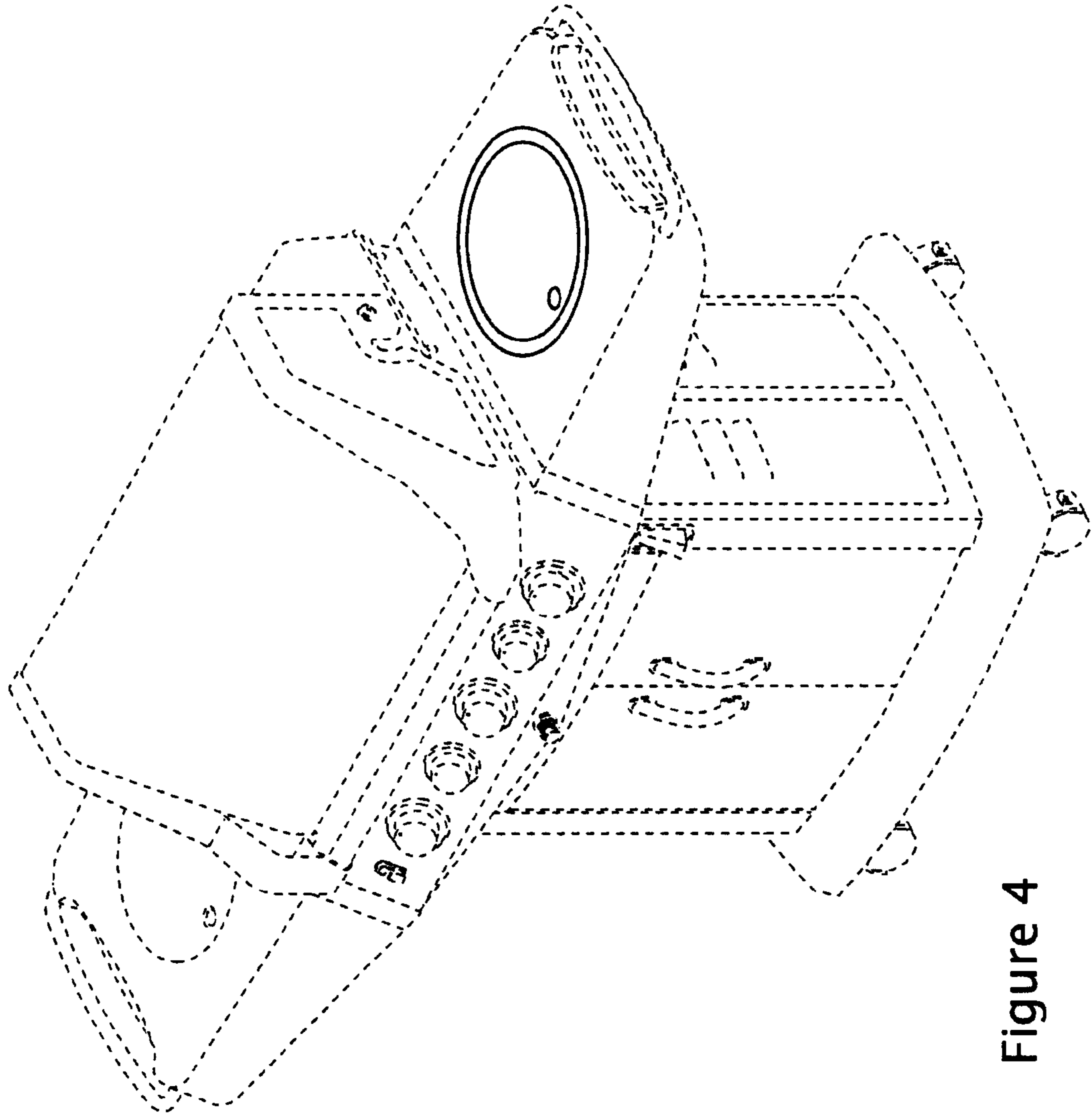


Figure 4

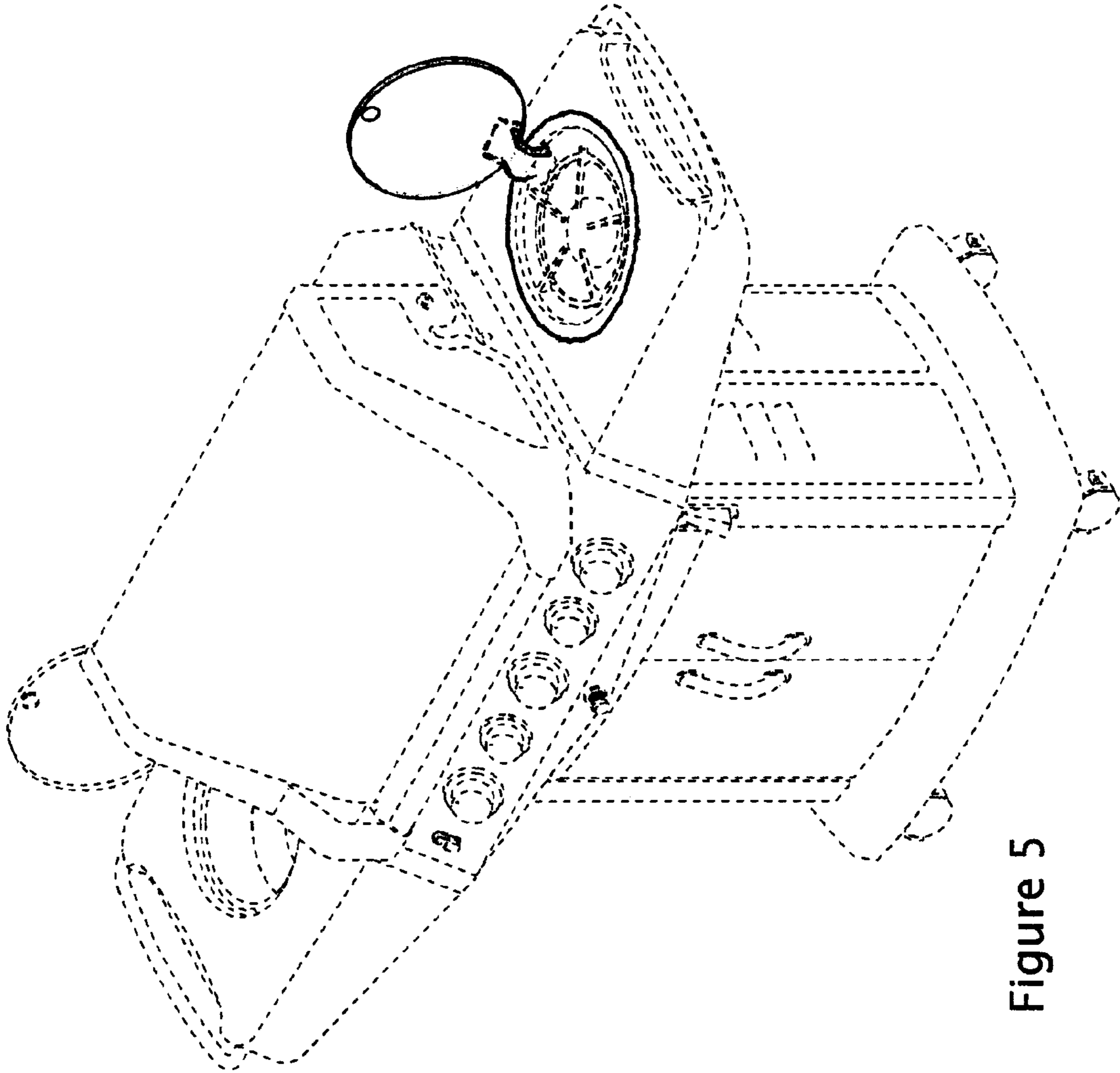


Figure 5

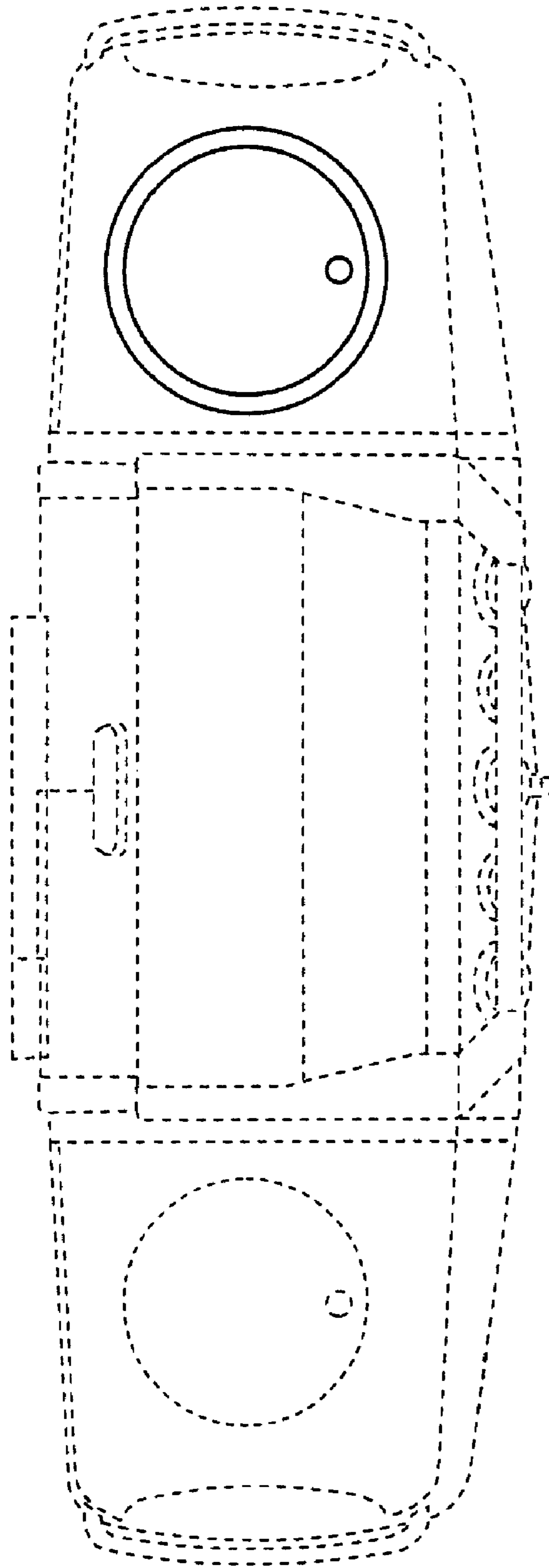


Figure 6

UNITED STATES PATENT AND TRADEMARK OFFICE
CERTIFICATE OF CORRECTION

PATENT NO. : Des. 549,521 S
APPLICATION NO. : 29/237519
DATED : August 28, 2007
INVENTOR(S) : Stuart T. McKenzie

Page 1 of 1

It is certified that error appears in the above-identified patent and that said Letters Patent is hereby corrected as shown below:

On the Patent Title Page please amend the information under heading (30) Foreign Application Priority Data as follows:

Mar. 4, 2005 (CA)110257
Mar. 4, 2005 (CA)110258
Jul. 8, 2005 (CA)111801
Jul. 8, 2005 (CA)111805
Jul. 8, 2005 (CA)111818
Jul. 8, 2005 (CA)111834
Jul. 8, 2005 (CA)111867
Jul. 8, 2005 (CA)111890
Jul. 8, 2005 (CA)111821

Signed and Sealed this

Sixth Day of May, 2008



JON W. DUDAS
Director of the United States Patent and Trademark Office