



US00D549520S

(12) **United States Design Patent**
Brady et al.

(10) **Patent No.:** **US D549,520 S**
(45) **Date of Patent:** **** Aug. 28, 2007**

(54) **COFFEE MAKER BASE**

(75) Inventors: **Martin P. Brady**, Richmond, VA (US);
Mark C. Steiner, Richmond, VA (US)

(73) Assignee: **Hamilton Beach/Proctor-Silex**, Glen
Allen, VA (US)

(**) Term: **14 Years**

(21) Appl. No.: **29/250,392**

(22) Filed: **Nov. 13, 2006**

- D248,721 S 8/1978 Sato et al.
- D253,572 S 12/1979 Rinaldi
- D255,529 S 6/1980 Dziekonski
- D265,041 S 6/1982 Lee et al.
- D269,488 S 6/1983 Marotta
- D274,400 S 6/1984 Muller
- D277,539 S 2/1985 Elkerbout
- D283,969 S 5/1986 Sastre
- D286,127 S 10/1986 Sastre
- D287,212 S 12/1986 Daugherty
- D288,517 S 3/1987 Kahlcke
- D288,885 S 3/1987 Kahlcke
- D291,765 S 9/1987 Takada et al.
- D295,360 S 4/1988 Pandolfi
- D300,596 S 4/1989 Eugster

Related U.S. Application Data

(63) Continuation of application No. 29/255,293, filed on
Mar. 7, 2006, now Pat. No. Des. 531,855, which is a
continuation of application No. 29/225,645, filed on
Mar. 18, 2005, now Pat. No. Des. 526,523.

(51) **LOC (8) Cl.** **07-01**

(52) **U.S. Cl.** **D7/399; D7/311; D7/397**

(58) **Field of Classification Search** D7/279,
D7/300, 306–311, 367, 387, 397–99, 366,
D7/401.1, 589; D9/436; D10/6; D13/162;
D14/486, 487; D18/18, 56; D20/1, 4, 8,
D20/9; D21/370, 385; D23/238; 221/122,
221/133, 370, 385; 222/129.1–129.4, 133,
222/144, 146.6, 566; 248/174; 368/10;
463/6, 18, 20, 25; D6/474; 62/342; 99/275,
99/281, 279, 282, 305–307, 290, 323.3, 432;
219/432, 146.6, 433

See application file for complete search history.

(56) **References Cited**

U.S. PATENT DOCUMENTS

- D243,499 S 3/1977 Julkenbeck
- D245,163 S 7/1977 George
- D248,159 S 6/1978 Maejima
- D248,720 S 8/1978 Sato et al.

(Continued)

Primary Examiner—M. N. Pandozzi
Assistant Examiner—Cynthia Underwood
(74) *Attorney, Agent, or Firm*—John H. Thomas, P.C.

(57) **CLAIM**

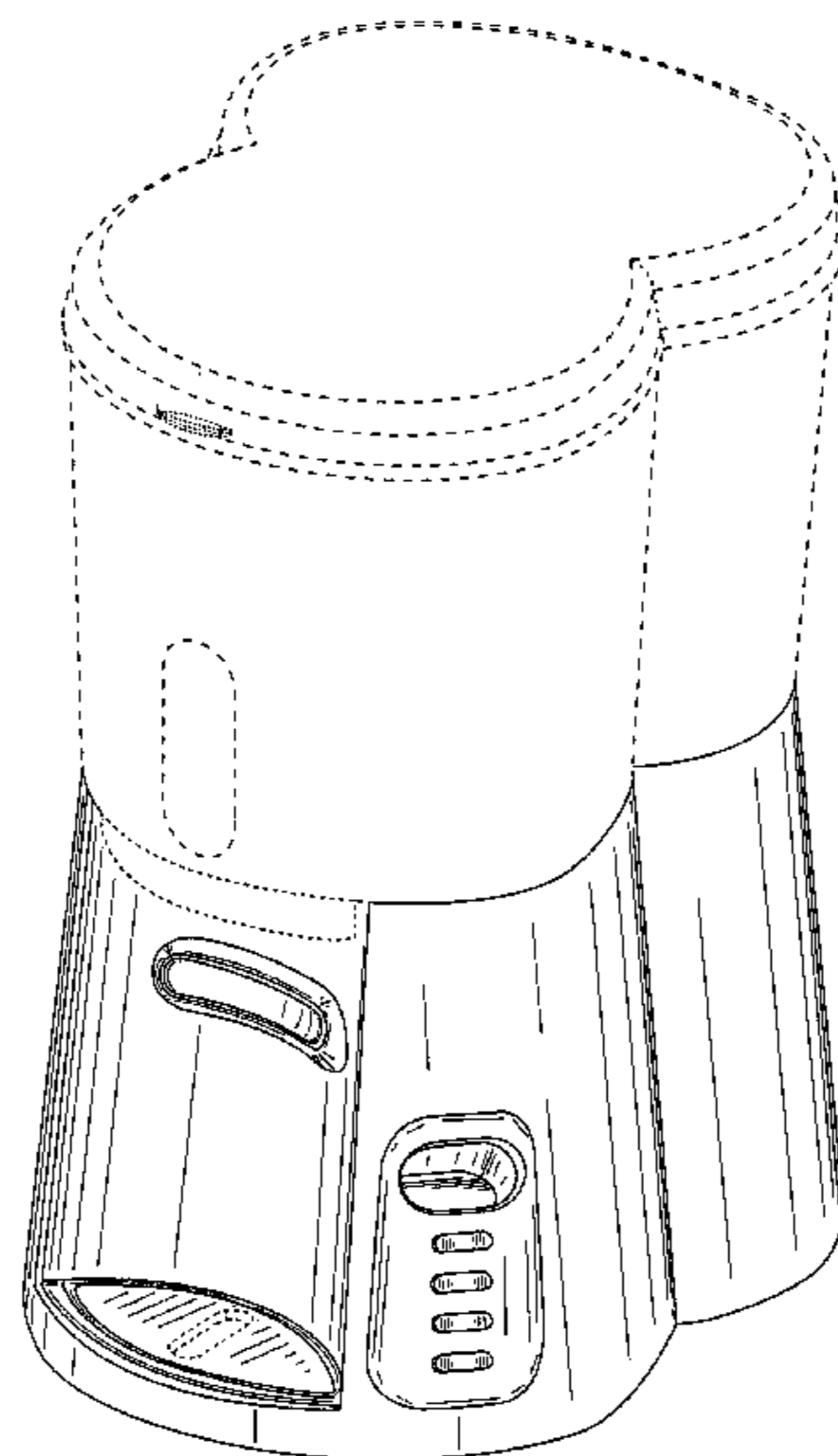
I claim the ornamental design for a coffee maker base, as
shown and described.

DESCRIPTION

FIG. 1 is a perspective view as seen from the top, front and
right side of a coffee maker base showing the new design;
FIG. 2 is a front elevational view thereof;
FIG. 3 is a rear elevational view thereof;
FIG. 4 is a right side elevational view thereof;
FIG. 5 is a left side elevational thereof;
FIG. 6 is a top plan view thereof; and,
FIG. 7 is a bottom view thereof.

Specific features shown in broken lines do not form any part
of or otherwise limit the claimed design.

1 Claim, 7 Drawing Sheets



US D549,520 S

Page 2

U.S. PATENT DOCUMENTS

D300,597 S	4/1989	Pandolfi	D424,360 S	5/2000	Schwarz et al.
D303,903 S	10/1989	Yoshiaki et al.	D430,771 S	9/2000	Saltet
D310,613 S	9/1990	Wu	D432,848 S	10/2000	Brady et al.
D317,996 S	7/1991	Jack	D432,849 S	10/2000	Brady et al.
D319,167 S	8/1991	Adams et al.	D432,850 S	10/2000	Saltet
D331,347 S	12/1992	Dingelstad et al.	D437,173 S	2/2001	Naft et al.
5,231,918 A *	8/1993	Grzywna 99/295	D444,985 S	7/2001	Wu
D339,711 S	9/1993	Precht et al.	D445,292 S	7/2001	Sowden
D342,639 S	12/1993	Ullman	D445,627 S	7/2001	Naft et al.
D344,656 S	3/1994	De Felip	D446,988 S	8/2001	Lothrop et al.
D345,279 S	3/1994	Sieger	D446,990 S	8/2001	Prat
D346,298 S	4/1994	Brady et al.	D447,903 S	9/2001	Lin
D347,350 S	5/1994	Ullmann	D449,196 S	10/2001	Bouhuys et al.
D355,561 S	2/1995	Ullman	6,324,964 B1 *	12/2001	Niederberger et al. 99/287
D356,465 S	3/1995	Classen	D454,466 S	3/2002	Hong
D359,195 S	6/1995	Mukai et al.	D457,376 S	5/2002	Lin
5,485,778 A	1/1996	Ullmann	D478,242 S	8/2003	Garman
D369,268 S	4/1996	Assmann et al.	D478,461 S	8/2003	Hoard
D371,270 S	7/1996	Bell et al.	D479,088 S	9/2003	Yao
D373,281 S	9/1996	Simmons	D483,214 S	12/2003	Holderfield et al.
D386,039 S	11/1997	Dingelstad	D485,728 S	1/2004	Sham et al.
D387,945 S	12/1997	Hippen	6,685,059 B2 *	2/2004	Jones et al. 222/129.1
D387,946 S	12/1997	Hippen	D488,949 S	4/2004	Moisan
D397,904 S	9/1998	De'Longhi	D502,628 S	3/2005	Ledingham et al.
D398,473 S	9/1998	Henderson	D509,986 S	9/2005	O'Neill et al.
D400,045 S	10/1998	Schade	D513,572 S	1/2006	Schaffeld et al.
D402,153 S	12/1998	Saltet	7,017,472 B2 *	3/2006	Grant et al. 99/282
D407,262 S	3/1999	Dingelstad	D522,792 S *	6/2006	Koitzsch et al. D7/309
D407,596 S	4/1999	Hsu	D526,523 S *	8/2006	Steiner et al. D7/309
D408,208 S	4/1999	Hsu	7,089,849 B2 *	8/2006	Chen et al. 99/290
D408,680 S	4/1999	Lin	D531,855 S *	11/2006	Steiner et al. D7/399
D418,357 S	1/2000	Lin	2005/0076787 A1 *	4/2005	Grant et al. 99/279
6,009,793 A	1/2000	Blankenship et al.	2006/0201329 A1 *	9/2006	Lynch 99/275

* cited by examiner

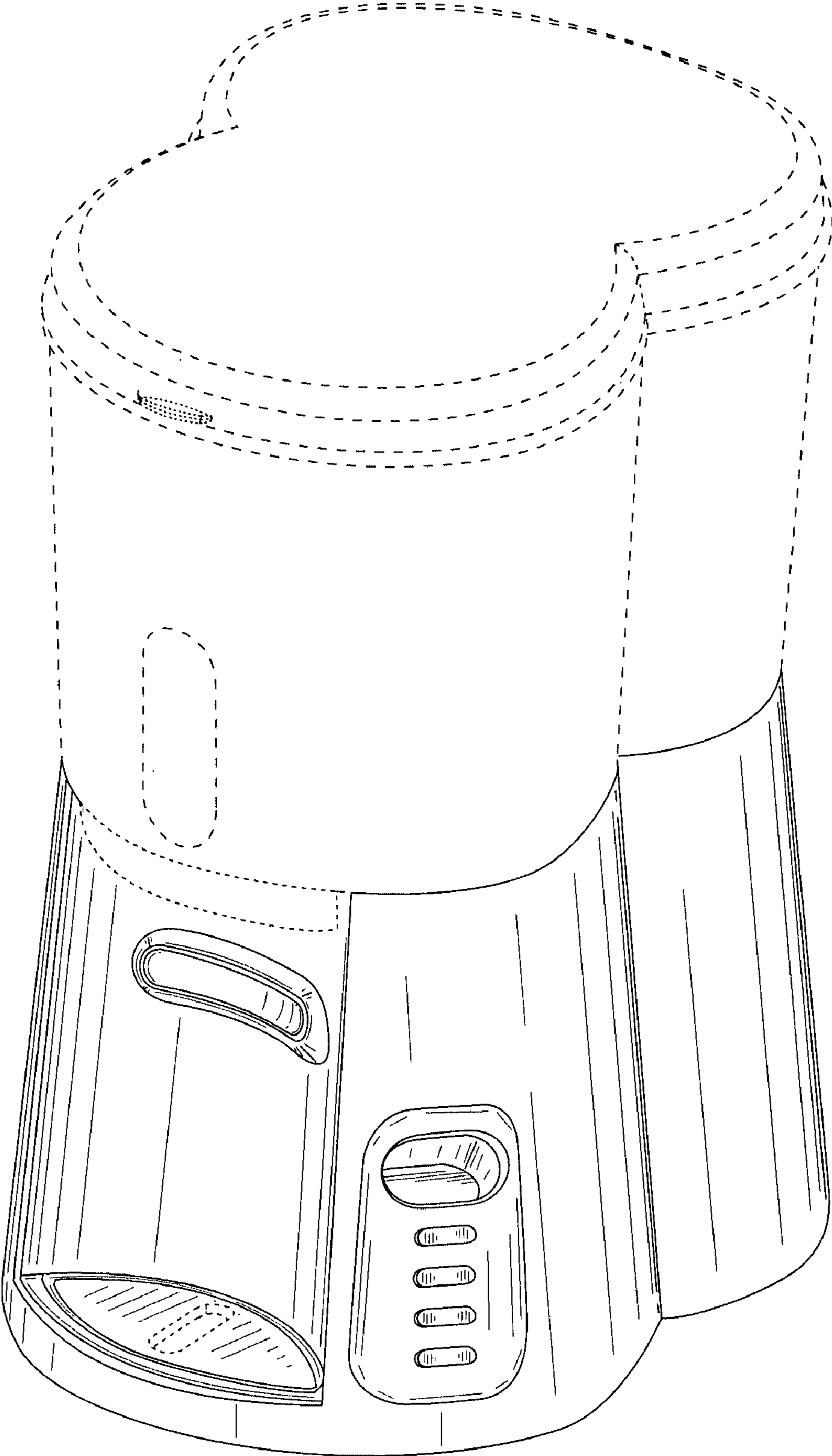


FIG. 1

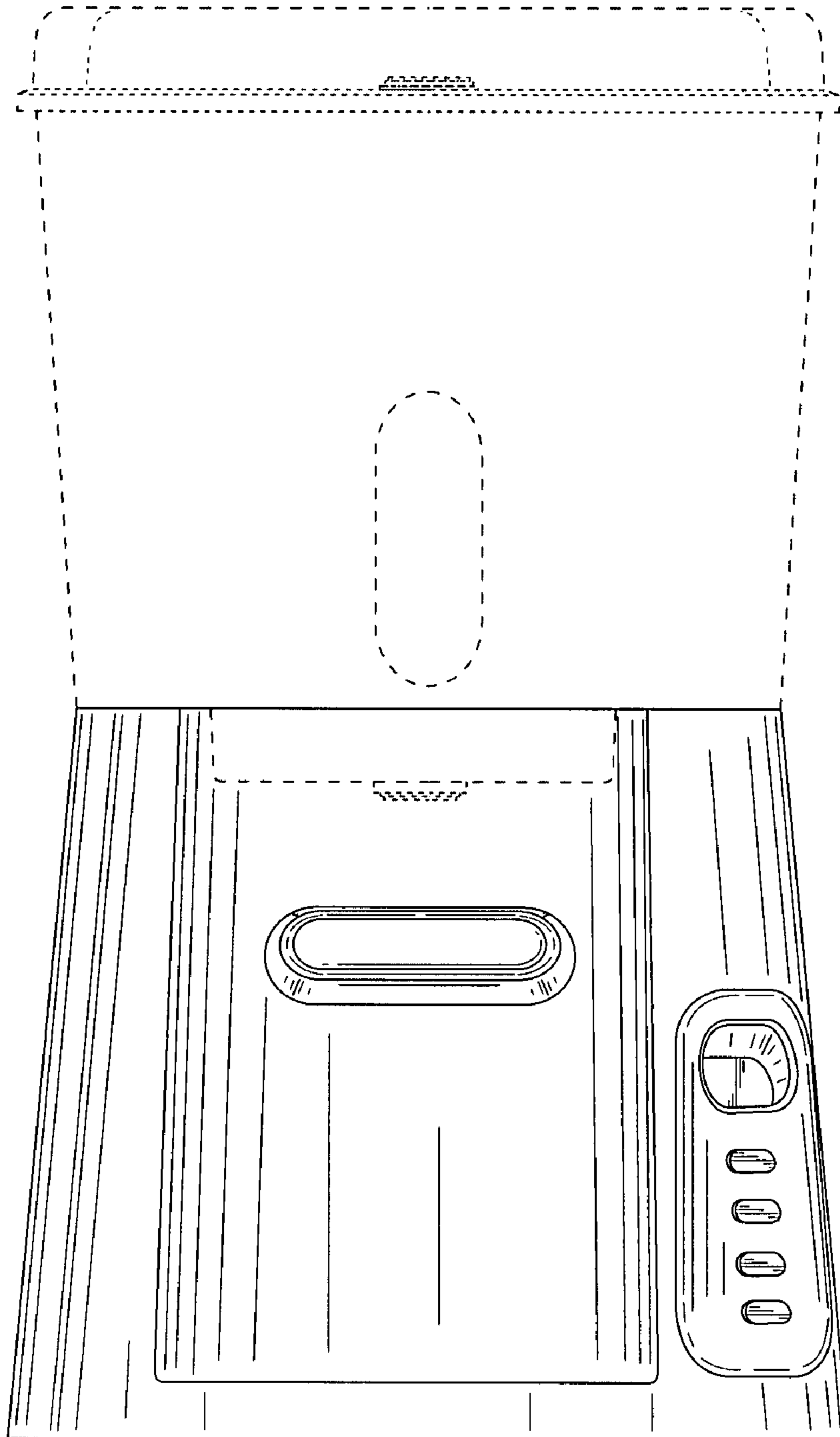


FIG. 2

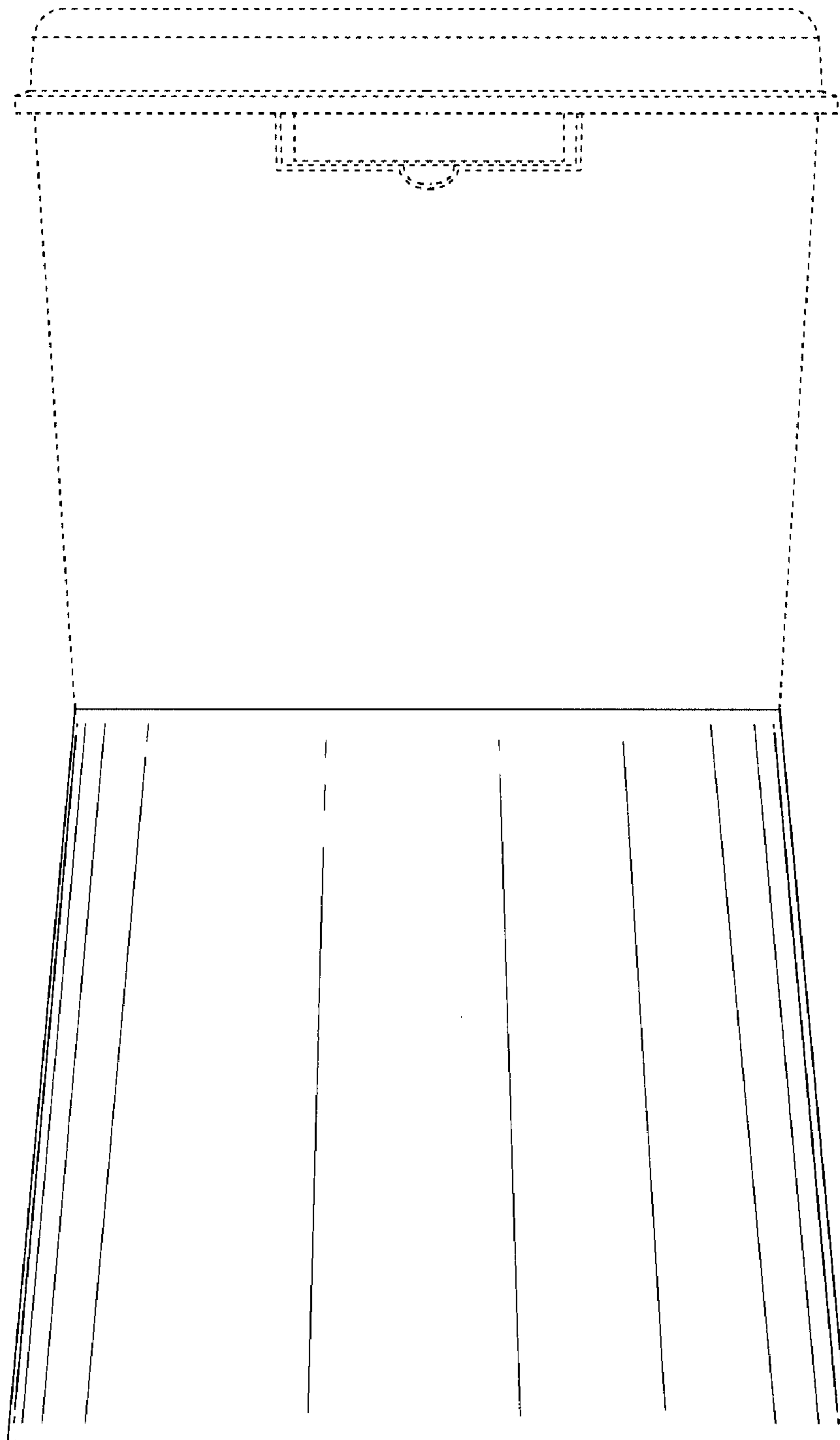


FIG. 3

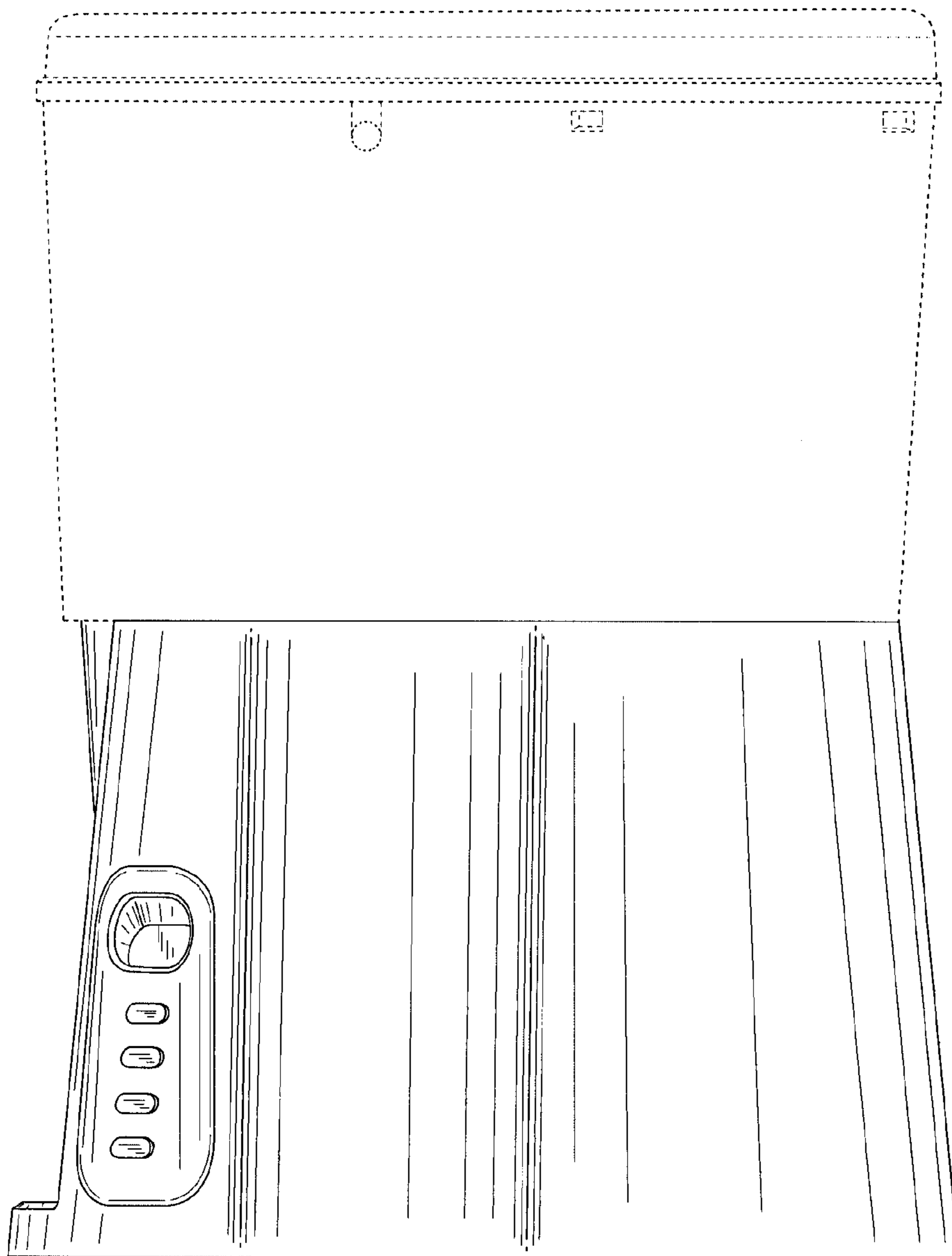


FIG. 4

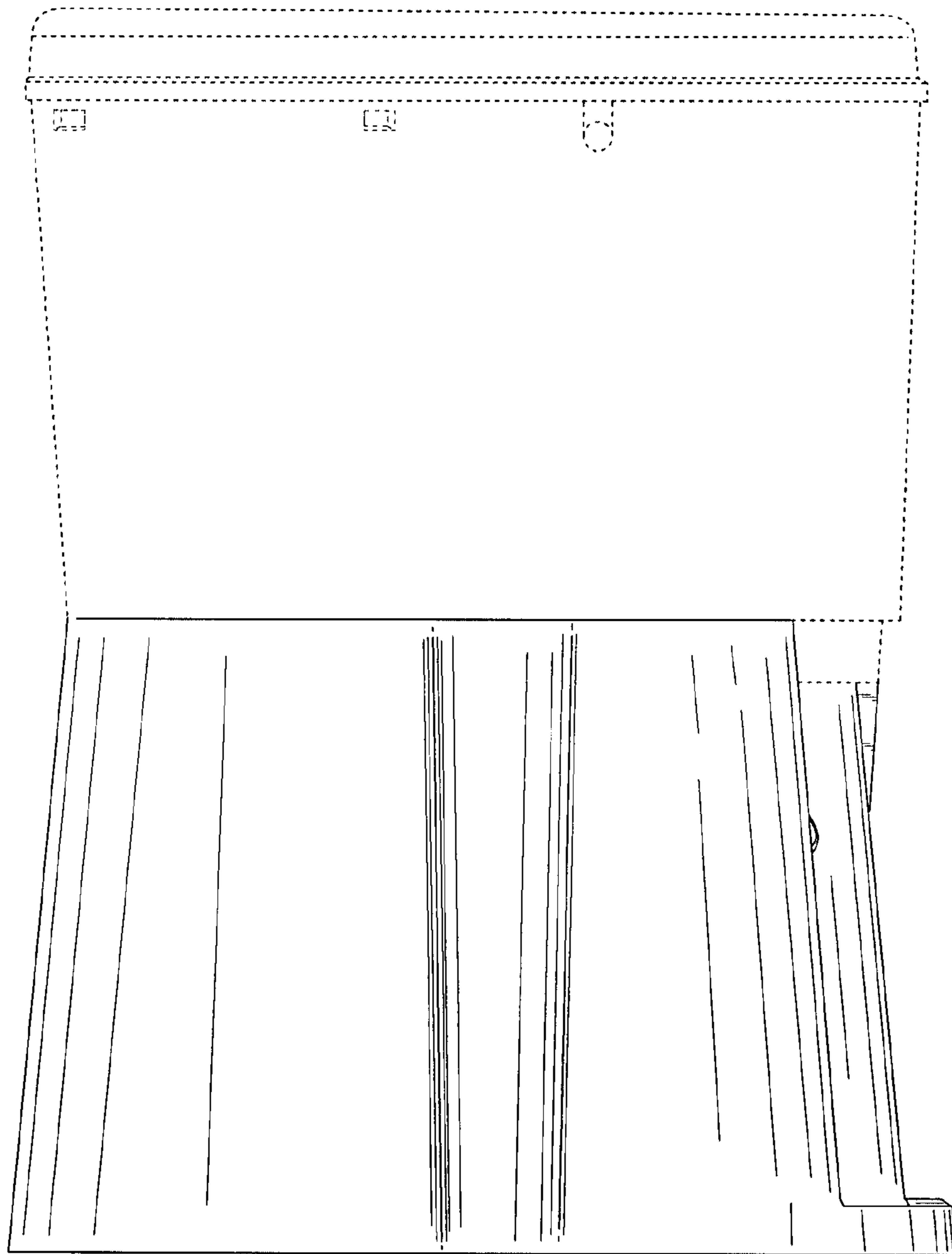


FIG. 5

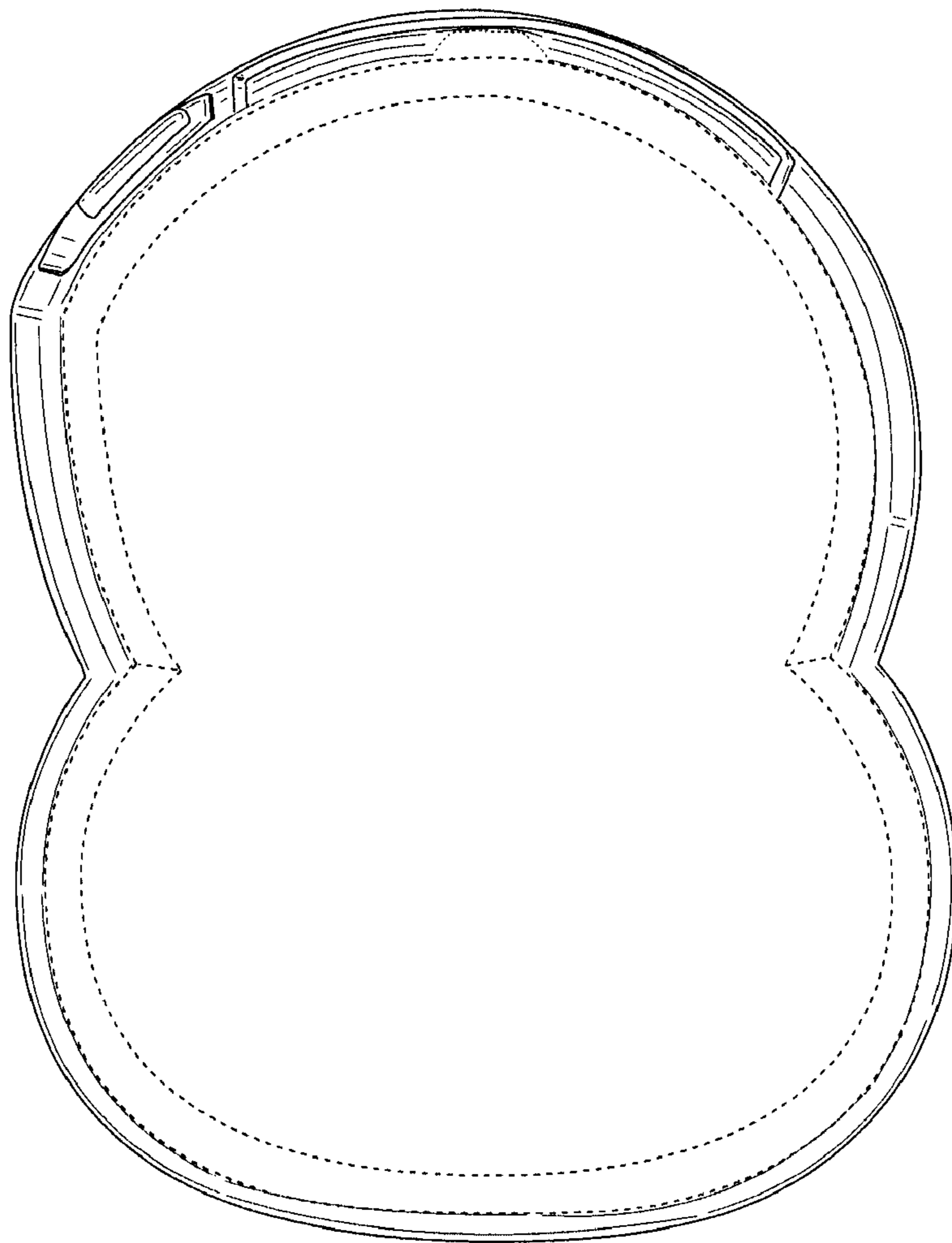


FIG. 6

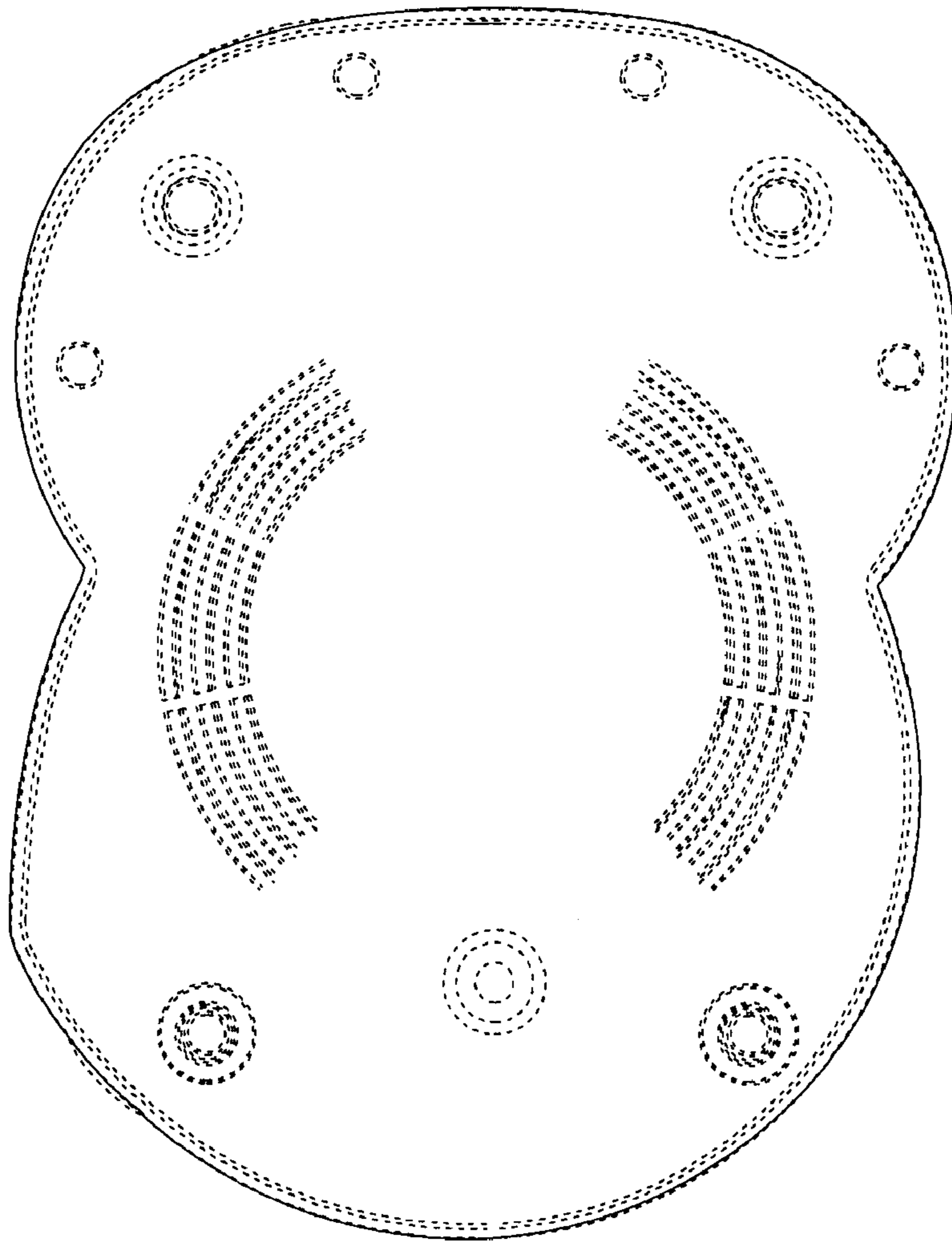


FIG. 7