



US00D549519S

(12) **United States Design Patent**
Moon et al.

(10) **Patent No.:** **US D549,519 S**

(45) **Date of Patent:** **** Aug. 28, 2007**

(54) **CONTAINER LID**

(75) Inventors: **Jaegu Moon**, Seoul (KR); **Jungkun Park**, Gwangju (KR)

(73) Assignees: **Jaegu Moon**, Seoul (KR); **Myoung Moon L.C. Co., Ltd.**, Seoul (KR)

(**) Term: **14 Years**

(21) Appl. No.: **29/217,521**

(22) Filed: **Nov. 18, 2004**

(51) **LOC (8) Cl.** **07-02**

(52) **U.S. Cl.** **D7/391**

(58) **Field of Classification Search** D7/317-319,
D7/391-392.1, 396.2, 510-511, 550.1, 601-602,
D7/629; D9/414, 418, 420-425, 428-430,
D9/435, 436, 440-454, 503-504; D3/273,
D3/274; 206/216, 457, 508, 541, 557, 822;
220/213, 351-376, 601, 669, 674, 675, 700-703,
220/711-715, 719, 783, 789, 790, 796, 797;
229/108, 114, 116.1, 120.14, 122.27, 406,
229/407, 902-906, 938; 426/106, 129, 130;
215/200, 211, 224, 243
See application file for complete search history.

(56) **References Cited**

U.S. PATENT DOCUMENTS

- 4,286,713 A * 9/1981 Marchais 206/508
- 4,625,885 A * 12/1986 Nichols 220/214
- D388,957 S * 1/1998 Wolff D3/323
- D452,374 S * 12/2001 Kim D3/302
- D455,321 S * 4/2002 Jung et al. D7/629
- D479,673 S * 9/2003 Kim D7/629
- D479,954 S * 9/2003 Kim D7/629
- D481,910 S * 11/2003 Kim D7/629
- D483,622 S * 12/2003 Kim D7/629

- D484,367 S * 12/2003 Kim D7/629
- D500,227 S * 12/2004 Seok D7/392.1
- D516,376 S * 3/2006 Kim D7/392.1
- D521,812 S * 5/2006 Kim D7/629

FOREIGN PATENT DOCUMENTS

- KR 30-0329809 7/2003
- KR 30-0332655 8/2003
- KR 30-0358265 7/2004
- KR 30-0364061 10/2004

* cited by examiner

Primary Examiner—Cathron C. Brooks

Assistant Examiner—Ricky Pham

(74) *Attorney, Agent, or Firm*—Jordan and Hamburg LLP

(57) **CLAIM**

The ornamental design for container lid, as shown and described.

DESCRIPTION

FIG. 1 is perspective view of a container lid according to the invention;

FIG. 2 is a top elevational view of the container lid shown in FIG. 1;

FIG. 3 is a cross-sectional view of the container lid shown in FIG. 2 along line 3—3;

FIG. 4 is a front elevational view of the container lid shown in FIG. 1, wherein a rear elevational view is identical to the front elevational view;

FIG. 5 is a left elevational view of the container lid shown in FIG. 1, wherein a right elevational view is identical to the left elevational view; and,

FIG. 6 is a bottom plan view of the container lid shown in FIG. 1.

1 Claim, 3 Drawing Sheets

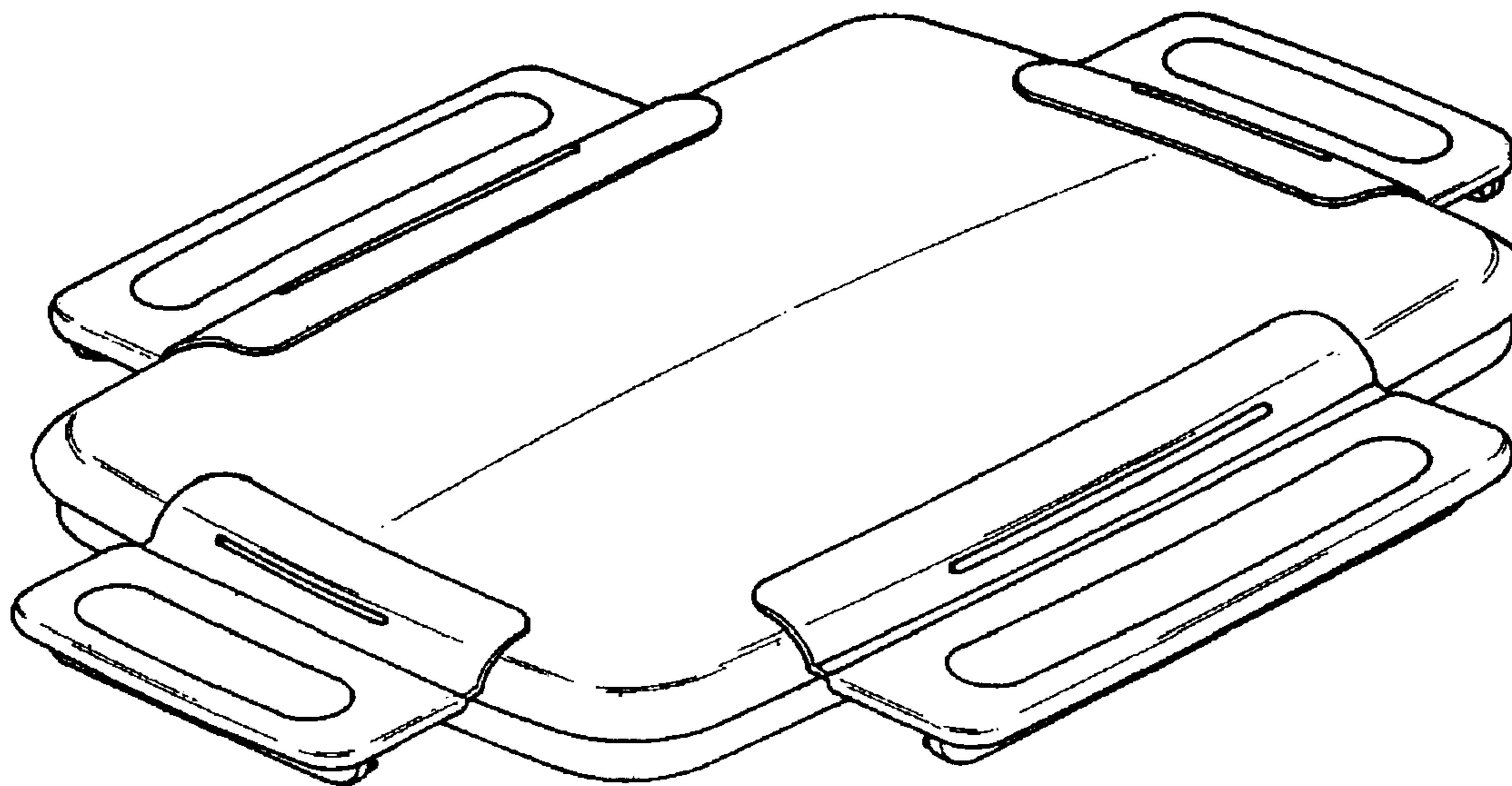


Fig. 1

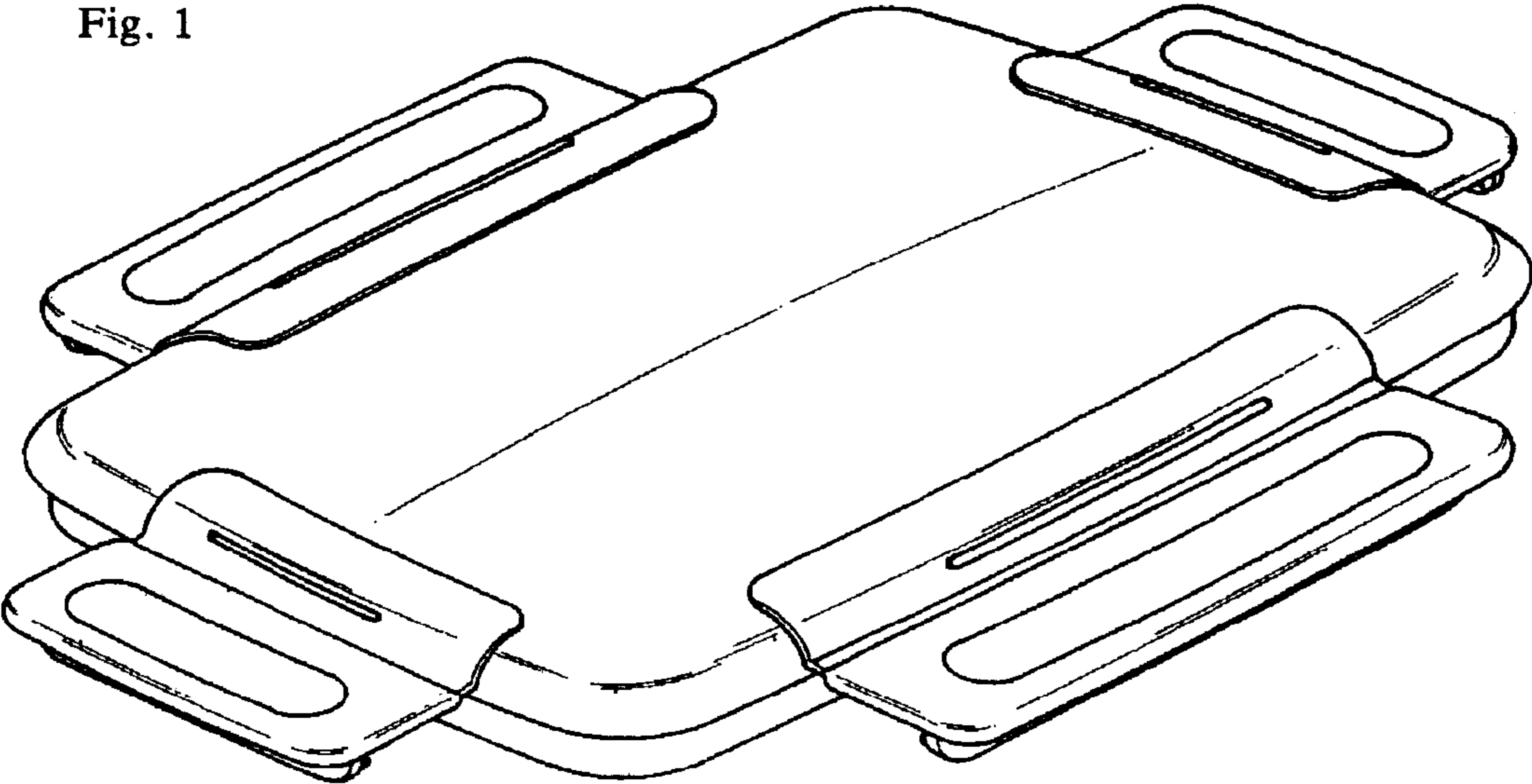


Fig. 4

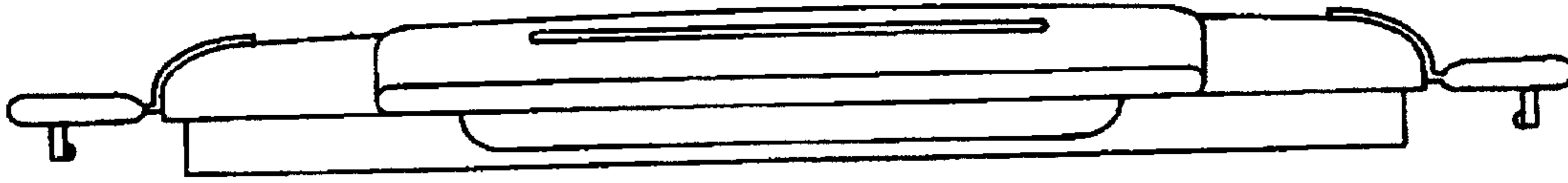


Fig. 5

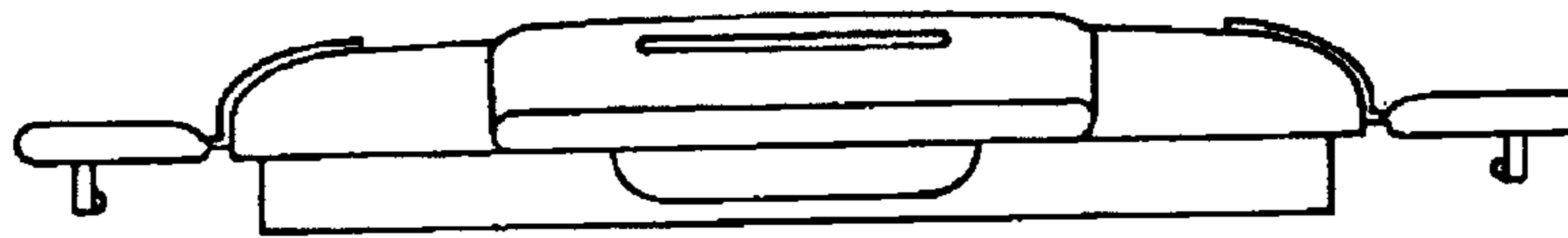


Fig. 2

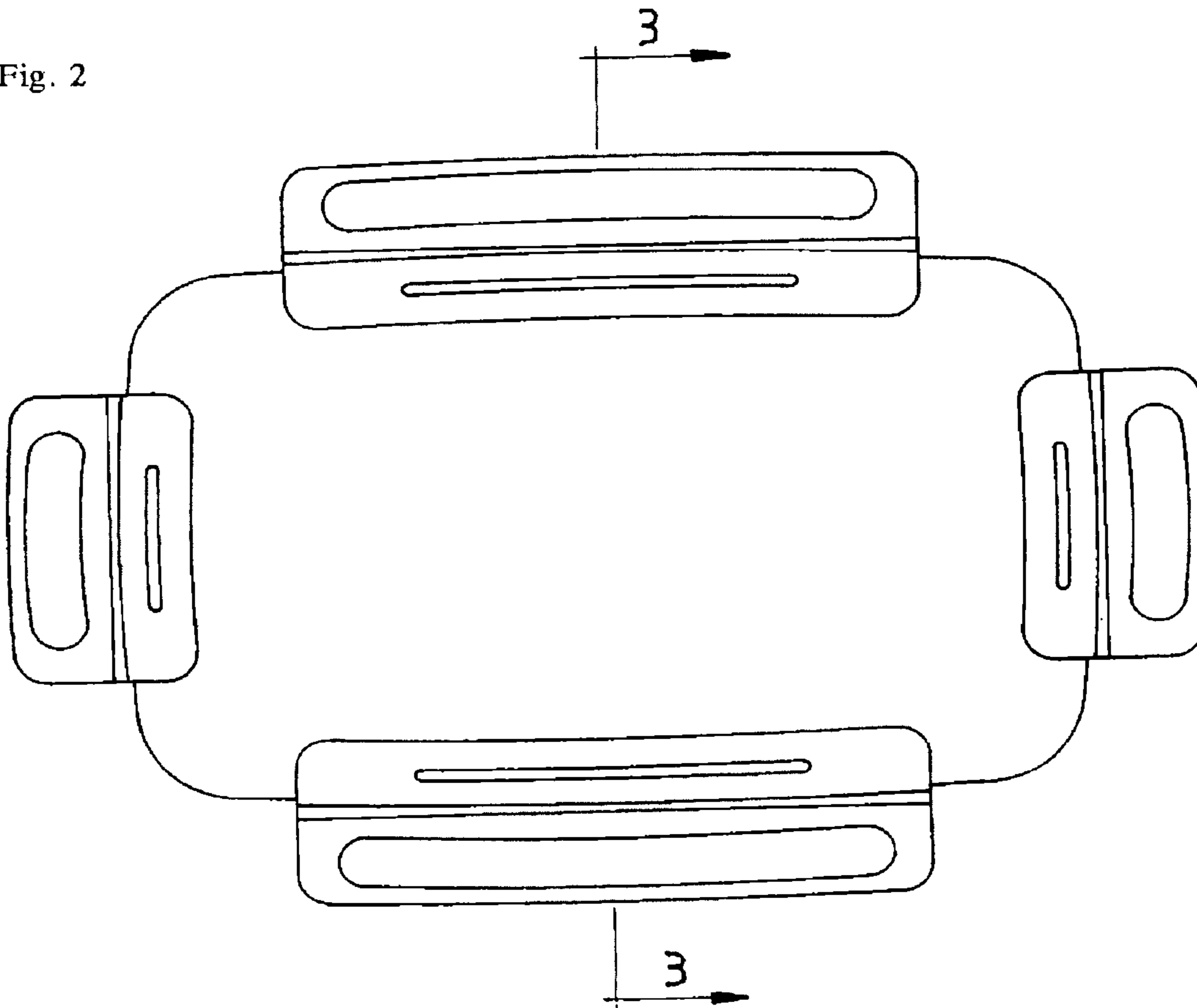


Fig. 6

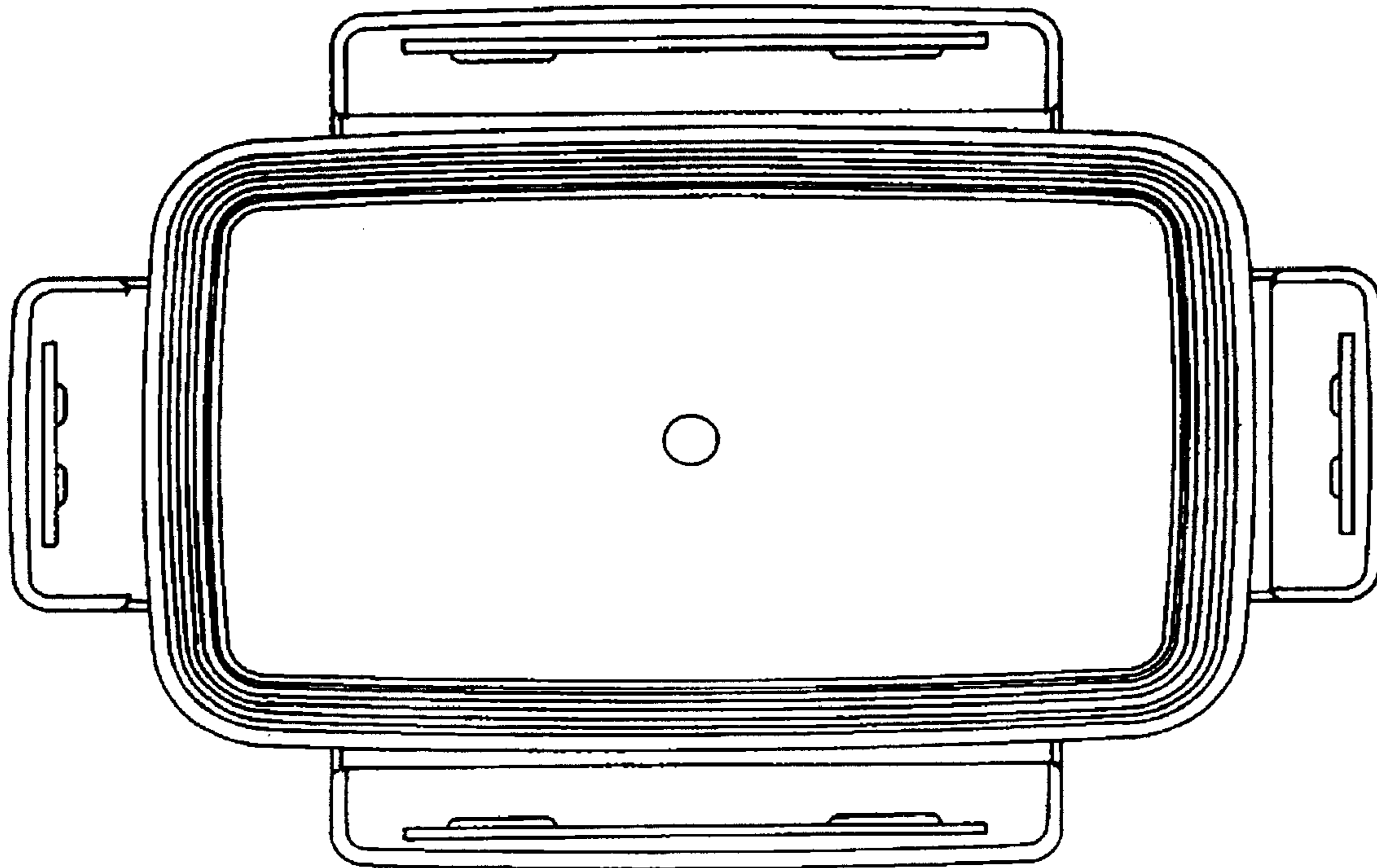


Fig. 3

