

US00D549517S

(12) **United States Design Patent** (10) **Patent No.:** **US D549,517 S**
Moran (45) **Date of Patent:** **** Aug. 28, 2007**

(54) **PRESSURE COOKER**

(75) Inventor: **Gevevieve P. Moran**, Hoboken, NJ
(US)

(73) Assignee: **Conair Corporation**, Stamford, CT
(US)

(**) Term: **14 Years**

(21) Appl. No.: **29/265,613**

(22) Filed: **Sep. 5, 2006**

(51) **LOC (8) Cl.** **07-02**

(52) **U.S. Cl.** **D7/358**

(58) **Field of Classification Search** D7/323,
D7/336, 338, 330-331, 350-367, 339, 347;
D21/525; 99/324-325, 329 R, 330-339;
219/438, 620-622; 220/203.01, 203.07,
220/303, 573.1

See application file for complete search history.

(56) **References Cited**

U.S. PATENT DOCUMENTS

- 3,801,331 A * 4/1974 Sano et al. 99/403
- D323,762 S * 2/1992 Barrault D7/354
- D323,954 S * 2/1992 Barrault D7/354
- D329,570 S * 9/1992 Gerlach D7/360
- D332,549 S * 1/1993 Gerlach D7/360
- D341,056 S * 11/1993 Powell D7/354
- D341,058 S * 11/1993 Slany et al. D7/360
- D345,485 S * 3/1994 Leung D7/360
- D345,886 S * 4/1994 Gingele D7/360
- D347,352 S * 5/1994 Myers et al. D7/354
- D347,963 S * 6/1994 Pretzsch D7/360
- D369,505 S * 5/1996 Philippe D7/354
- D370,381 S * 6/1996 Roussard D7/358
- D370,827 S * 6/1996 Combe D7/360

- D380,504 S * 7/1997 Yang D21/525
- D382,767 S * 8/1997 Lien D7/360
- D395,980 S * 7/1998 Boisselier D7/354
- D413,483 S * 9/1999 Roussard D7/358
- D445,298 S * 7/2001 DeBord et al. D7/360
- D476,191 S * 6/2003 Josancy D7/358
- D486,351 S * 2/2004 Lu et al. D7/354
- D486,352 S * 2/2004 Park D7/358
- D492,882 S * 7/2004 Liu D7/360
- 6,987,247 B2 * 1/2006 Schaffeld et al. 219/438
- D516,374 S * 3/2006 McLemore D7/360
- D533,014 S * 12/2006 Choi D7/354

* cited by examiner

Primary Examiner—Cathron C. Brooks

Assistant Examiner—Ricky Pham

(74) *Attorney, Agent, or Firm*—Lawrence Cruz

(57) **CLAIM**

The ornamental design for the pressure cooker, as shown and described.

DESCRIPTION

FIG. 1 is a perspective view of a pressure cooker showing my new design;

FIG. 2 is a front view thereof;

FIG. 3 is a right side view thereof;

FIG. 4 is a left side view thereof;

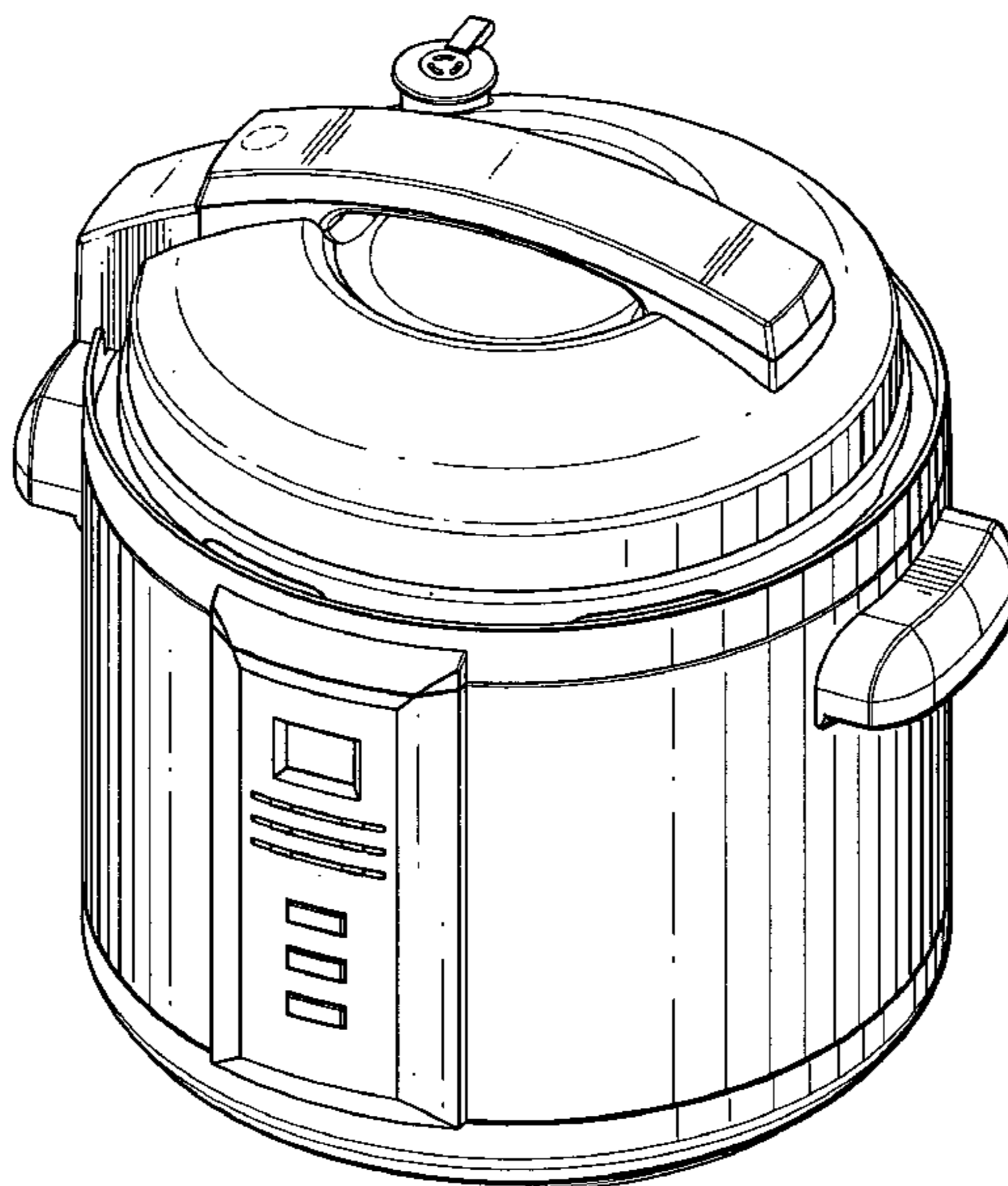
FIG. 5 is a rear view thereof;

FIG. 6 is a top view thereof; and,

FIG. 7 is a bottom view.

The broken lines are shown for illustrative purposes only and form no part of the claimed design.

1 Claim, 7 Drawing Sheets



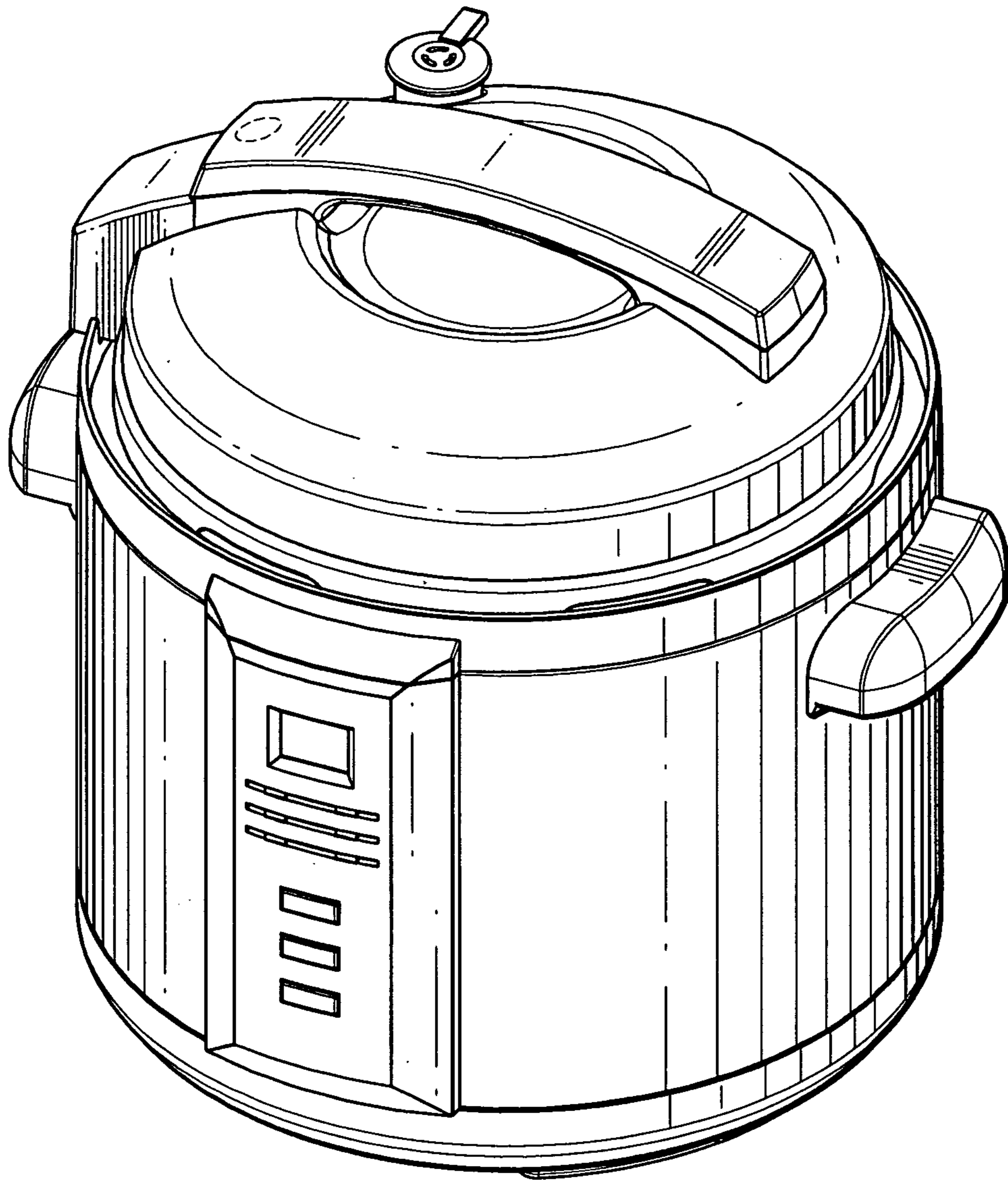


FIG. 1

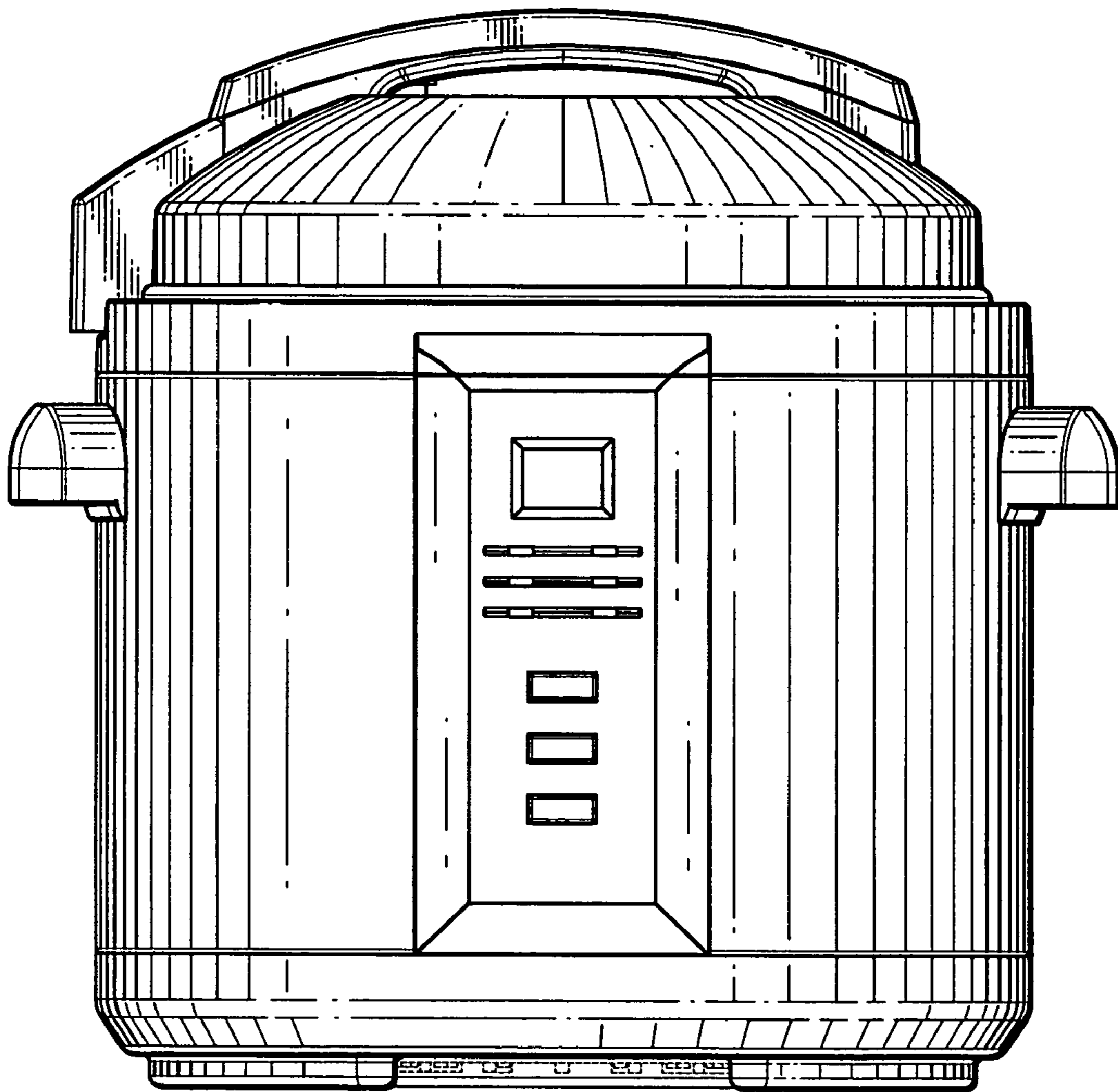


FIG. 2

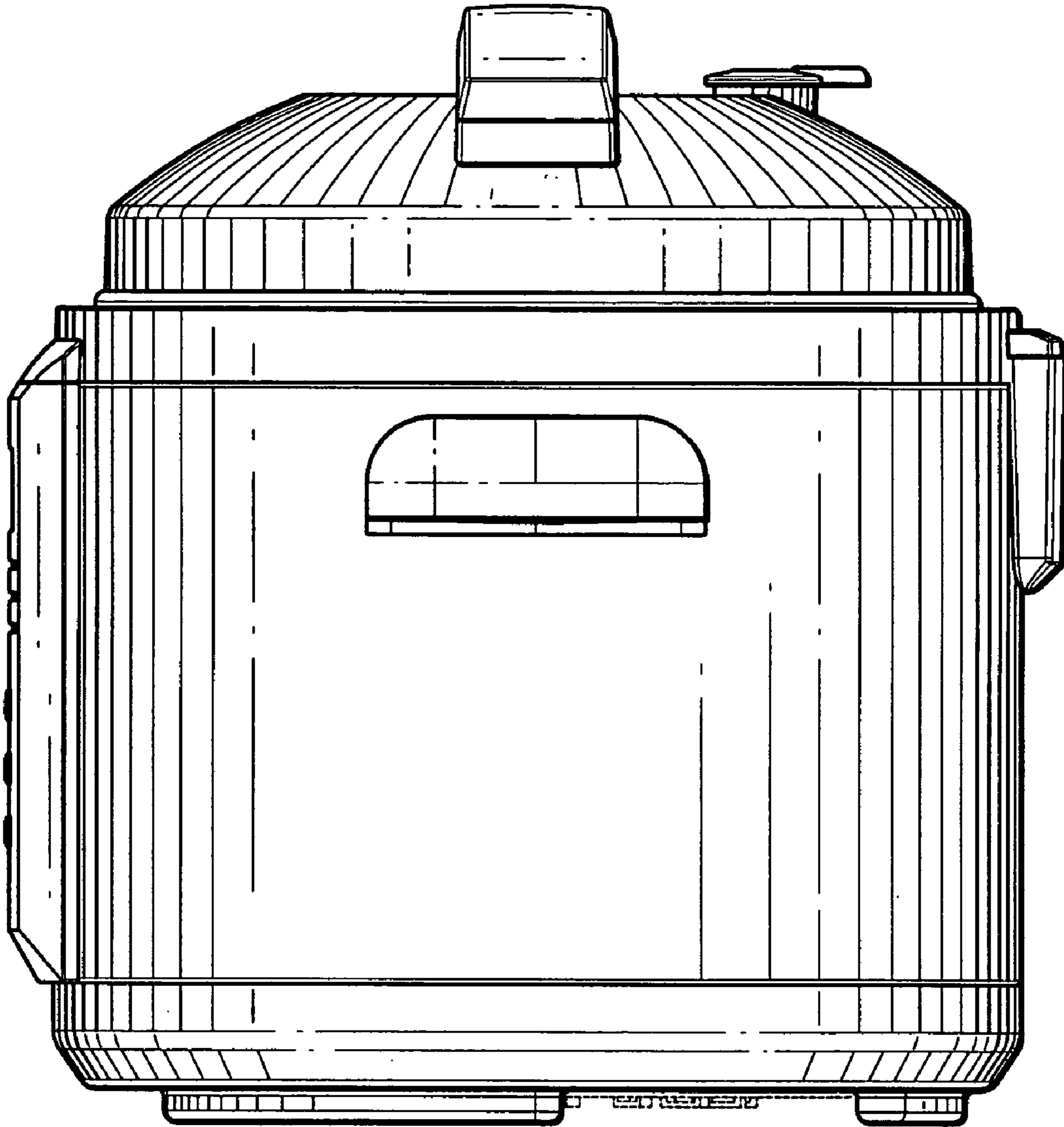


FIG. 3

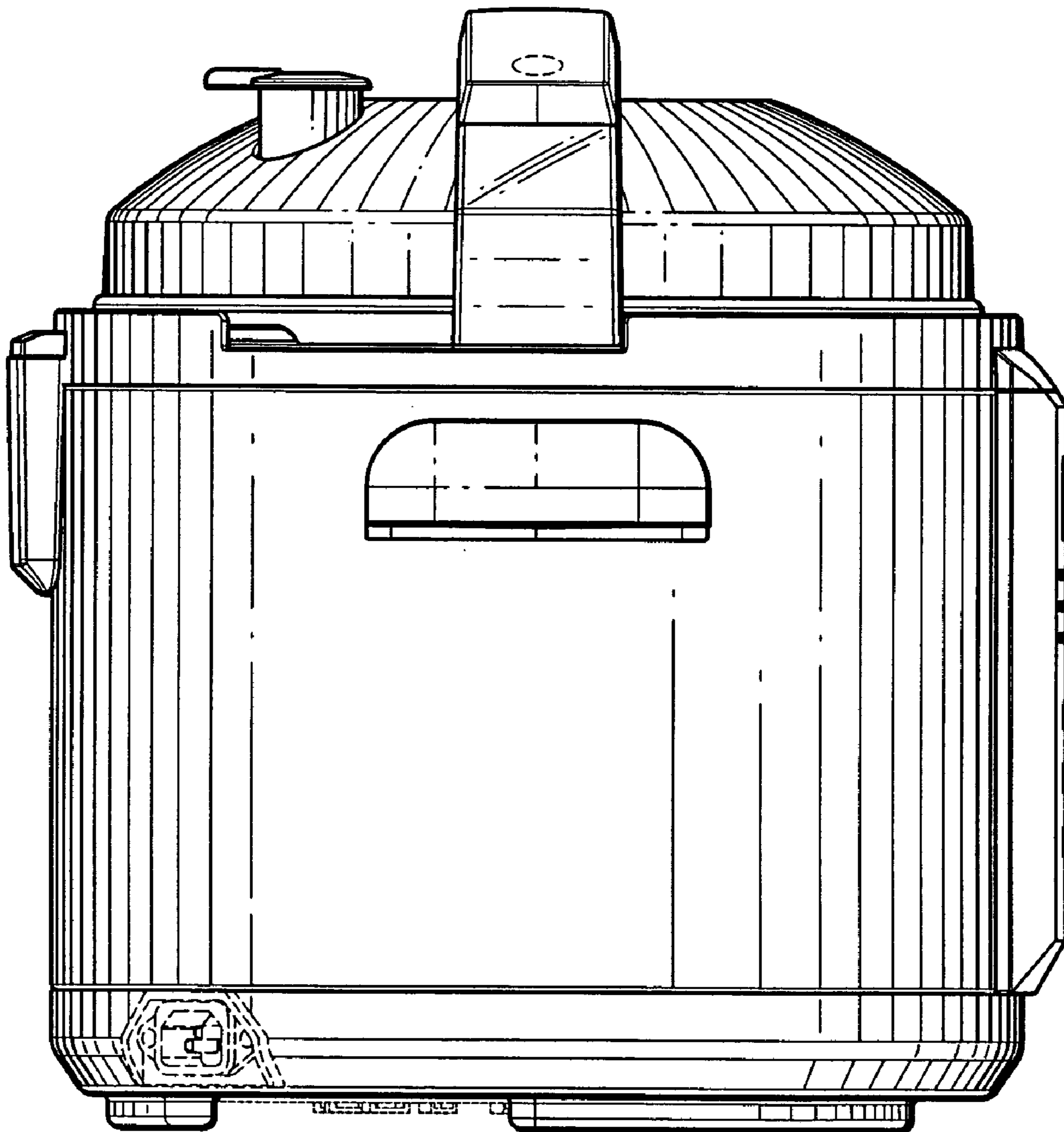


FIG. 4

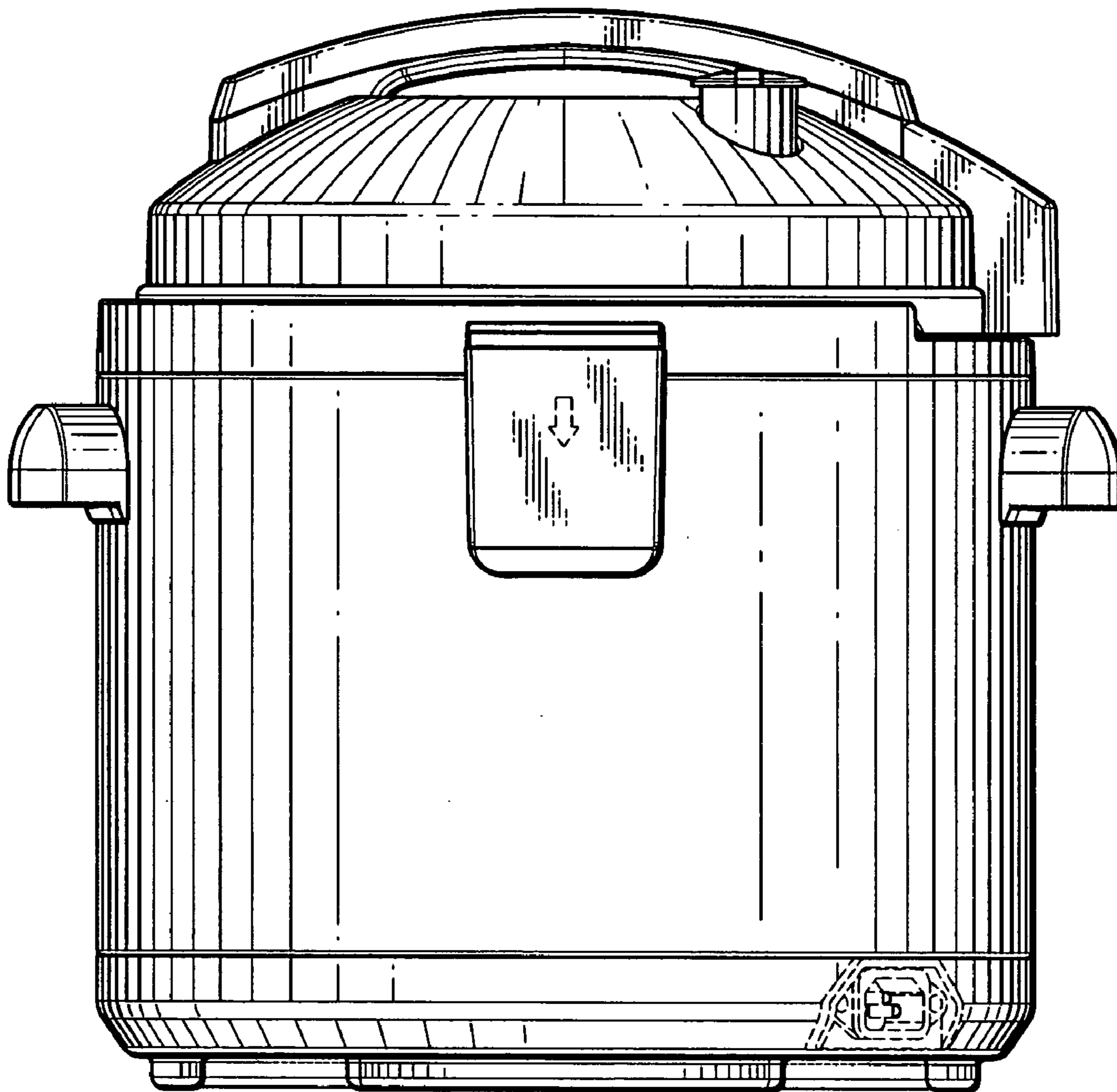


FIG. 5

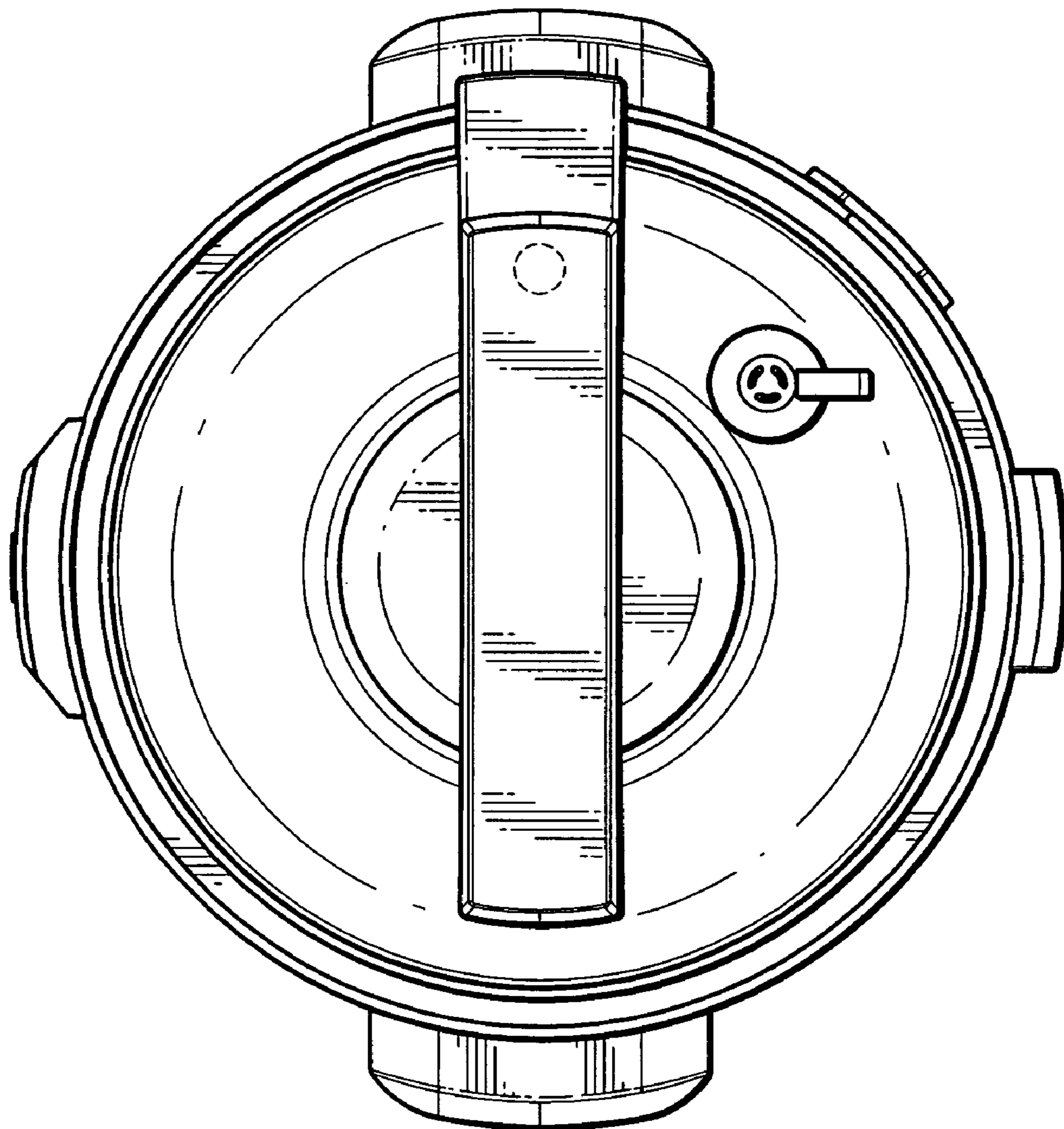


FIG. 6

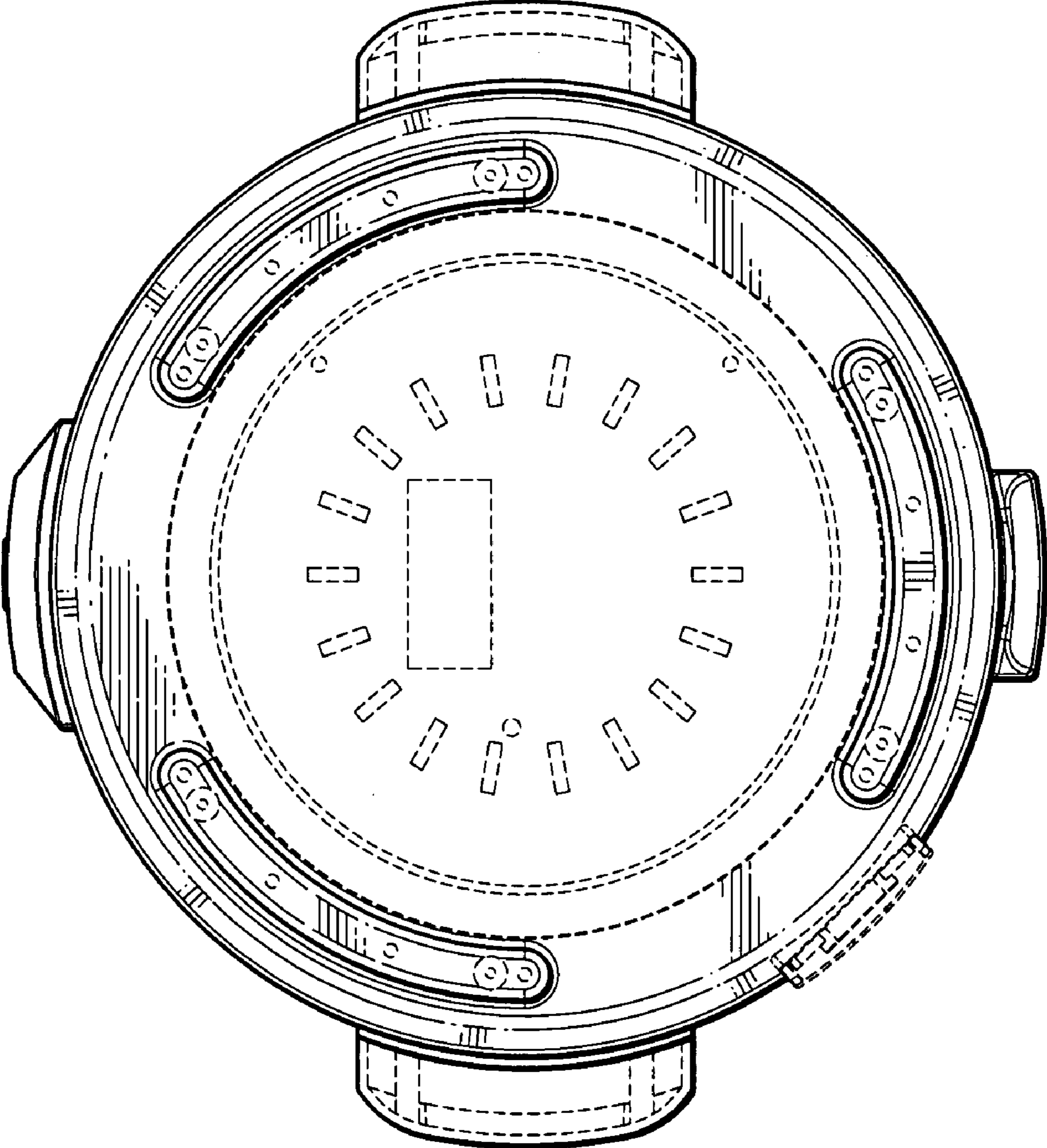


FIG. 7